



BRIGHTTEK
BRIGHTTEK (EUROPE) LIMITED

BRIGHTTEK

2016 Catalogue

- **SMD: Side View**

Side View

Side View

- 0602SV3-4
- 0802SV5
- 1204SV6-11
- 2812SV12
- 3812SV12

PCB Side View

0602SV (1606) 1.1t



Features:

- Side View
- Low Power LED
- Various Colour
- Compatible Package
- High Efficiency
- High Lumen Output
- Large Emitting Area

Applications:

- Commercial Lighting
- Decorative Lighting
- 3C Consumer Goods
- Light Strip
- Indication Lamp

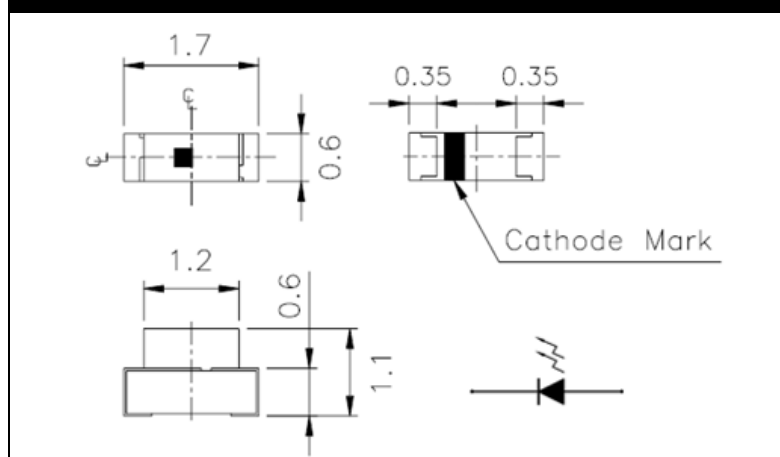
Electrical & Optical Characteristics (typ. at 5mA)

Order Code	Colour	CCT (K)	$2\theta_{1/2}$ (°)	I_V (mcd)	V_F (V)	I_F (mA)	I_{MAX} (mA)
N0W03S06SV	Sky White	6300-27100K	140	85	2.8	5	25

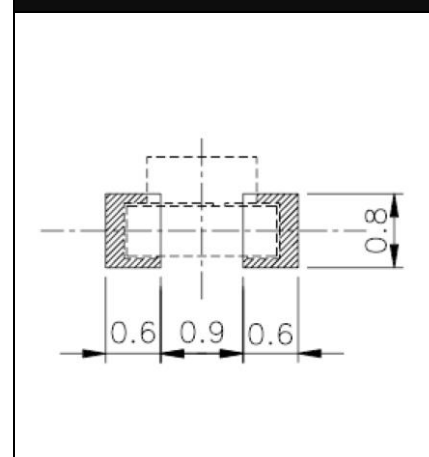
Colour Electrical & Optical Characteristics (typ. at 20mA)

Order Code	Colour	WL (nm)	$2\theta_{1/2}$ (°)	I_V (mcd)	V_F (V)	I_F (mA)	I_{MAX} (mA)
NOR03S04SV	Red ■	620-645nm	130	45	2.0	20	25
NOR03S07SV	Red ■	620-634nm	140	85	2.2	20	30
NOA03S05SV	Amber ■	605-613nm	130	50	2.1	20	25
NOY03S08SV	Yellow ■	585-595nm	130	85	2.1	20	25
NOG03S01SV	Green ■	568-576nm	130	30	2.0	20	25
NOG03S03SV	Green ■	520-535nm	130	200	3.2	20	25
NOB03S02SV	Blue ■	465-477nm	130	50	3.2	20	25

Package Dimensions (mm)



Recommended Solder Pattern



PCB Side View

0602SV (1606) 1.2t



Features:

- Side View
- Low Power LED
- Various Colour
- Compatible Package
- High Efficiency
- High Lumen Output
- Large Emitting Area

Applications:

- Commercial Lighting
- Decorative Lighting
- 3C Consumer Goods
- Light Strip
- Indication Lamp

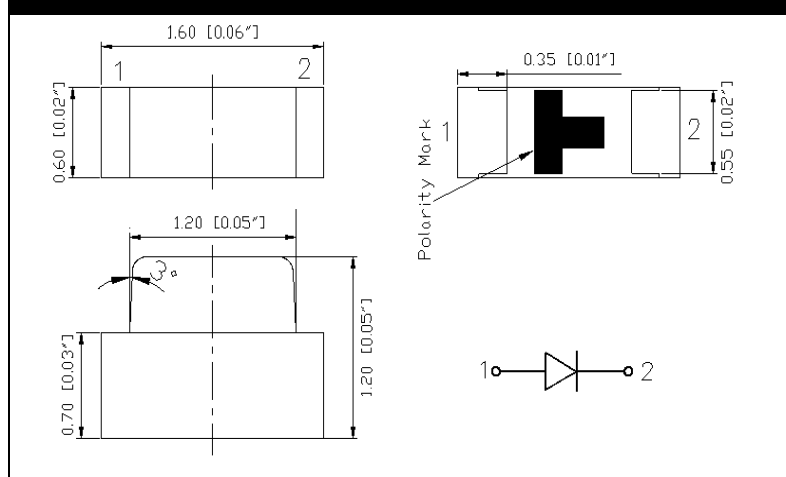
Electrical & Optical Characteristics (typ. at 20mA)

Order Code	Colour	CCT (K)	$2\theta_{1/2}$ (°)	I_V (mcd)	V_F (V)	I_F (mA)	I_{MAX} (mA)
N0W19S86SV	Sky White	5600-29500K	140	250	3.1	20	30

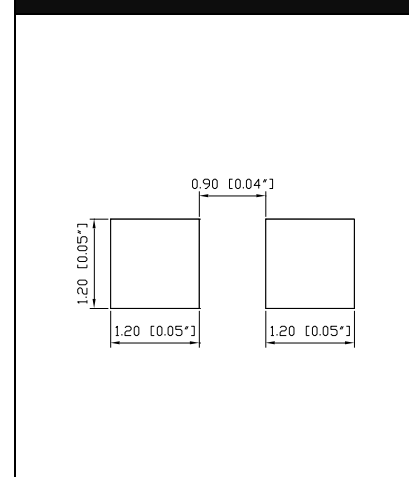
Colour Electrical & Optical Characteristics (typ. at 20mA)

Order Code	Colour	WL (nm)	$2\theta_{1/2}$ (°)	I_V (mcd)	V_F (V)	I_F (mA)	I_{MAX} (mA)
NOR19S85SV	Red	615-630nm	140	130	2.0	20	30
NOA19S81SV	Amber	600-610nm	140	165	2.0	20	30
NOY19S87SV	Yellow	585-595nm	140	150	2.0	20	30
NOG19S83SV	Green	565-576nm	140	35	2.0	20	30
NOG19S84SV	Green	520-530nm	140	590	3.3	20	30
NOB19S82SV	Blue	460-470nm	140	112	3.3	20	30

Package Dimensions (mm)



Recommended Solder Pattern



PCB Side View

0802SV (2106)



Features:

- Side View
- Low Power LED
- Various Colour
- Compatible Package
- High Efficiency
- High Lumen Output
- Large Emitting Area

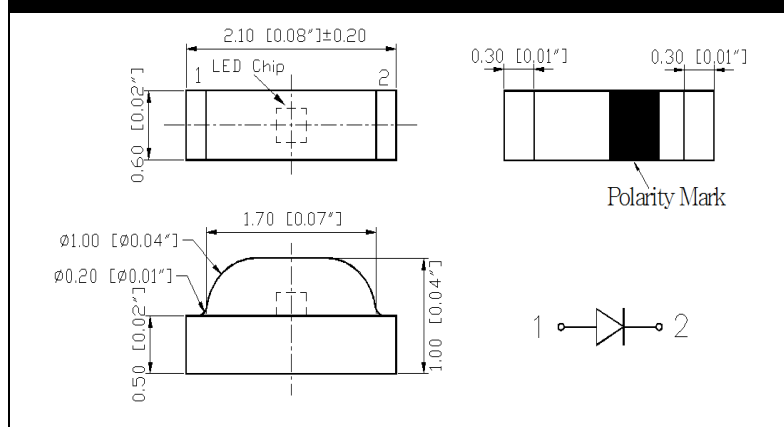
Applications:

- Commercial Lighting
- Decorative Lighting
- 3C Consumer Goods
- Light Strip
- Indication Lamp

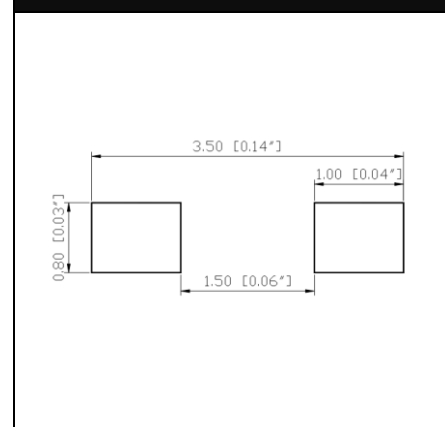
Colour Electrical & Optical Characteristics (typ. at 20mA)

Order Code	Colour	WL (nm)	$2\theta_{1/2}$ (°)	I_V (mcd)	V_F (V)	I_F (mA)	I_{MAX} (mA)
NOR11S66SV	Red ■	625-635nm	150	85	2.1	20	30
NOR11S65SV	Red ■	615-630nm	150	140	2.0	20	30
NOY11S67SV	Yellow ■	585-595nm	150	55	2.0	20	30
N0G11S64SV	Green ■	565-576nm	150	40	2.0	20	30
N0B11S63SV	Blue ■	460-470nm	150	60	3.3	20	30

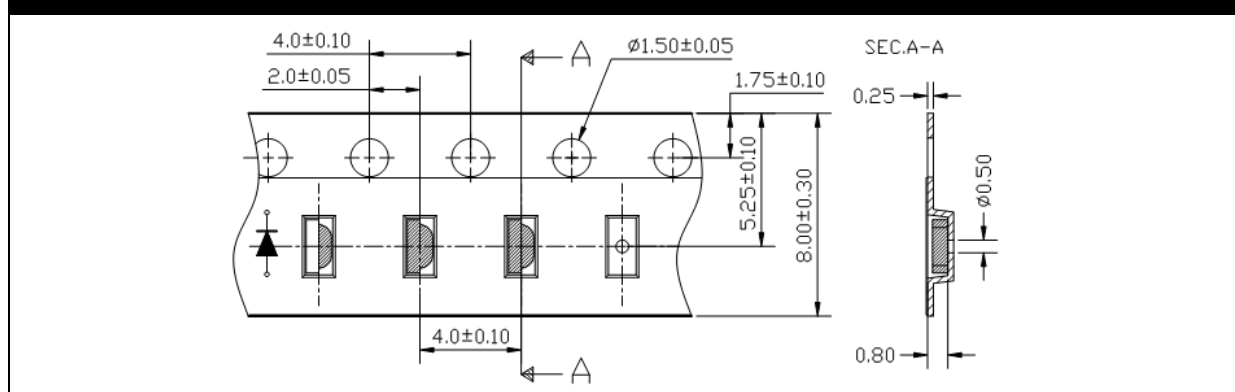
Package Dimensions (mm)



Recommended Solder Pattern



Packing Dimensions (mm)



PCB Side View

1204SV (3210) 1.4t



Features:

- Side View
- Low Power LED
- Various Colour
- Compatible Package
- High Efficiency
- High Lumen Output
- Large Emitting Area

Applications:

- Commercial Lighting
- Decorative Lighting
- 3C Consumer Goods
- Light Strip
- Indication Lamp

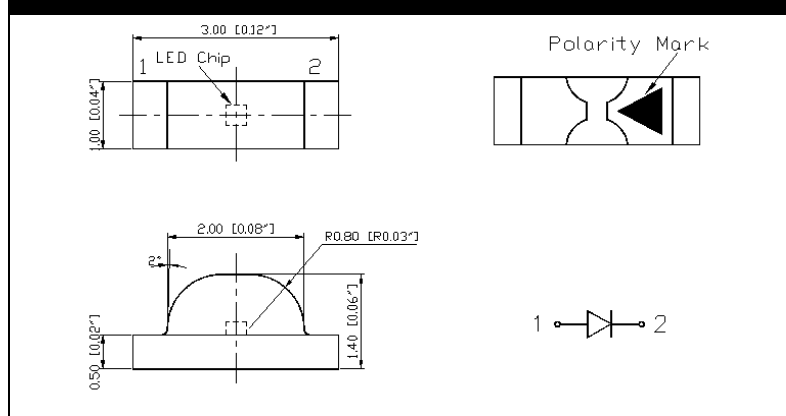
Electrical & Optical Characteristics (typ. at 20mA)

Order Code	Colour	CCT (K)	$2\theta_{1/2}$ (°)	I_V (mcd)	V_F (V)	I_F (mA)	I_{MAX} (mA)
N0W12S35SV	Sky White	5600-46500K	150	255	3.1	20	30

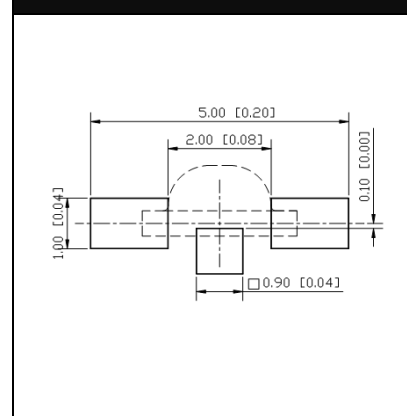
Colour Electrical & Optical Characteristics (typ. at 20mA)

Order Code	Colour	WL (nm)	$2\theta_{1/2}$ (°)	I_V (mcd)	V_F (V)	I_F (mA)	I_{MAX} (mA)
NOR12S34SV	Red ■	625-635nm	150	85	2.0	20	30
NOR17S88SV	Red ■	625-635nm	150	95	2.0	20	30
NOR12S33SV	Red ■	620-630nm	150	65	2.0	20	30
N0Y12S36SV	Yellow ■	585-595nm	150	110	2.0	20	30
N0G12S32SV	Green ■	565-576nm	150	35	2.0	20	30
N0B12S31SV	Blue ■	460-470nm	150	65	3.1	20	30

Package Dimensions (mm)



Recommended Solder Pattern



PCB Side View

1204SV (3210) 1.4t



Features:

- Side View
- Low Power LED
- Various Colour
- Compatible Package
- High Efficiency
- High Lumen Output
- Large Emitting Area

Applications:

- Commercial Lighting
- Decorative Lighting
- 3C Consumer Goods
- Light Strip
- Indication Lamp

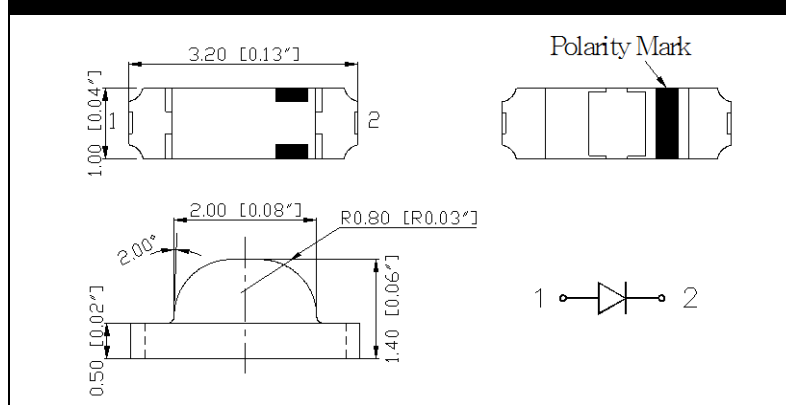
Electrical & Optical Characteristics (typ. at 20mA)

Order Code	Colour	CCT (K)	$2\theta_{1/2}$ (°)	I_V (mcd)	V_F (V)	I_F (mA)	I_{MAX} (mA)
NOW11S78SV	Sky White	5600-46500K	150	260	3.2	20	30

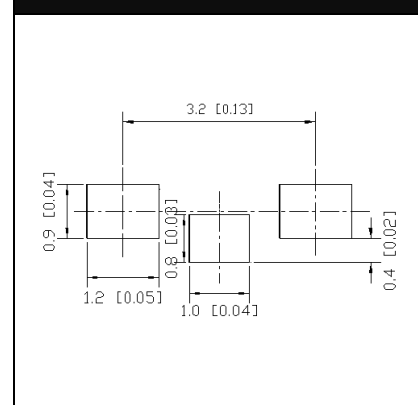
Colour Electrical & Optical Characteristics (typ. at 20mA)

Order Code	Colour	WL (nm)	$2\theta_{1/2}$ (°)	I_V (mcd)	V_F (V)	I_F (mA)	I_{MAX} (mA)
NOR11S77SV	Red ■	625-635nm	150	85	2.0	20	30
NOR11S76SV	Red ■	615-630nm	150	142	2.0	20	30
NOY11S79SV	Yellow ■	585-595nm	150	110	2.0	20	30
NOG11S74SV	Green ■	565-576nm	150	40	2.0	20	30
NOG11S75SV	Green ■	520-530nm	150	370	3.2	20	30

Package Dimensions (mm)



Recommended Solder Pattern



PCB Side View

1204SV (3210) 1.5t



Features:

- Side View
- Low Power LED
- Various Colour
- Compatible Package
- High Efficiency
- High Lumen Output
- Large Emitting Area

Applications:

- Commercial Lighting
- Decorative Lighting
- 3C Consumer Goods
- Light Strip
- Indication Lamp

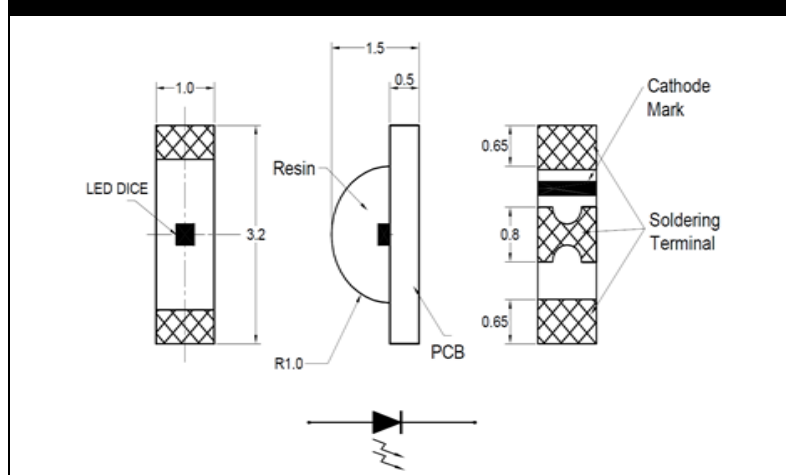
Electrical & Optical Characteristics (typ. at 20mA)

Order Code	Colour	CCT (K)	$2\theta_{1/2}$ (°)	I_V (mcd)	V_F (V)	I_F (mA)	I_{MAX} (mA)
N0W02S83SV	Sky White	4800-6400K	178	350	3.2	20	25

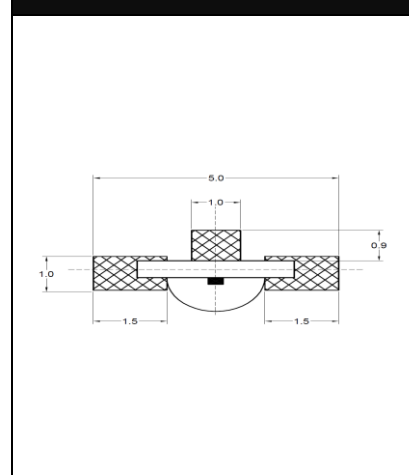
Colour Electrical & Optical Characteristics (typ. at 20mA)

Order Code	Colour	WL (nm)	$2\theta_{1/2}$ (°)	I_V (mcd)	V_F (V)	I_F (mA)	I_{MAX} (mA)
NOR06S36SV	Red ■	620-650nm	110	125	1.9	20	30
NOR02S79SV	Red ■	620-636nm	120	80	2.1	20	30
NOA02S74SV	Amber ■	595-610nm	130	150	2.2	20	30
NOY02S81SV	Yellow ■	590-600nm	120	125	2.2	20	30
NOY06S37SV	Yellow ■	585-595nm	130	60	2.0	20	25
NOG02S75SV	Green ■	570-576nm	120	50	2.2	20	30
NOG02S77SV	Green ■	520-534nm	120	500	3.2	20	30
NOB02S76SV	Blue ■	465-475nm	120	125	3.2	20	30

Package Dimensions (mm)



Recommended Solder Pattern



PCB Side View

1204SV (3210) 2.0t



Features:

- Side View
- Low Power LED
- Various Colour
- Compatible Package
- High Efficiency
- High Lumen Output
- Large Emitting Area

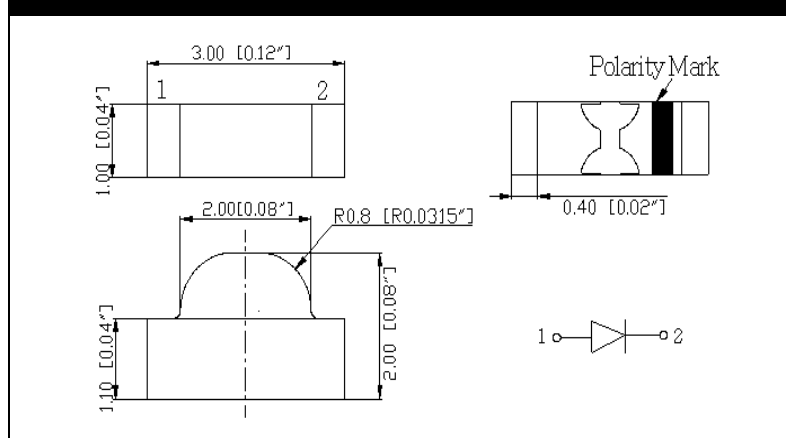
Applications:

- Commercial Lighting
- Decorative Lighting
- 3C Consumer Goods
- Light Strip
- Indication Lamp

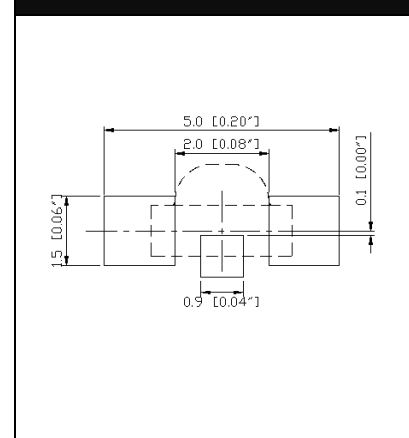
Colour Electrical & Optical Characteristics (typ. at 20mA)

Order Code	Colour	WL (nm)	$2\theta_{1/2}$ (°)	I_V (mcd)	V_F (V)	I_F (mA)	I_{MAX} (mA)
NOR11S72SV	Red ■	625-635nm	150	85	2.0	20	30
NOR11S71SV	Red ■	615-630nm	150	140	2.1	20	30
NOY11S73SV	Yellow ■	585-595nm	150	170	2.1	20	30
NOG11S69SV	Green ■	565-576nm	150	40	2.0	20	30
NOG11S70SV	Green ■	520-530nm	150	370	3.2	20	30
NOB11S68SV	Blue ■	465-475nm	150	100	3.3	20	30

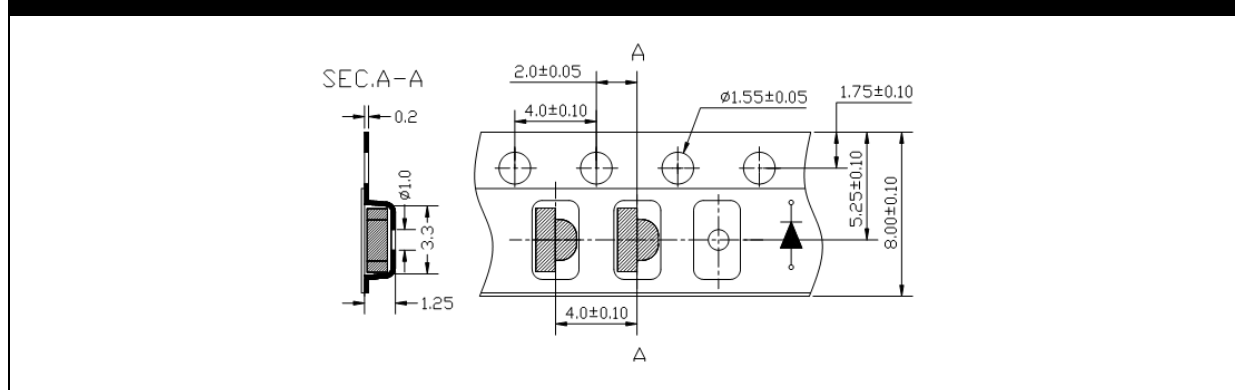
Package Dimensions (mm)



Recommended Solder Pattern



Packing Dimensions (mm)



PCB Side View

1204SV (3210) Dual Colours / RGB



Features:

- Side View
- Low Power LED
- Dual Colours / RGB
- Compatible Package
- High Efficiency
- High Lumen Output
- Large Emitting Area

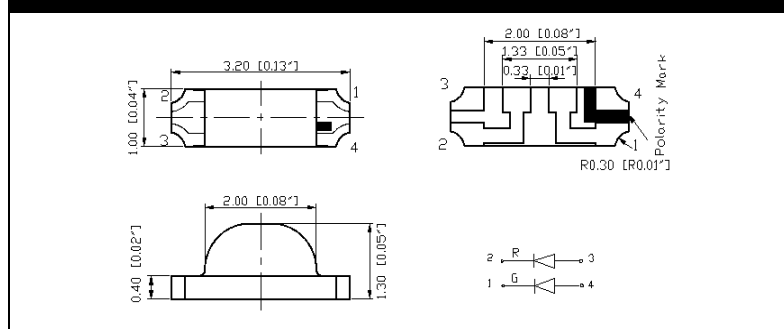
Applications:

- Commercial Lighting
- Decorative Lighting
- 3C Consumer Goods
- Light Strip
- Indication Lamp

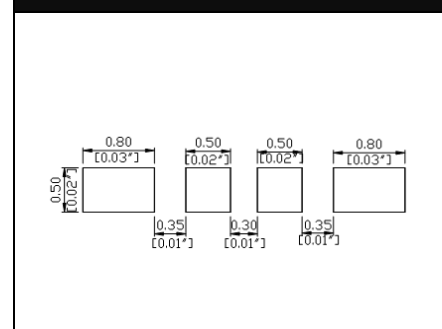
Colour Electrical & Optical Characteristics (typ. at 20mA)

Order Code	Colour	CCT (K) / WL (nm)	$2\theta_{1/2}$ (°)	I_V (mcd)	V_F (V)	I_F (mA)
N0D11S42SV	Red/Green	630/570nm	150	110/35	2.0/2.0	20/20
N0D11S44SV	Red/Yellow	640/590nm	150	85/170	2.0/2.0	20/20
N0D11S43SV	Yellow/Green	590/570nm	150	160/45	2.0/2.0	20/20

Package Dimensions (mm)



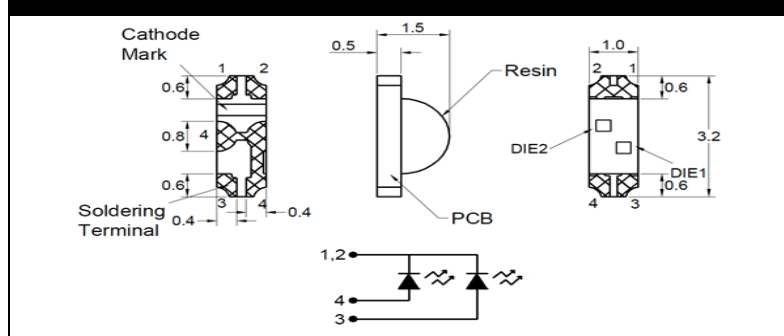
Recommended Solder Pattern



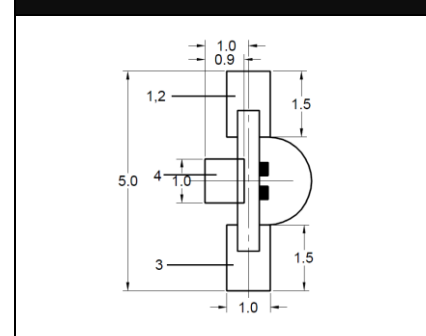
Colour Electrical & Optical Characteristics (typ. at 20mA)

Order Code	Colour	CCT (K) / WL (nm)	$2\theta_{1/2}$ (°)	I_V (mcd)	V_F (V)	I_F (mA)
N0D02S78SV	Red/Green	630/573nm	120	70/40	2.1/2.2	20/20
N0D02S80SV	Red/Blue	630/470nm	120	70/50	2.1/3.5	20/20
N0D23S19SV	Sky White/Amber	10900K/605nm	120	380/170	3.2/2.1	20/20
N0D23S20SV	Sky White/Yellow	10500K/590nm	120	350/80	3.2/2.1	20/20

Package Dimensions (mm)



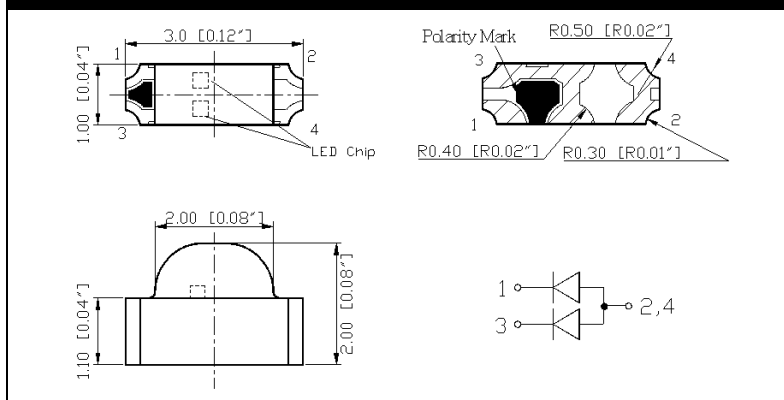
Recommended Solder Pattern



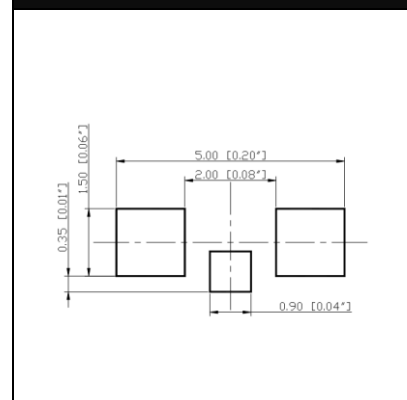
Colour Electrical & Optical Characteristics (typ. at 20mA)

Order Code	Colour	CCT (K) / WL (nm)	2 $\theta_{1/2}$ (°)	I _V (mcd)	V _F (V)	I _F (mA)
N0D11S95SV	Amber/Blue	605/465nm	150	195/80	2.0/3.2	20/20
N0D11S94SV	Red/Green	640/520nm	150	75/500	2.0/3.3	20/20
N0D11S96SV	Red/Green	620/525nm	150	190/570	2.0/3.1	20/20
N0D11S97SV	Red/Green	620/570nm	150	90/40	2.0/2.0	20/20

Package Dimensions (mm)



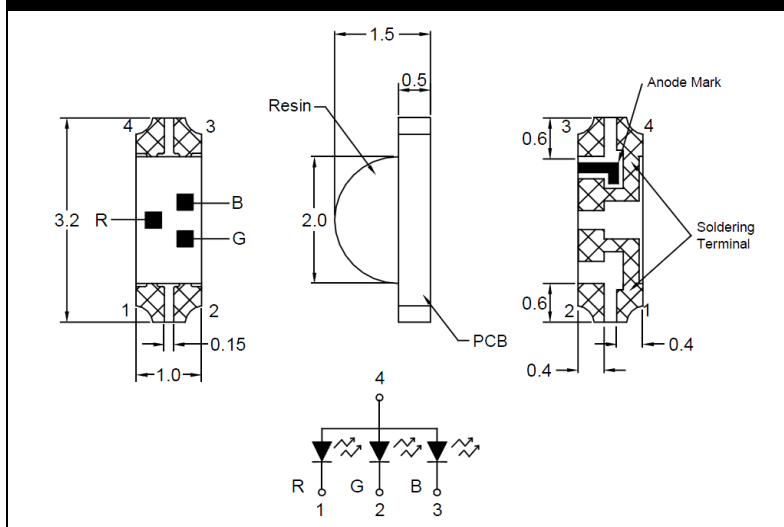
Recommended Solder Pattern



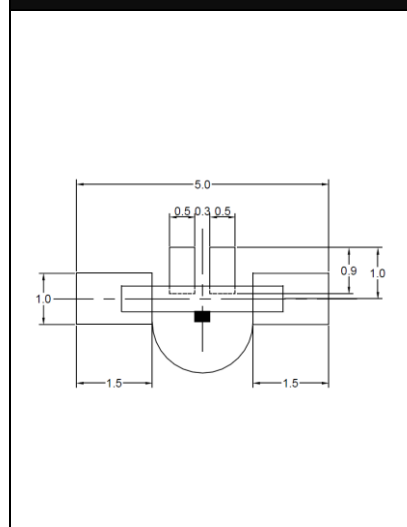
Colour Electrical & Optical Characteristics (typ. at 20mA)

Order Code	Colour	WL (nm)	2 $\theta_{1/2}$ (°)	I _V (mcd)	V _F (V)	I _F (mA)
N0M02S82SV	Red/Green/Blue	630/525/470nm	120	150/550/150	2.0/3.2/3.2	20/20/20

Package Dimensions (mm)



Recommended Solder Pattern



PLCC Side View

2812SV



Features:

- Side View
- Low Power LED
- Various Colour
- Compatible Package
- High Efficiency
- High Lumen Output
- Large Emitting Area

Applications:

- Commercial Lighting
- Decorative Lighting
- 3C Consumer Goods
- Light Strip
- Indication Lamp

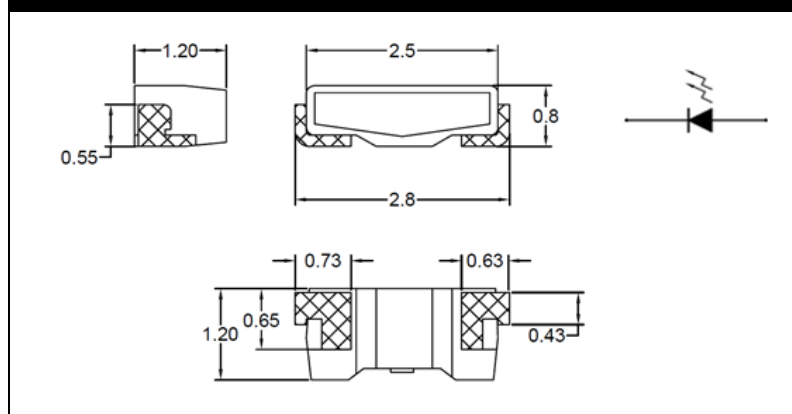
Electrical & Optical Characteristics (typ. at 20mA)

Order Code	Colour	CCT (K)	$2\theta_{1/2}$ (°)	I_V (mcd)	V_F (V)	I_F (mA)	I_{MAX} (mA)
N0W02S69SV	Cool White	5600-7300K	115	1900	3.2	20	30
N0W18S89SV	Cool White	5600-7300K	115	1900	3.2	20	30

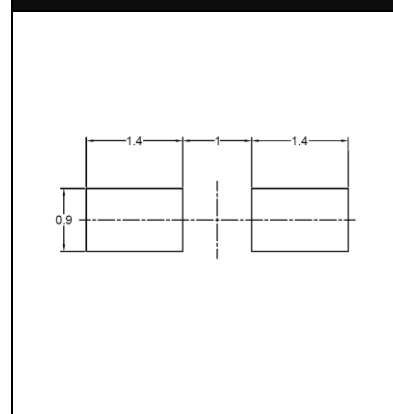
Colour Electrical & Optical Characteristics (typ. at 20mA)

Order Code	Colour	WL (nm)	$2\theta_{1/2}$ (°)	I_V (mcd)	V_F (V)	I_F (mA)	I_{MAX} (mA)
N0R02S68SV	Red	620-636nm	115	80	2	20	30
N0Y23S16SV	Yellow	580-600nm	115	500	2.1	20	30
N0Y23S12SV	Yellow	580-600nm	115	70	2.1	20	30
N0G14S23SV	Green	519-528nm	115	1600	3.2	20	30
N0B02S67SV	Blue	465-477nm	115	260	3.2	20	30

Package Dimensions (mm)



Recommended Solder Pattern



PLCC Side View

3812SV



Features:

- Side View
- Low Power LED
- Various Colour
- Compatible Package
- High Efficiency
- High Lumen Output
- Large Emitting Area

Applications:

- Commercial Lighting
- Decorative Lighting
- 3C Consumer Goods
- Light Strip
- Indication Lamp

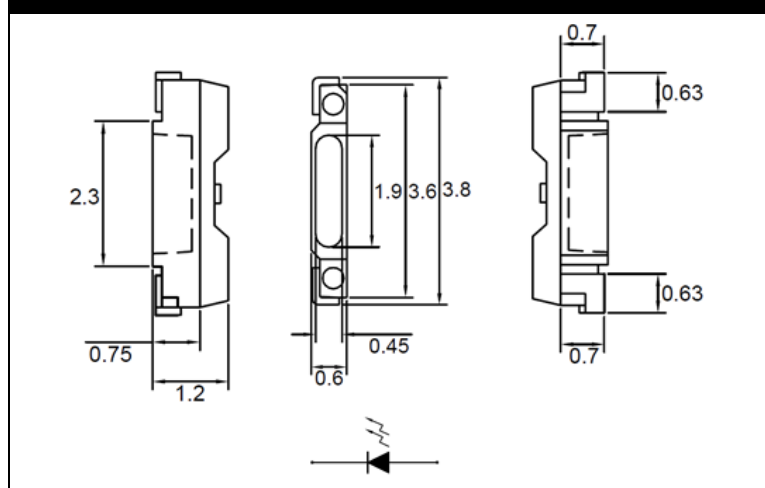
Electrical & Optical Characteristics (typ. at 20mA)

Order Code	Colour	CCT (K)	$2\theta_{1/2}$ (°)	I_V (mcd)	V_F (V)	I_F (mA)	I_{MAX} (mA)
N0W01S85SV	Cool White	6000-9800K	110	1500	3.2	20	30

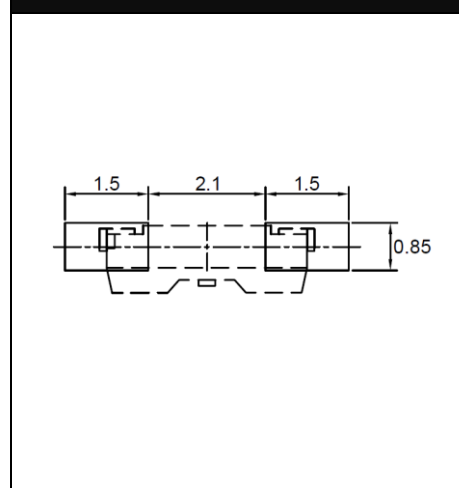
Colour Electrical & Optical Characteristics (typ. at 20mA)

Order Code	Colour	WL (nm)	$2\theta_{1/2}$ (°)	I_V (mcd)	V_F (V)	I_F (mA)	I_{MAX} (mA)
NOR01S83SV	Red ■	620-625nm	120	320	2.1	20	30
NOY01S84SV	Yellow ■	585-595nm	120	400	2.2	20	30
NOG01S81SV	Green ■	568-576nm	120	32	2.1	20	25
NOG01S86SV	Green ■	520-531nm	120	500	3.2	20	30
NOB01S82SV	Blue ■	450-462nm	120	200	3.2	20	30

Package Dimensions (mm)



Recommended Solder Pattern





BRIGHTTEK

BRIGHTTEK (EUROPE) LIMITED

Brightek (Europe) Limited

5 Cochrane House, Admirals Way

London E14 9UD United Kingdom

Tel: +44 20 8776 3507

Email: sales@brightekeurope.com

www.brightekeurope.com

Our products are distributed by:

