



**BRIGHTTEK**  
BRIGHTTEK (EUROPE) LIMITED

# BRIGHTTEK

## 2016 Catalogue

- **SMD: Reverse Mount**



# Reverse Mount

## Reverse Mount

- 1206RV (3216)	.....3
- 1209RV (3224)	.....4-5
- 2421RV	.....6-7
- 2520RV	.....8

# PCB / CHIP LED

## 1206RV (3216)



### Features:

- Reverse Mount
- Low Power LED
- Top View
- Various Colour
- Compatible Package
- High Efficiency
- High Lumen Output
- Large Emitting Area

### Applications:

- Indication Lamps
- Decoration Light
- 3C Consumer Goods
- Light Strip

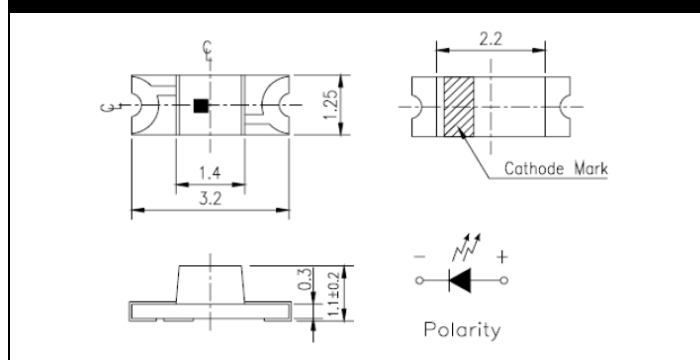
### Electrical & Optical Characteristics

Order Code	Colour	CCT (K)	$2\theta_{1/2}$ (°)	$I_V$ (mcd)	$V_F$ (V)	$I_F$ (mA)	$I_{MAX}$ (mA)
N0W16S97RV	Sky White	6340-27100K	140	80	2.8	5	25
N0W19S61RV*	Sky White	5600-416000K	140	180	3.1	20	30

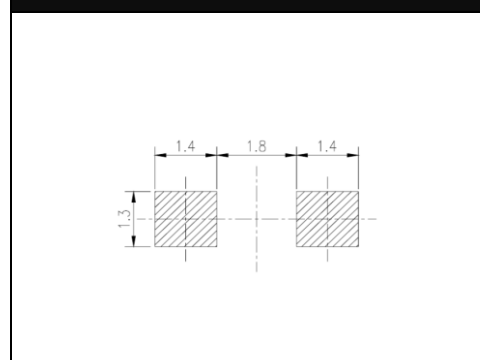
### Colour Electrical & Optical Characteristics (typ. at 20mA)

Order Code	Colour	WL (nm)	$2\theta_{1/2}$ (°)	$I_V$ (mcd)	$V_F$ (V)	$I_F$ (mA)	$I_{MAX}$ (mA)
N0R09S73RV	Red <span style="color:red">■</span>	617-634nm	130	50	2.0	20	25
N0Y09S74RV	Yellow <span style="color:yellow">■</span>	585-595nm	130	50	2.0	20	25
N0G09S75RV	Green <span style="color:green">■</span>	520-535nm	130	250	3.2	5	25
N0B13S94RV	Blue <span style="color:blue">■</span>	465-475nm	130	35	3.2	5	25
N0B19S60RV*	Blue <span style="color:blue">■</span>	460-470nm	140	120	3.2	20	30

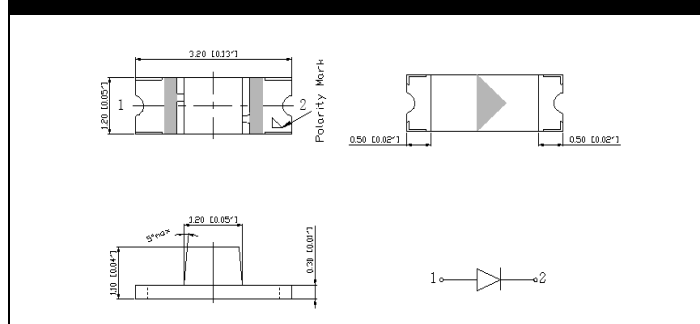
### Package Dimensions (mm)



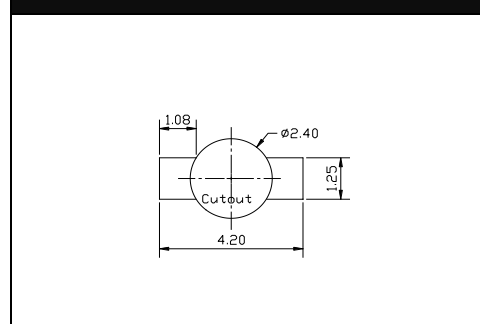
### Recommended Solder Pattern



### Package Dimensions (mm) \*



### Recommended Solder Pattern \*



# PCB / CHIP LED

## 1209RV (3224)



### Features:

- Reverse Mount
- Low Power LED
- Top View
- Narrow Viewing Angle
- Various Colour
- High Efficiency
- High Lumen Output
- Large Emitting Area



### Applications:

- Indication Lamps
- Decoration Light
- 3C Consumer Goods
- Light Strip

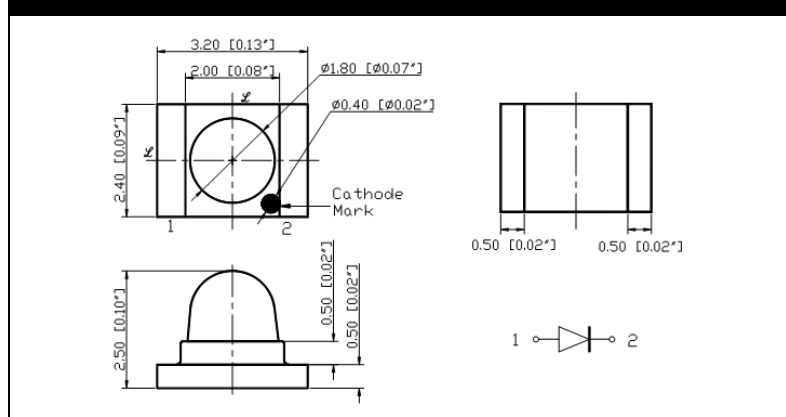
### Electrical & Optical Characteristics (typ. at 20mA)

Order Code	Colour	CCT (K)	$2\theta_{1/2}$ (°)	$I_V$ (mcd)	$V_F$ (V)	$I_F$ (mA)	$I_{MAX}$ (mA)
N0W10S62RV	Sky White	5600-46500K	130	140	3.1	20	30
N0W16S94RV	Sky White	5600-46500K	130	280	3.0	20	30

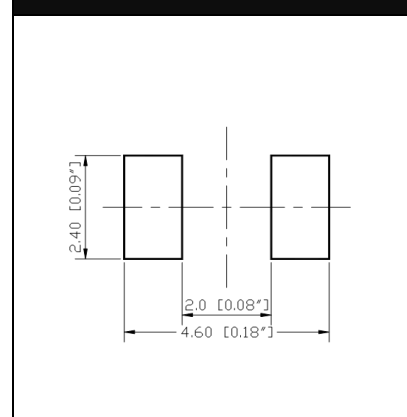
### Colour Electrical & Optical Characteristics (typ. at 20mA)

Order Code	Colour	WL (nm)	$2\theta_{1/2}$ (°)	$I_V$ (mcd)	$V_F$ (V)	$I_F$ (mA)	$I_{MAX}$ (mA)
N0R10S61RV	Red 	625-635nm	15	1600	2.0	20	30
N0R10S60RV	Red 	620-630nm	15	3850	2.0	20	30
N0A16S95RV	Amber 	600-610nm	15	3350	2.0	20	30
N0Y10S63RV	Yellow 	585-595nm	15	3400	2.0	20	30
N0G10S56RV	Green 	565-576nm	15	1000	2.0	20	30
N0G10S57RV	Green 	520-530nm	15	8800	3.2	20	30
N0B10S55RV	Blue 	460-470nm	15	1300	3.1	20	30

### Package Dimensions (mm)



### Recommended Solder Pattern



# PCB / CHIP LED

## 1209RV (3224) Dual Colours / RGB



### Features:

- Reverse Mount
- Low Power LED
- Top View
- Narrow Viewing Angle
- Dual Colours / RGB
- High Efficiency
- High Lumen Output
- Large Emitting Area

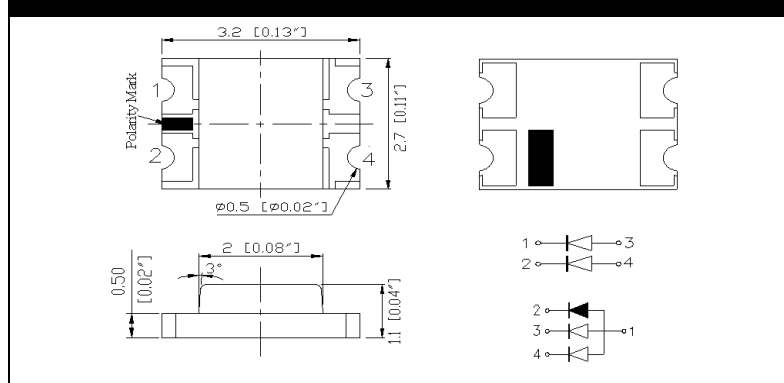
### Applications:

- Indication Lamps
- Decoration Light
- 3C Consumer Goods
- Light Strip

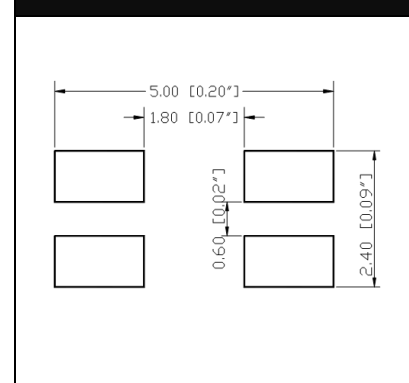
### Colour Electrical & Optical Characteristics (typ. at 20mA)

Order Code	Colour	WL (nm)	$2\theta_{1/2}$ (°)	$I_V$ (mcd)	$V_F$ (V)	$I_F$ (mA)
N0D11S90RV	Red/Green	640/570nm	60	60/40	2.0/2.0	20/20

### Package Dimensions (mm)



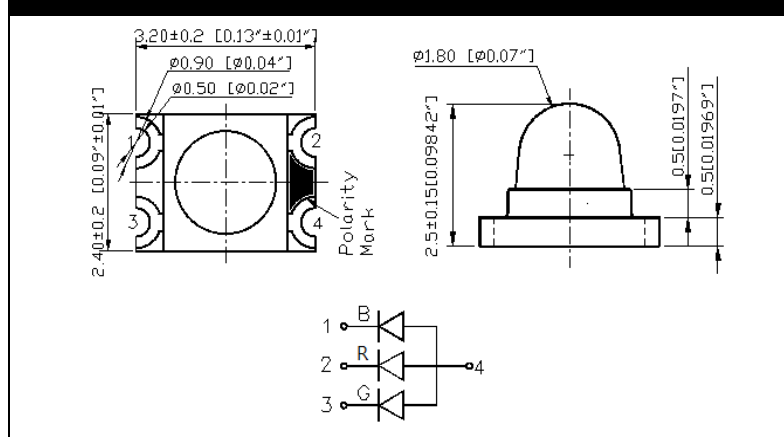
### Recommended Solder Pattern



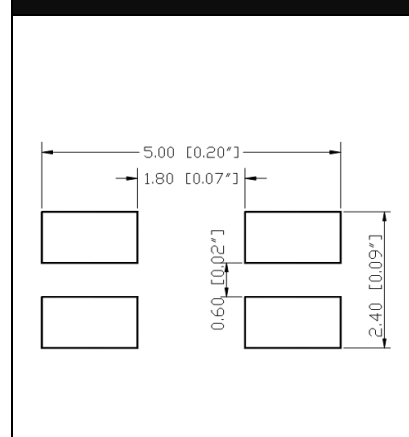
### Colour Electrical & Optical Characteristics (typ. at 20mA)

Order Code	Colour	WL (nm)	$2\theta_{1/2}$ (°)	$I_V$ (mcd)	$V_F$ (V)	$I_F$ (mA)
N0M11S91RV	Red/Green/Blue	620/525/470nm	60	160/460/65	2.0/3.1/3.1	20/20/20

### Package Dimensions (mm)



### Recommended Solder Pattern



# Lead Frame

## 2421RV



### Features:

- Reverse Mount
- Low Power LED
- Small Viewing Angle
- Various Colour
- High Efficiency
- High Intensity Output
- Reel Packing

### Applications:

- Indication Light
- Traffic Signal
- Information Board
- Decoration Lighting
- Signal and Switch

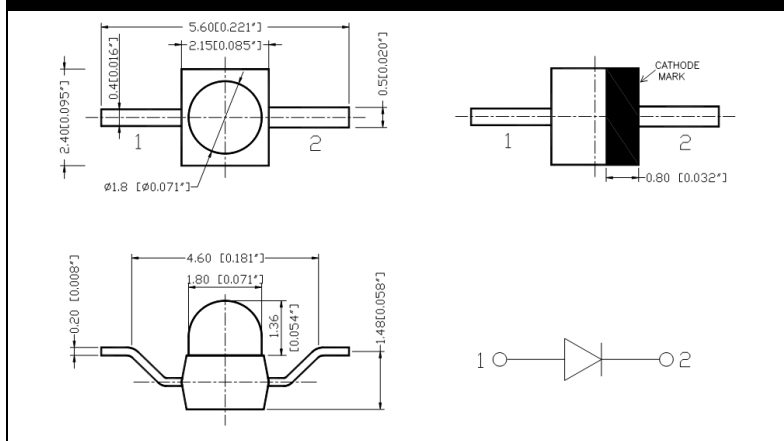
### White Electrical & Optical Characteristics (typ. at 20mA)

Order Code	Colour	CCT (K)	$2\theta_{1/2}$ (°)	$I_V$ (mcd)	$V_F$ (V)	$I_F$ (mA)	$I_{MAX}$ (mA)
N0W12S15RV	Sky White	5600-46500K	150	380	3.2	20	30

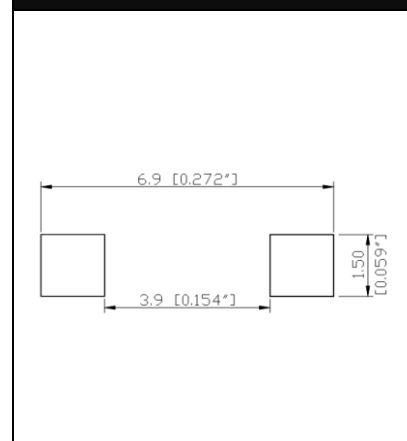
### Colour Electrical & Optical Characteristics (typ. at 20mA)

Order Code	Colour	WL (nm)	$2\theta_{1/2}$ (°)	$I_V$ (mcd)	$V_F$ (V)	$I_F$ (mA)	$I_{MAX}$ (mA)
NOR12S14RV	Red	625-635nm	20	2000	2.0	20	30
NOR12S13RV	Red	615-630nm	20	2400	2.0	20	30
NOY12S16RV	Yellow	585-595nm	20	2600	2.0	20	30
N0G12S11RV	Green	565-576nm	20	520	2.0	20	30
N0G12S12RV	Green	520-530nm	20	10000	3.2	20	30
N0B12S10RV	Blue	460-470nm	20	1300	3.1	20	30

### Package Dimensions (mm)



### Recommended Solder Pattern



# Lead Frame

## 2421RV Flat



### Features:

- Reverse Mount
- Low Power LED
- Small Viewing Angle
- Various Colour
- High Efficiency
- High Intensity Output
- Reel Packing

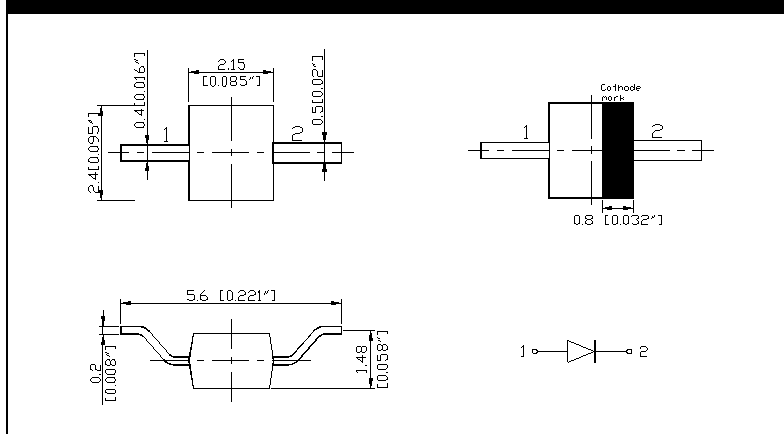
### Applications:

- Indication Light
- Traffic Signal
- Information Board
- Decoration Lighting
- Signal and Switch

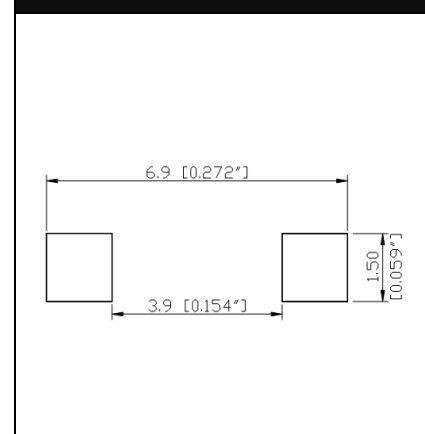
### Colour Electrical & Optical Characteristics (typ. at 20mA)

Order Code	Colour	WL (nm)	$2\theta_{1/2}$ (°)	$I_V$ (mcd)	$V_F$ (V)	$I_F$ (mA)	$I_{MAX}$ (mA)
NOR12S01RV	Red <span style="color:red">■</span>	625-635nm	150	95	2.0	20	30
NOR12S00RV	Red <span style="color:red">■</span>	615-630nm	150	120	2.0	20	30
NOY12S03RV	Yellow <span style="color:yellow">■</span>	585-595nm	150	150	2.0	20	30
NOG11S99RV	Green <span style="color:green">■</span>	565-575nm	150	45	2.0	20	30
NOB11S98RV	Blue <span style="color:blue">■</span>	460-470nm	150	50	3.1	20	30

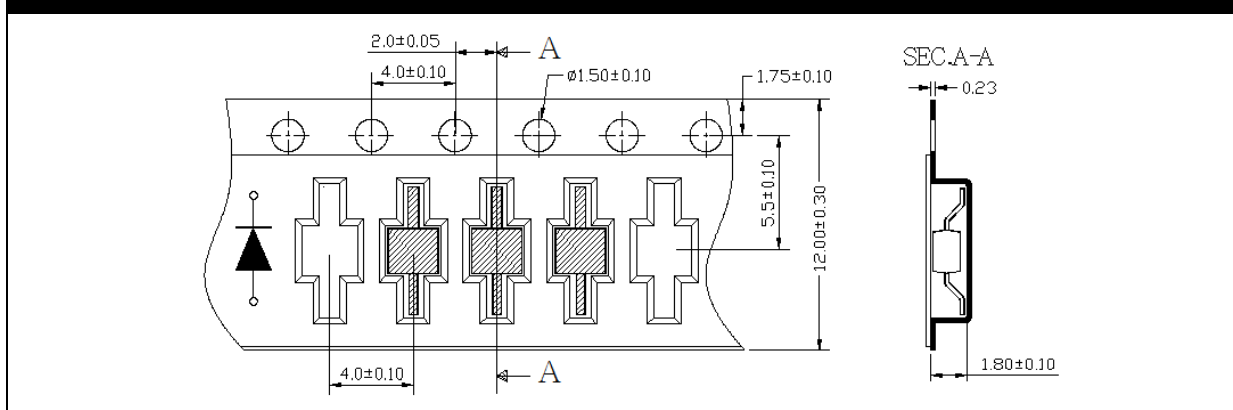
### Package Dimensions (mm)



### Recommended Solder Pattern



### Packing Dimensions (mm)





# Lead Frame

## 2520RV



### Features:

- Reverse Mount
- Low Power LED
- Small Viewing Angle
- Various Colour
- High Efficiency
- High Intensity Output
- Reel Packing

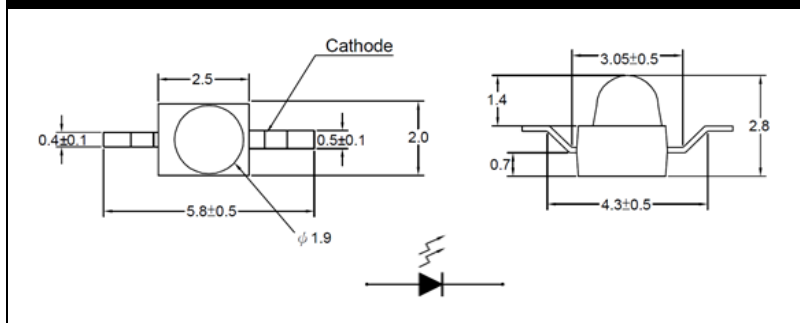
### Applications:

- Indication Light
- Traffic Signal
- Information Board
- Decoration Lighting
- Signal and Switch

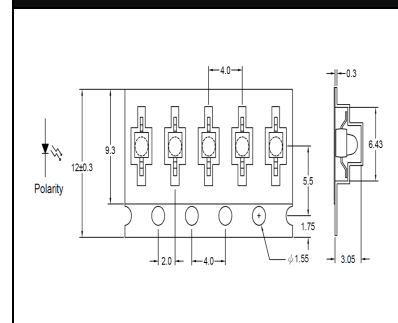
### Colour Electrical & Optical Characteristics (typ. at 20mA)

Order Code	Colour	WL (nm)	$2\theta_{1/2}$ (°)	$I_V$ (mcd)	$V_F$ (V)	$I_F$ (mA)	$I_{MAX}$ (mA)
NOR06S51RV	Red	620-640nm	20	2700	2.2	20	50
NOR14S24RV	Red	620-640nm	20	2200	2.0	20	25
NOA23S23RV	Amber	600-610nm	20	2200	2.1	20	50
NOY06S52RV	Yellow	580-630nm	20	1100	2.2	20	50
NOG09S54RV	Green	570-574nm	20	450	2.2	20	30
NOG23S21RV	Green	520-530nm	20	1800	3.5	20	30
NOB23S22RV	Blue	460-480nm	20	220	3.5	20	30

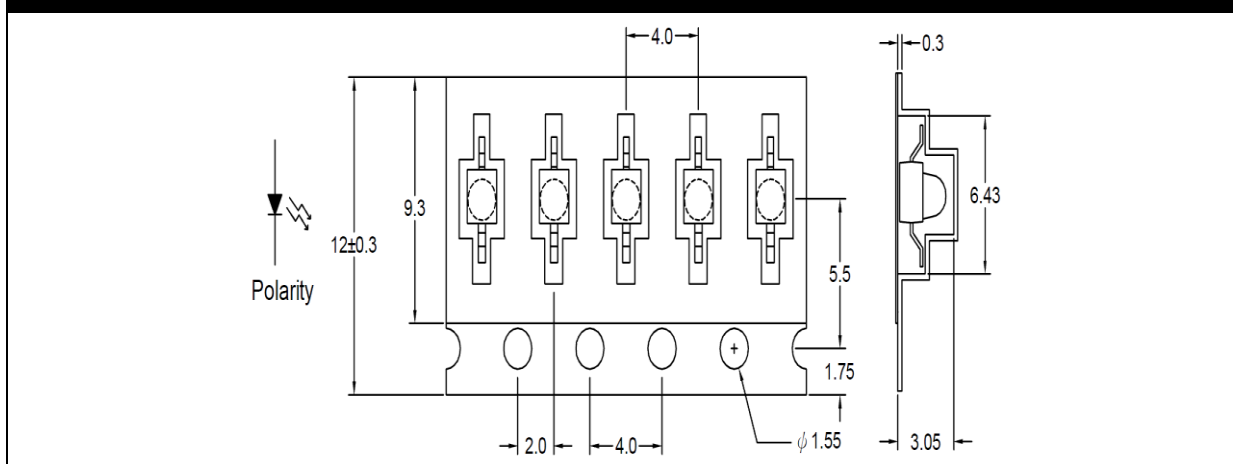
### Package Dimensions (mm)



### Packing Dimension



### Packing Dimensions (mm)









# **BRIGHTTEK**

**BRIGHTTEK (EUROPE) LIMITED**

Brightek (Europe) Limited  
5 Cochrane House, Admirals Way  
London E14 9UD United Kingdom  
Tel: +44 20 8776 3507  
Email: sales@brightekeurope.com

[www.brightekeurope.com](http://www.brightekeurope.com)

Our products are distributed by:

