



# PRODUCT SHORTFORM

[www.taiwansemi.com](http://www.taiwansemi.com)

23<sup>rd</sup>  
Edition

# INTRODUCTION

Taiwan Semiconductor was established in 1979, and remains under the direction of its founder and CEO, Arthur Wang. The company has grown from its beginnings as a local manufacturer, to a global enterprise with more than 2,000 employees, and achieving 2013 revenue of US \$236 million. Taiwan Semiconductor is publicly traded on the Stock Exchange Corporation of Taiwan.

Recognized for more than 35 years for its core competence in Discrete Power Rectifiers, Taiwan Semiconductor has expanded its product portfolio to include Trench Schottkys, LED Driver ICs, Analog ICs, Power Transistors and MOSFETs, and now provides a complete solution from one source.

Taiwan Semiconductor's production facilities in Taiwan and China are fully compliant to current automotive and environmental standards such as TS16949, ISO9001 and ISO14001. Thirteen worldwide sales offices are located to conveniently serve customers throughout Asia, Europe, and America.

Taiwan Semiconductor products are used in a vast array of applications in the electronics industry, including automotive, computer, consumer, industrial, power supply telecom and photovoltaic. Through strategic expansion of innovative manufacturing capabilities, and its focus on pioneering efficient semiconductor solutions, Taiwan Semiconductor is committed to being the right choice for a successful and lasting business relationship.

Taiwan Semiconductor offers these key advantages:

- Broad selection of semiconductor products from one source
- Modern, efficient and customer-oriented logistics processes
- Maximum flexibility including customer specific requirements
- Maximum level of quality and performance for your application

Whether directly or through one of our distribution partners, Taiwan Semiconductor will provide the solutions you need and will gladly support your special application requirements.

Taiwan Semiconductor reserves copyright of all documents and confidential information herein; copies may be made only by permission.

## Contents

### Discrete Devices

#### BRIDGE RECTIFIER

|  |        |
|--|--------|
| STANDARD .....                             | 4 - 12 |
| FAST ( $t_{rr}$ 150ns) .....               | 12     |
| HIGH EFFICIENT ( $t_{rr}$ 50...75ns) ..... | 13     |
| SUPER FAST ( $t_{rr}$ 35ns) .....          | 13     |
| SCHOTTKY .....                             | 14     |

#### DIACS

|           |    |
|-----------|----|
| DIAC..... | 14 |
|-----------|----|

#### DIODES

|  |           |
|--|-----------|
| STANDARD .....                             | 15 - 20   |
| FAST ( $t_{rr}$ 120...500ns) .....         | 21 - 24   |
| HIGH EFFICIENT ( $t_{rr}$ 50...80ns) ..... | 25 - 30   |
| SUPER FAST ( $t_{rr}$ 35...40ns) .....     | 31 - 37   |
| ULTRA FAST ( $t_{rr}$ 15...30ns) .....     | 38 - 29   |
| SCHOTTKY .....                             | 40 - 58   |
| SWITCHING - SMALL SIGNAL.....              | 59 - 60   |
| TVS.....                                   | 61 - 102  |
| ZENER.....                                 | 103 - 134 |

#### ESD

|                      |     |
|----------------------|-----|
| ESD PROTECTION ..... | 135 |
|----------------------|-----|

## Contents

### Discrete Devices

#### IGBTS

|           |     |
|-----------|-----|
| IGBT..... | 135 |
|-----------|-----|

#### MOSFETS

|             |           |
|-------------|-----------|
| MOSFET..... | 136 - 147 |
|-------------|-----------|

#### TRANSISTORS

|                         |           |
|-------------------------|-----------|
| TRANSISTOR.....         | 148 - 150 |
| DIGITAL TRANSISTOR..... | 151 - 153 |

#### THYRISTORS

|                |     |
|----------------|-----|
| THYRISTOR..... | 154 |
|----------------|-----|

### Power Management ICs

|                             |     |
|-----------------------------|-----|
| AMPLIFIER & COMPARATOR..... | 154 |
|-----------------------------|-----|

|                |     |
|----------------|-----|
| ANALOG IC..... | 155 |
|----------------|-----|

|                         |           |
|-------------------------|-----------|
| VOLTAGE REGULATOR ..... | 156 - 158 |
|-------------------------|-----------|

|                          |     |
|--------------------------|-----|
| SWITCHING REGULATOR..... | 159 |
|--------------------------|-----|

|                        |     |
|------------------------|-----|
| VOLTAGE REFERENCE..... | 160 |
|------------------------|-----|

|                   |     |
|-------------------|-----|
| HALL SENSOR ..... | 160 |
|-------------------|-----|

|                 |     |
|-----------------|-----|
| LED DRIVER..... | 161 |
|-----------------|-----|

### Appendix

|                                |           |
|--------------------------------|-----------|
| PACKING CODE LIST of TSC ..... | 162 - 167 |
|--------------------------------|-----------|

|  |     |
|--|-----|
| AXIAL LEAD TAPING SPECIFICATIONS FOR RECTIFIERS..... | 168 |
|--|-----|

|  |     |
|--|-----|
| RADIAL-TAPING SPECIFICATIONS FOR RECTIFIERS..... | 169 |
|--|-----|

|   |     |
|---|-----|
| AMMO PACK SPECIFICATIONS FOR TO-92..... | 170 |
|---|-----|

|                         |     |
|-------------------------|-----|
| AMMO BOX PACKAGING..... | 171 |
|-------------------------|-----|

|                              |           |
|------------------------------|-----------|
| SURFACE MOUNT PACKAGING..... | 172 - 173 |
|------------------------------|-----------|

|                        |           |
|------------------------|-----------|
| OUTLINE DRAWINGS ..... | 174 - 187 |
|------------------------|-----------|

## BRIDGES - STANDARD

## BRIDGES - STANDARD

(T<sub>A</sub>=25°C unless otherwise noted)

| Part Number | I <sub>F(AV)</sub> | V <sub>RRM</sub> | I <sub>FSM</sub> | V <sub>F</sub> | I <sub>R</sub> | T <sub>J</sub> max. | Package Description |
|-------------|--------------------|------------------|------------------|----------------|----------------|---------------------|---------------------|
|             | (A)                | (V)              | (A)              | (V)            | (μA)           | (°C)                |                     |
| TMBR6S05    | 0.5                | 600              | 12               | 1              | 0.5            | 150                 | TMB                 |
| MBS2        | 0.8                | 200              | 35               | 1              | 5              | 150                 | MBS                 |
| MBS4        | 0.8                | 400              | 35               | 1              | 5              | 150                 | MBS                 |
| TMBR6S08    | 0.8                | 600              | 14               | 0.8            | 0.5            | 150                 | TMB                 |
| MBS6        | 0.8                | 600              | 35               | 1              | 5              | 150                 | MBS                 |
| MBS8        | 0.8                | 800              | 35               | 1              | 5              | 150                 | MBS                 |
| MBS10       | 0.8                | 1,000            | 35               | 1              | 5              | 150                 | MBS                 |
| KBP101G     | 1                  | 50               | 30               | 1              | 10             | 150                 | KBP                 |
| DBLS101G    | 1                  | 50               | 40               | 1.1            | 2              | 150                 | DBLS                |
| DBL101G     | 1                  | 50               | 40               | 1.1            | 2              | 150                 | DBL                 |
| KBP102G     | 1                  | 100              | 30               | 1              | 10             | 150                 | KBP                 |
| DBLS102G    | 1                  | 100              | 40               | 1.1            | 2              | 150                 | DBLS                |
| DBL102G     | 1                  | 100              | 40               | 1.1            | 2              | 150                 | DBL                 |
| ABS2        | 1                  | 200              | 30               | 0.95           | 10             | 150                 | ABS                 |
| KBP103G     | 1                  | 200              | 30               | 1              | 10             | 150                 | KBP                 |
| DBLS103G    | 1                  | 200              | 40               | 1.1            | 2              | 150                 | DBLS                |
| DBL103G     | 1                  | 200              | 40               | 1.1            | 2              | 150                 | DBL                 |
| ABS4        | 1                  | 400              | 30               | 0.95           | 10             | 150                 | ABS                 |
| KBP104G     | 1                  | 400              | 30               | 1              | 10             | 150                 | KBP                 |
| DBLS104G    | 1                  | 400              | 40               | 1.1            | 2              | 150                 | DBLS                |
| DBL104G     | 1                  | 400              | 40               | 1.1            | 2              | 150                 | DBL                 |
| ABS6        | 1                  | 600              | 30               | 0.95           | 10             | 150                 | ABS                 |
| KBP105G     | 1                  | 600              | 30               | 1              | 10             | 150                 | KBP                 |
| DBLS105G    | 1                  | 600              | 40               | 1.1            | 2              | 150                 | DBLS                |
| DBL105G     | 1                  | 600              | 40               | 1.1            | 2              | 150                 | DBL                 |
| ABS8        | 1                  | 800              | 30               | 0.95           | 10             | 150                 | ABS                 |
| KBP106G     | 1                  | 800              | 30               | 1              | 10             | 150                 | KBP                 |
| DBLS106G    | 1                  | 800              | 30               | 1.1            | 2              | 150                 | DBLS                |
| DBL106G     | 1                  | 800              | 30               | 1.1            | 2              | 150                 | DBL                 |
| ABS10       | 1                  | 1,000            | 30               | 0.95           | 10             | 150                 | ABS                 |
| KBP107G     | 1                  | 1,000            | 30               | 1              | 10             | 150                 | KBP                 |
| DBLS107G    | 1                  | 1,000            | 30               | 1.1            | 2              | 150                 | DBLS                |
| DBL107G     | 1                  | 1,000            | 30               | 1.1            | 2              | 150                 | DBL                 |
| KBP151G     | 1.5                | 50               | 50               | 1.1            | 10             | 150                 | KBP                 |
| DBLS151G    | 1.5                | 50               | 50               | 1.1            | 2              | 150                 | DBLS                |
| DBL151G     | 1.5                | 50               | 50               | 1.1            | 2              | 150                 | DBL                 |
| KBP152G     | 1.5                | 100              | 50               | 1.1            | 10             | 150                 | KBP                 |
| DBLS152G    | 1.5                | 100              | 50               | 1.1            | 2              | 150                 | DBLS                |
| DBL152G     | 1.5                | 100              | 50               | 1.1            | 2              | 150                 | DBL                 |
| KBP153G     | 1.5                | 200              | 50               | 1.1            | 10             | 150                 | KBP                 |
| DBLS153G    | 1.5                | 200              | 50               | 1.1            | 2              | 150                 | DBLS                |
| DBL153G     | 1.5                | 200              | 50               | 1.1            | 2              | 150                 | DBL                 |
| KBP154G     | 1.5                | 400              | 50               | 1.1            | 10             | 150                 | KBP                 |
| DBLS154G    | 1.5                | 400              | 50               | 1.1            | 2              | 150                 | DBLS                |
| DBL154G     | 1.5                | 400              | 50               | 1.1            | 2              | 150                 | DBL                 |
| ABS15J      | 1.5                | 600              | 40               | 0.97           | 5              | 150                 | ABS                 |

| Part Number | I <sub>F(AV)</sub> | V <sub>RRM</sub> | I <sub>FSM</sub> | V <sub>F</sub> | I <sub>R</sub> | T <sub>J</sub> max. | Package Description |
|-------------|--------------------|------------------|------------------|----------------|----------------|---------------------|---------------------|
|             | (A)                | (V)              | (A)              | (V)            | (μA)           | (°C)                |                     |
| KBP155G     | 1.5                | 600              | 50               | 1.1            | 10             | 150                 | KBP                 |
| DBLS155G    | 1.5                | 600              | 50               | 1.1            | 2              | 150                 | DBLS                |
| DBL155G     | 1.5                | 600              | 50               | 1.1            | 2              | 150                 | DBL                 |
| ABS15LJ     | 1.5                | 600              | 60               | 0.95           | 5              | 150                 | ABS                 |
| KBP156G     | 1.5                | 800              | 50               | 1.1            | 10             | 150                 | KBP                 |
| DBLS156G    | 1.5                | 800              | 50               | 1.1            | 2              | 150                 | DBLS                |
| DBL156G     | 1.5                | 800              | 50               | 1.1            | 2              | 150                 | DBL                 |
| ABS15M      | 1.5                | 1,000            | 40               | 1              | 5              | 150                 | ABS                 |
| KBP157G     | 1.5                | 1,000            | 50               | 1.1            | 10             | 150                 | KBP                 |
| DBLS157G    | 1.5                | 1,000            | 50               | 1.1            | 2              | 150                 | DBLS                |
| DBL157G     | 1.5                | 1,000            | 50               | 1.1            | 2              | 150                 | DBL                 |
| DBLS158G    | 1.5                | 1,200            | 50               | 1.25           | 2              | 150                 | DBLS                |
| DBL158G     | 1.5                | 1,200            | 50               | 1.25           | 2              | 150                 | DBL                 |
| DBLS159G    | 1.5                | 1,400            | 50               | 1.25           | 2              | 150                 | DBLS                |
| DBL159G     | 1.5                | 1,400            | 50               | 1.25           | 2              | 150                 | DBL                 |
| DBLS201G    | 2                  | 50               | 50               | 1.15           | 2              | 150                 | DBLS                |
| DBL201G     | 2                  | 50               | 50               | 1.15           | 2              | 150                 | DBL                 |
| GBL201      | 2                  | 50               | 60               | 1              | 5              | 150                 | GBL                 |
| KBP201G     | 2                  | 50               | 60               | 1.2            | 10             | 150                 | KBP                 |
| D2SB05      | 2                  | 50               | 80               | 1.1            | 10             | 150                 | GBL                 |
| DBLS202G    | 2                  | 100              | 50               | 1.15           | 2              | 150                 | DBLS                |
| DBL202G     | 2                  | 100              | 50               | 1.15           | 2              | 150                 | DBL                 |
| GBL202      | 2                  | 100              | 60               | 1              | 5              | 150                 | GBL                 |
| KBP202G     | 2                  | 100              | 60               | 1.2            | 10             | 150                 | KBP                 |
| D2SB10      | 2                  | 100              | 80               | 1.1            | 10             | 150                 | GBL                 |
| DBLS203G    | 2                  | 200              | 50               | 1.15           | 2              | 150                 | DBLS                |
| DBL203G     | 2                  | 200              | 50               | 1.15           | 2              | 150                 | DBL                 |
| GBL203      | 2                  | 200              | 60               | 1              | 5              | 150                 | GBL                 |
| KBP203G     | 2                  | 200              | 60               | 1.2            | 10             | 150                 | KBP                 |
| D2SB20      | 2                  | 200              | 80               | 1.1            | 10             | 150                 | GBL                 |
| DBLS204G    | 2                  | 400              | 50               | 1.15           | 2              | 150                 | DBLS                |
| DBL204G     | 2                  | 400              | 50               | 1.15           | 2              | 150                 | DBL                 |
| GBL204      | 2                  | 400              | 60               | 1              | 5              | 150                 | GBL                 |
| KBP204G     | 2                  | 400              | 60               | 1.2            | 10             | 150                 | KBP                 |
| D2SB40      | 2                  | 400              | 80               | 1.1            | 10             | 150                 | GBL                 |
| DBLS205G    | 2                  | 600              | 50               | 1.15           | 2              | 150                 | DBLS                |
| DBL205G     | 2                  | 600              | 50               | 1.15           | 2              | 150                 | DBL                 |
| GBL205      | 2                  | 600              | 60               | 1              | 5              | 150                 | GBL                 |
| KBP205G     | 2                  | 600              | 60               | 1.2            | 10             | 150                 | KBP                 |
| UR2KB60     | 2                  | 600              | 62               | 1.05           | 10             | 150                 | D3K                 |
| D2SB60      | 2                  | 600              | 80               | 1.1            | 10             | 150                 | GBL                 |
| DBLS206G    | 2                  | 800              | 50               | 1.15           | 2              | 150                 | DBLS                |
| DBL206G     | 2                  | 800              | 50               | 1.15           | 2              | 150                 | DBL                 |
| GBL206      | 2                  | 800              | 60               | 1              | 5              | 150                 | GBL                 |
| KBP206G     | 2                  | 800              | 60               | 1.2            | 10             | 150                 | KBP                 |
| UR2KB80     | 2                  | 800              | 62               | 1.05           | 10             | 150                 | D3K                 |



## BRIDGES - STANDARD

| Part Number | $I_{F(AV)}$ | $V_{RRM}$ | $I_{FSM}$ | $V_F$ | $I_R$      | $T_j \text{ max.}$ | Package Description |
|-------------|-------------|-----------|-----------|-------|------------|--------------------|---------------------|
|             | (A)         | (V)       | (A)       | (V)   | ( $\mu$ A) | ( $^{\circ}$ C)    |                     |
| D2SB80      | 2           | 800       | 80        | 1.1   | 10         | 150                | GBL                 |
| DBLS207G    | 2           | 1,000     | 50        | 1.15  | 2          | 150                | DBLS                |
| DBL207G     | 2           | 1,000     | 50        | 1.15  | 2          | 150                | DBL                 |
| GBL207      | 2           | 1,000     | 60        | 1     | 5          | 150                | GBL                 |
| KBP207G     | 2           | 1,000     | 60        | 1.2   | 10         | 150                | KBP                 |
| UR2KB100    | 2           | 1,000     | 62        | 1.05  | 10         | 150                | D3K                 |
| DBLS208G    | 2           | 1,200     | 50        | 1     | 2          | 150                | DBLS                |
| DBL208G     | 2           | 1,200     | 50        | 1     | 2          | 150                | DBL                 |
| DBLS209G    | 2           | 1,400     | 50        | 1     | 2          | 150                | DBLS                |
| DBL209G     | 2           | 1,400     | 50        | 1     | 2          | 150                | DBL                 |
| KBP301G     | 3           | 50        | 80        | 1.1   | 10         | 150                | KBP                 |
| KBP302G     | 3           | 100       | 80        | 1.1   | 10         | 150                | KBP                 |
| KBP303G     | 3           | 200       | 80        | 1.1   | 10         | 150                | KBP                 |
| KBP304G     | 3           | 400       | 80        | 1.1   | 10         | 150                | KBP                 |
| KBP305G     | 3           | 600       | 80        | 1.1   | 10         | 150                | KBP                 |
| UR3KB60     | 3           | 600       | 90        | 1     | 10         | 150                | D3K                 |
| KBP306G     | 3           | 800       | 80        | 1.1   | 10         | 150                | KBP                 |
| UR3KB80     | 3           | 800       | 90        | 1     | 10         | 150                | D3K                 |
| KBP307G     | 3           | 1,000     | 80        | 1.1   | 10         | 150                | KBP                 |
| UR3KB100    | 3           | 1,000     | 90        | 1     | 10         | 150                | D3K                 |
| GBLA005     | 4           | 50        | 120       | 1     | 5          | 150                | GBL                 |
| TS4B01G     | 4           | 50        | 120       | 1     | 5          | 150                | TS4B                |
| GBL005      | 4           | 50        | 150       | 1     | 5          | 150                | GBL                 |
| GBU401      | 4           | 50        | 150       | 1     | 5          | 150                | GBU                 |
| KBU401G     | 4           | 50        | 150       | 1.1   | 5          | 150                | KBU                 |
| KBL401G     | 4           | 50        | 150       | 1.1   | 10         | 150                | KBL                 |
| GBLA01      | 4           | 100       | 120       | 1     | 5          | 150                | GBL                 |
| TS4B02G     | 4           | 100       | 120       | 1     | 5          | 150                | TS4B                |
| GBL01       | 4           | 100       | 150       | 1     | 5          | 150                | GBL                 |
| GBU402      | 4           | 100       | 150       | 1     | 5          | 150                | GBU                 |
| KBU402G     | 4           | 100       | 150       | 1.1   | 5          | 150                | KBU                 |
| KBL402G     | 4           | 100       | 150       | 1.1   | 10         | 150                | KBL                 |
| GBLA02      | 4           | 200       | 120       | 1     | 5          | 150                | GBL                 |
| TS4B03G     | 4           | 200       | 120       | 1     | 5          | 150                | TS4B                |
| GBL02       | 4           | 200       | 150       | 1     | 5          | 150                | GBL                 |
| GBU403      | 4           | 200       | 150       | 1     | 5          | 150                | GBU                 |
| KBU403G     | 4           | 200       | 150       | 1.1   | 5          | 150                | KBU                 |
| KBL403G     | 4           | 200       | 150       | 1.1   | 10         | 150                | KBL                 |
| GBLA04      | 4           | 400       | 120       | 1     | 5          | 150                | GBL                 |
| TS4B04G     | 4           | 400       | 120       | 1     | 5          | 150                | TS4B                |
| TS4K40      | 4           | 400       | 120       | 1     | 10         | 150                | TS4K                |
| GBL04       | 4           | 400       | 150       | 1     | 5          | 150                | GBL                 |
| GBU404      | 4           | 400       | 150       | 1     | 5          | 150                | GBU                 |
| KBU404G     | 4           | 400       | 150       | 1.1   | 5          | 150                | KBU                 |
| KBL404G     | 4           | 400       | 150       | 1.1   | 10         | 150                | KBL                 |
| GBLA06      | 4           | 600       | 120       | 1     | 5          | 150                | GBL                 |
| TS4B05G     | 4           | 600       | 120       | 1     | 5          | 150                | TS4B                |

## BRIDGES - STANDARD

| Part Number | $I_{F(AV)}$ | $V_{RRM}$ | $I_{FSM}$ | $V_F$ | $I_R$      | $T_j \text{ max.}$ | Package Description |
|-------------|-------------|-----------|-----------|-------|------------|--------------------|---------------------|
|             | (A)         | (V)       | (A)       | (V)   | ( $\mu$ A) | ( $^{\circ}$ C)    |                     |
| TS4K60      | 4           | 600       | 120       | 1     | 10         | 150                | TS4K                |
| UR4KB60     | 4           | 600       | 135       | 1     | 10         | 150                | D3K                 |
| GBL06       | 4           | 600       | 150       | 1     | 5          | 150                | GBL                 |
| GBU405      | 4           | 600       | 150       | 1     | 5          | 150                | GBU                 |
| KBU405G     | 4           | 600       | 150       | 1.1   | 5          | 150                | KBU                 |
| KBL405G     | 4           | 600       | 150       | 1.1   | 10         | 150                | KBL                 |
| GBLA08      | 4           | 800       | 120       | 1     | 5          | 150                | GBL                 |
| TS4B06G     | 4           | 800       | 120       | 1     | 5          | 150                | TS4B                |
| TS4K80      | 4           | 800       | 120       | 1     | 10         | 150                | TS4K                |
| UR4KB80     | 4           | 800       | 135       | 1     | 10         | 150                | D3K                 |
| GBL08       | 4           | 800       | 150       | 1     | 5          | 150                | GBL                 |
| GBU406      | 4           | 800       | 150       | 1     | 5          | 150                | GBU                 |
| KBU406G     | 4           | 800       | 150       | 1.1   | 5          | 150                | KBU                 |
| KBL406G     | 4           | 800       | 150       | 1.1   | 10         | 150                | KBL                 |
| GBLA10      | 4           | 1,000     | 120       | 1     | 5          | 150                | GBL                 |
| TS4B07G     | 4           | 1,000     | 120       | 1     | 5          | 150                | TS4B                |
| UR4KB100    | 4           | 1,000     | 135       | 1     | 10         | 150                | D3K                 |
| GBL10       | 4           | 1,000     | 150       | 1     | 5          | 150                | GBL                 |
| GBU407      | 4           | 1,000     | 150       | 1     | 5          | 150                | GBU                 |
| KBU407G     | 4           | 1,000     | 150       | 1.1   | 5          | 150                | KBU                 |
| KBL407G     | 4           | 1,000     | 150       | 1.1   | 10         | 150                | KBL                 |
| TS6B01G     | 6           | 50        | 150       | 1     | 5          | 150                | TS4B                |
| TS6P01G     | 6           | 50        | 150       | 1.1   | 10         | 150                | TS6P                |
| GBU601      | 6           | 50        | 175       | 1     | 5          | 150                | GBU                 |
| KBU601G     | 6           | 50        | 175       | 1     | 5          | 150                | KBU                 |
| KBL601G     | 6           | 50        | 175       | 1.1   | 10         | 150                | KBL                 |
| TS6B02G     | 6           | 100       | 150       | 1     | 5          | 150                | TS4B                |
| TS6P02G     | 6           | 100       | 150       | 1.1   | 10         | 150                | TS6P                |
| GBU602      | 6           | 100       | 175       | 1     | 5          | 150                | GBU                 |
| KBU602G     | 6           | 100       | 175       | 1     | 5          | 150                | KBU                 |
| KBL602G     | 6           | 100       | 175       | 1.1   | 10         | 150                | KBL                 |
| TS6B03G     | 6           | 200       | 150       | 1     | 5          | 150                | TS4B                |
| TS6P03G     | 6           | 200       | 150       | 1.1   | 10         | 150                | TS6P                |
| GBU603      | 6           | 200       | 175       | 1     | 5          | 150                | GBU                 |
| KBU603G     | 6           | 200       | 175       | 1     | 5          | 150                | KBU                 |
| KBL603G     | 6           | 200       | 175       | 1.1   | 10         | 150                | KBL                 |
| TS6B04G     | 6           | 400       | 150       | 1     | 5          | 150                | TS4B                |
| TS6K40      | 6           | 400       | 150       | 1     | 5          | 150                | TS4K                |
| TS6P04G     | 6           | 400       | 150       | 1.1   | 10         | 150                | TS6P                |
| GBU604      | 6           | 400       | 175       | 1     | 5          | 150                | GBU                 |
| KBU604G     | 6           | 400       | 175       | 1     | 5          | 150                | KBU                 |
| KBL604G     | 6           | 400       | 175       | 1.1   | 10         | 150                | KBL                 |
| TS6B05G     | 6           | 600       | 150       | 1     | 5          | 150                | TS4B                |
| TS6K60      | 6           | 600       | 150       | 1     | 5          | 150                | TS4K                |
| TS6KL60     | 6           | 600       | 150       | 1.05  | 5          | 150                | KBJL                |
| TS6P05G     | 6           | 600       | 150       | 1.1   | 10         | 150                | TS6P                |
| GBU605      | 6           | 600       | 175       | 1     | 5          | 150                | GBU                 |

## BRIDGES - STANDARD

| Part Number | $I_{F(AV)}$ | $V_{RRM}$ | $I_{FSM}$ | $V_F$ | $I_R$      | $T_j$ max.      | Package Description |
|-------------|-------------|-----------|-----------|-------|------------|-----------------|---------------------|
|             | (A)         | (V)       | (A)       | (V)   | ( $\mu$ A) | ( $^{\circ}$ C) |                     |
| KBU605G     | 6           | 600       | 175       | 1     | 5          | 150             | KBU                 |
| KBL605G     | 6           | 600       | 175       | 1.1   | 10         | 150             | KBL                 |
| TS6B06G     | 6           | 800       | 150       | 1     | 5          | 150             | TS4B                |
| TS6K80      | 6           | 800       | 150       | 1     | 5          | 150             | TS4K                |
| TS6KL80     | 6           | 800       | 150       | 1.05  | 5          | 150             | KBJL                |
| TS6P06G     | 6           | 800       | 150       | 1.1   | 10         | 150             | TS6P                |
| GBU606      | 6           | 800       | 175       | 1     | 5          | 150             | GBU                 |
| KBU606G     | 6           | 800       | 175       | 1     | 5          | 150             | KBU                 |
| KBL606G     | 6           | 800       | 175       | 1.1   | 10         | 150             | KBL                 |
| TS6B07G     | 6           | 1,000     | 150       | 1     | 5          | 150             | TS4B                |
| TS6KL100    | 6           | 1,000     | 150       | 1.05  | 5          | 150             | KBJL                |
| TS6P07G     | 6           | 1,000     | 150       | 1.1   | 10         | 150             | TS6P                |
| GBU607      | 6           | 1,000     | 175       | 1     | 5          | 150             | GBU                 |
| KBU607G     | 6           | 1,000     | 175       | 1     | 5          | 150             | KBU                 |
| KBL607G     | 6           | 1,000     | 175       | 1.1   | 10         | 150             | KBL                 |
| GBU801      | 8           | 50        | 200       | 1     | 5          | 150             | GBU                 |
| KBU801G     | 8           | 50        | 200       | 1     | 5          | 150             | KBU                 |
| TS8P01G     | 8           | 50        | 200       | 1.1   | 10         | 150             | TS6P                |
| GBU802      | 8           | 100       | 200       | 1     | 5          | 150             | GBU                 |
| KBU802G     | 8           | 100       | 200       | 1     | 5          | 150             | KBU                 |
| TS8P02G     | 8           | 100       | 200       | 1.1   | 10         | 150             | TS6P                |
| GBU803      | 8           | 200       | 200       | 1     | 5          | 150             | GBU                 |
| KBU803G     | 8           | 200       | 200       | 1     | 5          | 150             | KBU                 |
| TS8P03G     | 8           | 200       | 200       | 1.1   | 10         | 150             | TS6P                |
| GBU804      | 8           | 400       | 200       | 1     | 5          | 150             | GBU                 |
| KBU804G     | 8           | 400       | 200       | 1     | 5          | 150             | KBU                 |
| TS8P04G     | 8           | 400       | 200       | 1.1   | 10         | 150             | TS6P                |
| GBU805      | 8           | 600       | 200       | 1     | 5          | 150             | GBU                 |
| KBU805G     | 8           | 600       | 200       | 1     | 5          | 150             | KBU                 |
| TS8P05G     | 8           | 600       | 200       | 1.1   | 10         | 150             | TS6P                |
| GBU806      | 8           | 800       | 200       | 1     | 5          | 150             | GBU                 |
| KBU806G     | 8           | 800       | 200       | 1     | 5          | 150             | KBU                 |
| TS8P06G     | 8           | 800       | 200       | 1.1   | 10         | 150             | TS6P                |
| GBU807      | 8           | 1,000     | 200       | 1     | 5          | 150             | GBU                 |
| KBU807G     | 8           | 1,000     | 200       | 1     | 5          | 150             | KBU                 |
| TS8P07G     | 8           | 1,000     | 200       | 1.1   | 10         | 150             | TS6P                |
| TS10B01G    | 10          | 50        | 150       | 1.1   | 5          | 150             | TS4B                |
| KBU1001G    | 10          | 50        | 200       | 1.1   | 5          | 150             | KBU                 |
| TS10P01G    | 10          | 50        | 200       | 1.1   | 10         | 150             | TS6P                |
| GBU1001     | 10          | 50        | 220       | 1.1   | 5          | 150             | GBU                 |
| TS10B02G    | 10          | 100       | 150       | 1.1   | 5          | 150             | TS4B                |
| KBU1002G    | 10          | 100       | 200       | 1.1   | 5          | 150             | KBU                 |
| TS10P02G    | 10          | 100       | 200       | 1.1   | 10         | 150             | TS6P                |
| GBU1002     | 10          | 100       | 220       | 1.1   | 5          | 150             | GBU                 |
| TS10B03G    | 10          | 200       | 150       | 1.1   | 5          | 150             | TS4B                |
| KBU1003G    | 10          | 200       | 200       | 1.1   | 5          | 150             | KBU                 |
| TS10P03G    | 10          | 200       | 200       | 1.1   | 10         | 150             | TS6P                |

## BRIDGES - STANDARD

| Part Number | $I_{F(AV)}$ | $V_{RRM}$ | $I_{FSM}$ | $V_F$ | $I_R$      | $T_j$ max.      | Package Description |
|-------------|-------------|-----------|-----------|-------|------------|-----------------|---------------------|
|             | (A)         | (V)       | (A)       | (V)   | ( $\mu$ A) | ( $^{\circ}$ C) |                     |
| GBU1003     | 10          | 200       | 220       | 1.1   | 5          | 150             | GBU                 |
| TS10K40     | 10          | 400       | 150       | 1     | 10         | 150             | TS4K                |
| TS10B04G    | 10          | 400       | 150       | 1.1   | 5          | 150             | TS4B                |
| KBU1004G    | 10          | 400       | 200       | 1.1   | 5          | 150             | KBU                 |
| TS10P04G    | 10          | 400       | 200       | 1.1   | 10         | 150             | TS6P                |
| GBU1004     | 10          | 400       | 220       | 1.1   | 5          | 150             | GBU                 |
| TS10K60     | 10          | 600       | 150       | 1     | 10         | 150             | TS4K                |
| TS10B05G    | 10          | 600       | 150       | 1.1   | 5          | 150             | TS4B                |
| TS10KL60    | 10          | 600       | 180       | 1     | 5          | 150             | KBJL                |
| KBU1005G    | 10          | 600       | 200       | 1.1   | 5          | 150             | KBU                 |
| TS10P05G    | 10          | 600       | 200       | 1.1   | 10         | 150             | TS6P                |
| GBU1005     | 10          | 600       | 220       | 1.1   | 5          | 150             | GBU                 |
| TS10K80     | 10          | 800       | 150       | 1     | 10         | 150             | TS4K                |
| TS10B06G    | 10          | 800       | 150       | 1.1   | 5          | 150             | TS4B                |
| TS10KL80    | 10          | 800       | 180       | 1     | 5          | 150             | KBJL                |
| KBU1006G    | 10          | 800       | 200       | 1.1   | 5          | 150             | KBU                 |
| TS10P06G    | 10          | 800       | 200       | 1.1   | 10         | 150             | TS6P                |
| GBU1006     | 10          | 800       | 220       | 1.1   | 5          | 150             | GBU                 |
| TS10B07G    | 10          | 1,000     | 150       | 1.1   | 5          | 150             | TS4B                |
| TS10KL100   | 10          | 1,000     | 180       | 1     | 5          | 150             | KBJL                |
| KBU1007G    | 10          | 1,000     | 200       | 1.1   | 5          | 150             | KBU                 |
| TS10P07G    | 10          | 1,000     | 200       | 1.1   | 10         | 150             | TS6P                |
| GBU1007     | 10          | 1,000     | 220       | 1.1   | 5          | 150             | GBU                 |
| TS15P01G    | 15          | 50        | 240       | 1.1   | 10         | 150             | TS6P                |
| GBPC15005   | 15          | 50        | 300       | 1.1   | 5          | 150             | GBPC                |
| GBPC15005M  | 15          | 50        | 300       | 1.1   | 5          | 150             | GBPC-M              |
| GBPC15005W  | 15          | 50        | 300       | 1.1   | 5          | 150             | GBPC-W              |
| TS15P02G    | 15          | 100       | 240       | 1.1   | 10         | 150             | TS6P                |
| GBPC1501    | 15          | 100       | 300       | 1.1   | 5          | 150             | GBPC                |
| GBPC1501M   | 15          | 100       | 300       | 1.1   | 5          | 150             | GBPC-M              |
| GBPC1501W   | 15          | 100       | 300       | 1.1   | 5          | 150             | GBPC-W              |
| TS15P03G    | 15          | 200       | 240       | 1.1   | 10         | 150             | TS6P                |
| GBPC1502    | 15          | 200       | 300       | 1.1   | 5          | 150             | GBPC                |
| GBPC1502M   | 15          | 200       | 300       | 1.1   | 5          | 150             | GBPC-M              |
| GBPC1502W   | 15          | 200       | 300       | 1.1   | 5          | 150             | GBPC-W              |
| TS15P04G    | 15          | 400       | 240       | 1.1   | 10         | 150             | TS6P                |
| GBPC1504    | 15          | 400       | 300       | 1.1   | 5          | 150             | GBPC                |
| GBPC1504M   | 15          | 400       | 300       | 1.1   | 5          | 150             | GBPC-M              |
| GBPC1504W   | 15          | 400       | 300       | 1.1   | 5          | 150             | GBPC-W              |
| TS15PL05G*  | 15          | 600       | 200       | 0.9   | 5          | 150             | TS6P                |
| TS15P05G    | 15          | 600       | 240       | 1.1   | 10         | 150             | TS6P                |
| GBPC1506    | 15          | 600       | 300       | 1.1   | 5          | 150             | GBPC                |
| GBPC1506M   | 15          | 600       | 300       | 1.1   | 5          | 150             | GBPC-M              |
| GBPC1506W   | 15          | 600       | 300       | 1.1   | 5          | 150             | GBPC-W              |
| TS15P06G    | 15          | 800       | 240       | 1.1   | 10         | 150             | TS6P                |
| GBPC1508    | 15          | 800       | 300       | 1.1   | 5          | 150             | GBPC                |
| GBPC1508M   | 15          | 800       | 300       | 1.1   | 5          | 150             | GBPC-M              |

Note. \* - Low Vf Bridge

## BRIDGES - STANDARD

| Part Number | $I_{F(AV)}$ | $V_{RRM}$ | $I_{FSM}$ | $V_F$ | $I_R$      | $T_j$ max.      | Package Description |
|-------------|-------------|-----------|-----------|-------|------------|-----------------|---------------------|
|             | (A)         | (V)       | (A)       | (V)   | ( $\mu$ A) | ( $^{\circ}$ C) |                     |
| GBPC1508W   | 15          | 800       | 300       | 1.1   | 5          | 150             | GBPC-W              |
| TS15P07G    | 15          | 1,000     | 240       | 1.1   | 10         | 150             | TS6P                |
| GBPC1510    | 15          | 1,000     | 300       | 1.1   | 5          | 150             | GBPC                |
| GBPC1510M   | 15          | 1,000     | 300       | 1.1   | 5          | 150             | GBPC-M              |
| GBPC1510W   | 15          | 1,000     | 300       | 1.1   | 5          | 150             | GBPC-W              |
| TS20P01G    | 20          | 50        | 250       | 1.1   | 10         | 150             | TS6P                |
| TS20P02G    | 20          | 100       | 250       | 1.1   | 10         | 150             | TS6P                |
| TS20P03G    | 20          | 200       | 250       | 1.1   | 10         | 150             | TS6P                |
| TS20P04G    | 20          | 400       | 250       | 1.1   | 10         | 150             | TS6P                |
| TS20P05G    | 20          | 600       | 250       | 1.1   | 10         | 150             | TS6P                |
| TS20P06G    | 20          | 800       | 250       | 1.1   | 10         | 150             | TS6P                |
| TS20P07G    | 20          | 1,000     | 250       | 1.1   | 10         | 150             | TS6P                |
| GBPC25005   | 25          | 50        | 300       | 1.1   | 5          | 150             | GBPC                |
| GBPC25005M  | 25          | 50        | 300       | 1.1   | 5          | 150             | GBPC-M              |
| GBPC25005W  | 25          | 50        | 300       | 1.1   | 5          | 150             | GBPC-W              |
| TS25P01G    | 25          | 50        | 350       | 1.1   | 10         | 150             | TS6P                |
| GBPC2501    | 25          | 100       | 300       | 1.1   | 5          | 150             | GBPC                |
| GBPC2501M   | 25          | 100       | 300       | 1.1   | 5          | 150             | GBPC-M              |
| GBPC2501W   | 25          | 100       | 300       | 1.1   | 5          | 150             | GBPC-W              |
| TS25P02G    | 25          | 100       | 350       | 1.1   | 10         | 150             | TS6P                |
| GBPC2502    | 25          | 200       | 300       | 1.1   | 5          | 150             | GBPC                |
| GBPC2502M   | 25          | 200       | 300       | 1.1   | 5          | 150             | GBPC-M              |
| GBPC2502W   | 25          | 200       | 300       | 1.1   | 5          | 150             | GBPC-W              |
| TS25P03G    | 25          | 200       | 350       | 1.1   | 10         | 150             | TS6P                |
| GBPC2504    | 25          | 400       | 300       | 1.1   | 5          | 150             | GBPC                |
| GBPC2504M   | 25          | 400       | 300       | 1.1   | 5          | 150             | GBPC-M              |
| GBPC2504W   | 25          | 400       | 300       | 1.1   | 5          | 150             | GBPC-W              |
| TS25P04G    | 25          | 400       | 350       | 1.1   | 10         | 150             | TS6P                |
| TS25PL05G*  | 25          | 600       | 300       | 0.87  | 10         | 150             | TS6P                |
| GBPC2506    | 25          | 600       | 300       | 1.1   | 5          | 150             | GBPC                |
| GBPC2506M   | 25          | 600       | 300       | 1.1   | 5          | 150             | GBPC-M              |
| GBPC2506W   | 25          | 600       | 300       | 1.1   | 5          | 150             | GBPC-W              |
| TS25P05G    | 25          | 600       | 350       | 1.1   | 10         | 150             | TS6P                |
| GBPC2508    | 25          | 800       | 300       | 1.1   | 5          | 150             | GBPC                |
| GBPC2508M   | 25          | 800       | 300       | 1.1   | 5          | 150             | GBPC-M              |
| GBPC2508W   | 25          | 800       | 300       | 1.1   | 5          | 150             | GBPC-W              |
| TS25P06G    | 25          | 800       | 350       | 1.1   | 10         | 150             | TS6P                |
| GBPC2510    | 25          | 1,000     | 300       | 1.1   | 5          | 150             | GBPC                |
| GBPC2510M   | 25          | 1,000     | 300       | 1.1   | 5          | 150             | GBPC-M              |
| GBPC2510W   | 25          | 1,000     | 300       | 1.1   | 5          | 150             | GBPC-W              |
| TS25P07G    | 25          | 1,000     | 350       | 1.1   | 10         | 150             | TS6P                |
| GBPC35005   | 35          | 50        | 400       | 1.1   | 5          | 150             | GBPC                |
| GBPC35005M  | 35          | 50        | 400       | 1.1   | 5          | 150             | GBPC-M              |
| GBPC35005W  | 35          | 50        | 400       | 1.1   | 5          | 150             | GBPC-W              |
| GBPC3501    | 35          | 100       | 400       | 1.1   | 5          | 150             | GBPC                |
| GBPC3501M   | 35          | 100       | 400       | 1.1   | 5          | 150             | GBPC-M              |
| GBPC3501W   | 35          | 100       | 400       | 1.1   | 5          | 150             | GBPC-W              |

Note. \* - Low Vf Bridge

## BRIDGES - STANDARD

| Part Number | $I_{F(AV)}$ | $V_{RRM}$ | $I_{FSM}$ | $V_F$ | $I_R$      | $T_j$ max.      | Package Description |
|-------------|-------------|-----------|-----------|-------|------------|-----------------|---------------------|
|             | (A)         | (V)       | (A)       | (V)   | ( $\mu$ A) | ( $^{\circ}$ C) |                     |
| GBPC3502    | 35          | 200       | 400       | 1.1   | 5          | 150             | GBPC                |
| GBPC3502M   | 35          | 200       | 400       | 1.1   | 5          | 150             | GBPC-M              |
| GBPC3502W   | 35          | 200       | 400       | 1.1   | 5          | 150             | GBPC-W              |
| GBPC3504    | 35          | 400       | 400       | 1.1   | 5          | 150             | GBPC                |
| GBPC3504M   | 35          | 400       | 400       | 1.1   | 5          | 150             | GBPC-M              |
| GBPC3504W   | 35          | 400       | 400       | 1.1   | 5          | 150             | GBPC-W              |
| TS35P05G    | 35          | 600       | 350       | 1.1   | 10         | 150             | TS6P                |
| GBPC3506    | 35          | 600       | 400       | 1.1   | 5          | 150             | GBPC                |
| GBPC3506M   | 35          | 600       | 400       | 1.1   | 5          | 150             | GBPC-M              |
| GBPC3506W   | 35          | 600       | 400       | 1.1   | 5          | 150             | GBPC-W              |
| TS35P06G    | 35          | 800       | 350       | 1.1   | 10         | 150             | TS6P                |
| GBPC3508    | 35          | 800       | 400       | 1.1   | 5          | 150             | GBPC                |
| GBPC3508M   | 35          | 800       | 400       | 1.1   | 5          | 150             | GBPC-M              |
| GBPC3508W   | 35          | 800       | 400       | 1.1   | 5          | 150             | GBPC-W              |
| TS35P07G    | 35          | 1,000     | 350       | 1.1   | 10         | 150             | TS6P                |
| GBPC3510    | 35          | 1,000     | 400       | 1.1   | 5          | 150             | GBPC                |
| GBPC3510M   | 35          | 1,000     | 400       | 1.1   | 5          | 150             | GBPC-M              |
| GBPC3510W   | 35          | 1,000     | 400       | 1.1   | 5          | 150             | GBPC-W              |
| GBPC40005   | 40          | 50        | 400       | 1.1   | 10         | 150             | GBPC40              |
| GBPC40005M  | 40          | 50        | 400       | 1.1   | 10         | 150             | GBPC40-M            |
| GBPC4001    | 40          | 100       | 400       | 1.1   | 10         | 150             | GBPC40              |
| GBPC4001M   | 40          | 100       | 400       | 1.1   | 10         | 150             | GBPC40-M            |
| GBPC4002    | 40          | 200       | 400       | 1.1   | 10         | 150             | GBPC40              |
| GBPC4002M   | 40          | 200       | 400       | 1.1   | 10         | 150             | GBPC40-M            |
| GBPC4004    | 40          | 400       | 400       | 1.1   | 10         | 150             | GBPC40              |
| GBPC4004M   | 40          | 400       | 400       | 1.1   | 10         | 150             | GBPC40-M            |
| GBPC4006    | 40          | 600       | 400       | 1.1   | 10         | 150             | GBPC40              |
| GBPC4006M   | 40          | 600       | 400       | 1.1   | 10         | 150             | GBPC40-M            |
| TS40P05G    | 40          | 600       | 400       | 1.1   | 10         | 150             | TS6P                |
| GBPC4008    | 40          | 800       | 400       | 1.1   | 10         | 150             | GBPC40              |
| GBPC4008M   | 40          | 800       | 400       | 1.1   | 10         | 150             | GBPC40-M            |
| TS40P06G    | 40          | 800       | 400       | 1.1   | 10         | 150             | TS6P                |
| GBPC4010    | 40          | 1,000     | 400       | 1.1   | 10         | 150             | GBPC40              |
| GBPC4010M   | 40          | 1,000     | 400       | 1.1   | 10         | 150             | GBPC40-M            |
| TS40P07G    | 40          | 1,000     | 400       | 1.1   | 10         | 150             | TS6P                |
| GBPC50005   | 50          | 50        | 400       | 1.1   | 10         | 150             | GBPC40              |
| GBPC50005M  | 50          | 50        | 400       | 1.1   | 10         | 150             | GBPC40-M            |
| GBPC5001    | 50          | 100       | 400       | 1.1   | 10         | 150             | GBPC40              |
| GBPC5001M   | 50          | 100       | 400       | 1.1   | 10         | 150             | GBPC40-M            |
| GBPC5002    | 50          | 200       | 400       | 1.1   | 10         | 150             | GBPC40              |
| GBPC5002M   | 50          | 200       | 400       | 1.1   | 10         | 150             | GBPC40-M            |
| GBPC5004    | 50          | 400       | 400       | 1.1   | 10         | 150             | GBPC40              |
| GBPC5004M   | 50          | 400       | 400       | 1.1   | 10         | 150             | GBPC40-M            |
| GBPC5006    | 50          | 600       | 400       | 1.1   | 10         | 150             | GBPC40              |
| GBPC5006M   | 50          | 600       | 400       | 1.1   | 10         | 150             | GBPC40-M            |
| TS50P05G    | 50          | 600       | 400       | 1.1   | 10         | 150             | TS6P                |
| GBPC5008    | 50          | 800       | 400       | 1.1   | 10         | 150             | GBPC40              |

## BRIDGES - STANDARD

| Part Number | $I_{F(AV)}$ | $V_{RRM}$ | $I_{FSM}$ | $V_F$ | $I_R$      | $T_j$ max.      | Package Description |
|-------------|-------------|-----------|-----------|-------|------------|-----------------|---------------------|
|             | (A)         | (V)       | (A)       | (V)   | ( $\mu$ A) | ( $^{\circ}$ C) |                     |
| GBPC5008M   | 50          | 800       | 400       | 1.1   | 10         | 150             | GBPC40-M            |
| TSS0P06G    | 50          | 800       | 400       | 1.1   | 10         | 150             | TS6P                |
| GBPC5010    | 50          | 1,000     | 400       | 1.1   | 10         | 150             | GBPC40              |
| GBPC5010M   | 50          | 1,000     | 400       | 1.1   | 10         | 150             | GBPC40-M            |
| TSS0P07G    | 50          | 1,000     | 400       | 1.1   | 10         | 150             | TS6P                |

## BRIDGES - HIGH EFFICIENT (50...75ns)

( $T_A=25^{\circ}$ C unless otherwise noted)

| Part Number | trr  | $I_{F(AV)}$ | $V_{RRM}$ | $I_{FSM}$ | $V_F$ | $I_R$      | $T_j$ max.      | Package Description |
|-------------|------|-------------|-----------|-----------|-------|------------|-----------------|---------------------|
|             | (ns) | (A)         | (V)       | (A)       | (V)   | ( $\mu$ A) | ( $^{\circ}$ C) |                     |
| HDBL101G    | 50   | 1           | 50        | 50        | 1     | 5          | 150             | DBL                 |
| HDBLS101G   | 50   | 1           | 50        | 50        | 1     | 5          | 150             | DBLS                |
| HDBL102G    | 50   | 1           | 100       | 50        | 1     | 5          | 150             | DBL                 |
| HDBLS102G   | 50   | 1           | 100       | 50        | 1     | 5          | 150             | DBLS                |
| HDBL103G    | 50   | 1           | 200       | 50        | 1     | 5          | 150             | DBL                 |
| HDBLS103G   | 50   | 1           | 200       | 50        | 1     | 5          | 150             | DBLS                |
| HDBL104G    | 50   | 1           | 400       | 50        | 1.3   | 5          | 150             | DBL                 |
| HDBLS104G   | 50   | 1           | 400       | 50        | 1.3   | 5          | 150             | DBLS                |
| TSS4B04G    | 50   | 4           | 400       | 150       | 1.3   | 5          | 150             | TS4B                |
| HDBL105G    | 75   | 1           | 600       | 50        | 1.7   | 5          | 150             | DBL                 |
| HDBLS105G   | 75   | 1           | 600       | 50        | 1.7   | 5          | 150             | DBLS                |
| HDBL106G    | 75   | 1           | 800       | 50        | 1.7   | 5          | 150             | DBL                 |
| HDBLS106G   | 75   | 1           | 800       | 50        | 1.7   | 5          | 150             | DBLS                |
| HDBL107G    | 75   | 1           | 1,000     | 50        | 1.7   | 5          | 150             | DBL                 |
| HDBLS107G   | 75   | 1           | 1,000     | 50        | 1.7   | 5          | 150             | DBLS                |

## BRIDGES - FAST (150ns)

( $T_A=25^{\circ}$ C unless otherwise noted)

| Part Number | trr  | $I_{F(AV)}$ | $V_{RRM}$ | $I_{FSM}$ | $V_F$ | $I_R$      | $T_j$ max.      | Package Description |
|-------------|------|-------------|-----------|-----------|-------|------------|-----------------|---------------------|
|             | (ns) | (A)         | (V)       | (A)       | (V)   | ( $\mu$ A) | ( $^{\circ}$ C) |                     |
| RMB2S       | 150  | 0.8         | 200       | 30        | 1     | 5          | 150             | MBS                 |
| RMB4S       | 150  | 0.8         | 400       | 30        | 1     | 5          | 150             | MBS                 |
| RMB6S       | 150  | 0.8         | 600       | 30        | 1     | 5          | 150             | MBS                 |

## BRIDGES - SUPERFAST (35ns)

( $T_A=25^{\circ}$ C unless otherwise noted)

| Part Number | trr  | $I_{F(AV)}$ | $V_{RRM}$ | $I_{FSM}$ | $V_F$ | $I_R$      | $T_j$ max.      | Package Description |
|-------------|------|-------------|-----------|-----------|-------|------------|-----------------|---------------------|
|             | (ns) | (A)         | (V)       | (A)       | (V)   | ( $\mu$ A) | ( $^{\circ}$ C) |                     |
| EABS1D      | 35   | 1           | 200       | 40        | 0.95  | 1          | 150             | ABS                 |
| EABS1G      | 35   | 1           | 400       | 40        | 1.2   | 1          | 150             | ABS                 |
| EABS1J      | 35   | 1           | 600       | 40        | 1.7   | 1          | 150             | ABS                 |
| TSS4B01G    | 35   | 4           | 50        | 150       | 0.98  | 5          | 150             | TS4B                |
| TSS4B02G    | 35   | 4           | 100       | 150       | 0.98  | 5          | 150             | TS4B                |
| TSS4B03G    | 35   | 4           | 200       | 150       | 0.98  | 5          | 150             | TS4B                |

## BRIDGES - SCHOTTKY

## DIODES - STANDARD

(T<sub>A</sub>=25°C unless otherwise noted)

| Part Number | I <sub>F(AV)</sub> | V <sub>RRM</sub> | I <sub>FSM</sub> | V <sub>F</sub> | I <sub>R</sub> | T <sub>J</sub> max. | Package Description |
|-------------|--------------------|------------------|------------------|----------------|----------------|---------------------|---------------------|
|             | (A)                | (V)              | (A)              | (V)            | (μA)           | (°C)                |                     |
| SBS34       | 3                  | 40               | 80               | 0.5            | 500            | 125                 | ABS                 |
| SBS36*      | 3                  | 60               | 80               | 0.8            | 500            | 125                 | ABS                 |

Note. \* - Q4/2014

## DIACS

(T<sub>A</sub>=25°C unless otherwise noted)

| Part Number | V <sub>BO</sub> | +/- V <sub>BO</sub> | I <sub>BO</sub> | P <sub>D</sub> | I <sub>FRM</sub> |                    | I <sub>BO</sub> Max. |                     | I <sub>R</sub> Max. |                    | Package Description |
|-------------|-----------------|---------------------|-----------------|----------------|------------------|--------------------|----------------------|---------------------|---------------------|--------------------|---------------------|
|             | (V)             | (V)                 | (mA)            | (mW)           | (A)              | @ Pulse Width (ms) | μA                   | C <sub>i</sub> (pF) | μA                  | V <sub>R</sub> (V) |                     |
| SODDB3      | 36              | 3                   | 0.100           | 400            | 2                | 0.02               | 100                  | 22                  | 10                  | 0.5                | SOD-123             |
| SODDB3T     | 34              | 2                   | 0.015           | 400            | 2                | 0.02               | 15                   | 22                  | 10                  | 0.5                | SOD-123             |
| DB3         | 36              | 3                   | 0.100           | 150            | 2                | 0.02               | 100                  | 22                  | 10                  | 0.5                | DO-35               |
| DB3TG       | 34              | 2                   | 0.015           | 150            | 2                | 0.02               | 15                   | 22                  | 10                  | 0.5                | DO-35               |
| LLDB3       | 36              | 3                   | 0.100           | 150            | 2                | 0.02               | 100                  | 22                  | 10                  | 0.5                | MMELF               |
| LLDB3TG     | 34              | 2                   | 0.015           | 150            | 2                | 0.02               | 15                   | 22                  | 10                  | 0.5                | MMELF               |

(T<sub>A</sub>=25°C unless otherwise noted)

| Part Number | I <sub>F(AV)</sub> | V <sub>RRM</sub> | I <sub>FSM</sub> | V <sub>F</sub> | I <sub>R</sub> | T <sub>J</sub> max. | Package Description |
|-------------|--------------------|------------------|------------------|----------------|----------------|---------------------|---------------------|
|             | (A)                | (V)              | (A)              | (V)            | (μA)           | (°C)                |                     |
| 1T1         | 1                  | 50               | 30               | 1              | 5              | 150                 | TS-1                |
| 1N4001S     | 1                  | 50               | 30               | 1              | 5              | 150                 | A-405               |
| 1N4001      | 1                  | 50               | 30               | 1              | 5              | 150                 | DO-41               |
| S1A         | 1                  | 50               | 40               | 1.1            | 1              | 175                 | SMA (DO-214AC)      |
| S1AB        | 1                  | 50               | 30               | 1.1            | 5              | 150                 | SMB (DO-214AA)      |
| S1AL        | 1                  | 50               | 30               | 1.1            | 5              | 175                 | Sub SMA             |
| 1N4001SG    | 1                  | 50               | 30               | 1              | 5              | 150                 | A-405               |
| 1N4001G     | 1                  | 50               | 30               | 1              | 5              | 150                 | DO-41               |
| 1T1G        | 1                  | 50               | 30               | 1.1            | 5              | 150                 | TS-1                |
| 1T2         | 1                  | 100              | 30               | 1              | 5              | 150                 | TS-1                |
| 1N4002S     | 1                  | 100              | 30               | 1              | 5              | 150                 | A-405               |
| 1N4002      | 1                  | 100              | 30               | 1              | 5              | 150                 | DO-41               |
| S1B         | 1                  | 100              | 40               | 1.1            | 1              | 175                 | SMA (DO-214AC)      |
| S1BB        | 1                  | 100              | 30               | 1.1            | 5              | 150                 | SMB (DO-214AA)      |
| S1BL        | 1                  | 100              | 30               | 1.1            | 5              | 175                 | Sub SMA             |
| 1N4002SG    | 1                  | 100              | 30               | 1              | 5              | 150                 | A-405               |
| 1N4002G     | 1                  | 100              | 30               | 1              | 5              | 150                 | DO-41               |
| 1T2G        | 1                  | 100              | 30               | 1.1            | 5              | 150                 | TS-1                |
| 1T3         | 1                  | 200              | 30               | 1              | 5              | 150                 | TS-1                |
| 1N4003S     | 1                  | 200              | 30               | 1              | 5              | 150                 | A-405               |
| 1N4003      | 1                  | 200              | 30               | 1              | 5              | 150                 | DO-41               |
| S1D         | 1                  | 200              | 40               | 1.1            | 1              | 175                 | SMA (DO-214AC)      |
| S1DB        | 1                  | 200              | 30               | 1.1            | 5              | 150                 | SMB (DO-214AA)      |
| S1DL        | 1                  | 200              | 30               | 1.1            | 5              | 175                 | Sub SMA             |
| 1T3G        | 1                  | 200              | 30               | 1              | 5              | 150                 | TS-1                |
| 1N4003SG    | 1                  | 200              | 30               | 1              | 5              | 150                 | A-405               |
| 1N4003G     | 1                  | 200              | 30               | 1              | 5              | 150                 | DO-41               |
| 2CZ4004     | 1                  | 400              | 7.5              | 1.1            | 10             | 150                 | SOD-123             |
| 1T4         | 1                  | 400              | 30               | 1              | 5              | 150                 | TS-1                |
| 1N4004S     | 1                  | 400              | 30               | 1              | 5              | 150                 | A-405               |
| 1N4004      | 1                  | 400              | 30               | 1              | 5              | 150                 | DO-41               |
| S1GM        | 1                  | 400              | 20               | 1.1            | 1              | 175                 | Micro SMA           |
| S1G         | 1                  | 400              | 40               | 1.1            | 1              | 175                 | SMA (DO-214AC)      |
| S1GB        | 1                  | 400              | 30               | 1.1            | 5              | 150                 | SMB (DO-214AA)      |
| S1GL        | 1                  | 400              | 30               | 1.1            | 5              | 175                 | Sub SMA             |
| 1T4G        | 1                  | 400              | 30               | 1              | 5              | 150                 | TS-1                |
| 1N4004SG    | 1                  | 400              | 30               | 1              | 5              | 150                 | A-405               |
| 1N4004G     | 1                  | 400              | 30               | 1              | 5              | 150                 | DO-41               |
| 2CZ4005     | 1                  | 600              | 7.5              | 1.1            | 10             | 150                 | SOD-123             |
| 1T5         | 1                  | 600              | 30               | 1              | 5              | 150                 | TS-1                |
| 1N4005S     | 1                  | 600              | 30               | 1              | 5              | 150                 | A-405               |
| 1N4005      | 1                  | 600              | 30               | 1              | 5              | 150                 | DO-41               |
| S1JM        | 1                  | 600              | 20               | 1.1            | 1              | 175                 | Micro SMA           |
| S1J         | 1                  | 600              | 40               | 1.1            | 1              | 175                 | SMA (DO-214AC)      |
| S1JB        | 1                  | 600              | 30               | 1.1            | 5              | 150                 | SMB (DO-214AA)      |
| S1JL        | 1                  | 600              | 30               | 1.1            | 5              | 175                 | Sub SMA             |

## DIODES - STANDARD

| Part Number | $I_{F(AV)}$ | $V_{RRM}$ | $I_{FSM}$ | $V_F$ | $I_R$      | $T_J \text{ max.}$ | Package Description |
|-------------|-------------|-----------|-----------|-------|------------|--------------------|---------------------|
|             | (A)         | (V)       | (A)       | (V)   | ( $\mu$ A) | ( $^{\circ}$ C)    |                     |
| 1T5G        | 1           | 600       | 30        | 1     | 5          | 150                | TS-1                |
| 1N4005SG    | 1           | 600       | 30        | 1     | 5          | 150                | A-405               |
| 1N4005G     | 1           | 600       | 30        | 1     | 5          | 150                | DO-41               |
| 2CZ4006     | 1           | 800       | 7.5       | 1.1   | 10         | 150                | SOD-123             |
| 1T6         | 1           | 800       | 30        | 1     | 5          | 150                | TS-1                |
| 1N4006S     | 1           | 800       | 30        | 1     | 5          | 150                | A-405               |
| 1N4006      | 1           | 800       | 30        | 1     | 5          | 150                | DO-41               |
| S1K         | 1           | 800       | 40        | 1.1   | 1          | 175                | SMA (DO-214AC)      |
| S1KB        | 1           | 800       | 30        | 1.1   | 5          | 150                | SMB (DO-214AA)      |
| S1KL        | 1           | 800       | 30        | 1.1   | 5          | 175                | Sub SMA             |
| 1T6G        | 1           | 800       | 30        | 1     | 5          | 150                | TS-1                |
| 1N4006SG    | 1           | 800       | 30        | 1     | 5          | 150                | A-405               |
| 1N4006G     | 1           | 800       | 30        | 1     | 5          | 150                | DO-41               |
| 1T7         | 1           | 1,000     | 30        | 1     | 5          | 150                | TS-1                |
| 1N4007S     | 1           | 1,000     | 30        | 1     | 5          | 150                | A-405               |
| 1N4007      | 1           | 1,000     | 30        | 1     | 5          | 150                | DO-41               |
| S1M         | 1           | 1,000     | 30        | 1.1   | 1          | 175                | SMA (DO-214AC)      |
| S1MB        | 1           | 1,000     | 30        | 1.1   | 5          | 150                | SMB (DO-214AA)      |
| S1ML        | 1           | 1,000     | 30        | 1.1   | 5          | 175                | Sub SMA             |
| 1T7G        | 1           | 1,000     | 30        | 1     | 5          | 150                | TS-1                |
| 1N4007SG    | 1           | 1,000     | 30        | 1     | 5          | 150                | A-405               |
| 1N4007G     | 1           | 1,000     | 30        | 1     | 5          | 150                | DO-41               |
| S1JLS       | 1.2         | 600       | 50        | 1.3   | 5          | 150                | SOD123HE            |
| S1KLS       | 1.2         | 800       | 50        | 1.3   | 5          | 150                | SOD123HE            |
| S1MLS       | 1.2         | 1,000     | 50        | 1.3   | 5          | 150                | SOD123HE            |
| 1N5391S     | 1.5         | 50        | 50        | 1.1   | 5          | 150                | DO-41               |
| 1N5391      | 1.5         | 50        | 50        | 1.1   | 5          | 150                | DO-15               |
| S2AA        | 1.5         | 50        | 50        | 1.1   | 5          | 150                | SMA (DO-214AC)      |
| 1N5391G     | 1.5         | 50        | 50        | 1.1   | 5          | 150                | DO-15               |
| 1N5392S     | 1.5         | 100       | 50        | 1     | 5          | 150                | DO-41               |
| 1N5392      | 1.5         | 100       | 50        | 1     | 5          | 150                | DO-15               |
| S2BA        | 1.5         | 100       | 50        | 1.1   | 5          | 150                | SMA (DO-214AC)      |
| 1N5392G     | 1.5         | 100       | 50        | 1.1   | 5          | 150                | DO-15               |
| 1N5393S     | 1.5         | 200       | 50        | 1     | 5          | 150                | DO-41               |
| 1N5393      | 1.5         | 200       | 50        | 1     | 5          | 150                | DO-15               |
| S2DA        | 1.5         | 200       | 50        | 1.1   | 5          | 150                | SMA (DO-214AC)      |
| 1N5393G     | 1.5         | 200       | 50        | 1     | 5          | 150                | DO-15               |
| 1N5395S     | 1.5         | 400       | 50        | 1     | 5          | 150                | DO-41               |
| 1N5395      | 1.5         | 400       | 50        | 1     | 5          | 150                | DO-15               |
| S2GA        | 1.5         | 400       | 50        | 1.1   | 5          | 150                | SMA (DO-214AC)      |
| 1N5395G     | 1.5         | 400       | 50        | 1     | 5          | 150                | DO-15               |
| 1N5397S     | 1.5         | 600       | 50        | 1     | 5          | 150                | DO-41               |
| 1N5397      | 1.5         | 600       | 50        | 1     | 5          | 150                | DO-15               |
| S2JA        | 1.5         | 600       | 50        | 1.1   | 5          | 150                | SMA (DO-214AC)      |
| 1N5397G     | 1.5         | 600       | 50        | 1     | 5          | 150                | DO-15               |
| 1N5398S     | 1.5         | 800       | 50        | 1     | 5          | 150                | DO-41               |
| 1N5398      | 1.5         | 800       | 50        | 1     | 5          | 150                | DO-15               |

## DIODES - STANDARD

| Part Number | $I_{F(AV)}$ | $V_{RRM}$ | $I_{FSM}$ | $V_F$ | $I_R$      | $T_J \text{ max.}$ | Package Description |
|-------------|-------------|-----------|-----------|-------|------------|--------------------|---------------------|
|             | (A)         | (V)       | (A)       | (V)   | ( $\mu$ A) | ( $^{\circ}$ C)    |                     |
| S2KA        | 1.5         | 800       | 50        | 1.1   | 5          | 150                | SMA (DO-214AC)      |
| 1N5398G     | 1.5         | 800       | 50        | 1     | 5          | 150                | DO-15               |
| 1N5399S     | 1.5         | 1,000     | 50        | 1     | 5          | 150                | DO-41               |
| 1N5399      | 1.5         | 1,000     | 50        | 1     | 5          | 150                | DO-15               |
| S2MA        | 1.5         | 1,000     | 50        | 1.1   | 5          | 150                | SMA (DO-214AC)      |
| 1N5399G     | 1.5         | 1,000     | 50        | 1     | 5          | 150                | DO-15               |
| 2A01        | 2           | 50        | 60        | 1     | 5          | 150                | DO-15               |
| S2A         | 2           | 50        | 50        | 1.15  | 1          | 150                | SMB (DO-214AA)      |
| 2A01G       | 2           | 50        | 55        | 1.1   | 5          | 150                | DO-15               |
| 2A02        | 2           | 100       | 60        | 1     | 5          | 150                | DO-15               |
| S2B         | 2           | 100       | 50        | 1.15  | 1          | 150                | SMB (DO-214AA)      |
| 2A02G       | 2           | 100       | 55        | 1.1   | 5          | 150                | DO-15               |
| 2A03        | 2           | 200       | 60        | 1     | 5          | 150                | DO-15               |
| S2D         | 2           | 200       | 50        | 1.15  | 1          | 150                | SMB (DO-214AA)      |
| 2A03G       | 2           | 200       | 55        | 1     | 5          | 150                | DO-15               |
| 2A04        | 2           | 400       | 60        | 1     | 5          | 150                | DO-15               |
| S2G         | 2           | 400       | 50        | 1.15  | 1          | 150                | SMB (DO-214AA)      |
| 2A04G       | 2           | 400       | 55        | 1     | 5          | 150                | DO-15               |
| 2A05        | 2           | 600       | 60        | 1     | 5          | 150                | DO-15               |
| S2J         | 2           | 600       | 50        | 1.15  | 1          | 150                | SMB (DO-214AA)      |
| 2A05G       | 2           | 600       | 55        | 1     | 5          | 150                | DO-15               |
| 2A06        | 2           | 800       | 60        | 1     | 5          | 150                | DO-15               |
| S2K         | 2           | 800       | 50        | 1.15  | 1          | 150                | SMB (DO-214AA)      |
| 2A06G       | 2           | 800       | 55        | 1     | 5          | 150                | DO-15               |
| 2A07        | 2           | 1,000     | 60        | 1     | 5          | 150                | DO-15               |
| S2M         | 2           | 1,000     | 50        | 1.15  | 1          | 150                | SMB (DO-214AA)      |
| 2A07G       | 2           | 1,000     | 55        | 1     | 5          | 150                | DO-15               |
| 1N5400      | 3           | 50        | 200       | 1     | 5          | 150                | DO-201AD            |
| S3AB        | 3           | 50        | 80        | 1.15  | 10         | 150                | SMB (DO-214AA)      |
| S3A         | 3           | 50        | 100       | 1.15  | 10         | 150                | SMC (DO-214AB)      |
| 1N5400G     | 3           | 50        | 125       | 1.1   | 5          | 150                | DO-201AD            |
| 1N5401      | 3           | 100       | 200       | 1     | 5          | 150                | DO-201AD            |
| S3BB        | 3           | 100       | 80        | 1.15  | 10         | 150                | SMB (DO-214AA)      |
| S3B         | 3           | 100       | 100       | 1.15  | 10         | 150                | SMC (DO-214AB)      |
| 1N5401G     | 3           | 100       | 125       | 1.1   | 5          | 150                | DO-201AD            |
| BY251       | 3           | 200       | 150       | 1     | 5          | 150                | DO-201AD            |
| 1N5402      | 3           | 200       | 200       | 1     | 5          | 150                | DO-201AD            |
| S3DB        | 3           | 200       | 80        | 1.15  | 10         | 150                | SMB (DO-214AA)      |
| S3D         | 3           | 200       | 100       | 1.15  | 10         | 150                | SMC (DO-214AB)      |
| 1N5402G     | 3           | 200       | 125       | 1     | 5          | 150                | DO-201AD            |
| BY252       | 3           | 400       | 150       | 1     | 5          | 150                | DO-201AD            |
| 1N5404      | 3           | 400       | 200       | 1     | 5          | 150                | DO-201AD            |
| S3GB        | 3           | 400       | 80        | 1.15  | 10         | 150                | SMB (DO-214AA)      |
| S3G         | 3           | 400       | 100       | 1.15  | 10         | 150                | SMC (DO-214AB)      |
| 1N5404G     | 3           | 400       | 125       | 1     | 5          | 150                | DO-201AD            |
| BY253       | 3           | 600       | 150       | 1     | 5          | 150                | DO-201AD            |
| 1N5406      | 3           | 600       | 200       | 1     | 5          | 150                | DO-201AD            |



## DIODES - STANDARD

| Part Number | $I_{F(AV)}$ | $V_{RRM}$ | $I_{FSM}$ | $V_F$ | $I_R$      | $T_J \text{ max.}$ | Package Description |
|-------------|-------------|-----------|-----------|-------|------------|--------------------|---------------------|
|             | (A)         | (V)       | (A)       | (V)   | ( $\mu$ A) | ( $^{\circ}$ C)    |                     |
| S3JB        | 3           | 600       | 80        | 1.15  | 10         | 150                | SMB (DO-214AA)      |
| S3J         | 3           | 600       | 100       | 1.15  | 10         | 150                | SMC (DO-214AB)      |
| 1N5406G     | 3           | 600       | 125       | 1     | 5          | 150                | DO-201AD            |
| BY254       | 3           | 800       | 150       | 1     | 5          | 150                | DO-201AD            |
| 1N5407      | 3           | 800       | 200       | 1     | 5          | 150                | DO-201AD            |
| S3KB        | 3           | 800       | 80        | 1.15  | 10         | 150                | SMB (DO-214AA)      |
| S3K         | 3           | 800       | 100       | 1.15  | 10         | 150                | SMC (DO-214AB)      |
| 1N5407G     | 3           | 800       | 125       | 1     | 5          | 150                | DO-201AD            |
| 1N5408      | 3           | 1,000     | 200       | 1     | 5          | 150                | DO-201AD            |
| S3MB        | 3           | 1,000     | 80        | 1.15  | 10         | 150                | SMB (DO-214AA)      |
| S3M         | 3           | 1,000     | 100       | 1.15  | 10         | 150                | SMC (DO-214AB)      |
| 1N5408G     | 3           | 1,000     | 125       | 1     | 5          | 150                | DO-201AD            |
| 1N5408D     | 3           | 2000      | 160       | 2     | 50         | 150                | DO-201AD            |
| S4A         | 4           | 50        | 100       | 1.15  | 10         | 150                | SMC (DO-214AB)      |
| S4B         | 4           | 100       | 100       | 1.15  | 10         | 150                | SMC (DO-214AB)      |
| S4D         | 4           | 200       | 100       | 1.15  | 10         | 150                | SMC (DO-214AB)      |
| S4G         | 4           | 400       | 100       | 1.15  | 10         | 150                | SMC (DO-214AB)      |
| S4J         | 4           | 600       | 100       | 1.15  | 10         | 150                | SMC (DO-214AB)      |
| S4K         | 4           | 800       | 100       | 1.15  | 10         | 150                | SMC (DO-214AB)      |
| S4M         | 4           | 1,000     | 100       | 1.15  | 10         | 150                | SMC (DO-214AB)      |
| S5A         | 5           | 50        | 100       | 1.15  | 10         | 150                | SMC (DO-214AB)      |
| S5B         | 5           | 100       | 100       | 1.15  | 10         | 150                | SMC (DO-214AB)      |
| S5D         | 5           | 200       | 100       | 1.15  | 10         | 150                | SMC (DO-214AB)      |
| S5G         | 5           | 400       | 100       | 1.15  | 10         | 150                | SMC (DO-214AB)      |
| S5J         | 5           | 600       | 100       | 1.15  | 10         | 150                | SMC (DO-214AB)      |
| S5K         | 5           | 800       | 100       | 1.15  | 10         | 150                | SMC (DO-214AB)      |
| S5M         | 5           | 1,000     | 100       | 1.15  | 10         | 150                | SMC (DO-214AB)      |
| 6A05        | 6           | 50        | 250       | 0.95  | 10         | 150                | R-6                 |
| 6A05G       | 6           | 50        | 250       | 1.1   | 10         | 150                | R-6                 |
| 6A10        | 6           | 100       | 250       | 0.95  | 10         | 150                | R-6                 |
| 6A10G       | 6           | 100       | 250       | 1.1   | 10         | 150                | R-6                 |
| 6A20        | 6           | 200       | 250       | 0.95  | 10         | 150                | R-6                 |
| 6A20G       | 6           | 200       | 250       | 1     | 10         | 150                | R-6                 |
| 6A40        | 6           | 400       | 250       | 0.95  | 10         | 150                | R-6                 |
| 6A40G       | 6           | 400       | 250       | 1     | 10         | 150                | R-6                 |
| 6A60        | 6           | 600       | 250       | 0.95  | 10         | 150                | R-6                 |
| 6A60G       | 6           | 600       | 250       | 1     | 10         | 150                | R-6                 |
| 6A80        | 6           | 800       | 250       | 0.95  | 10         | 150                | R-6                 |
| 6A80G       | 6           | 800       | 250       | 1     | 10         | 150                | R-6                 |
| 6A100       | 6           | 1,000     | 250       | 0.95  | 10         | 150                | R-6                 |
| 6A100G      | 6           | 1,000     | 250       | 1     | 10         | 150                | R-6                 |
| GPA801      | 8           | 50        | 150       | 1.1   | 5          | 150                | TO-220AC            |
| GPA802      | 8           | 100       | 150       | 1.1   | 5          | 150                | TO-220AC            |
| GPA803      | 8           | 200       | 150       | 1.1   | 5          | 150                | TO-220AC            |
| S8GC        | 8           | 400       | 200       | 0.985 | 10         | 150                | SMC (DO-214AB)      |
| GPA804      | 8           | 400       | 150       | 1.1   | 5          | 150                | TO-220AC            |
| S8JC        | 8           | 600       | 200       | 0.985 | 10         | 150                | SMC (DO-214AB)      |

## DIODES - STANDARD

| Part Number | $I_{F(AV)}$ | $V_{RRM}$ | $I_{FSM}$ | $V_F$ | $I_R$      | $T_J \text{ max.}$ | Package Description          |
|-------------|-------------|-----------|-----------|-------|------------|--------------------|------------------------------|
|             | (A)         | (V)       | (A)       | (V)   | ( $\mu$ A) | ( $^{\circ}$ C)    |                              |
| GPA805      | 8           | 600       | 150       | 1.1   | 5          | 150                | TO-220AC                     |
| S8KC        | 8           | 800       | 200       | 0.985 | 10         | 150                | SMC (DO-214AB)               |
| GPA806      | 8           | 800       | 150       | 1.1   | 5          | 150                | TO-220AC                     |
| S8MC        | 8           | 1,000     | 200       | 0.985 | 10         | 150                | SMC (DO-214AB)               |
| GPA807      | 8           | 1,000     | 150       | 1.1   | 5          | 150                | TO-220AC                     |
| GPAS1001    | 10          | 50        | 150       | 1.1   | 5          | 150                | D <sup>2</sup> -PAK (TO-263) |
| GP1001      | 10          | 50        | 125       | 1.1   | 5          | 150                | TO-220AB                     |
| GPAS1002    | 10          | 100       | 150       | 1.1   | 5          | 150                | D <sup>2</sup> -PAK (TO-263) |
| GP1002      | 10          | 100       | 125       | 1.1   | 5          | 150                | TO-220AB                     |
| GPAS1003    | 10          | 200       | 150       | 1.1   | 5          | 150                | D <sup>2</sup> -PAK (TO-263) |
| GP1003      | 10          | 200       | 125       | 1.1   | 5          | 150                | TO-220AB                     |
| GPAS1004    | 10          | 400       | 150       | 1.1   | 5          | 150                | D <sup>2</sup> -PAK (TO-263) |
| GP1004      | 10          | 400       | 125       | 1.1   | 5          | 150                | TO-220AB                     |
| GPAS1005    | 10          | 600       | 150       | 1.1   | 5          | 150                | D <sup>2</sup> -PAK (TO-263) |
| GP1005      | 10          | 600       | 125       | 1.1   | 5          | 150                | TO-220AB                     |
| GPAS1006    | 10          | 800       | 150       | 1.1   | 5          | 150                | D <sup>2</sup> -PAK (TO-263) |
| GP1006      | 10          | 800       | 125       | 1.1   | 5          | 150                | TO-220AB                     |
| GPAS1007    | 10          | 1,000     | 150       | 1.1   | 5          | 150                | D <sup>2</sup> -PAK (TO-263) |
| GP1007      | 10          | 1,000     | 125       | 1.1   | 5          | 150                | TO-220AB                     |
| GP1601      | 16          | 50        | 150       | 1.1   | 10         | 150                | TO-220AB                     |
| GP1602      | 16          | 100       | 150       | 1.1   | 10         | 150                | TO-220AB                     |
| GP1603      | 16          | 200       | 150       | 1.1   | 10         | 150                | TO-220AB                     |
| GP1604      | 16          | 400       | 150       | 1.1   | 10         | 150                | TO-220AB                     |
| GP1605      | 16          | 600       | 150       | 1.1   | 10         | 150                | TO-220AB                     |
| GP1606      | 16          | 800       | 150       | 1.1   | 10         | 150                | TO-220AB                     |
| GP1607      | 16          | 1,000     | 150       | 1.1   | 10         | 150                | TO-220AB                     |
| AR25A       | 25          | 50        | 400       | 1     | 5          | 150                | AR                           |
| ARS25A      | 25          | 50        | 400       | 1     | 5          | 150                | ARS                          |
| AR25B       | 25          | 100       | 400       | 1     | 5          | 150                | AR                           |
| ARS25B      | 25          | 100       | 400       | 1     | 5          | 150                | ARS                          |
| AR25D       | 25          | 200       | 400       | 1     | 5          | 150                | AR                           |
| ARS25D      | 25          | 200       | 400       | 1     | 5          | 150                | ARS                          |
| AR25G       | 25          | 400       | 400       | 1     | 5          | 150                | AR                           |
| ARS25G      | 25          | 400       | 400       | 1     | 5          | 150                | ARS                          |
| AR25J       | 25          | 600       | 400       | 1     | 5          | 150                | AR                           |
| ARS25J      | 25          | 600       | 400       | 1     | 5          | 150                | ARS                          |
| AR25K       | 25          | 800       | 400       | 1     | 5          | 150                | AR                           |
| ARS25K      | 25          | 800       | 400       | 1     | 5          | 150                | ARS                          |
| AR25M       | 25          | 1,000     | 400       | 1     | 5          | 150                | AR                           |
| ARS25M      | 25          | 1,000     | 400       | 1     | 5          | 150                | ARS                          |
| P2500M      | 25          | 1,000     | 650       | 0.87  | 5          | 175                | P2500                        |
| AR35A       | 35          | 50        | 500       | 1     | 5          | 150                | AR                           |
| ARS35A      | 35          | 50        | 500       | 1     | 5          | 150                | ARS                          |
| AR35B       | 35          | 100       | 500       | 1     | 5          | 150                | AR                           |
| ARS35B      | 35          | 100       | 500       | 1     | 5          | 150                | ARS                          |
| AR35D       | 35          | 200       | 500       | 1     | 5          | 150                | AR                           |
| ARS35D      | 35          | 200       | 500       | 1     | 5          | 150                | ARS                          |

## DIODES - STANDARD

| Part Number | $I_{F(AV)}$ | $V_{RRM}$ | $I_{FSM}$ | $V_F$ | $I_R$      | $T_J \text{ max.}$ | Package Description |
|-------------|-------------|-----------|-----------|-------|------------|--------------------|---------------------|
|             | (A)         | (V)       | (A)       | (V)   | ( $\mu$ A) | ( $^{\circ}$ C)    |                     |
| AR35G       | 35          | 400       | 500       | 1     | 5          | 150                | AR                  |
| ARS35G      | 35          | 400       | 500       | 1     | 5          | 150                | ARS                 |
| AR35J       | 35          | 600       | 500       | 1     | 5          | 150                | AR                  |
| ARS35J      | 35          | 600       | 500       | 1     | 5          | 150                | ARS                 |
| AR35K       | 35          | 800       | 500       | 1     | 5          | 150                | AR                  |
| ARS35K      | 35          | 800       | 500       | 1     | 5          | 150                | ARS                 |
| AR35M       | 35          | 1,000     | 500       | 1     | 5          | 150                | AR                  |
| ARS35M      | 35          | 1,000     | 500       | 1     | 5          | 150                | ARS                 |
| AR50A       | 50          | 50        | 800       | 1.1   | 5          | 150                | AR                  |
| ARS50A      | 50          | 50        | 800       | 1.1   | 5          | 150                | ARS                 |
| AR50B       | 50          | 100       | 800       | 1.1   | 5          | 150                | AR                  |
| ARS50B      | 50          | 100       | 500       | 1.1   | 5          | 150                | ARS                 |
| AR50D       | 50          | 200       | 800       | 1.1   | 5          | 150                | AR                  |
| ARS50D      | 50          | 200       | 500       | 1.1   | 5          | 150                | ARS                 |
| AR50G       | 50          | 400       | 800       | 1.1   | 5          | 150                | AR                  |
| ARS50G      | 50          | 400       | 500       | 1.1   | 5          | 150                | ARS                 |
| AR50J       | 50          | 600       | 800       | 1.1   | 5          | 150                | AR                  |
| ARS50J      | 50          | 600       | 500       | 1.1   | 5          | 150                | ARS                 |
| AR50K       | 50          | 800       | 800       | 1.1   | 5          | 150                | AR                  |
| ARS50K      | 50          | 800       | 500       | 1.1   | 5          | 150                | ARS                 |
| AR50M       | 50          | 1,000     | 800       | 1.1   | 5          | 150                | AR                  |
| ARS50M      | 50          | 1,000     | 500       | 1.1   | 5          | 150                | ARS                 |

## DIODES - FAST (120...500ns)

| Part Number | $t_{rr}$ | $I_{F(AV)}$ | $V_{RRM}$ | $I_{FSM}$ | $V_F$ | $I_R$      | $T_J \text{ max.}$ | Package Description |
|-------------|----------|-------------|-----------|-----------|-------|------------|--------------------|---------------------|
|             | (ns)     | (A)         | (V)       | (A)       | (V)   | ( $\mu$ A) | ( $^{\circ}$ C)    |                     |
| TPAR3D*     | 120      | 3           | 200       | 60        | 1.2   | 1          | 175                | SMPC (TO-277A)      |
| TPAR3G*     | 120      | 3           | 400       | 60        | 1.2   | 1          | 175                | SMPC (TO-277A)      |
| TPAR3J*     | 120      | 3           | 600       | 60        | 1.2   | 1          | 175                | SMPC (TO-277A)      |
| TPAR3M*     | 120      | 3           | 1,000     | 60        | 1.85  | 1          | 175                | SMPC (TO-277A)      |
| RSFAL       | 150      | 0.5         | 50        | 10        | 1.3   | 5          | 150                | Sub SMA             |
| RSFBL       | 150      | 0.5         | 100       | 10        | 1.3   | 5          | 150                | Sub SMA             |
| RSFDL       | 150      | 0.5         | 200       | 10        | 1.3   | 5          | 150                | Sub SMA             |
| RSFGL       | 150      | 0.5         | 400       | 10        | 1.3   | 5          | 150                | Sub SMA             |
| RS1AL       | 150      | 0.8         | 50        | 30        | 1.3   | 5          | 150                | Sub SMA             |
| RS1BL       | 150      | 0.8         | 100       | 30        | 1.3   | 5          | 150                | Sub SMA             |
| RS1DL       | 150      | 0.8         | 200       | 30        | 1.3   | 5          | 150                | Sub SMA             |
| RS1GL       | 150      | 0.8         | 400       | 30        | 1.3   | 5          | 150                | Sub SMA             |
| F1T1        | 150      | 1           | 50        | 30        | 1.2   | 5          | 150                | TS-1                |
| FR101S      | 150      | 1           | 50        | 30        | 1.2   | 5          | 150                | A-405               |
| FR101       | 150      | 1           | 50        | 30        | 1.2   | 5          | 150                | DO-41               |
| RS1A        | 150      | 1           | 50        | 30        | 1.3   | 5          | 150                | SMA (DO-214AC)      |
| F1T1G       | 150      | 1           | 50        | 30        | 1.3   | 5          | 150                | TS-1                |
| FR101SG     | 150      | 1           | 50        | 30        | 1.3   | 5          | 150                | A-405               |
| FR101G      | 150      | 1           | 50        | 30        | 1.3   | 5          | 150                | DO-41               |
| F1T2        | 150      | 1           | 100       | 30        | 1.2   | 5          | 150                | TS-1                |
| FR102S      | 150      | 1           | 100       | 30        | 1.2   | 5          | 150                | A-405               |
| FR102       | 150      | 1           | 100       | 30        | 1.2   | 5          | 150                | DO-41               |
| RS1B        | 150      | 1           | 100       | 30        | 1.3   | 5          | 150                | SMA (DO-214AC)      |
| F1T2G       | 150      | 1           | 100       | 30        | 1.3   | 5          | 150                | TS-1                |
| FR102SG     | 150      | 1           | 100       | 30        | 1.3   | 5          | 150                | A-405               |
| FR102G      | 150      | 1           | 100       | 30        | 1.3   | 5          | 150                | DO-41               |
| F1T3        | 150      | 1           | 200       | 30        | 1.2   | 5          | 150                | TS-1                |
| FR103S      | 150      | 1           | 200       | 30        | 1.2   | 5          | 150                | A-405               |
| FR103       | 150      | 1           | 200       | 30        | 1.2   | 5          | 150                | DO-41               |
| RS1D        | 150      | 1           | 200       | 30        | 1.3   | 5          | 150                | SMA (DO-214AC)      |
| F1T3G       | 150      | 1           | 200       | 30        | 1.3   | 5          | 150                | TS-1                |
| FR103SG     | 150      | 1           | 200       | 30        | 1.3   | 5          | 150                | A-405               |
| FR103G      | 150      | 1           | 200       | 30        | 1.3   | 5          | 150                | DO-41               |
| F1T4        | 150      | 1           | 400       | 30        | 1.2   | 5          | 150                | TS-1                |
| FR104S      | 150      | 1           | 400       | 30        | 1.2   | 5          | 150                | A-405               |
| BA157       | 150      | 1           | 400       | 30        | 1.2   | 5          | 150                | DO-41               |
| FR104       | 150      | 1           | 400       | 30        | 1.2   | 5          | 150                | DO-41               |
| RS1G        | 150      | 1           | 400       | 30        | 1.3   | 5          | 150                | SMA (DO-214AC)      |
| F1T4G       | 150      | 1           | 400       | 30        | 1.3   | 5          | 150                | TS-1                |
| FR104SG     | 150      | 1           | 400       | 30        | 1.3   | 5          | 150                | A-405               |
| BA157G      | 150      | 1           | 400       | 30        | 1.2   | 5          | 150                | DO-41               |
| FR104G      | 150      | 1           | 400       | 30        | 1.3   | 5          | 150                | DO-41               |
| BA158       | 150      | 1           | 600       | 30        | 1.2   | 5          | 150                | DO-41               |
| RS1006D1    | 150      | 1           | 600       | 18        | 1.15  | 1          | 150                | SOD-123             |
| BA158G      | 150      | 1           | 600       | 30        | 1.2   | 5          | 150                | DO-41               |
| FR151       | 150      | 1.5         | 50        | 50        | 1.2   | 5          | 150                | DO-15               |
| FR151S      | 150      | 1.5         | 50        | 50        | 1.2   | 5          | 150                | DO-41               |

Note. \* - Q4/2014



## DIODES - FAST (120...500ns)

| Part Number | trr  | I <sub>F(AV)</sub> | V <sub>RRM</sub> | I <sub>FSM</sub> | V <sub>F</sub> | I <sub>R</sub> | T <sub>J</sub> max. | Package Description |
|-------------|------|--------------------|------------------|------------------|----------------|----------------|---------------------|---------------------|
|             | (ns) | (A)                | (V)              | (A)              | (V)            | (μA)           | (°C)                |                     |
| RS2AA       | 150  | 1.5                | 50               | 50               | 1.3            | 5              | 150                 | SMA (DO-214AC)      |
| FR151G      | 150  | 1.5                | 50               | 50               | 1.3            | 5              | 150                 | DO-15               |
| FR152       | 150  | 1.5                | 100              | 50               | 1.2            | 5              | 150                 | DO-15               |
| FR152S      | 150  | 1.5                | 100              | 50               | 1.2            | 5              | 150                 | DO-41               |
| RS2BA       | 150  | 1.5                | 100              | 50               | 1.3            | 5              | 150                 | SMA (DO-214AC)      |
| FR152G      | 150  | 1.5                | 100              | 50               | 1.3            | 5              | 150                 | DO-15               |
| FR153       | 150  | 1.5                | 200              | 50               | 1.2            | 5              | 150                 | DO-15               |
| FR153S      | 150  | 1.5                | 200              | 50               | 1.2            | 5              | 150                 | DO-41               |
| RS2DA       | 150  | 1.5                | 200              | 50               | 1.3            | 5              | 150                 | SMA (DO-214AC)      |
| FR153G      | 150  | 1.5                | 200              | 50               | 1.3            | 5              | 150                 | DO-15               |
| FR154       | 150  | 1.5                | 400              | 50               | 1.2            | 5              | 150                 | DO-15               |
| FR154S      | 150  | 1.5                | 400              | 50               | 1.2            | 5              | 150                 | DO-41               |
| RS2GA       | 150  | 1.5                | 400              | 50               | 1.3            | 5              | 150                 | SMA (DO-214AC)      |
| FR154G      | 150  | 1.5                | 400              | 50               | 1.3            | 5              | 150                 | DO-15               |
| FR201       | 150  | 2                  | 50               | 60               | 1.2            | 5              | 150                 | DO-15               |
| RS2A        | 150  | 2                  | 50               | 50               | 1.3            | 5              | 150                 | SMB (DO-214AA)      |
| FR201G      | 150  | 2                  | 50               | 55               | 1.3            | 5              | 150                 | DO-15               |
| FR202       | 150  | 2                  | 100              | 60               | 1.2            | 5              | 150                 | DO-15               |
| RS2B        | 150  | 2                  | 100              | 50               | 1.3            | 5              | 150                 | SMB (DO-214AA)      |
| FR202G      | 150  | 2                  | 100              | 55               | 1.3            | 5              | 150                 | DO-15               |
| FR203       | 150  | 2                  | 200              | 60               | 1.2            | 5              | 150                 | DO-15               |
| RS2D        | 150  | 2                  | 200              | 50               | 1.3            | 5              | 150                 | SMB (DO-214AA)      |
| FR203G      | 150  | 2                  | 200              | 55               | 1.3            | 5              | 150                 | DO-15               |
| FR204       | 150  | 2                  | 400              | 60               | 1.2            | 5              | 150                 | DO-15               |
| RS2G        | 150  | 2                  | 400              | 50               | 1.3            | 5              | 150                 | SMB (DO-214AA)      |
| FR204G      | 150  | 2                  | 400              | 55               | 1.3            | 5              | 150                 | DO-15               |
| FR301       | 150  | 3                  | 50               | 150              | 1.2            | 5              | 150                 | DO-201AD            |
| RS3A        | 150  | 3                  | 50               | 100              | 1.3            | 10             | 150                 | SMC (DO-214AB)      |
| FR301G      | 150  | 3                  | 50               | 125              | 1.3            | 5              | 150                 | DO-201AD            |
| FR302       | 150  | 3                  | 100              | 150              | 1.2            | 5              | 150                 | DO-201AD            |
| RS3B        | 150  | 3                  | 100              | 100              | 1.3            | 10             | 150                 | SMC (DO-214AB)      |
| FR302G      | 150  | 3                  | 100              | 125              | 1.3            | 5              | 150                 | DO-201AD            |
| FR303       | 150  | 3                  | 200              | 150              | 1.2            | 5              | 150                 | DO-201AD            |
| RS3D        | 150  | 3                  | 200              | 100              | 1.3            | 10             | 150                 | SMC (DO-214AB)      |
| FR303G      | 150  | 3                  | 200              | 125              | 1.3            | 5              | 150                 | DO-201AD            |
| FR304       | 150  | 3                  | 400              | 150              | 1.2            | 5              | 150                 | DO-201AD            |
| RS3G        | 150  | 3                  | 400              | 100              | 1.3            | 10             | 150                 | SMC (DO-214AB)      |
| FR304G      | 150  | 3                  | 400              | 125              | 1.3            | 5              | 150                 | DO-201AD            |
| 1N4933      | 200  | 1                  | 50               | 30               | 1.2            | 5              | 150                 | DO-41               |
| 1N4933G     | 200  | 1                  | 50               | 30               | 1.2            | 5              | 150                 | DO-41               |
| 1N4934      | 200  | 1                  | 100              | 30               | 1.2            | 5              | 150                 | DO-41               |
| 1N4934G     | 200  | 1                  | 100              | 30               | 1.2            | 5              | 150                 | DO-41               |
| 1N4935      | 200  | 1                  | 200              | 30               | 1.2            | 5              | 150                 | DO-41               |
| 1N4935G     | 200  | 1                  | 200              | 30               | 1.2            | 5              | 150                 | DO-41               |
| 1N4936      | 200  | 1                  | 400              | 30               | 1.2            | 5              | 150                 | DO-41               |
| 1N4936G     | 200  | 1                  | 400              | 30               | 1.2            | 5              | 150                 | DO-41               |
| 1N4937      | 200  | 1                  | 600              | 30               | 1.2            | 5              | 150                 | DO-41               |

## DIODES - FAST (120...500ns)

| Part Number | trr  | I <sub>F(AV)</sub> | V <sub>RRM</sub> | I <sub>FSM</sub> | V <sub>F</sub> | I <sub>R</sub> | T <sub>J</sub> max. | Package Description |
|-------------|------|--------------------|------------------|------------------|----------------|----------------|---------------------|---------------------|
|             | (ns) | (A)                | (V)              | (A)              | (V)            | (μA)           | (°C)                |                     |
| 1N4937G     | 200  | 1                  | 600              | 30               | 1.2            | 5              | 150                 | DO-41               |
| RSFJL       | 250  | 0.5                | 600              | 10               | 1.3            | 5              | 150                 | Sub SMA             |
| RS1JL       | 250  | 0.8                | 600              | 30               | 1.3            | 5              | 150                 | Sub SMA             |
| F1T5        | 250  | 1                  | 600              | 30               | 1.2            | 5              | 150                 | TS-1                |
| FR105S      | 250  | 1                  | 600              | 30               | 1.2            | 5              | 150                 | A-405               |
| FR105       | 250  | 1                  | 600              | 30               | 1.2            | 5              | 150                 | DO-41               |
| RS1J        | 250  | 1                  | 600              | 30               | 1.3            | 5              | 150                 | SMA (DO-214AC)      |
| F1T5G       | 250  | 1                  | 600              | 30               | 1.3            | 5              | 150                 | TS-1                |
| FR105SG     | 250  | 1                  | 600              | 30               | 1.3            | 5              | 150                 | A-405               |
| FR105G      | 250  | 1                  | 600              | 30               | 1.3            | 5              | 150                 | DO-41               |
| BA159       | 250  | 1                  | 1,000            | 30               | 1.2            | 5              | 150                 | DO-41               |
| BA159G      | 250  | 1                  | 1,000            | 30               | 1.2            | 5              | 150                 | DO-41               |
| FR155       | 250  | 1.5                | 600              | 50               | 1.2            | 5              | 150                 | DO-15               |
| FR155S      | 250  | 1.5                | 600              | 50               | 1.2            | 5              | 150                 | DO-41               |
| RS2JA       | 250  | 1.5                | 600              | 50               | 1.3            | 5              | 150                 | SMA (DO-214AC)      |
| FR155G      | 250  | 1.5                | 600              | 50               | 1.3            | 5              | 150                 | DO-15               |
| FR205       | 250  | 2                  | 600              | 60               | 1.2            | 5              | 150                 | DO-15               |
| RS2J        | 250  | 2                  | 600              | 50               | 1.3            | 5              | 150                 | SMB (DO-214AA)      |
| FR205G      | 250  | 2                  | 600              | 55               | 1.3            | 5              | 150                 | DO-15               |
| FR305       | 250  | 3                  | 600              | 150              | 1.2            | 5              | 150                 | DO-201AD            |
| RS3J        | 250  | 3                  | 600              | 100              | 1.3            | 10             | 150                 | SMC (DO-214AB)      |
| FR305G      | 250  | 3                  | 600              | 125              | 1.3            | 5              | 150                 | DO-201AD            |
| RS1JLS      | 300  | 1.2                | 600              | 50               | 1.3            | 5              | 150                 | SOD123HE            |
| RS1KLS      | 300  | 1.2                | 800              | 50               | 1.3            | 5              | 150                 | SOD123HE            |
| RS1MLS      | 300  | 1.2                | 1,000            | 50               | 1.3            | 5              | 150                 | SOD123HE            |
| RSFKL       | 500  | 0.5                | 800              | 10               | 1.3            | 5              | 150                 | Sub SMA             |
| RSFML       | 500  | 0.5                | 1,000            | 10               | 1.3            | 5              | 150                 | Sub SMA             |
| RS1KL       | 500  | 0.8                | 800              | 30               | 1.3            | 5              | 150                 | Sub SMA             |
| RS1ML       | 500  | 0.8                | 1,000            | 30               | 1.3            | 5              | 150                 | Sub SMA             |
| F1T6        | 500  | 1                  | 800              | 30               | 1.2            | 5              | 150                 | TS-1                |
| FR106S      | 500  | 1                  | 800              | 30               | 1.2            | 5              | 150                 | A-405               |
| FR106       | 500  | 1                  | 800              | 30               | 1.2            | 5              | 150                 | DO-41               |
| RS1K        | 500  | 1                  | 800              | 30               | 1.3            | 5              | 150                 | SMA (DO-214AC)      |
| F1T6G       | 500  | 1                  | 800              | 30               | 1.3            | 5              | 150                 | TS-1                |
| FR106SG     | 500  | 1                  | 800              | 30               | 1.3            | 5              | 150                 | A-405               |
| FR106G      | 500  | 1                  | 800              | 30               | 1.3            | 5              | 150                 | DO-41               |
| F1T7        | 500  | 1                  | 1,000            | 30               | 1.2            | 5              | 150                 | TS-1                |
| FR107S      | 500  | 1                  | 1,000            | 30               | 1.2            | 5              | 150                 | A-405               |
| FR107       | 500  | 1                  | 1,000            | 30               | 1.2            | 5              | 150                 | DO-41               |
| RS1M        | 500  | 1                  | 1,000            | 30               | 1.3            | 5              | 150                 | SMA (DO-214AC)      |
| F1T7G       | 500  | 1                  | 1,000            | 30               | 1.3            | 5              | 150                 | TS-1                |
| FR107SG     | 500  | 1                  | 1,000            | 30               | 1.3            | 5              | 150                 | A-405               |
| FR107G      | 500  | 1                  | 1,000            | 30               | 1.3            | 5              | 150                 | DO-41               |
| FR156       | 500  | 1.5                | 800              | 50               | 1.2            | 5              | 150                 | DO-15               |
| FR156S      | 500  | 1.5                | 800              | 50               | 1.2            | 5              | 150                 | DO-41               |
| RS2KA       | 500  | 1.5                | 800              | 50               | 1.3            | 5              | 150                 | SMA (DO-214AC)      |
| FR156G      | 500  | 1.5                | 800              | 50               | 1.3            | 5              | 150                 | DO-15               |

## DIODES - FAST (120...500ns)

## DIODES - HIGH EFFICIENT (50...80ns)

| Part Number | trr  | $I_{F(AV)}$ | $V_{RRM}$ | $I_{FSM}$ | $V_F$ | $I_R$      | $T_J$ max.      | Package Description |
|-------------|------|-------------|-----------|-----------|-------|------------|-----------------|---------------------|
|             | (ns) | (A)         | (V)       | (A)       | (V)   | ( $\mu$ A) | ( $^{\circ}$ C) |                     |
| FR157       | 500  | 1.5         | 1,000     | 50        | 1.2   | 5          | 150             | DO-15               |
| FR157S      | 500  | 1.5         | 1,000     | 50        | 1.2   | 5          | 150             | DO-41               |
| RS2MA       | 500  | 1.5         | 1,000     | 50        | 1.3   | 5          | 150             | SMA (DO-214AC)      |
| FR157G      | 500  | 1.5         | 1,000     | 50        | 1.3   | 5          | 150             | DO-15               |
| FR206       | 500  | 2           | 800       | 60        | 1.2   | 5          | 150             | DO-15               |
| RS2K        | 500  | 2           | 800       | 50        | 1.3   | 5          | 150             | SMB (DO-214AA)      |
| FR206G      | 500  | 2           | 800       | 55        | 1.3   | 5          | 150             | DO-15               |
| FR207       | 500  | 2           | 1,000     | 60        | 1.2   | 5          | 150             | DO-15               |
| RS2M        | 500  | 2           | 1,000     | 50        | 1.3   | 5          | 150             | SMB (DO-214AA)      |
| FR207G      | 500  | 2           | 1,000     | 55        | 1.3   | 5          | 150             | DO-15               |
| FR306       | 500  | 3           | 800       | 150       | 1.2   | 5          | 150             | DO-201AD            |
| RS3K        | 500  | 3           | 800       | 100       | 1.3   | 10         | 150             | SMC (DO-214AB)      |
| FR306G      | 500  | 3           | 800       | 125       | 1.3   | 5          | 150             | DO-201AD            |
| FR307       | 500  | 3           | 1,000     | 150       | 1.2   | 5          | 150             | DO-201AD            |
| RS3M        | 500  | 3           | 1,000     | 100       | 1.3   | 10         | 150             | SMC (DO-214AB)      |
| FR307G      | 500  | 3           | 1,000     | 125       | 1.3   | 5          | 150             | DO-201AD            |

( $T_A=25^{\circ}$ C unless otherwise noted)

| Part Number | trr  | $I_{F(AV)}$ | $V_{RRM}$ | $I_{FSM}$ | $V_F$ | $I_R$      | $T_J$ max.      | Package Description |
|-------------|------|-------------|-----------|-----------|-------|------------|-----------------|---------------------|
|             | (ns) | (A)         | (V)       | (A)       | (V)   | ( $\mu$ A) | ( $^{\circ}$ C) |                     |
| MUR140S     | 50   | 1           | 35        | 400       | 1.25  | 5          | 175             | SMB (DO-214AA)      |
| MUR160S     | 50   | 1           | 35        | 600       | 1.25  | 5          | 175             | SMB (DO-214AA)      |
| HT11        | 50   | 1           | 50        | 30        | 1     | 5          | 150             | TS-1                |
| HER101S     | 50   | 1           | 50        | 30        | 1     | 5          | 150             | A-405               |
| HER101      | 50   | 1           | 50        | 30        | 1     | 5          | 150             | DO-41               |
| HS1AL       | 50   | 1           | 50        | 30        | 1     | 5          | 150             | Sub SMA             |
| HS1A        | 50   | 1           | 50        | 30        | 1     | 5          | 150             | SMA (DO-214AC)      |
| US1A        | 50   | 1           | 50        | 30        | 1     | 5          | 150             | SMA (DO-214AC)      |
| HT11G       | 50   | 1           | 50        | 30        | 1     | 5          | 150             | TS-1                |
| HER101SG    | 50   | 1           | 50        | 30        | 1     | 5          | 150             | A-405               |
| HER101G     | 50   | 1           | 50        | 30        | 1     | 5          | 150             | DO-41               |
| UF1A        | 50   | 1           | 50        | 30        | 1     | 5          | 150             | DO-41               |
| UF4001      | 50   | 1           | 50        | 30        | 1     | 5          | 150             | DO-41               |
| HT12        | 50   | 1           | 100       | 30        | 1     | 5          | 150             | TS-1                |
| HER102S     | 50   | 1           | 100       | 30        | 1     | 5          | 150             | A-405               |
| HER102      | 50   | 1           | 100       | 30        | 1     | 5          | 150             | DO-41               |
| HS1BL       | 50   | 1           | 100       | 30        | 1     | 5          | 150             | Sub SMA             |
| HS1B        | 50   | 1           | 100       | 30        | 1     | 5          | 150             | SMA (DO-214AC)      |
| US1B        | 50   | 1           | 100       | 30        | 1     | 5          | 150             | SMA (DO-214AC)      |
| HT12G       | 50   | 1           | 100       | 30        | 1     | 5          | 150             | TS-1                |
| HER102SG    | 50   | 1           | 100       | 30        | 1     | 5          | 150             | A-405               |
| HER102G     | 50   | 1           | 100       | 30        | 1     | 5          | 150             | DO-41               |
| UF1B        | 50   | 1           | 100       | 30        | 1     | 5          | 150             | DO-41               |
| UF4002      | 50   | 1           | 100       | 30        | 1     | 5          | 150             | DO-41               |
| HT13        | 50   | 1           | 200       | 30        | 1     | 5          | 150             | TS-1                |
| HER103S     | 50   | 1           | 200       | 30        | 1     | 5          | 150             | A-405               |
| HER103      | 50   | 1           | 200       | 30        | 1     | 5          | 150             | DO-41               |
| HS1DL       | 50   | 1           | 200       | 30        | 1     | 5          | 150             | Sub SMA             |
| HS1D        | 50   | 1           | 200       | 30        | 1     | 5          | 150             | SMA (DO-214AC)      |
| US1D        | 50   | 1           | 200       | 30        | 1     | 5          | 150             | SMA (DO-214AC)      |
| HT13G       | 50   | 1           | 200       | 30        | 1     | 5          | 150             | TS-1                |
| HER103SG    | 50   | 1           | 200       | 30        | 1     | 5          | 150             | A-405               |
| HER103G     | 50   | 1           | 200       | 30        | 1     | 5          | 150             | DO-41               |
| UF1D        | 50   | 1           | 200       | 30        | 1     | 5          | 150             | DO-41               |
| UF4003      | 50   | 1           | 200       | 30        | 1     | 5          | 150             | DO-41               |
| HT14        | 50   | 1           | 300       | 30        | 1     | 5          | 150             | TS-1                |
| HER104S     | 50   | 1           | 300       | 30        | 1     | 5          | 150             | A-405               |
| HER104      | 50   | 1           | 300       | 30        | 1     | 5          | 150             | DO-41               |
| HS1FL       | 50   | 1           | 300       | 30        | 1     | 5          | 150             | Sub SMA             |
| HS1F        | 50   | 1           | 300       | 30        | 1     | 5          | 150             | SMA (DO-214AC)      |
| HT14G       | 50   | 1           | 300       | 30        | 1     | 5          | 150             | TS-1                |
| HER104SG    | 50   | 1           | 300       | 30        | 1     | 5          | 150             | A-405               |
| HER104G     | 50   | 1           | 300       | 30        | 1     | 5          | 150             | DO-41               |
| HT15        | 50   | 1           | 400       | 30        | 1.3   | 5          | 150             | TS-1                |
| HER105S     | 50   | 1           | 400       | 30        | 1.3   | 5          | 150             | A-405               |
| HER105      | 50   | 1           | 400       | 30        | 1.3   | 5          | 150             | DO-41               |

## DIODES - HIGH EFFICIENT (50...80ns)

| Part Number | trr  | I <sub>F(AV)</sub> | V <sub>RRM</sub> | I <sub>FSM</sub> | V <sub>F</sub> | I <sub>R</sub> | T <sub>J</sub> max. | Package Description |
|-------------|------|--------------------|------------------|------------------|----------------|----------------|---------------------|---------------------|
|             | (ns) | (A)                | (V)              | (A)              | (V)            | (μA)           | (°C)                |                     |
| US1G        | 50   | 1                  | 400              | 30               | 1              | 5              | 150                 | SMA (DO-214AC)      |
| HS1GL       | 50   | 1                  | 400              | 30               | 1.3            | 5              | 150                 | Sub SMA             |
| HS1G        | 50   | 1                  | 400              | 30               | 1.3            | 5              | 150                 | SMA (DO-214AC)      |
| HT15G       | 50   | 1                  | 400              | 30               | 1.3            | 5              | 150                 | TS-1                |
| HER105SG    | 50   | 1                  | 400              | 30               | 1.3            | 5              | 150                 | A-405               |
| HER105G     | 50   | 1                  | 400              | 30               | 1.3            | 5              | 150                 | DO-41               |
| UF1G        | 50   | 1                  | 400              | 30               | 1              | 5              | 150                 | DO-41               |
| UF4004      | 50   | 1                  | 400              | 30               | 1              | 5              | 150                 | DO-41               |
| MUR160A     | 50   | 1                  | 600              | 35               | 1.25           | 5              | 175                 | DO-41               |
| MUR160      | 50   | 1                  | 600              | 35               | 1.25           | 5              | 175                 | DO-15               |
| HER151      | 50   | 1.5                | 50               | 50               | 1              | 5              | 150                 | DO-15               |
| HS2AA       | 50   | 1.5                | 50               | 50               | 1              | 5              | 150                 | SMA (DO-214AC)      |
| HER151G     | 50   | 1.5                | 50               | 50               | 1              | 5              | 150                 | DO-15               |
| HER152      | 50   | 1.5                | 100              | 50               | 1              | 5              | 150                 | DO-15               |
| HS2BA       | 50   | 1.5                | 100              | 50               | 1              | 5              | 150                 | SMA (DO-214AC)      |
| HER152G     | 50   | 1.5                | 100              | 50               | 1              | 5              | 150                 | DO-15               |
| HER153      | 50   | 1.5                | 200              | 50               | 1              | 5              | 150                 | DO-15               |
| HS2DA       | 50   | 1.5                | 200              | 50               | 1              | 5              | 150                 | SMA (DO-214AC)      |
| HER153G     | 50   | 1.5                | 200              | 50               | 1              | 5              | 150                 | DO-15               |
| HER154      | 50   | 1.5                | 300              | 50               | 1              | 5              | 150                 | DO-15               |
| HS2FA       | 50   | 1.5                | 300              | 50               | 1              | 5              | 150                 | SMA (DO-214AC)      |
| HER154G     | 50   | 1.5                | 300              | 50               | 1              | 5              | 150                 | DO-15               |
| HER155      | 50   | 1.5                | 400              | 50               | 1.3            | 5              | 150                 | DO-15               |
| HS2GA       | 50   | 1.5                | 400              | 50               | 1.3            | 5              | 150                 | SMA (DO-214AC)      |
| HER155G     | 50   | 1.5                | 400              | 50               | 1.3            | 5              | 150                 | DO-15               |
| HER201      | 50   | 2                  | 50               | 60               | 1              | 5              | 150                 | DO-15               |
| HS2A        | 50   | 2                  | 50               | 50               | 1              | 5              | 150                 | SMB (DO-214AA)      |
| HER201G     | 50   | 2                  | 50               | 60               | 1              | 5              | 150                 | DO-15               |
| HER202      | 50   | 2                  | 100              | 60               | 1              | 5              | 150                 | DO-15               |
| HS2B        | 50   | 2                  | 100              | 50               | 1              | 5              | 150                 | SMB (DO-214AA)      |
| HER202G     | 50   | 2                  | 100              | 60               | 1              | 5              | 150                 | DO-15               |
| HER203      | 50   | 2                  | 200              | 60               | 1              | 5              | 150                 | DO-15               |
| HS2D        | 50   | 2                  | 200              | 50               | 1              | 5              | 150                 | SMB (DO-214AA)      |
| HER203G     | 50   | 2                  | 200              | 60               | 1              | 5              | 150                 | DO-15               |
| HER204      | 50   | 2                  | 300              | 60               | 1              | 5              | 150                 | DO-15               |
| HS2F        | 50   | 2                  | 300              | 50               | 1              | 5              | 150                 | SMB (DO-214AA)      |
| HER204G     | 50   | 2                  | 300              | 60               | 1              | 5              | 150                 | DO-15               |
| HER205      | 50   | 2                  | 400              | 60               | 1.3            | 5              | 150                 | DO-15               |
| HS2G        | 50   | 2                  | 400              | 50               | 1.3            | 5              | 150                 | SMB (DO-214AA)      |
| HER205G     | 50   | 2                  | 400              | 60               | 1.3            | 5              | 150                 | DO-15               |
| HER301      | 50   | 3                  | 50               | 150              | 1              | 10             | 150                 | DO-201AD            |
| HS3AB       | 50   | 3                  | 50               | 100              | 1              | 10             | 150                 | SMB (DO-214AA)      |
| HS3A        | 50   | 3                  | 50               | 150              | 1              | 10             | 150                 | SMC (DO-214AB)      |
| HER301G     | 50   | 3                  | 50               | 125              | 1              | 10             | 150                 | DO-201AD            |
| MUR340S     | 50   | 3                  | 75               | 400              | 1.25           | 5              | 175                 | SMC (DO-214AB)      |
| MUR360S     | 50   | 3                  | 75               | 600              | 1.25           | 5              | 175                 | SMC (DO-214AB)      |
| HER302      | 50   | 3                  | 100              | 150              | 1              | 10             | 150                 | DO-201AD            |

## DIODES - HIGH EFFICIENT (50...80ns)

| Part Number | trr  | I <sub>F(AV)</sub> | V <sub>RRM</sub> | I <sub>FSM</sub> | V <sub>F</sub> | I <sub>R</sub> | T <sub>J</sub> max. | Package Description |
|-------------|------|--------------------|------------------|------------------|----------------|----------------|---------------------|---------------------|
|             | (ns) | (A)                | (V)              | (A)              | (V)            | (μA)           | (°C)                |                     |
| HS3BB       | 50   | 3                  | 100              | 100              | 1              | 10             | 150                 | SMB (DO-214AA)      |
| HS3B        | 50   | 3                  | 100              | 150              | 1              | 10             | 150                 | SMC (DO-214AB)      |
| HER302G     | 50   | 3                  | 100              | 125              | 1              | 10             | 150                 | DO-201AD            |
| HER303      | 50   | 3                  | 200              | 150              | 1              | 10             | 150                 | DO-201AD            |
| HS3DB       | 50   | 3                  | 200              | 100              | 1              | 10             | 150                 | SMB (DO-214AA)      |
| HS3D        | 50   | 3                  | 200              | 150              | 1              | 10             | 150                 | SMC (DO-214AB)      |
| HER303G     | 50   | 3                  | 200              | 125              | 1              | 10             | 150                 | DO-201AD            |
| HER304      | 50   | 3                  | 300              | 150              | 1              | 10             | 150                 | DO-201AD            |
| HS3FB       | 50   | 3                  | 300              | 100              | 1              | 10             | 150                 | SMB (DO-214AA)      |
| HS3F        | 50   | 3                  | 300              | 150              | 1              | 10             | 150                 | SMC (DO-214AB)      |
| HER304G     | 50   | 3                  | 300              | 125              | 1              | 10             | 150                 | DO-201AD            |
| HER305      | 50   | 3                  | 400              | 150              | 1.3            | 10             | 150                 | DO-201AD            |
| HS3GB       | 50   | 3                  | 400              | 100              | 1.3            | 10             | 150                 | SMB (DO-214AA)      |
| HS3G        | 50   | 3                  | 400              | 150              | 1.3            | 10             | 150                 | SMC (DO-214AB)      |
| HER305G     | 50   | 3                  | 400              | 125              | 1.3            | 10             | 150                 | DO-201AD            |
| MUR440S     | 50   | 4                  | 400              | 75               | 1.25           | 10             | 175                 | SMC (DO-214AB)      |
| MUR440      | 50   | 4                  | 400              | 125              | 1.28           | 10             | 150                 | DO-201AD            |
| MUR460S     | 50   | 4                  | 600              | 75               | 1.25           | 10             | 175                 | SMC (DO-214AB)      |
| MUR460      | 50   | 4                  | 600              | 125              | 1.28           | 10             | 150                 | DO-201AD            |
| HS5A        | 50   | 5                  | 50               | 150              | 1              | 10             | 150                 | SMC (DO-214AB)      |
| HS5B        | 50   | 5                  | 100              | 150              | 1              | 10             | 150                 | SMC (DO-214AB)      |
| HS5D        | 50   | 5                  | 200              | 150              | 1              | 10             | 150                 | SMC (DO-214AB)      |
| HS5F        | 50   | 5                  | 300              | 150              | 1              | 10             | 150                 | SMC (DO-214AB)      |
| HS5G        | 50   | 5                  | 400              | 150              | 1.3            | 10             | 150                 | SMC (DO-214AB)      |
| HER601G     | 50   | 6                  | 50               | 150              | 1              | 10             | 150                 | R-6                 |
| HER602G     | 50   | 6                  | 100              | 150              | 1              | 10             | 150                 | R-6                 |
| HER603G     | 50   | 6                  | 200              | 150              | 1              | 10             | 150                 | R-6                 |
| HER604G     | 50   | 6                  | 300              | 150              | 1              | 10             | 150                 | R-6                 |
| HER605G     | 50   | 6                  | 400              | 150              | 1.3            | 10             | 150                 | R-6                 |
| HERAF801G   | 50   | 8                  | 50               | 150              | 1              | 10             | 150                 | ITO-220AC           |
| HERA801G    | 50   | 8                  | 50               | 150              | 1              | 10             | 150                 | TO-220AC            |
| HERAF802G   | 50   | 8                  | 100              | 150              | 1              | 10             | 150                 | ITO-220AC           |
| HERA802G    | 50   | 8                  | 100              | 150              | 1              | 10             | 150                 | TO-220AC            |
| HERAF803G   | 50   | 8                  | 200              | 150              | 1              | 10             | 150                 | ITO-220AC           |
| HERA803G    | 50   | 8                  | 200              | 150              | 1              | 10             | 150                 | TO-220AC            |
| HERAF804G   | 50   | 8                  | 300              | 150              | 1              | 10             | 150                 | ITO-220AC           |
| HERA804G    | 50   | 8                  | 300              | 150              | 1              | 10             | 150                 | TO-220AC            |
| HERAF805G   | 50   | 8                  | 400              | 150              | 1.3            | 10             | 150                 | ITO-220AC           |
| HERA805G    | 50   | 8                  | 400              | 150              | 1.3            | 10             | 150                 | TO-220AC            |
| MUR840      | 50   | 8                  | 400              | 100              | 1.3            | 5              | 175                 | TO-220AC            |
| MUR860      | 50   | 8                  | 600              | 100              | 1.7            | 5              | 175                 | TO-220AC            |
| HERF1001G   | 50   | 10                 | 50               | 125              | 1              | 10             | 150                 | ITO-220AB           |
| HER1001G    | 50   | 10                 | 50               | 125              | 1              | 10             | 150                 | TO-220AB            |
| HERAF1001G  | 50   | 10                 | 50               | 150              | 1              | 10             | 150                 | ITO-220AC           |
| HERF1002G   | 50   | 10                 | 100              | 125              | 1              | 10             | 150                 | ITO-220AB           |
| HER1002G    | 50   | 10                 | 100              | 125              | 1              | 10             | 150                 | TO-220AB            |
| HERAF1002G  | 50   | 10                 | 100              | 150              | 1              | 10             | 150                 | ITO-220AC           |

## DIODES - HIGH EFFICIENT (50...80ns)

| Part Number | trr  | I <sub>F(AV)</sub> | V <sub>RRM</sub> | I <sub>FSM</sub> | V <sub>F</sub> | I <sub>R</sub> | T <sub>j max.</sub> | Package Description |
|-------------|------|--------------------|------------------|------------------|----------------|----------------|---------------------|---------------------|
|             | (ns) | (A)                | (V)              | (A)              | (V)            | (μA)           | (°C)                |                     |
| HERF1003G   | 50   | 10                 | 200              | 125              | 1              | 10             | 150                 | ITO-220AB           |
| HER1003G    | 50   | 10                 | 200              | 125              | 1              | 10             | 150                 | TO-220AB            |
| HERAF1003G  | 50   | 10                 | 200              | 150              | 1              | 10             | 150                 | ITO-220AC           |
| HERF1004G   | 50   | 10                 | 300              | 125              | 1              | 10             | 150                 | ITO-220AB           |
| HER1004G    | 50   | 10                 | 300              | 125              | 1              | 10             | 150                 | TO-220AB            |
| HERAF1004G  | 50   | 10                 | 300              | 150              | 1              | 10             | 150                 | ITO-220AC           |
| HERF1005G   | 50   | 10                 | 400              | 125              | 1.3            | 10             | 150                 | ITO-220AB           |
| HER1005G    | 50   | 10                 | 400              | 125              | 1.3            | 10             | 150                 | TO-220AB            |
| HERAF1005G  | 50   | 10                 | 400              | 150              | 1.3            | 10             | 150                 | ITO-220AC           |
| HERF1601G   | 50   | 16                 | 50               | 125              | 1              | 10             | 150                 | ITO-220AB           |
| HER1601G    | 50   | 16                 | 50               | 125              | 1              | 10             | 150                 | TO-220AB            |
| HER1601PT   | 50   | 16                 | 50               | 200              | 1              | 10             | 150                 | TO-3P               |
| HERAF1601G  | 50   | 16                 | 50               | 250              | 1              | 10             | 150                 | ITO-220AC           |
| HERF1602G   | 50   | 16                 | 100              | 125              | 1              | 10             | 150                 | ITO-220AB           |
| HER1602G    | 50   | 16                 | 100              | 125              | 1              | 10             | 150                 | TO-220AB            |
| HER1602PT   | 50   | 16                 | 100              | 200              | 1              | 10             | 150                 | TO-3P               |
| HERAF1602G  | 50   | 16                 | 100              | 250              | 1              | 10             | 150                 | ITO-220AC           |
| HERF1603G   | 50   | 16                 | 200              | 125              | 1              | 10             | 150                 | ITO-220AB           |
| HER1603G    | 50   | 16                 | 200              | 125              | 1              | 10             | 150                 | TO-220AB            |
| HER1603PT   | 50   | 16                 | 200              | 200              | 1              | 10             | 150                 | TO-3P               |
| HERAF1603G  | 50   | 16                 | 200              | 250              | 1              | 10             | 150                 | ITO-220AC           |
| HERF1604G   | 50   | 16                 | 300              | 125              | 1              | 10             | 150                 | ITO-220AB           |
| HER1604G    | 50   | 16                 | 300              | 125              | 1              | 10             | 150                 | TO-220AB            |
| HER1604PT   | 50   | 16                 | 300              | 200              | 1.3            | 10             | 150                 | TO-3P               |
| HERAF1604G  | 50   | 16                 | 300              | 250              | 1              | 10             | 150                 | ITO-220AC           |
| MURF1640CT  | 50   | 16                 | 400              | 100              | 1.3            | 10             | 150                 | ITO-220AB           |
| HERF1605G   | 50   | 16                 | 400              | 125              | 1.3            | 10             | 150                 | ITO-220AB           |
| HER1605G    | 50   | 16                 | 400              | 125              | 1.3            | 10             | 150                 | TO-220AB            |
| HER1605PT   | 50   | 16                 | 400              | 200              | 1.3            | 10             | 150                 | TO-3P               |
| HERAF1605G  | 50   | 16                 | 400              | 250              | 1.3            | 10             | 150                 | ITO-220AC           |
| MUR1640CT   | 50   | 16                 | 400              | 100              | 1.3            | 10             | 175                 | TO-220AB            |
| MURF1660CT  | 50   | 16                 | 600              | 100              | 1.5            | 10             | 150                 | ITO-220AB           |
| MUR1660CT   | 50   | 16                 | 600              | 100              | 1.5            | 10             | 175                 | TO-220AB            |
| HER3001PT   | 50   | 30                 | 50               | 300              | 1              | 10             | 150                 | TO-3P               |
| HER3002PT   | 50   | 30                 | 100              | 300              | 1              | 10             | 150                 | TO-3P               |
| HER3003PT   | 50   | 30                 | 200              | 300              | 1              | 10             | 150                 | TO-3P               |
| HER3004PT   | 50   | 30                 | 300              | 300              | 1              | 10             | 150                 | TO-3P               |
| HER3005PT   | 50   | 30                 | 400              | 300              | 1.3            | 10             | 150                 | TO-3P               |
| SF3008PT    | 50   | 30                 | 600              | 300              | 1.7            | 10             | 150                 | TO-3P               |
| HT16        | 75   | 1                  | 600              | 30               | 1.7            | 5              | 150                 | TS-1                |
| HER106S     | 75   | 1                  | 600              | 30               | 1.7            | 5              | 150                 | A-405               |
| HER106      | 75   | 1                  | 600              | 30               | 1.7            | 5              | 150                 | DO-41               |
| HS1JL       | 75   | 1                  | 600              | 30               | 1.7            | 5              | 150                 | Sub SMA             |
| HS1J        | 75   | 1                  | 600              | 30               | 1.7            | 5              | 150                 | SMA (DO-214AC)      |
| US1J        | 75   | 1                  | 600              | 30               | 1.7            | 5              | 150                 | SMA (DO-214AC)      |
| HT16G       | 75   | 1                  | 600              | 30               | 1.7            | 5              | 150                 | TS-1                |
| HER106SG    | 75   | 1                  | 600              | 30               | 1.7            | 5              | 150                 | A-405               |

## DIODES - HIGH EFFICIENT (50...80ns)

| Part Number | trr  | I <sub>F(AV)</sub> | V <sub>RRM</sub> | I <sub>FSM</sub> | V <sub>F</sub> | I <sub>R</sub> | T <sub>j max.</sub> | Package Description |
|-------------|------|--------------------|------------------|------------------|----------------|----------------|---------------------|---------------------|
|             | (ns) | (A)                | (V)              | (A)              | (V)            | (μA)           | (°C)                |                     |
| HER106G     | 75   | 1                  | 600              | 30               | 1.7            | 5              | 150                 | DO-41               |
| UF1J        | 75   | 1                  | 600              | 30               | 1.7            | 5              | 150                 | DO-41               |
| UF4005      | 75   | 1                  | 600              | 30               | 1.7            | 5              | 150                 | DO-41               |
| HT17        | 75   | 1                  | 800              | 30               | 1.7            | 5              | 150                 | TS-1                |
| HER107S     | 75   | 1                  | 800              | 30               | 1.7            | 5              | 150                 | A-405               |
| HER107      | 75   | 1                  | 800              | 30               | 1.7            | 5              | 150                 | DO-41               |
| HS1KL       | 75   | 1                  | 800              | 30               | 1.7            | 5              | 150                 | Sub SMA             |
| HS1K        | 75   | 1                  | 800              | 30               | 1.7            | 5              | 150                 | SMA (DO-214AC)      |
| US1K        | 75   | 1                  | 800              | 30               | 1.7            | 5              | 150                 | SMA (DO-214AC)      |
| HT17G       | 75   | 1                  | 800              | 30               | 1.7            | 5              | 150                 | TS-1                |
| HER107SG    | 75   | 1                  | 800              | 30               | 1.7            | 5              | 150                 | A-405               |
| HER107G     | 75   | 1                  | 800              | 30               | 1.7            | 5              | 150                 | DO-41               |
| UF1K        | 75   | 1                  | 800              | 30               | 1.7            | 5              | 150                 | DO-41               |
| UF4006      | 75   | 1                  | 800              | 30               | 1.7            | 5              | 150                 | DO-41               |
| MUR190A     | 75   | 1                  | 900              | 35               | 1.7            | 5              | 175                 | DO-41               |
| MUR190      | 75   | 1                  | 900              | 35               | 1.7            | 5              | 175                 | DO-15               |
| HT18        | 75   | 1                  | 1,000            | 30               | 1.7            | 5              | 150                 | TS-1                |
| HER108S     | 75   | 1                  | 1,000            | 30               | 1.7            | 5              | 150                 | A-405               |
| HER108      | 75   | 1                  | 1,000            | 30               | 1.7            | 5              | 150                 | DO-41               |
| HS1ML       | 75   | 1                  | 1,000            | 30               | 1.7            | 5              | 150                 | Sub SMA             |
| HS1M        | 75   | 1                  | 1,000            | 30               | 1.7            | 5              | 150                 | SMA (DO-214AC)      |
| BYG23M      | 75   | 1                  | 1,000            | 30               | 1.7            | 5              | 150                 | SMA (DO-214AC)      |
| US1M        | 75   | 1                  | 1,000            | 30               | 1.7            | 5              | 150                 | SMA (DO-214AC)      |
| HT18G       | 75   | 1                  | 1,000            | 30               | 1.7            | 5              | 150                 | TS-1                |
| HER108SG    | 75   | 1                  | 1,000            | 30               | 1.7            | 5              | 150                 | A-405               |
| HER108G     | 75   | 1                  | 1,000            | 30               | 1.7            | 5              | 150                 | DO-41               |
| UF1M        | 75   | 1                  | 1,000            | 30               | 1.7            | 5              | 150                 | DO-41               |
| UF4007      | 75   | 1                  | 1,000            | 30               | 1.7            | 5              | 150                 | DO-41               |
| BYG20D      | 75   | 1.5                | 200              | 30               | 1.3            | 1              | 150                 | SMA (DO-214AC)      |
| BYG20G      | 75   | 1.5                | 400              | 30               | 1.3            | 1              | 150                 | SMA (DO-214AC)      |
| HER156      | 75   | 1.5                | 600              | 50               | 1.7            | 5              | 150                 | DO-15               |
| BYG20J      | 75   | 1.5                | 600              | 30               | 1.3            | 1              | 150                 | SMA (DO-214AC)      |
| HS2JA       | 75   | 1.5                | 600              | 50               | 1.7            | 5              | 150                 | SMA (DO-214AC)      |
| HER156G     | 75   | 1.5                | 600              | 50               | 1.7            | 5              | 150                 | DO-15               |
| HER157      | 75   | 1.5                | 800              | 50               | 1.7            | 5              | 150                 | DO-15               |
| HS2KA       | 75   | 1.5                | 800              | 50               | 1.7            | 5              | 150                 | SMA (DO-214AC)      |
| HER157G     | 75   | 1.5                | 800              | 50               | 1.7            | 5              | 150                 | DO-15               |
| HER158      | 75   | 1.5                | 1,000            | 50               | 1.7            | 5              | 150                 | DO-15               |
| HS2MA       | 75   | 1.5                | 1,000            | 50               | 1.7            | 5              | 150                 | SMA (DO-214AC)      |
| HER158G     | 75   | 1.5                | 1,000            | 50               | 1.7            | 5              | 150                 | DO-15               |
| HER206      | 75   | 2                  | 600              | 60               | 1.7            | 5              | 150                 | DO-15               |
| HS2J        | 75   | 2                  | 600              | 50               | 1.7            | 5              | 150                 | SMB (DO-214AA)      |
| HER206G     | 75   | 2                  | 600              | 60               | 1.7            | 5              | 150                 | DO-15               |
| HER207      | 75   | 2                  | 800              | 60               | 1.7            | 5              | 150                 | DO-15               |
| HS2K        | 75   | 2                  | 800              | 50               | 1.7            | 5              | 150                 | SMB (DO-214AA)      |
| HER207G     | 75   | 2                  | 800              | 60               | 1.7            | 5              | 150                 | DO-15               |
| HS2M        | 75   | 2                  | 1,000            | 50               | 1.7            | 5              | 150                 | SMB (DO-214AA)      |

## DIODES - HIGH EFFICIENT (50...80ns)

## DIODES - SUPER FAST (35...40ns)

| Part Number | trr  | I <sub>F(AV)</sub> | V <sub>RRM</sub> | I <sub>FSM</sub> | V <sub>F</sub> | I <sub>R</sub> | T <sub>J</sub> max. | Package Description |
|-------------|------|--------------------|------------------|------------------|----------------|----------------|---------------------|---------------------|
|             | (ns) | (A)                | (V)              | (A)              | (V)            | (μA)           | (°C)                |                     |
| HER208G     | 75   | 2                  | 1,000            | 60               | 1.7            | 5              | 150                 | DO-15               |
| TPAU3D*     | 75   | 3                  | 200              | 50               | 1.5            | 1              | 175                 | SMPC (TO-277A)      |
| TPAU3G*     | 75   | 3                  | 400              | 50               | 1.5            | 1              | 175                 | SMPC (TO-277A)      |
| HER306      | 75   | 3                  | 600              | 150              | 1.7            | 10             | 150                 | DO-201AD            |
| HS3JB       | 75   | 3                  | 600              | 100              | 1.7            | 10             | 150                 | SMB (DO-214AA)      |
| HS3J        | 75   | 3                  | 600              | 150              | 1.7            | 10             | 150                 | SMC (DO-214AB)      |
| TPAU3J*     | 75   | 3                  | 600              | 50               | 1.5            | 1              | 175                 | SMPC (TO-277A)      |
| HER306G     | 75   | 3                  | 600              | 125              | 1.7            | 10             | 150                 | DO-201AD            |
| HER307      | 75   | 3                  | 800              | 150              | 1.7            | 10             | 150                 | DO-201AD            |
| HS3KB       | 75   | 3                  | 800              | 100              | 1.7            | 10             | 150                 | SMB (DO-214AA)      |
| HS3K        | 75   | 3                  | 800              | 150              | 1.7            | 10             | 150                 | SMC (DO-214AB)      |
| HER307G     | 75   | 3                  | 800              | 125              | 1.7            | 10             | 150                 | DO-201AD            |
| HS3MB       | 75   | 3                  | 1,000            | 100              | 1.7            | 10             | 150                 | SMB (DO-214AA)      |
| HS3M        | 75   | 3                  | 1,000            | 150              | 1.7            | 10             | 150                 | SMC (DO-214AB)      |
| TPAU3M*     | 75   | 3                  | 1,000            | 50               | 2.2            | 1              | 175                 | SMPC (TO-277A)      |
| HER308G     | 75   | 3                  | 1,000            | 125              | 1.7            | 10             | 150                 | DO-201AD            |
| HS5J        | 75   | 5                  | 600              | 150              | 1.7            | 10             | 150                 | SMC (DO-214AB)      |
| HS5K        | 75   | 5                  | 800              | 150              | 1.7            | 10             | 150                 | SMC (DO-214AB)      |
| HS5M        | 75   | 5                  | 1,000            | 150              | 1.7            | 10             | 150                 | SMC (DO-214AB)      |
| HER606G     | 75   | 6                  | 600              | 150              | 1.7            | 10             | 150                 | R-6                 |
| HERAF806G   | 80   | 8                  | 600              | 150              | 1.7            | 10             | 150                 | ITO-220AC           |
| HERA806G    | 80   | 8                  | 600              | 150              | 1.7            | 10             | 150                 | TO-220AC            |
| HERAF807G   | 80   | 8                  | 800              | 150              | 1.7            | 10             | 150                 | ITO-220AC           |
| HERA807G    | 80   | 8                  | 800              | 150              | 1.7            | 10             | 150                 | TO-220AC            |
| HERAF808G   | 80   | 8                  | 1,000            | 150              | 1.7            | 10             | 150                 | ITO-220AC           |
| HERA808G    | 80   | 8                  | 1,000            | 150              | 1.7            | 10             | 150                 | TO-220AC            |
| HERF1006G   | 80   | 10                 | 600              | 125              | 1.7            | 10             | 150                 | ITO-220AB           |
| HER1006G    | 80   | 10                 | 600              | 125              | 1.7            | 10             | 150                 | TO-220AB            |
| HERAF1006G  | 80   | 10                 | 600              | 150              | 1.7            | 10             | 150                 | ITO-220AC           |
| HERF1007G   | 80   | 10                 | 800              | 125              | 1.7            | 10             | 150                 | ITO-220AB           |
| HER1007G    | 80   | 10                 | 800              | 125              | 1.7            | 10             | 150                 | TO-220AB            |
| HERAF1007G  | 80   | 10                 | 800              | 150              | 1.7            | 10             | 150                 | ITO-220AC           |
| HERF1008G   | 80   | 10                 | 1,000            | 125              | 1.7            | 10             | 150                 | ITO-220AB           |
| HER1008G    | 80   | 10                 | 1,000            | 125              | 1.7            | 10             | 150                 | TO-220AB            |
| HERAF1008G  | 80   | 10                 | 1,000            | 150              | 1.7            | 10             | 150                 | ITO-220AC           |
| HERF1606G   | 80   | 16                 | 600              | 125              | 1.7            | 10             | 150                 | ITO-220AB           |
| HER1606G    | 80   | 16                 | 600              | 125              | 1.7            | 10             | 150                 | TO-220AB            |
| HER1606PT   | 80   | 16                 | 600              | 200              | 1.7            | 10             | 150                 | TO-3P               |
| HERAF1606G  | 80   | 16                 | 600              | 250              | 1.7            | 10             | 150                 | ITO-220AC           |
| HERF1607G   | 80   | 16                 | 800              | 125              | 1.7            | 10             | 150                 | ITO-220AB           |
| HER1607G    | 80   | 16                 | 800              | 125              | 1.7            | 10             | 150                 | TO-220AB            |
| HER1607PT   | 80   | 16                 | 800              | 200              | 1.7            | 10             | 150                 | TO-3P               |
| HERF1608G   | 80   | 16                 | 1,000            | 125              | 1.7            | 10             | 150                 | ITO-220AB           |
| HER1608G    | 80   | 16                 | 1,000            | 125              | 1.7            | 10             | 150                 | TO-220AB            |
| HER1608PT   | 80   | 16                 | 1,000            | 200              | 1.7            | 10             | 150                 | TO-3P               |
| HER3006PT   | 80   | 30                 | 600              | 300              | 1.7            | 10             | 150                 | TO-3P               |

Note. \* - Q4/2014

(T<sub>A</sub>=25°C unless otherwise noted)

| Part Number | trr  | I <sub>F(AV)</sub> | V <sub>RRM</sub> | I <sub>FSM</sub> | V <sub>F</sub> | I <sub>R</sub> | T <sub>J</sub> max. | Package Description |
|-------------|------|--------------------|------------------|------------------|----------------|----------------|---------------------|---------------------|
|             | (ns) | (A)                | (V)              | (A)              | (V)            | (μA)           | (°C)                |                     |
| SF11S       | 35   | 1                  | 50               | 30               | 0.95           | 5              | 150                 | A-405               |
| SF11        | 35   | 1                  | 50               | 30               | 0.95           | 5              | 150                 | DO-41               |
| ES1AL       | 35   | 1                  | 50               | 30               | 0.95           | 5              | 150                 | Sub SMA             |
| ES1A        | 35   | 1                  | 50               | 30               | 0.95           | 5              | 150                 | SMA (DO-214AC)      |
| SFT11G      | 35   | 1                  | 50               | 30               | 0.95           | 5              | 150                 | TS-1                |
| SF11SG      | 35   | 1                  | 50               | 30               | 0.95           | 5              | 150                 | A-405               |
| SF11G       | 35   | 1                  | 50               | 30               | 0.95           | 5              | 150                 | DO-41               |
| SF12S       | 35   | 1                  | 100              | 30               | 0.95           | 5              | 150                 | A-405               |
| SF12        | 35   | 1                  | 100              | 30               | 0.95           | 5              | 150                 | DO-41               |
| ES1BL       | 35   | 1                  | 100              | 30               | 0.95           | 5              | 150                 | Sub SMA             |
| ES1B        | 35   | 1                  | 100              | 30               | 0.95           | 5              | 150                 | SMA (DO-214AC)      |
| SFT12G      | 35   | 1                  | 100              | 30               | 0.95           | 5              | 150                 | TS-1                |
| SF12SG      | 35   | 1                  | 100              | 30               | 0.95           | 5              | 150                 | A-405               |
| SF12G       | 35   | 1                  | 100              | 30               | 0.95           | 5              | 150                 | DO-41               |
| SF13S       | 35   | 1                  | 150              | 30               | 0.95           | 5              | 150                 | A-405               |
| SF13        | 35   | 1                  | 150              | 30               | 0.95           | 5              | 150                 | DO-41               |
| ES1CL       | 35   | 1                  | 150              | 30               | 0.95           | 5              | 150                 | Sub SMA             |
| ES1C        | 35   | 1                  | 150              | 30               | 0.95           | 5              | 150                 | SMA (DO-214AC)      |
| SFT13G      | 35   | 1                  | 150              | 30               | 0.95           | 5              | 150                 | TS-1                |
| SF13SG      | 35   | 1                  | 150              | 30               | 0.95           | 5              | 150                 | A-405               |
| SF13G       | 35   | 1                  | 150              | 30               | 0.95           | 5              | 150                 | DO-41               |
| SF14S       | 35   | 1                  | 200              | 30               | 0.95           | 5              | 150                 | A-405               |
| SF14        | 35   | 1                  | 200              | 30               | 0.95           | 5              | 150                 | DO-41               |
| ES1DL       | 35   | 1                  | 200              | 30               | 0.95           | 5              | 150                 | Sub SMA             |
| ES1D        | 35   | 1                  | 200              | 30               | 0.95           | 5              | 150                 | SMA (DO-214AC)      |
| SFT14G      | 35   | 1                  | 200              | 30               | 0.95           | 5              | 150                 | TS-1                |
| SF14SG      | 35   | 1                  | 200              | 30               | 0.95           | 5              | 150                 | A-405               |
| SF14G       | 35   | 1                  | 200              | 30               | 0.95           | 5              | 150                 | DO-41               |
| SF15S       | 35   | 1                  | 300              | 30               | 1.30           | 5              | 150                 | A-405               |
| SF15        | 35   | 1                  | 300              | 30               | 1.3            | 5              | 150                 | DO-41               |
| ES1FL       | 35   | 1                  | 300              | 30               | 1.3            | 5              | 150                 | Sub SMA             |
| ES1F        | 35   | 1                  | 300              | 30               | 1.3            | 5              | 150                 | SMA (DO-214AC)      |
| SFT15G      | 35   | 1                  | 300              | 30               | 1.3            | 5              | 150                 | TS-1                |
| SF15SG      | 35   | 1                  | 300              | 30               | 1.3            | 5              | 150                 | A-405               |
| SF15G       | 35   | 1                  | 300              | 30               | 1.3            | 5              | 150                 | DO-41               |
| SF16S       | 35   | 1                  | 400              | 30               | 1.3            | 5              | 150                 | A-405               |
| SF16        | 35   | 1                  | 400              | 30               | 1.3            | 5              | 150                 | DO-41               |
| ES1GL       | 35   | 1                  | 400              | 30               | 1.3            | 5              | 150                 | Sub SMA             |
| ES1G        | 35   | 1                  | 400              | 30               | 1.3            | 5              | 150                 | SMA (DO-214AC)      |
| SFT16G      | 35   | 1                  | 400              | 30               | 1.3            | 5              | 150                 | TS-1                |
| SF16SG      | 35   | 1                  | 400              | 30               | 1.3            | 5              | 150                 | A-405               |
| SF16G       | 35   | 1                  | 400              | 30               | 1.3            | 5              | 150                 | DO-41               |
| SF17S       | 35   | 1                  | 500              | 30               | 1.7            | 5              | 150                 | A-405               |
| SF17        | 35   | 1                  | 500              | 30               | 1.7            | 5              | 150                 | DO-41               |
| ES1HL       | 35   | 1                  | 500              | 30               | 1.7            | 5              | 150                 | Sub SMA             |
| ES1H        | 35   | 1                  | 500              | 30               | 1.7            | 5              | 150                 | SMA (DO-214AC)      |



## DIODES - SUPER FAST (35...40ns)

| Part Number | trr  | I <sub>F(AV)</sub> | V <sub>RRM</sub> | I <sub>FSM</sub> | V <sub>F</sub> | I <sub>R</sub> | T <sub>j</sub> max. | Package Description |
|-------------|------|--------------------|------------------|------------------|----------------|----------------|---------------------|---------------------|
|             | (ns) | (A)                | (V)              | (A)              | (V)            | (μA)           | (°C)                |                     |
| SFT17G      | 35   | 1                  | 500              | 30               | 1.7            | 5              | 150                 | TS-1                |
| SF17SG      | 35   | 1                  | 500              | 30               | 1.7            | 5              | 150                 | A-405               |
| SF17G       | 35   | 1                  | 500              | 30               | 1.7            | 5              | 150                 | DO-41               |
| SF18S       | 35   | 1                  | 600              | 30               | 1.7            | 5              | 150                 | A-405               |
| SF18        | 35   | 1                  | 600              | 30               | 1.7            | 5              | 150                 | DO-41               |
| ES1JL       | 35   | 1                  | 600              | 30               | 1.7            | 5              | 150                 | Sub SMA             |
| ES1J        | 35   | 1                  | 600              | 30               | 1.7            | 5              | 150                 | SMA (DO-214AC)      |
| SFT18G      | 35   | 1                  | 600              | 30               | 1.7            | 5              | 150                 | TS-1                |
| SF18SG      | 35   | 1                  | 600              | 30               | 1.7            | 5              | 150                 | A-405               |
| SF18G       | 35   | 1                  | 600              | 30               | 1.7            | 5              | 150                 | DO-41               |
| SF21        | 35   | 2                  | 50               | 50               | 0.95           | 5              | 150                 | DO-15               |
| ES2AA       | 35   | 2                  | 50               | 50               | 0.95           | 10             | 150                 | SMA (DO-214AC)      |
| ES2A        | 35   | 2                  | 50               | 50               | 0.95           | 10             | 150                 | SMB (DO-214AA)      |
| SF21G       | 35   | 2                  | 50               | 50               | 0.95           | 5              | 150                 | DO-15               |
| SF22        | 35   | 2                  | 100              | 50               | 0.95           | 5              | 150                 | DO-15               |
| ES2BA       | 35   | 2                  | 100              | 50               | 0.95           | 10             | 150                 | SMA (DO-214AC)      |
| ES2B        | 35   | 2                  | 100              | 50               | 0.95           | 10             | 150                 | SMB (DO-214AA)      |
| SF22G       | 35   | 2                  | 100              | 50               | 0.95           | 5              | 150                 | DO-15               |
| SF23        | 35   | 2                  | 150              | 50               | 0.95           | 5              | 150                 | DO-15               |
| ES2CA       | 35   | 2                  | 150              | 50               | 0.95           | 10             | 150                 | SMA (DO-214AC)      |
| ES2C        | 35   | 2                  | 150              | 50               | 0.95           | 10             | 150                 | SMB (DO-214AA)      |
| SF23G       | 35   | 2                  | 150              | 50               | 0.95           | 5              | 150                 | DO-15               |
| SF24        | 35   | 2                  | 200              | 50               | 0.95           | 5              | 150                 | DO-15               |
| ES2DA       | 35   | 2                  | 200              | 50               | 0.95           | 10             | 150                 | SMA (DO-214AC)      |
| ES2D        | 35   | 2                  | 200              | 50               | 0.95           | 10             | 150                 | SMB (DO-214AA)      |
| SF24G       | 35   | 2                  | 200              | 50               | 0.95           | 5              | 150                 | DO-15               |
| SF25        | 35   | 2                  | 300              | 50               | 1.3            | 5              | 150                 | DO-15               |
| ES2FA       | 35   | 2                  | 300              | 50               | 1.3            | 10             | 150                 | SMA (DO-214AC)      |
| ES2F        | 35   | 2                  | 300              | 50               | 1.3            | 10             | 150                 | SMB (DO-214AA)      |
| SF25G       | 35   | 2                  | 300              | 50               | 1.3            | 5              | 150                 | DO-15               |
| SF26        | 35   | 2                  | 400              | 50               | 1.3            | 5              | 150                 | DO-15               |
| ES2GA       | 35   | 2                  | 400              | 50               | 1.3            | 10             | 150                 | SMA (DO-214AC)      |
| ES2G        | 35   | 2                  | 400              | 50               | 1.3            | 10             | 150                 | SMB (DO-214AA)      |
| SF26G       | 35   | 2                  | 400              | 50               | 1.3            | 5              | 150                 | DO-15               |
| SF27        | 35   | 2                  | 500              | 50               | 1.7            | 5              | 150                 | DO-15               |
| ES2HA       | 35   | 2                  | 500              | 50               | 1.7            | 10             | 150                 | SMA (DO-214AC)      |
| ES2H        | 35   | 2                  | 500              | 50               | 1.7            | 10             | 150                 | SMB (DO-214AA)      |
| SF27G       | 35   | 2                  | 500              | 50               | 1.7            | 5              | 150                 | DO-15               |
| SF28        | 35   | 2                  | 600              | 50               | 1.7            | 5              | 150                 | DO-15               |
| ES2JA       | 35   | 2                  | 600              | 50               | 1.7            | 10             | 150                 | SMA (DO-214AC)      |
| ES2J        | 35   | 2                  | 600              | 50               | 1.7            | 10             | 150                 | SMB (DO-214AA)      |
| SF28G       | 35   | 2                  | 600              | 50               | 1.7            | 5              | 150                 | DO-15               |
| SF31        | 35   | 3                  | 50               | 125              | 0.95           | 5              | 125                 | DO-201AD            |
| ES3A        | 35   | 3                  | 50               | 100              | 0.95           | 10             | 150                 | SMC(DO-214AB)       |
| SF31G       | 35   | 3                  | 50               | 125              | 0.95           | 5              | 150                 | DO-201AD            |
| SF32        | 35   | 3                  | 100              | 125              | 0.95           | 5              | 125                 | DO-201AD            |
| ES3B        | 35   | 3                  | 100              | 100              | 0.95           | 10             | 150                 | SMC(DO-214AB)       |

## DIODES - SUPER FAST (35...40ns)

| Part Number | trr  | I <sub>F(AV)</sub> | V <sub>RRM</sub> | I <sub>FSM</sub> | V <sub>F</sub> | I <sub>R</sub> | T <sub>j</sub> max. | Package Description |
|-------------|------|--------------------|------------------|------------------|----------------|----------------|---------------------|---------------------|
|             | (ns) | (A)                | (V)              | (A)              | (V)            | (μA)           | (°C)                |                     |
| SF32G       | 35   | 3                  | 100              | 125              | 0.95           | 5              | 150                 | DO-201AD            |
| SF33        | 35   | 3                  | 150              | 125              | 0.95           | 5              | 125                 | DO-201AD            |
| ES3C        | 35   | 3                  | 150              | 100              | 0.95           | 10             | 150                 | SMC(DO-214AB)       |
| SF33G       | 35   | 3                  | 150              | 125              | 0.95           | 5              | 150                 | DO-201AD            |
| SF34        | 35   | 3                  | 200              | 125              | 0.95           | 5              | 125                 | DO-201AD            |
| ES3D        | 35   | 3                  | 200              | 100              | 0.95           | 10             | 150                 | SMC(DO-214AB)       |
| SF34G       | 35   | 3                  | 200              | 125              | 0.95           | 5              | 150                 | DO-201AD            |
| SF35        | 35   | 3                  | 300              | 125              | 1.3            | 5              | 125                 | DO-201AD            |
| ES3F        | 35   | 3                  | 300              | 100              | 1.3            | 10             | 150                 | SMC(DO-214AB)       |
| SF35G       | 35   | 3                  | 300              | 125              | 1.3            | 5              | 150                 | DO-201AD            |
| 31DF4       | 35   | 3                  | 400              | 45               | 1.7            | 20             | 150                 | DO-201AD            |
| SF36        | 35   | 3                  | 400              | 125              | 1.3            | 5              | 125                 | DO-201AD            |
| ES3G        | 35   | 3                  | 400              | 100              | 1.3            | 10             | 150                 | SMC(DO-214AB)       |
| SF36G       | 35   | 3                  | 400              | 125              | 1.3            | 5              | 150                 | DO-201AD            |
| SF37        | 35   | 3                  | 500              | 125              | 1.7            | 5              | 125                 | DO-201AD            |
| ES3H        | 35   | 3                  | 500              | 100              | 1.7            | 10             | 150                 | SMC(DO-214AB)       |
| SF37G       | 35   | 3                  | 500              | 125              | 1.7            | 5              | 150                 | DO-201AD            |
| 31DF6       | 35   | 3                  | 600              | 45               | 1.7            | 20             | 150                 | DO-201AD            |
| SF38        | 35   | 3                  | 600              | 125              | 1.7            | 5              | 125                 | DO-201AD            |
| ES3J        | 35   | 3                  | 600              | 100              | 1.7            | 10             | 150                 | SMC(DO-214AB)       |
| SF38G       | 35   | 3                  | 600              | 125              | 1.7            | 5              | 150                 | DO-201AD            |
| SF41G       | 35   | 4                  | 50               | 125              | 1              | 5              | 150                 | DO-201AD            |
| SF42G       | 35   | 4                  | 100              | 125              | 1              | 5              | 150                 | DO-201AD            |
| SF43G       | 35   | 4                  | 150              | 125              | 1              | 5              | 150                 | DO-201AD            |
| SF44G       | 35   | 4                  | 200              | 125              | 1              | 5              | 150                 | DO-201AD            |
| SF45G       | 35   | 4                  | 300              | 125              | 1.3            | 5              | 150                 | DO-201AD            |
| SF46G       | 35   | 4                  | 400              | 125              | 1.3            | 5              | 150                 | DO-201AD            |
| SF47G       | 35   | 4                  | 500              | 125              | 1.7            | 5              | 150                 | DO-201AD            |
| SF48G       | 35   | 4                  | 600              | 125              | 1.7            | 5              | 150                 | DO-201AD            |
| SFF501G     | 35   | 5                  | 50               | 70               | 0.98           | 10             | 150                 | ITO-220AB           |
| SFAF501G    | 35   | 5                  | 50               | 125              | 0.975          | 10             | 150                 | ITO-220AC           |
| SFF502G     | 35   | 5                  | 100              | 70               | 0.98           | 10             | 150                 | ITO-220AB           |
| SFAF502G    | 35   | 5                  | 100              | 125              | 0.975          | 10             | 150                 | ITO-220AC           |
| SFF503G     | 35   | 5                  | 150              | 70               | 0.98           | 10             | 150                 | ITO-220AB           |
| SFAF503G    | 35   | 5                  | 150              | 125              | 0.975          | 10             | 150                 | ITO-220AC           |
| SFF504G     | 35   | 5                  | 200              | 70               | 0.98           | 10             | 150                 | ITO-220AB           |
| SFAF504G    | 35   | 5                  | 200              | 125              | 0.975          | 10             | 150                 | ITO-220AC           |
| SFF505G     | 35   | 5                  | 300              | 70               | 1.3            | 10             | 150                 | ITO-220AB           |
| SFAF505G    | 35   | 5                  | 300              | 125              | 1.3            | 10             | 150                 | ITO-220AC           |
| SFF506G     | 35   | 5                  | 400              | 70               | 1.3            | 10             | 150                 | ITO-220AB           |
| SFAF506G    | 35   | 5                  | 400              | 125              | 1.3            | 10             | 150                 | ITO-220AC           |
| SFF507G     | 35   | 5                  | 500              | 70               | 1.7            | 10             | 150                 | ITO-220AB           |
| SFAF507G    | 35   | 5                  | 500              | 125              | 1.7            | 10             | 150                 | ITO-220AC           |
| SFF508G     | 35   | 5                  | 600              | 70               | 1.7            | 10             | 150                 | ITO-220AB           |
| SFAF508G    | 35   | 5                  | 600              | 125              | 1.7            | 10             | 150                 | ITO-220AC           |
| SF61G       | 35   | 6                  | 50               | 150              | 0.975          | 5              | 150                 | DO-201AD            |
| SF62G       | 35   | 6                  | 100              | 150              | 0.975          | 5              | 150                 | DO-201AD            |

## DIODES - SUPER FAST (35...40ns)

| Part Number | trr  | I <sub>F(AV)</sub> | V <sub>RRM</sub> | I <sub>FSM</sub> | V <sub>F</sub> | I <sub>R</sub> | T <sub>j</sub> max. | Package Description          |
|-------------|------|--------------------|------------------|------------------|----------------|----------------|---------------------|------------------------------|
|             | (ns) | (A)                | (V)              | (A)              | (V)            | (μA)           | (°C)                |                              |
| SF63G       | 35   | 6                  | 150              | 150              | 0.975          | 5              | 150                 | DO-201AD                     |
| SF64G       | 35   | 6                  | 200              | 150              | 0.975          | 5              | 150                 | DO-201AD                     |
| SF65G       | 35   | 6                  | 300              | 150              | 1.3            | 5              | 150                 | DO-201AD                     |
| SF66G       | 35   | 6                  | 400              | 150              | 1.3            | 5              | 150                 | DO-201AD                     |
| SF67G       | 35   | 6                  | 500              | 150              | 1.7            | 5              | 150                 | DO-201AD                     |
| SF68G       | 35   | 6                  | 600              | 150              | 1.7            | 5              | 150                 | DO-201AD                     |
| SFAS801G    | 35   | 8                  | 50               | 125              | 0.95           | 10             | 150                 | D <sup>2</sup> -Pak (TO-263) |
| SFAF801G    | 35   | 8                  | 50               | 125              | 0.95           | 10             | 150                 | ITO-220AC                    |
| SF801G      | 35   | 8                  | 50               | 125              | 0.975          | 10             | 150                 | TO-220AB                     |
| SFA801G     | 35   | 8                  | 50               | 125              | 0.95           | 10             | 150                 | TO-220AC                     |
| SFAS802G    | 35   | 8                  | 100              | 125              | 0.95           | 10             | 150                 | D <sup>2</sup> -Pak (TO-263) |
| SFAF802G    | 35   | 8                  | 100              | 125              | 0.95           | 10             | 150                 | ITO-220AC                    |
| SF802G      | 35   | 8                  | 100              | 125              | 0.975          | 10             | 150                 | TO-220AB                     |
| SFA802G     | 35   | 8                  | 100              | 125              | 0.95           | 10             | 150                 | TO-220AC                     |
| SFAS803G    | 35   | 8                  | 150              | 125              | 0.95           | 10             | 150                 | D <sup>2</sup> -Pak (TO-263) |
| SFAF803G    | 35   | 8                  | 150              | 125              | 0.95           | 10             | 150                 | ITO-220AC                    |
| SF803G      | 35   | 8                  | 150              | 125              | 0.975          | 10             | 150                 | TO-220AB                     |
| SFA803G     | 35   | 8                  | 150              | 125              | 0.95           | 10             | 150                 | TO-220AC                     |
| SFAS804G    | 35   | 8                  | 200              | 125              | 0.95           | 10             | 150                 | D <sup>2</sup> -Pak (TO-263) |
| SFAF804G    | 35   | 8                  | 200              | 125              | 0.95           | 10             | 150                 | ITO-220AC                    |
| SF804G      | 35   | 8                  | 200              | 125              | 0.975          | 10             | 150                 | TO-220AB                     |
| SFA804G     | 35   | 8                  | 200              | 125              | 0.95           | 10             | 150                 | TO-220AC                     |
| SFAS805G    | 35   | 8                  | 300              | 125              | 1.3            | 10             | 150                 | D <sup>2</sup> -Pak (TO-263) |
| SFAF805G    | 35   | 8                  | 300              | 125              | 1.3            | 10             | 150                 | ITO-220AC                    |
| SF805G      | 35   | 8                  | 300              | 125              | 1.3            | 10             | 150                 | TO-220AB                     |
| SFA805G     | 35   | 8                  | 300              | 125              | 1.3            | 10             | 150                 | TO-220AC                     |
| SFAS806G    | 35   | 8                  | 400              | 125              | 1.3            | 10             | 150                 | D <sup>2</sup> -Pak (TO-263) |
| SFAF806G    | 35   | 8                  | 400              | 125              | 1.3            | 10             | 150                 | ITO-220AC                    |
| SF806G      | 35   | 8                  | 400              | 125              | 1.3            | 10             | 150                 | TO-220AB                     |
| SFA806G     | 35   | 8                  | 400              | 125              | 1.3            | 10             | 150                 | TO-220AC                     |
| SFAS807G    | 35   | 8                  | 500              | 125              | 1.7            | 10             | 150                 | D <sup>2</sup> -Pak (TO-263) |
| SFAF807G    | 35   | 8                  | 500              | 125              | 1.7            | 10             | 150                 | ITO-220AC                    |
| SF807G      | 35   | 8                  | 500              | 125              | 1.7            | 10             | 150                 | TO-220AB                     |
| SFA807G     | 35   | 8                  | 500              | 125              | 1.7            | 10             | 150                 | TO-220AC                     |
| SFAS808G    | 35   | 8                  | 600              | 125              | 1.7            | 10             | 150                 | D <sup>2</sup> -Pak (TO-263) |
| SFAF808G    | 35   | 8                  | 600              | 125              | 1.7            | 10             | 150                 | ITO-220AC                    |
| SF808G      | 35   | 8                  | 600              | 125              | 1.7            | 10             | 150                 | TO-220AB                     |
| SFA808G     | 35   | 8                  | 600              | 125              | 1.7            | 10             | 150                 | TO-220AC                     |
| SFS1001G    | 35   | 10                 | 50               | 125              | 0.975          | 1              | 150                 | D <sup>2</sup> -Pak (TO-263) |
| SFF1001G    | 35   | 10                 | 50               | 125              | 0.975          | 10             | 150                 | ITO-220AB                    |
| SFF1001GA   | 35   | 10                 | 50               | 125              | 0.975          | 10             | 150                 | ITO-220AB                    |
| SF1001G     | 35   | 10                 | 50               | 125              | 0.975          | 10             | 150                 | TO-220AB                     |
| SFA1001G    | 35   | 10                 | 50               | 125              | 0.975          | 10             | 150                 | TO-220AC                     |
| SFAF1001G   | 35   | 10                 | 50               | 150              | 0.975          | 10             | 150                 | ITO-220AC                    |
| SFS1002G    | 35   | 10                 | 100              | 125              | 0.975          | 1              | 150                 | D <sup>2</sup> -Pak (TO-263) |
| SFF1002G    | 35   | 10                 | 100              | 125              | 0.975          | 10             | 150                 | ITO-220AB                    |
| SFF1002GA   | 35   | 10                 | 100              | 125              | 0.975          | 10             | 150                 | ITO-220AB                    |

## DIODES - SUPER FAST (35...40ns)

| Part Number | trr  | I <sub>F(AV)</sub> | V <sub>RRM</sub> | I <sub>FSM</sub> | V <sub>F</sub> | I <sub>R</sub> | T <sub>j</sub> max. | Package Description          |
|-------------|------|--------------------|------------------|------------------|----------------|----------------|---------------------|------------------------------|
|             | (ns) | (A)                | (V)              | (A)              | (V)            | (μA)           | (°C)                |                              |
| SF1002G     | 35   | 10                 | 100              | 125              | 0.975          | 10             | 150                 | TO-220AB                     |
| SFA1002G    | 35   | 10                 | 100              | 125              | 0.975          | 10             | 150                 | TO-220AC                     |
| SFAF1002G   | 35   | 10                 | 100              | 150              | 0.975          | 10             | 150                 | ITO-220AC                    |
| SFS1003G    | 35   | 10                 | 150              | 125              | 0.975          | 1              | 150                 | D <sup>2</sup> -Pak (TO-263) |
| SFF1003G    | 35   | 10                 | 150              | 125              | 0.975          | 10             | 150                 | ITO-220AB                    |
| SFF1003GA   | 35   | 10                 | 150              | 125              | 0.975          | 10             | 150                 | ITO-220AB                    |
| SF1003G     | 35   | 10                 | 150              | 125              | 0.975          | 10             | 150                 | TO-220AB                     |
| SFA1003G    | 35   | 10                 | 150              | 125              | 0.975          | 10             | 150                 | TO-220AC                     |
| SFAF1003G   | 35   | 10                 | 150              | 150              | 0.975          | 10             | 150                 | ITO-220AC                    |
| SFS1004G    | 35   | 10                 | 200              | 125              | 0.975          | 1              | 150                 | D <sup>2</sup> -Pak (TO-263) |
| TPMR10D*    | 35   | 10                 | 200              | 150              | 0.95           | 5              | 175                 | SMPC (TO-277A)               |
| SFF1004G    | 35   | 10                 | 200              | 125              | 0.975          | 10             | 150                 | ITO-220AB                    |
| SFF1004GA   | 35   | 10                 | 200              | 125              | 0.975          | 10             | 150                 | ITO-220AB                    |
| SF1004G     | 35   | 10                 | 200              | 125              | 0.975          | 10             | 150                 | TO-220AB                     |
| SFA1004G    | 35   | 10                 | 200              | 125              | 0.975          | 10             | 150                 | TO-220AC                     |
| SFAF1004G   | 35   | 10                 | 200              | 150              | 0.975          | 10             | 150                 | ITO-220AC                    |
| SFS1005G    | 35   | 10                 | 300              | 125              | 1.3            | 1              | 150                 | D <sup>2</sup> -Pak (TO-263) |
| SFF1005G    | 35   | 10                 | 300              | 125              | 1.3            | 10             | 150                 | ITO-220AB                    |
| SFF1005GA   | 35   | 10                 | 300              | 125              | 1.3            | 10             | 150                 | ITO-220AB                    |
| SF1005G     | 35   | 10                 | 300              | 125              | 1.3            | 10             | 150                 | TO-220AB                     |
| SFA1005G    | 35   | 10                 | 300              | 125              | 1.3            | 10             | 150                 | TO-220AC                     |
| SFAF1005G   | 35   | 10                 | 300              | 150              | 1.3            | 10             | 150                 | ITO-220AC                    |
| SFS1006G    | 35   | 10                 | 400              | 125              | 1.3            | 1              | 150                 | D <sup>2</sup> -Pak (TO-263) |
| TPMR10G*    | 35   | 10                 | 400              | 150              | 1.2            | 10             | 175                 | SMPC (TO-277A)               |
| SFF1006G    | 35   | 10                 | 400              | 125              | 1.3            | 10             | 150                 | ITO-220AB                    |
| SFF1006GA   | 35   | 10                 | 400              | 125              | 1.3            | 10             | 150                 | ITO-220AB                    |
| SF1006G     | 35   | 10                 | 400              | 125              | 1.3            | 10             | 150                 | TO-220AB                     |
| SFA1006G    | 35   | 10                 | 400              | 125              | 1.3            | 10             | 150                 | TO-220AC                     |
| SFAF1006G   | 35   | 10                 | 400              | 150              | 1.3            | 10             | 150                 | ITO-220AC                    |
| SFS1007G    | 35   | 10                 | 500              | 125              | 1.7            | 1              | 150                 | D <sup>2</sup> -Pak (TO-263) |
| SFF1007G    | 35   | 10                 | 500              | 125              | 1.7            | 10             | 150                 | ITO-220AB                    |
| SFF1007GA   | 35   | 10                 | 500              | 125              | 1.7            | 10             | 150                 | ITO-220AB                    |
| SF1007G     | 35   | 10                 | 500              | 125              | 1.7            | 10             | 150                 | TO-220AB                     |
| SFA1007G    | 35   | 10                 | 500              | 125              | 1.7            | 10             | 150                 | TO-220AC                     |
| SFAF1007G   | 35   | 10                 | 500              | 150              | 1.7            | 10             | 150                 | ITO-220AC                    |
| SFS1008G    | 35   | 10                 | 600              | 125              | 1.7            | 1              | 150                 | D <sup>2</sup> -Pak (TO-263) |
| SFAS1008G   | 35   | 10                 | 600              | 125              | 1.7            | 10             | 150                 | D <sup>2</sup> -Pak (TO-263) |
| SFF1008G    | 35   | 10                 | 600              | 125              | 1.7            | 10             | 150                 | ITO-220AB                    |
| SFF1008GA   | 35   | 10                 | 600              | 125              | 1.7            | 10             | 150                 | ITO-220AB                    |
| SF1008G     | 35   | 10                 | 600              | 125              | 1.7            | 10             | 150                 | TO-220AB                     |
| SFA1008G    | 35   | 10                 | 600              | 125              | 1.7            | 10             | 150                 | TO-220AC                     |
| SFAF1008G   | 35   | 10                 | 600              | 150              | 1.7            | 10             | 150                 | ITO-220AC                    |
| SFS1601G    | 35   | 16                 | 50               | 125              | 0.975          | 10             | 150                 | D <sup>2</sup> -Pak (TO-263) |
| SFF1601G    | 35   | 16                 | 50               | 125              | 0.975          | 10             | 150                 | ITO-220AB                    |
| SF1601G     | 35   | 16                 | 50               | 125              | 0.975          | 10             | 150                 | TO-220AB                     |
| SF1601PT    | 35   | 16                 | 50               | 150              | 0.95           | 10             | 150                 | TO-3P                        |
| SFAF1601G   | 35   | 16                 | 50               | 200              | 0.975          | 10             | 150                 | ITO-220AC                    |

Note. \* - Q4/2014

## DIODES - SUPER FAST (35...40ns)

| Part Number | trr  | I <sub>F(AV)</sub> | V <sub>RRM</sub> | I <sub>FSM</sub> | V <sub>F</sub> | I <sub>R</sub> | T <sub>j</sub> max. | Package Description          |
|-------------|------|--------------------|------------------|------------------|----------------|----------------|---------------------|------------------------------|
|             | (ns) | (A)                | (V)              | (A)              | (V)            | (μA)           | (°C)                |                              |
| SFS1602G    | 35   | 16                 | 100              | 125              | 0.975          | 10             | 150                 | D <sup>2</sup> -Pak (TO-263) |
| SFF1602G    | 35   | 16                 | 100              | 125              | 0.975          | 10             | 150                 | ITO-220AB                    |
| SF1602G     | 35   | 16                 | 100              | 125              | 0.975          | 10             | 150                 | TO-220AB                     |
| SF1602PT    | 35   | 16                 | 100              | 150              | 0.95           | 10             | 150                 | TO-3P                        |
| SFAF1602G   | 35   | 16                 | 100              | 200              | 0.975          | 10             | 150                 | ITO-220AC                    |
| SFS1603G    | 35   | 16                 | 150              | 125              | 0.975          | 10             | 150                 | D <sup>2</sup> -Pak (TO-263) |
| SFF1603G    | 35   | 16                 | 150              | 125              | 0.975          | 10             | 150                 | ITO-220AB                    |
| SF1603G     | 35   | 16                 | 150              | 125              | 0.975          | 10             | 150                 | TO-220AB                     |
| SF1603PT    | 35   | 16                 | 150              | 150              | 0.95           | 10             | 150                 | TO-3P                        |
| SFAF1603G   | 35   | 16                 | 150              | 200              | 0.975          | 10             | 150                 | ITO-220AC                    |
| SFS1604G    | 35   | 16                 | 200              | 125              | 0.975          | 10             | 150                 | D <sup>2</sup> -Pak (TO-263) |
| SFF1604G    | 35   | 16                 | 200              | 125              | 0.975          | 10             | 150                 | ITO-220AB                    |
| SF1604G     | 35   | 16                 | 200              | 125              | 0.975          | 10             | 150                 | TO-220AB                     |
| SF1604PT    | 35   | 16                 | 200              | 150              | 0.95           | 10             | 150                 | TO-3P                        |
| SFAF1604G   | 35   | 16                 | 200              | 200              | 0.975          | 10             | 150                 | ITO-220AC                    |
| SFS1605G    | 35   | 16                 | 300              | 125              | 1.3            | 10             | 150                 | D <sup>2</sup> -Pak (TO-263) |
| SFF1605G    | 35   | 16                 | 300              | 125              | 1.3            | 10             | 150                 | ITO-220AB                    |
| SF1605G     | 35   | 16                 | 300              | 125              | 1.3            | 10             | 150                 | TO-220AB                     |
| SF1605PT    | 35   | 16                 | 300              | 150              | 1.3            | 10             | 150                 | TO-3P                        |
| SFAF1605G   | 35   | 16                 | 300              | 200              | 1.3            | 10             | 150                 | ITO-220AC                    |
| SFS1606G    | 35   | 16                 | 400              | 125              | 1.3            | 10             | 150                 | D <sup>2</sup> -Pak (TO-263) |
| SFF1606G    | 35   | 16                 | 400              | 125              | 1.3            | 10             | 150                 | ITO-220AB                    |
| SF1606G     | 35   | 16                 | 400              | 125              | 1.3            | 10             | 150                 | TO-220AB                     |
| SF1606PT    | 35   | 16                 | 400              | 150              | 1.3            | 10             | 150                 | TO-3P                        |
| SFAF1606G   | 35   | 16                 | 400              | 200              | 1.3            | 10             | 150                 | ITO-220AC                    |
| SFS1607G    | 35   | 16                 | 500              | 125              | 1.7            | 10             | 150                 | D <sup>2</sup> -Pak (TO-263) |
| SFF1607G    | 35   | 16                 | 500              | 125              | 1.7            | 10             | 150                 | ITO-220AB                    |
| SF1607G     | 35   | 16                 | 500              | 125              | 1.7            | 10             | 150                 | TO-220AB                     |
| SF1607PT    | 35   | 16                 | 500              | 150              | 1.7            | 10             | 150                 | TO-3P                        |
| SFAF1607G   | 35   | 16                 | 500              | 200              | 1.7            | 10             | 150                 | ITO-220AC                    |
| SFS1608G    | 35   | 16                 | 600              | 125              | 1.7            | 10             | 150                 | D <sup>2</sup> -Pak (TO-263) |
| SFF1608G    | 35   | 16                 | 600              | 125              | 1.7            | 10             | 150                 | ITO-220AB                    |
| SF1608G     | 35   | 16                 | 600              | 125              | 1.7            | 10             | 150                 | TO-220AB                     |
| SF1608PT    | 35   | 16                 | 600              | 150              | 1.7            | 10             | 150                 | TO-3P                        |
| SFAF1608G   | 35   | 16                 | 600              | 200              | 1.7            | 10             | 150                 | ITO-220AC                    |
| SFF2001G    | 35   | 20                 | 50               | 150              | 0.975          | 10             | 150                 | ITO-220AB                    |
| SF2001G     | 35   | 20                 | 50               | 150              | 0.975          | 5              | 150                 | TO-220AB                     |
| SFAF2001G   | 35   | 20                 | 50               | 200              | 0.975          | 10             | 150                 | ITO-220AC                    |
| SF2001PT    | 35   | 20                 | 50               | 280              | 0.95           | 10             | 150                 | TO-3P                        |
| SFF2002G    | 35   | 20                 | 100              | 150              | 0.975          | 10             | 150                 | ITO-220AB                    |
| SF2002G     | 35   | 20                 | 100              | 150              | 0.975          | 5              | 150                 | TO-220AB                     |
| SFAF2002G   | 35   | 20                 | 100              | 200              | 0.975          | 10             | 150                 | ITO-220AC                    |
| SF2002PT    | 35   | 20                 | 100              | 280              | 0.95           | 10             | 150                 | TO-3P                        |
| SFF2003G    | 35   | 20                 | 150              | 150              | 0.975          | 10             | 150                 | ITO-220AB                    |
| SF2003G     | 35   | 20                 | 150              | 150              | 0.975          | 5              | 150                 | TO-220AB                     |
| SFAF2003G   | 35   | 20                 | 150              | 200              | 0.975          | 10             | 150                 | ITO-220AC                    |
| SF2003PT    | 35   | 20                 | 150              | 280              | 0.95           | 10             | 150                 | TO-3P                        |

## DIODES - SUPER FAST (35...40ns)

| Part Number | trr  | I <sub>F(AV)</sub> | V <sub>RRM</sub> | I <sub>FSM</sub> | V <sub>F</sub> | I <sub>R</sub> | T <sub>j</sub> max. | Package Description |
|-------------|------|--------------------|------------------|------------------|----------------|----------------|---------------------|---------------------|
|             | (ns) | (A)                | (V)              | (A)              | (V)            | (μA)           | (°C)                |                     |
| SFF2004G    | 35   | 20                 | 200              | 150              | 0.975          | 10             | 150                 | ITO-220AB           |
| SFF2004GA   | 35   | 20                 | 200              | 150              | 0.975          | 10             | 150                 | ITO-220AB           |
| SF2004G     | 35   | 20                 | 200              | 150              | 0.975          | 5              | 150                 | TO-220AB            |
| SFAF2004G   | 35   | 20                 | 200              | 200              | 0.975          | 10             | 150                 | ITO-220AC           |
| SF2004PT    | 35   | 20                 | 200              | 280              | 0.95           | 10             | 150                 | TO-3P               |
| SFF2005G    | 35   | 20                 | 300              | 150              | 1.3            | 10             | 150                 | ITO-220AB           |
| SFF2005GA   | 35   | 20                 | 300              | 150              | 1.3            | 10             | 150                 | ITO-220AB           |
| SF2005G     | 35   | 20                 | 300              | 150              | 1.3            | 5              | 150                 | TO-220AB            |
| SFAF2005G   | 35   | 20                 | 300              | 200              | 1.3            | 10             | 150                 | ITO-220AC           |
| SF2005PT    | 35   | 20                 | 300              | 280              | 1.3            | 10             | 150                 | TO-3P               |
| SFF2006G    | 35   | 20                 | 400              | 150              | 1.3            | 10             | 150                 | ITO-220AB           |
| SFF2006GA   | 35   | 20                 | 400              | 150              | 1.3            | 10             | 150                 | ITO-220AB           |
| SF2006G     | 35   | 20                 | 400              | 150              | 1.3            | 5              | 150                 | TO-220AB            |
| SFAF2006G   | 35   | 20                 | 400              | 200              | 1.3            | 10             | 150                 | ITO-220AC           |
| SF2006PT    | 35   | 20                 | 400              | 280              | 1.3            | 10             | 150                 | TO-3P               |
| SFF2007G    | 35   | 20                 | 500              | 150              | 1.7            | 10             | 150                 | ITO-220AB           |
| SF2007G     | 35   | 20                 | 500              | 150              | 1.7            | 5              | 150                 | TO-220AB            |
| SFAF2007G   | 35   | 20                 | 500              | 200              | 1.7            | 10             | 150                 | ITO-220AC           |
| SF2007PT    | 35   | 20                 | 500              | 280              | 1.7            | 10             | 150                 | TO-3P               |
| SFF2008G    | 35   | 20                 | 600              | 150              | 1.7            | 10             | 150                 | ITO-220AB           |
| SFF2008GA   | 35   | 20                 | 600              | 150              | 1.7            | 10             | 150                 | ITO-220AB           |
| SF2008G     | 35   | 20                 | 600              | 150              | 1.7            | 5              | 150                 | TO-220AB            |
| SFAF2008G   | 35   | 20                 | 600              | 200              | 1.7            | 10             | 150                 | ITO-220AC           |
| SF2008PT    | 35   | 20                 | 600              | 280              | 1.7            | 10             | 150                 | TO-3P               |
| SF3001PT    | 35   | 30                 | 50               | 300              | 0.95           | 10             | 150                 | TO-3P               |
| SF3002PT    | 35   | 30                 | 100              | 300              | 0.95           | 10             | 150                 | TO-3P               |
| SF3003PT    | 35   | 30                 | 150              | 300              | 0.95           | 10             | 150                 | TO-3P               |
| SF3004PT    | 35   | 30                 | 200              | 300              | 0.95           | 10             | 150                 | TO-3P               |
| SF3005PT    | 35   | 30                 | 300              | 300              | 1.3            | 10             | 150                 | TO-3P               |
| SF3006PT    | 35   | 30                 | 400              | 300              | 1.3            | 10             | 150                 | TO-3P               |
| UG6005PT    | 35   | 60                 | 300              | 300              | 1.25           | 5              | 175                 | TO-3P               |
| ES0406D1    | 40   | 0.4                | 600              | 16               | 1.32           | 10             | 150                 | SOD-123             |
| UG2JA       | 40   | 2                  | 600              | 40               | 1.3            | 2              | 150                 | SMA (DO-214AC)      |
| UGA8120     | 35   | 8                  | 1200             | 80               | 2.8            | 5              | 175                 | TO-220AC            |



## DIODES - ULTRA FAST (15...30ns)

## DIODES - ULTRA FAST (15...30ns)

(T<sub>A</sub>=25°C unless otherwise noted)

| Part Number | trr  | I <sub>F(AV)</sub> | V <sub>RRM</sub> | I <sub>FSM</sub> | V <sub>F</sub> | I <sub>R</sub> | T <sub>J</sub> max. | Package Description          |
|-------------|------|--------------------|------------------|------------------|----------------|----------------|---------------------|------------------------------|
|             | (ns) | (A)                | (V)              | (A)              | (V)            | (μA)           | (°C)                |                              |
| UG06A       | 15   | 0.6                | 50               | 40               | 0.95           | 5              | 150                 | TS-1                         |
| UG06B       | 15   | 0.6                | 100              | 40               | 0.95           | 5              | 150                 | TS-1                         |
| UG06C       | 15   | 0.6                | 150              | 40               | 0.95           | 5              | 150                 | TS-1                         |
| UG06D       | 15   | 0.6                | 200              | 40               | 0.95           | 5              | 150                 | TS-1                         |
| ESH1B       | 15   | 1                  | 100              | 30               | 0.95           | 1              | 175                 | SMA (DO-214AC)               |
| ESH1C       | 15   | 1                  | 150              | 30               | 0.95           | 1              | 175                 | SMA (DO-214AC)               |
| ESH1D       | 15   | 1                  | 200              | 30               | 0.95           | 1              | 175                 | SMA (DO-214AC)               |
| UG2D        | 15   | 2                  | 200              | 80               | 0.95           | 5              | 150                 | DO-15                        |
| UGS5J       | 20   | 5                  | 600              | 65               | 2              | 20             | 150                 | D <sup>2</sup> -PAK (TO-263) |
| UG58G       | 20   | 5                  | 600              | 65               | 2.1            | 20             | 150                 | DO-201AD                     |
| UG5J        | 20   | 5                  | 600              | 65               | 3              | 30             | 150                 | TO-220AC                     |
| UGF1004G    | 20   | 10                 | 200              | 70               | 0.95           | 10             | 175                 | ITO-220AB                    |
| UGF1004GA   | 20   | 10                 | 200              | 70               | 0.95           | 10             | 175                 | ITO-220AB                    |
| UGF1005G    | 20   | 10                 | 300              | 70               | 1.25           | 10             | 175                 | ITO-220AB                    |
| UGF1005GA   | 20   | 10                 | 300              | 70               | 1.25           | 10             | 175                 | ITO-220AB                    |
| UGF1006G    | 20   | 10                 | 400              | 70               | 1.25           | 10             | 175                 | ITO-220AB                    |
| UGF1006GA   | 20   | 10                 | 400              | 70               | 1.25           | 10             | 175                 | ITO-220AB                    |
| UGF12J      | 20   | 12                 | 600              | 135              | 2              | 5              | 150                 | ITO-220AC                    |
| UG12J       | 20   | 12                 | 600              | 135              | 2              | 5              | 150                 | TO-220AC                     |
| UGF2004G    | 20   | 20                 | 200              | 150              | 0.95           | 5              | 175                 | ITO-220AB                    |
| UGF2005G    | 20   | 20                 | 300              | 150              | 1.25           | 5              | 175                 | ITO-220AB                    |
| UGF2006G    | 20   | 20                 | 400              | 150              | 1.25           | 5              | 175                 | ITO-220AB                    |
| MUR105S     | 25   | 1                  | 50               | 40               | 0.875          | 2              | 175                 | SMB (DO-214AA)               |
| ESH2BA      | 25   | 1                  | 100              | 50               | 0.9            | 1              | 175                 | SMA (DO-214AC)               |
| MUR110S     | 25   | 1                  | 100              | 40               | 0.875          | 2              | 175                 | SMB (DO-214AA)               |
| ESH2CA      | 25   | 1                  | 150              | 50               | 0.9            | 1              | 175                 | SMA (DO-214AC)               |
| MUR115S     | 25   | 1                  | 150              | 40               | 0.875          | 2              | 175                 | SMB (DO-214AA)               |
| ESH1DM      | 25   | 1                  | 200              | 15               | 1.25           | 1              | 150                 | Micro SMA                    |
| ESH2DA      | 25   | 1                  | 200              | 50               | 0.9            | 1              | 175                 | SMA (DO-214AC)               |
| MUR120S     | 25   | 1                  | 200              | 40               | 0.875          | 2              | 175                 | SMB (DO-214AA)               |
| ESH1GM      | 25   | 1                  | 400              | 15               | 1.25           | 1              | 150                 | Micro SMA                    |
| ESH1JM      | 25   | 1                  | 600              | 15               | 1.25           | 1              | 150                 | Micro SMA                    |
| ESH2B       | 25   | 2                  | 100              | 60               | 0.93           | 2              | 175                 | SMB (DO-214AA)               |
| ESH2C       | 25   | 2                  | 150              | 60               | 0.93           | 2              | 175                 | SMB (DO-214AA)               |
| ESH2D       | 25   | 2                  | 200              | 60               | 0.93           | 2              | 175                 | SMB (DO-214AA)               |
| MUR305S     | 25   | 3                  | 50               | 75               | 0.875          | 5              | 175                 | SMC (DO-214AB)               |
| ESH3B       | 25   | 3                  | 100              | 125              | 0.9            | 5              | 175                 | SMC (DO-214AB)               |
| MUR310S     | 25   | 3                  | 100              | 75               | 0.875          | 5              | 175                 | SMC (DO-214AB)               |
| ESH3C       | 25   | 3                  | 150              | 125              | 0.9            | 5              | 175                 | SMC (DO-214AB)               |
| MUR315S     | 25   | 3                  | 150              | 75               | 0.875          | 5              | 175                 | SMC (DO-214AB)               |
| ESH3D       | 25   | 3                  | 200              | 125              | 0.9            | 5              | 175                 | SMC (DO-214AB)               |
| MUR320S     | 25   | 3                  | 200              | 75               | 0.875          | 5              | 175                 | SMC (DO-214AB)               |
| MUR420      | 25   | 4                  | 200              | 125              | 0.89           | 5              | 150                 | DO-201AD                     |
| MUR420S     | 25   | 4                  | 200              | 75               | 0.875          | 5              | 175                 | SMC (DO-214AB)               |
| UGF5J       | 25   | 5                  | 600              | 65               | 2.1            | 30             | 150                 | ITO-220AC                    |
| TPUH6G*     | 25   | 6                  | 400              | 80               | 1.05           | 1              | 175                 | SMPC (TO-277A)               |

Note. \* - Q4/2014

| Part Number | trr  | I <sub>F(AV)</sub> | V <sub>RRM</sub> | I <sub>FSM</sub> | V <sub>F</sub> | I <sub>R</sub> | T <sub>J</sub> max. | Package Description |
|-------------|------|--------------------|------------------|------------------|----------------|----------------|---------------------|---------------------|
|             | (ns) | (A)                | (V)              | (A)              | (V)            | (μA)           | (°C)                |                     |
| TPUH6J      | 25   | 6                  | 600              | 80               | 3              | 1              | 175                 | SMPC (TO-277A)      |
| MUR820      | 25   | 8                  | 200              | 100              | 0.975          | 5              | 175                 | TO-220AC            |
| UGF8J       | 25   | 8                  | 600              | 65               | 2.9            | 30             | 150                 | ITO-220AC           |
| UG8J        | 25   | 8                  | 600              | 65               | 2.9            | 30             | 150                 | TO-220AC            |
| UGF10G      | 25   | 10                 | 400              | 90               | 1.25           | 10             | 175                 | ITO-220AC           |
| UG10G       | 25   | 10                 | 400              | 90               | 1.25           | 10             | 175                 | TO-220AC            |
| UGF1007G    | 25   | 10                 | 500              | 70               | 1.7            | 10             | 150                 | ITO-220AB           |
| UGF1007GA   | 25   | 10                 | 500              | 70               | 1.7            | 10             | 150                 | ITO-220AB           |
| UGF1008G    | 25   | 10                 | 600              | 70               | 1.7            | 10             | 150                 | ITO-220AB           |
| UGF1008GA   | 25   | 10                 | 600              | 70               | 1.7            | 10             | 150                 | ITO-220AB           |
| UGF10J      | 25   | 10                 | 600              | 90               | 2              | 30             | 150                 | ITO-220AC           |
| UG10J       | 25   | 10                 | 600              | 90               | 2              | 30             | 150                 | TO-220AC            |
| MURF1620CT  | 25   | 16                 | 200              | 100              | 0.975          | 5              | 150                 | ITO-220AB           |
| MUR1620CT   | 25   | 16                 | 200              | 100              | 0.975          | 5              | 175                 | TO-220AB            |
| UGF1606G    | 25   | 16                 | 400              | 90               | 1.25           | 10             | 175                 | ITO-220AB           |
| UG2004PT    | 25   | 20                 | 200              | 200              | 0.93           | 200            | 175                 | TO-3P               |
| UGF2007G    | 25   | 20                 | 500              | 150              | 1.7            | 5              | 150                 | ITO-220AB           |
| UGF2008G    | 25   | 20                 | 600              | 150              | 1.7            | 5              | 150                 | ITO-220AB           |
| UGF8JD      | 13   | 8                  | 600              | 100              | 2.3            | 5              | 150                 | ITO-220AC           |

## DIODES - SCHOTTKY

## DIODES - SCHOTTKY

(T<sub>A</sub>=25°C unless otherwise noted)

| Part Number | I <sub>F(AV)</sub> | V <sub>RRM</sub> | I <sub>FSM</sub> | V <sub>F</sub> | I <sub>R</sub> | T <sub>J max.</sub> | Package Description |
|-------------|--------------------|------------------|------------------|----------------|----------------|---------------------|---------------------|
|             | (A)                | (V)              | (A)              | (V)            | (μA)           | (°C)                |                     |
| SD101CW     | 0.02               | 40               | 2                | 0.39           | 0.2            | 125                 | SOD-123             |
| SD101BW     | 0.02               | 50               | 2                | 0.40           | 0.2            | 125                 | SOD-123             |
| SD101AW     | 0.02               | 60               | 2                | 0.41           | 0.2            | 125                 | SOD-123             |
| RB751V-40   | 0.03               | 40               | 0.2              | 0.37           | 0.5            | 125                 | SOD-323             |
| RB751V-40WS | 0.03               | 40               | 0.2              | 0.37           | 0.5            | 125                 | SOD-323F            |
| RB706F-40   | 0.03               | 45               | 0.2              | 0.37           | 1              | 125                 | SOT-323             |
| TSS0340L    | 0.03               | 45               | 0.5              | 0.37           | 0.5            | 125                 | 1005                |
| TSS0340U    | 0.03               | 45               | 0.5              | 0.37           | 5              | 125                 | 0603                |
| BAS70       | 0.07               | 70               | 0.1              | 0.41           | 0.1            | 150                 | SOT-23              |
| BAS70-04    | 0.07               | 70               | 0.1              | 0.41           | 0.1            | 150                 | SOT-23              |
| BAS70-05    | 0.07               | 70               | 0.1              | 0.41           | 0.1            | 150                 | SOT-23              |
| BAS70-06    | 0.07               | 70               | 0.1              | 0.41           | 0.1            | 150                 | SOT-23              |
| TSS70L      | 0.07               | 70               | 0.1              | 0.41           | 0.1            | 125                 | 1005                |
| TSS70U      | 0.07               | 70               | 0.1              | 0.41           | 0.1            | 125                 | 0603                |
| RB520G-30   | 0.1                | 30               | 0.5              | 0.45           | 0.5            | 125                 | SOD-723F            |
| RB500V-40   | 0.1                | 45               | 1                | 0.45           | 1              | 125                 | SOD-323F            |
| BAS85       | 0.2                | 30               | 4                | 0.24           | 2              | 125                 | MMELF               |
| BAT42       | 0.2                | 30               | 4                | 0.40           | 500            | 125                 | DO-35               |
| BAT42W      | 0.2                | 30               | 4                | 0.40           | 0.5            | 125                 | SOD-123             |
| BAT42WS     | 0.2                | 30               | 4                | 0.40           | 0.5            | 125                 | SOD-323F            |
| BAT43       | 0.2                | 30               | 4                | 0.33           | 500            | 125                 | DO-35               |
| BAT43W      | 0.2                | 30               | 4                | 0.33           | 0.5            | 125                 | SOD-123             |
| BAT43WS     | 0.2                | 30               | 4                | 0.33           | 0.5            | 125                 | SOD-323F            |
| BAT54       | 0.2                | 30               | 0.6              | 0.24           | 2              | 150                 | SOT-23              |
| BAT54A      | 0.2                | 30               | 0.6              | 0.24           | 2              | 150                 | SOT-23              |
| BAT54AD     | 0.2                | 30               | 0.6              | 0.24           | 2              | 150                 | SOT-363             |
| BAT54AD-G   | 0.2                | 30               | 0.6              | 0.24           | 2              | 150                 | SOT-363             |
| BAT54AW     | 0.2                | 30               | 0.6              | 0.24           | 2              | 150                 | SOT-323             |
| BAT54BR     | 0.2                | 30               | 0.6              | 0.24           | 2              | 150                 | SOT-363             |
| BAT54BR-G   | 0.2                | 30               | 0.6              | 0.24           | 2              | 150                 | SOT-363             |
| BAT54C      | 0.2                | 30               | 0.6              | 0.24           | 2              | 150                 | SOT-23              |
| BAT54CD     | 0.2                | 30               | 0.6              | 0.24           | 2              | 150                 | SOT-363             |
| BAT54CD-G   | 0.2                | 30               | 0.6              | 0.24           | 2              | 150                 | SOT-363             |
| BAT54CW     | 0.2                | 30               | 0.6              | 0.24           | 2              | 150                 | SOT-323             |
| BAT54S      | 0.2                | 30               | 0.6              | 0.24           | 2              | 150                 | SOT-23              |
| BAT54SD     | 0.2                | 30               | 0.6              | 0.24           | 2              | 150                 | SOT-363             |
| BAT54SD-G   | 0.2                | 30               | 0.6              | 0.24           | 2              | 150                 | SOT-363             |
| BAT54SW     | 0.2                | 30               | 0.6              | 0.24           | 2              | 150                 | SOT-323             |
| BAT54T      | 0.2                | 30               | 0.6              | 0.24           | 2              | 150                 | SOT-363             |
| BAT54T-G    | 0.2                | 30               | 0.6              | 0.24           | 2              | 150                 | SOT-363             |
| BAT54W      | 0.2                | 30               | 0.6              | 0.24           | 2              | 150                 | SOT-323             |
| RB520S-30   | 0.2                | 30               | 1                | 0.60           | 1              | 125                 | SOD-523F            |
| RB521S-30   | 0.2                | 30               | 1                | 0.50           | 30             | 125                 | SOD-523F            |
| TSS42L      | 0.2                | 30               | 4                | 0.40           | 0.5            | 125                 | 1005                |
| TSS42U      | 0.2                | 30               | 4                | 0.40           | 0.5            | 125                 | 0603                |
| TSS43L      | 0.2                | 30               | 4                | 0.33           | 0.5            | 125                 | 1005                |

| Part Number | I <sub>F(AV)</sub> | V <sub>RRM</sub> | I <sub>FSM</sub> | V <sub>F</sub> | I <sub>R</sub> | T <sub>J max.</sub> | Package Description |
|-------------|--------------------|------------------|------------------|----------------|----------------|---------------------|---------------------|
|             | (A)                | (V)              | (A)              | (V)            | (μA)           | (°C)                |                     |
| TSS43U      | 0.2                | 30               | 4                | 0.33           | 0.5            | 125                 | 0603                |
| TSS54L      | 0.2                | 30               | 0.6              | 0.24           | 2              | 125                 | 1005                |
| TSS54U      | 0.2                | 30               | 0.6              | 0.24           | 2              | 125                 | 0603                |
| BAT43X      | 0.20               | 30               | 4                | 0.26           | 0.5            | 125                 | SOD-523F            |
| TSS0230LU   | 0.2                | 35               | 1                | 0.50           | 30             | 125                 | 0603-B              |
| TSS0230U    | 0.2                | 35               | 1                | 0.60           | 5              | 125                 | 0603                |
| BAS40       | 0.2                | 40               | 0.2              | 0.38           | 0.2            | 125                 | SOT-23              |
| BAS40-04    | 0.2                | 40               | 0.2              | 0.38           | 0.2            | 125                 | SOT-23              |
| BAS40-05    | 0.2                | 40               | 0.2              | 0.38           | 0.2            | 125                 | SOT-23              |
| BAS40-06    | 0.2                | 40               | 0.2              | 0.38           | 0.2            | 125                 | SOT-23              |
| TSS40L      | 0.2                | 40               | 0.6              | 0.38           | 0.2            | 125                 | 1005                |
| TSS40U      | 0.2                | 40               | 0.6              | 0.38           | 0.2            | 125                 | 0603                |
| SD103CW     | 0.35               | 20               | 1.5              | 0.37           | 5              | 125                 | SOD-123             |
| SD103BW     | 0.35               | 30               | 1.5              | 0.37           | 5              | 125                 | SOD-123             |
| RB495D      | 0.35               | 40               | 1.5              | 0.32           | 70             | 125                 | SOT-23              |
| SD103AW     | 0.35               | 40               | 1.5              | 0.37           | 5              | 125                 | SOD-123             |
| B0520LW     | 0.5                | 20               | 5.5              | 0.30           | 75             | 125                 | SOD-123             |
| B0520LWF    | 0.5                | 20               | 5.5              | 0.30           | 75             | 125                 | SOD-123F            |
| SR002       | 0.5                | 20               | 30               | 0.55           | 500            | 150                 | DO-41               |
| B0530W      | 0.5                | 30               | 5.5              | 0.30           | 20             | 125                 | SOD-123             |
| B0530WF     | 0.5                | 30               | 5.5              | 0.38           | 20             | 125                 | SOD-123F            |
| B0530WS     | 0.5                | 30               | 5                | 0.36           | 80             | 125                 | SOD-323F            |
| SR003       | 0.5                | 30               | 30               | 0.55           | 500            | 150                 | DO-41               |
| B0540W      | 0.5                | 40               | 5.5              | 0.51           | 10             | 125                 | SOD-123             |
| B0540WF     | 0.5                | 40               | 5.5              | 0.51           | 10             | 150                 | SOD-123F            |
| RB551V-40   | 0.5                | 40               | 2                | 0.47           | 100            | 150                 | SOD-323             |
| SR004       | 0.5                | 40               | 30               | 0.55           | 500            | 150                 | DO-41               |
| SR005       | 0.5                | 50               | 30               | 0.70           | 500            | 150                 | DO-41               |
| SR006       | 0.5                | 60               | 30               | 0.70           | 500            | 150                 | DO-41               |
| SR009       | 0.5                | 90               | 30               | 0.85           | 100            | 150                 | DO-41               |
| SR010       | 0.5                | 100              | 30               | 0.85           | 100            | 150                 | DO-41               |
| SR015       | 0.5                | 150              | 30               | 0.95           | 100            | 150                 | DO-41               |
| 1N5817      | 1                  | 20               | 30               | 0.45           | 1,000          | 150                 | DO-41               |
| LL5817      | 1                  | 20               | 25               | 0.45           | 500            | 150                 | MELF                |
| LSR102      | 1                  | 20               | 25               | 0.55           | 1,000          | 125                 | MELF                |
| SK12B       | 1                  | 20               | 30               | 0.50           | 500            | 125                 | SMB (DO-214AA)      |
| SR102       | 1                  | 20               | 30               | 0.55           | 500            | 125                 | DO-41               |
| SRT12       | 1                  | 20               | 25               | 0.55           | 500            | 125                 | TS-1                |
| B5817W      | 1                  | 20               | 9                | 0.45           | 1,000          | 125                 | SOD-123             |
| B5817WS     | 1                  | 20               | 9                | 0.45           | 1,000          | 125                 | SOD-123             |
| SS12        | 1                  | 20               | 40               | 0.50           | 200            | 150                 | SMA (DO-214AC)      |
| SS12L       | 1                  | 20               | 30               | 0.45           | 400            | 125                 | Sub SMA             |
| SS12LS      | 1                  | 20               | 30               | 0.45           | 400            | 125                 | SOD123HE            |
| SSL12       | 1                  | 20               | 50               | 0.39           | 200            | 125                 | SMA (DO-214AC)      |
| 1N5818      | 1                  | 30               | 30               | 0.55           | 1,000          | 150                 | DO-41               |
| LL5818      | 1                  | 30               | 25               | 0.55           | 500            | 150                 | MELF                |

## DIODES - SCHOTTKY

| Part Number | $I_{F(AV)}$ | $V_{RRM}$ | $I_{FSM}$ | $V_F$ | $I_R$      | $T_J \text{ max.}$ | Package Description |
|-------------|-------------|-----------|-----------|-------|------------|--------------------|---------------------|
|             | (A)         | (V)       | (A)       | (V)   | ( $\mu$ A) | ( $^{\circ}$ C)    |                     |
| LSR103      | 1           | 30        | 25        | 0.55  | 1,000      | 125                | MELF                |
| SK13B       | 1           | 30        | 30        | 0.50  | 500        | 125                | SMB (DO-214AA)      |
| SKL13B      | 1           | 30        | 50        | 0.39  | 200        | 150                | SMB (DO-214AA)      |
| SR103       | 1           | 30        | 30        | 0.55  | 500        | 125                | DO-41               |
| SRT13       | 1           | 30        | 25        | 0.55  | 500        | 125                | TS-1                |
| B5818W      | 1           | 30        | 9         | 0.55  | 1,000      | 125                | SOD-123             |
| B5818WS     | 1           | 30        | 9         | 0.55  | 1,000      | 125                | SOD-323             |
| SS13        | 1           | 30        | 40        | 0.50  | 200        | 150                | SMA (DO-214AC)      |
| SS13L       | 1           | 30        | 30        | 0.50  | 400        | 125                | Sub SMA             |
| SS13LS      | 1           | 30        | 30        | 0.50  | 400        | 125                | SOD123HE            |
| SS13M       | 1           | 30        | 25        | 0.55  | 50         | 150                | Micro SMA           |
| SSL13       | 1           | 30        | 50        | 0.39  | 200        | 125                | SMA (DO-214AC)      |
| 1N5819      | 1           | 40        | 30        | 0.60  | 1,000      | 150                | DO-41               |
| LL5819      | 1           | 40        | 25        | 0.60  | 500        | 150                | MELF                |
| LSR104      | 1           | 40        | 25        | 0.55  | 1,000      | 125                | MELF                |
| SK14B       | 1           | 40        | 30        | 0.50  | 500        | 125                | SMB (DO-214AA)      |
| SR104       | 1           | 40        | 30        | 0.55  | 500        | 125                | DO-41               |
| SRT14       | 1           | 40        | 25        | 0.55  | 500        | 125                | TS-1                |
| B8519W      | 1           | 40        | 9         | 0.60  | 1,000      | 125                | SOD-123             |
| B5819WS     | 1           | 40        | 9         | 0.60  | 1,000      | 125                | SOD-323             |
| SS14        | 1           | 40        | 40        | 0.50  | 200        | 125                | SMA (DO-214AC)      |
| SS14L       | 1           | 40        | 30        | 0.55  | 400        | 125                | Sub SMA             |
| SS14LS      | 1           | 40        | 30        | 0.55  | 400        | 150                | SOD123HE            |
| SS14M       | 1           | 40        | 25        | 0.55  | 50         | 150                | Micro SMA           |
| SSL14       | 1           | 40        | 50        | 0.39  | 200        | 125                | SMA (DO-214AC)      |
| LSR105      | 1           | 50        | 25        | 0.70  | 1,000      | 150                | MELF                |
| SK15B       | 1           | 50        | 30        | 0.75  | 500        | 150                | SMB (DO-214AA)      |
| SR105       | 1           | 50        | 30        | 0.70  | 500        | 150                | DO-41               |
| SRT15       | 1           | 50        | 25        | 0.70  | 500        | 150                | TS-1                |
| SS15        | 1           | 50        | 40        | 0.75  | 200        | 150                | SMA (DO-214AC)      |
| SS15L       | 1           | 50        | 30        | 0.70  | 400        | 150                | Sub SMA             |
| LSR106      | 1           | 60        | 25        | 0.70  | 1,000      | 150                | MELF                |
| SK16B       | 1           | 60        | 30        | 0.75  | 500        | 150                | SMB (DO-214AA)      |
| SR106       | 1           | 60        | 30        | 0.70  | 500        | 150                | DO-41               |
| SRT16       | 1           | 60        | 25        | 0.70  | 500        | 150                | TS-1                |
| SS16        | 1           | 60        | 40        | 0.75  | 200        | 150                | SMA (DO-214AC)      |
| SS16L       | 1           | 60        | 30        | 0.70  | 400        | 150                | Sub SMA             |
| SS16LS      | 1           | 60        | 30        | 0.70  | 400        | 150                | SOD123HE            |
| SS16M       | 1           | 60        | 25        | 0.68  | 50         | 150                | Micro SMA           |
| SK19B       | 1           | 90        | 30        | 0.85  | 100        | 150                | SMB (DO-214AA)      |
| SR109       | 1           | 90        | 30        | 0.80  | 100        | 150                | DO-41               |
| SRT19       | 1           | 90        | 25        | 0.80  | 100        | 150                | TS-1                |
| SS19        | 1           | 90        | 40        | 0.80  | 100        | 150                | SMA (DO-214AC)      |
| SS19L       | 1           | 90        | 30        | 0.80  | 50         | 150                | Sub SMA             |
| SK110B      | 1           | 100       | 30        | 0.85  | 100        | 150                | SMB (DO-214AA)      |
| SR110       | 1           | 100       | 30        | 0.80  | 100        | 150                | DO-41               |
| SRT110      | 1           | 100       | 25        | 0.80  | 100        | 150                | TS-1                |

## DIODES - SCHOTTKY

| Part Number | $I_{F(AV)}$ | $V_{RRM}$ | $I_{FSM}$ | $V_F$ | $I_R$      | $T_J \text{ max.}$ | Package Description |
|-------------|-------------|-----------|-----------|-------|------------|--------------------|---------------------|
|             | (A)         | (V)       | (A)       | (V)   | ( $\mu$ A) | ( $^{\circ}$ C)    |                     |
| SS110       | 1           | 100       | 40        | 0.80  | 100        | 150                | SMA (DO-214AC)      |
| SS110L      | 1           | 100       | 30        | 0.80  | 50         | 150                | Sub SMA             |
| SS110LS     | 1           | 100       | 30        | 0.80  | 50         | 150                | Sub SMA             |
| SK115B      | 1           | 150       | 30        | 0.95  | 100        | 150                | SMB (DO-214AA)      |
| SR115       | 1           | 150       | 30        | 0.95  | 100        | 150                | DO-41               |
| SRT115      | 1           | 150       | 25        | 0.90  | 100        | 150                | TS-1                |
| SS115       | 1           | 150       | 40        | 0.95  | 100        | 150                | SMA (DO-214AC)      |
| SS115L      | 1           | 150       | 30        | 0.90  | 50         | 150                | Sub SMA             |
| SS115LS     | 1           | 150       | 30        | 0.90  | 50         | 150                | Sub SMA             |
| SK22A       | 2           | 20        | 50        | 0.50  | 500        | 125                | SMA (DO-214AC)      |
| SR202       | 2           | 20        | 50        | 0.55  | 500        | 125                | DO-15               |
| SS22        | 2           | 20        | 50        | 0.50  | 400        | 125                | SMB (DO-214AA)      |
| SS22L       | 2           | 20        | 50        | 0.50  | 400        | 125                | Sub SMA             |
| SS22M       | 2           | 20        | 25        | 0.60  | 150        | 150                | Micro SMA           |
| SSL22       | 2           | 20        | 80        | 0.41  | 400        | 150                | SMB (DO-214AA)      |
| SK23A       | 2           | 30        | 50        | 0.50  | 500        | 125                | SMA (DO-214AC)      |
| SR203       | 2           | 30        | 50        | 0.55  | 500        | 125                | DO-15               |
| SS23        | 2           | 30        | 50        | 0.50  | 400        | 125                | SMB (DO-214AA)      |
| SS23L       | 2           | 30        | 50        | 0.50  | 400        | 125                | Sub SMA             |
| SS23M       | 2           | 30        | 25        | 0.60  | 150        | 150                | Micro SMA           |
| SSL23       | 2           | 30        | 80        | 0.41  | 400        | 150                | SMB (DO-214AA)      |
| SK24A       | 2           | 40        | 50        | 0.50  | 500        | 125                | SMA (DO-214AC)      |
| SR204       | 2           | 40        | 50        | 0.55  | 500        | 125                | DO-15               |
| SS24        | 2           | 40        | 50        | 0.50  | 400        | 125                | SMB (DO-214AA)      |
| SS24L       | 2           | 40        | 50        | 0.50  | 400        | 125                | Sub SMA             |
| SS24M       | 2           | 40        | 25        | 0.60  | 150        | 150                | Micro SMA           |
| SSL24       | 2           | 40        | 80        | 0.41  | 400        | 150                | SMB (DO-214AA)      |
| SK25A       | 2           | 50        | 50        | 0.70  | 500        | 150                | SMA (DO-214AC)      |
| SR205       | 2           | 50        | 50        | 0.70  | 500        | 150                | DO-15               |
| SS25        | 2           | 50        | 50        | 0.70  | 400        | 150                | SMB (DO-214AA)      |
| SS25L       | 2           | 50        | 50        | 0.70  | 400        | 150                | Sub SMA             |
| SK26A       | 2           | 60        | 50        | 0.70  | 500        | 150                | SMA (DO-214AC)      |
| SR206       | 2           | 60        | 50        | 0.70  | 500        | 150                | DO-15               |
| SS26        | 2           | 60        | 50        | 0.70  | 400        | 150                | SMB (DO-214AA)      |
| SS26L       | 2           | 60        | 50        | 0.70  | 400        | 150                | Sub SMA             |
| SK29A       | 2           | 90        | 50        | 0.85  | 100        | 150                | SMA (DO-214AC)      |
| SR209       | 2           | 90        | 50        | 0.85  | 100        | 150                | DO-15               |
| SS29        | 2           | 90        | 50        | 0.85  | 100        | 150                | SMB (DO-214AA)      |
| SS29L       | 2           | 90        | 50        | 0.85  | 100        | 150                | Sub SMA             |
| SK210A      | 2           | 100       | 50        | 0.85  | 100        | 150                | SMA (DO-214AC)      |
| SR210       | 2           | 100       | 50        | 0.85  | 100        | 150                | DO-15               |
| SS210       | 2           | 100       | 50        | 0.85  | 100        | 150                | SMB (DO-214AA)      |
| SS210L      | 2           | 100       | 50        | 0.85  | 100        | 150                | Sub SMA             |
| SSH210      | 2           | 100       | 75        | 0.79  | 1          | 175                | SMB (DO-214AA)      |
| SK215A      | 2           | 150       | 50        | 0.95  | 100        | 150                | SMA (DO-214AC)      |
| SR215       | 2           | 150       | 50        | 0.95  | 100        | 150                | DO-15               |
| SS215       | 2           | 150       | 50        | 0.95  | 100        | 150                | SMB (DO-214AA)      |

## DIODES - SCHOTTKY

| Part Number | $I_{F(AV)}$ | $V_{RRM}$ | $I_{FSM}$ | $V_F$ | $I_R$      | $T_J \text{ max.}$ | Package Description |
|-------------|-------------|-----------|-----------|-------|------------|--------------------|---------------------|
|             | (A)         | (V)       | (A)       | (V)   | ( $\mu$ A) | ( $^{\circ}$ C)    |                     |
| SS215L      | 2           | 150       | 50        | 0.85  | 100        | 150                | Sub SMA             |
| SR220       | 2           | 200       | 50        | 0.95  | 100        | 150                | DO-15               |
| 1N5820      | 3           | 20        | 80        | 0.48  | 500        | 150                | DO-201AD            |
| SK32A       | 3           | 20        | 70        | 0.55  | 500        | 150                | SMA (DO-214AC)      |
| SK32B       | 3           | 20        | 70        | 0.50  | 500        | 125                | SMB (DO-214AA)      |
| SR302       | 3           | 20        | 80        | 0.55  | 500        | 150                | DO-201AD            |
| SS32        | 3           | 20        | 100       | 0.50  | 500        | 150                | SMC (DO-214AB)      |
| SSL32       | 3           | 20        | 100       | 0.41  | 200        | 150                | SMC (DO-214AB)      |
| 1N5821      | 3           | 30        | 80        | 0.50  | 500        | 150                | DO-201AD            |
| SK33A       | 3           | 30        | 70        | 0.55  | 500        | 150                | SMA (DO-214AC)      |
| SK33B       | 3           | 30        | 70        | 0.50  | 500        | 125                | SMB (DO-214AA)      |
| SR303       | 3           | 30        | 80        | 0.55  | 500        | 150                | DO-201AD            |
| SS33        | 3           | 30        | 100       | 0.50  | 500        | 150                | SMC (DO-214AB)      |
| SSL33       | 3           | 30        | 100       | 0.41  | 200        | 150                | SMC (DO-214AB)      |
| 1N5822      | 3           | 40        | 80        | 0.53  | 500        | 150                | DO-201AD            |
| SK34A       | 3           | 40        | 70        | 0.55  | 500        | 150                | SMA (DO-214AC)      |
| SK34B       | 3           | 40        | 70        | 0.50  | 500        | 125                | SMB (DO-214AA)      |
| SR304       | 3           | 40        | 80        | 0.55  | 500        | 150                | DO-201AD            |
| SS34        | 3           | 40        | 100       | 0.50  | 500        | 150                | SMC (DO-214AB)      |
| SS34L       | 3           | 40        | 80        | 0.50  | 500        | 150                | Sub SMA             |
| SSL34       | 3           | 40        | 100       | 0.41  | 500        | 150                | SMC (DO-214AB)      |
| TSSA3U45    | 3           | 45        | 50        | 0.42  | 500        | 150                | SMA (DO-214AC)      |
| TSSE3U45    | 3           | 45        | 80        | 0.40  | 1,000      | 150                | SOD123HE            |
| SK35A       | 3           | 50        | 70        | 0.72  | 500        | 150                | SMA (DO-214AC)      |
| SK35B       | 3           | 50        | 70        | 0.75  | 500        | 150                | SMB (DO-214AA)      |
| SR305       | 3           | 50        | 80        | 0.70  | 500        | 150                | DO-201AD            |
| SS35        | 3           | 50        | 70        | 0.75  | 500        | 150                | SMC (DO-214AB)      |
| SK36A       | 3           | 60        | 70        | 0.72  | 500        | 150                | SMA (DO-214AC)      |
| SK36B       | 3           | 60        | 70        | 0.75  | 500        | 150                | SMB (DO-214AA)      |
| SR306       | 3           | 60        | 80        | 0.70  | 500        | 150                | DO-201AD            |
| SS36        | 3           | 60        | 70        | 0.75  | 500        | 150                | SMC (DO-214AB)      |
| SS36L*      | 3           | 60        | 80        | 0.75  | 500        | 150                | Sub SMA             |
| TSSA3U60    | 3           | 60        | 70        | 0.45  | 500        | 150                | SMA (DO-214AC)      |
| TSSE3U60    | 3           | 60        | 80        | 0.49  | 1,000      | 150                | SOD123HE            |
| SK39A       | 3           | 90        | 70        | 0.85  | 100        | 150                | SMA (DO-214AC)      |
| SK39B       | 3           | 90        | 70        | 0.85  | 100        | 150                | SMB (DO-214AA)      |
| SR309       | 3           | 90        | 80        | 0.85  | 100        | 150                | DO-201AD            |
| SS39        | 3           | 90        | 70        | 0.85  | 100        | 150                | SMC (DO-214AB)      |
| SK310A      | 3           | 100       | 70        | 0.85  | 100        | 150                | SMA (DO-214AC)      |
| SK310B      | 3           | 100       | 70        | 0.85  | 100        | 150                | SMB (DO-214AA)      |
| SR310       | 3           | 100       | 80        | 0.85  | 100        | 150                | DO-201AD            |
| SS310       | 3           | 100       | 70        | 0.85  | 100        | 150                | SMC (DO-214AB)      |
| SS310L*     | 3           | 100       | 80        | 0.85  | 100        | 150                | Sub SMA             |
| SK315A      | 3           | 150       | 70        | 0.95  | 100        | 150                | SMA (DO-214AC)      |
| SK315B      | 3           | 150       | 70        | 0.95  | 100        | 150                | SMB (DO-214AA)      |
| SR315       | 3           | 150       | 80        | 0.85  | 100        | 150                | DO-201AD            |
| SS315       | 3           | 150       | 70        | 0.85  | 100        | 150                | SMC (DO-214AB)      |

Note. \* - Q4/2014

## DIODES - SCHOTTKY

| Part Number | $I_{F(AV)}$ | $V_{RRM}$ | $I_{FSM}$ | $V_F$                   | $I_R$      | $T_J \text{ max.}$ | Package Description |
|-------------|-------------|-----------|-----------|-------------------------|------------|--------------------|---------------------|
|             | (A)         | (V)       | (A)       | (V)                     | ( $\mu$ A) | ( $^{\circ}$ C)    |                     |
| SK320A      | 3           | 200       | 70        | 0.95                    | 100        | 150                | SMA (DO-214AC)      |
| SK320B      | 3           | 200       | 70        | 0.95                    | 100        | 150                | SMB (DO-214AA)      |
| SR320       | 3           | 200       | 80        | 0.95                    | 100        | 150                | DO-201AD            |
| SS320       | 3           | 200       | 70        | 0.85                    | 100        | 150                | SMC (DO-214AB)      |
| SK52B       | 5           | 20        | 120       | 0.5                     | 500        | 150                | SMB (DO-214AA)      |
| SK52C       | 5           | 20        | 120       | 0.55                    | 500        | 150                | SMC (DO-214AB)      |
| SR502       | 5           | 20        | 120       | 0.55                    | 500        | 150                | DO-201AD            |
| SRAF520     | 5           | 20        | 120       | 0.55                    | 500        | 125                | ITO-220AC           |
| SK53B       | 5           | 30        | 120       | 0.5                     | 500        | 150                | SMB (DO-214AA)      |
| SK53C       | 5           | 30        | 120       | 0.55                    | 500        | 150                | SMC (DO-214AB)      |
| SR503       | 5           | 30        | 120       | 0.55                    | 500        | 150                | DO-201AD            |
| SRAF530     | 5           | 30        | 120       | 0.55                    | 500        | 125                | ITO-220AC           |
| SK54B       | 5           | 40        | 120       | 0.5                     | 500        | 150                | SMB (DO-214AA)      |
| SK54C       | 5           | 40        | 120       | 0.55                    | 500        | 150                | SMC (DO-214AB)      |
| SR504       | 5           | 40        | 120       | 0.55                    | 500        | 150                | DO-201AD            |
| SRAF540     | 5           | 40        | 120       | 0.55                    | 500        | 125                | ITO-220AC           |
| SK55B       | 5           | 50        | 120       | 0.75                    | 500        | 150                | SMB (DO-214AA)      |
| SK55C       | 5           | 50        | 120       | 0.75                    | 500        | 150                | SMC (DO-214AB)      |
| SR505       | 5           | 50        | 120       | 0.70                    | 500        | 150                | DO-201AD            |
| SRAF550     | 5           | 50        | 120       | 0.70                    | 500        | 150                | ITO-220AC           |
| TSSA5U50    | 5           | 50        | 75        | 0.44                    | 300        | 150                | SMA (DO-214AC)      |
| SK56B       | 5           | 60        | 120       | 0.75                    | 500        | 150                | SMB (DO-214AA)      |
| SK56C       | 5           | 60        | 120       | 0.75                    | 500        | 150                | SMC (DO-214AB)      |
| SR506       | 5           | 60        | 120       | 0.70                    | 500        | 150                | DO-201AD            |
| SRAF560     | 5           | 60        | 120       | 0.70                    | 500        | 150                | ITO-220AC           |
| TSSA5U60    | 5           | 60        | 75        | 0.46                    | 500        | 150                | SMA (DO-214AC)      |
| SK59B       | 5           | 90        | 120       | 0.85                    | 100        | 150                | SMB (DO-214AA)      |
| SK59C       | 5           | 90        | 120       | 0.85                    | 300        | 150                | SMC (DO-214AB)      |
| SR509       | 5           | 90        | 120       | 0.85                    | 100        | 150                | DO-201AD            |
| SRAF590     | 5           | 90        | 120       | 0.85                    | 200        | 150                | ITO-220AC           |
| MBRF5100    | 5           | 100       | 120       | 0.90                    | 100        | 150                | ITO-220AC           |
| SK510B      | 5           | 100       | 120       | 0.85                    | 100        | 150                | SMB (DO-214AA)      |
| SK510C      | 5           | 100       | 120       | 0.85                    | 300        | 150                | SMC (DO-214AB)      |
| SR510       | 5           | 100       | 120       | 0.85                    | 100        | 150                | DO-201AD            |
| SRAF5100    | 5           | 100       | 120       | 0.85                    | 200        | 150                | ITO-220AC           |
| MBRF5150    | 5           | 150       | 120       | 1.02                    | 100        | 150                | ITO-220AC           |
| SK515B      | 5           | 150       | 120       | 0.95                    | 100        | 150                | SMB (DO-214AA)      |
| SK515C      | 5           | 150       | 120       | 0.95                    | 300        | 150                | SMC (DO-214AB)      |
| SR515       | 5           | 150       | 120       | 1.05                    | 100        | 150                | DO-201AD            |
| SRAF5150    | 5           | 150       | 120       | 0.95                    | 200        | 150                | ITO-220AC           |
| MBRF5200    | 5           | 200       | 120       | 1.02                    | 100        | 150                | ITO-220AC           |
| SK520C      | 5           | 200       | 120       | 0.95                    | 300        | 150                | SMC (DO-214AB)      |
| SR520       | 5           | 200       | 120       | 1.05                    | 100        | 150                | DO-201AD            |
| MBR735      | 7.5         | 35        | 150       | 0.57 @ 125 $^{\circ}$ C | 100        | 150                | TO-220AC            |
| MBRF735     | 7.5         | 35        | 150       | 0.57 @ 125 $^{\circ}$ C | 100        | 150                | ITO-220AC           |
| MBR745      | 7.5         | 45        | 150       | 0.57 @ 125 $^{\circ}$ C | 500        | 150                | TO-220AC            |
| MBRF745     | 7.5         | 45        | 150       | 0.57 @ 125 $^{\circ}$ C | 100        | 150                | ITO-220AC           |

## DIODES - SCHOTTKY

| Part Number | $I_{F(AV)}$ | $V_{RRM}$ | $I_{FSM}$ | $V_F$ | $I_R$      | $T_J \text{ max.}$ | Package Description          |
|-------------|-------------|-----------|-----------|-------|------------|--------------------|------------------------------|
|             | (A)         | (V)       | (A)       | (V)   | ( $\mu$ A) | ( $^{\circ}$ C)    |                              |
| MBR750      | 7.5         | 50        | 150       | 0.75  | 500        | 150                | TO-220AC                     |
| MBRF750     | 7.5         | 50        | 150       | 0.75  | 100        | 150                | ITO-220AC                    |
| MBR760      | 7.5         | 60        | 150       | 0.75  | 500        | 150                | TO-220AC                     |
| MBRF760     | 7.5         | 60        | 150       | 0.75  | 100        | 150                | ITO-220AC                    |
| MBR790      | 7.5         | 90        | 150       | 0.92  | 100        | 150                | TO-220AC                     |
| MBRF790     | 7.5         | 90        | 150       | 0.92  | 100        | 150                | ITO-220AC                    |
| MBR7100     | 7.5         | 100       | 150       | 0.92  | 100        | 150                | TO-220AC                     |
| MBRF7100    | 7.5         | 100       | 150       | 0.92  | 100        | 150                | ITO-220AC                    |
| MBR7150     | 7.5         | 150       | 150       | 0.95  | 100        | 150                | TO-220AC                     |
| MBRF7150    | 7.5         | 150       | 150       | 1.02  | 100        | 150                | ITO-220AC                    |
| SK82C       | 8           | 20        | 150       | 0.55  | 500        | 125                | SMC (DO-214AB)               |
| SR802       | 8           | 20        | 175       | 0.55  | 500        | 150                | DO-201AD                     |
| SRA820      | 8           | 20        | 150       | 0.55  | 500        | 150                | TO-220AC                     |
| SRAF820     | 8           | 20        | 150       | 0.55  | 500        | 150                | ITO-220AC                    |
| SRAS820     | 8           | 20        | 150       | 0.55  | 100        | 150                | D <sup>2</sup> -Pak (TO-263) |
| SK83C       | 8           | 30        | 150       | 0.55  | 500        | 125                | SMC (DO-214AB)               |
| SR803       | 8           | 30        | 175       | 0.55  | 500        | 150                | DO-201AD                     |
| SRA830      | 8           | 30        | 150       | 0.55  | 500        | 150                | TO-220AC                     |
| SRAF830     | 8           | 30        | 150       | 0.55  | 500        | 150                | ITO-220AC                    |
| SRAS830     | 8           | 30        | 150       | 0.55  | 100        | 150                | D <sup>2</sup> -Pak (TO-263) |
| MBRF835CT   | 8           | 35        | 150       | 0.55  | 100        | 150                | ITO-220AB                    |
| SK84C       | 8           | 40        | 150       | 0.55  | 500        | 125                | SMC (DO-214AB)               |
| SR804       | 8           | 40        | 175       | 0.55  | 500        | 150                | DO-201AD                     |
| SRA840      | 8           | 40        | 150       | 0.55  | 500        | 150                | TO-220AC                     |
| SRAF840     | 8           | 40        | 150       | 0.55  | 500        | 150                | ITO-220AC                    |
| SRAS840     | 8           | 40        | 150       | 0.55  | 100        | 150                | D <sup>2</sup> -Pak (TO-263) |
| MBRF845CT   | 8           | 45        | 150       | 0.55  | 100        | 150                | ITO-220AB                    |
| MBRF850CT   | 8           | 50        | 150       | 0.70  | 100        | 150                | ITO-220AB                    |
| SK85C       | 8           | 50        | 150       | 0.75  | 500        | 150                | SMC (DO-214AB)               |
| SR805       | 8           | 50        | 175       | 0.70  | 500        | 150                | DO-201AD                     |
| SRA850      | 8           | 50        | 150       | 0.70  | 500        | 150                | TO-220AC                     |
| SRAF850     | 8           | 50        | 150       | 0.70  | 500        | 150                | ITO-220AC                    |
| SRAS850     | 8           | 50        | 150       | 0.70  | 100        | 150                | D <sup>2</sup> -Pak (TO-263) |
| MBRF860CT   | 8           | 60        | 150       | 0.70  | 100        | 150                | ITO-220AB                    |
| SK86C       | 8           | 60        | 150       | 0.75  | 500        | 150                | SMC (DO-214AB)               |
| SR806       | 8           | 60        | 175       | 0.70  | 500        | 150                | DO-201AD                     |
| SRA860      | 8           | 60        | 150       | 0.70  | 500        | 150                | TO-220AC                     |
| SRAF860     | 8           | 60        | 150       | 0.70  | 500        | 150                | ITO-220AC                    |
| SRAS860     | 8           | 60        | 150       | 0.70  | 100        | 150                | D <sup>2</sup> -Pak (TO-263) |
| MBRF890CT   | 8           | 90        | 150       | 0.80  | 100        | 150                | ITO-220AB                    |
| SR809       | 8           | 90        | 150       | 0.92  | 100        | 150                | DO-201AD                     |
| SRA890      | 8           | 90        | 150       | 0.92  | 100        | 150                | TO-220AC                     |
| SRAF890     | 8           | 90        | 150       | 0.85  | 100        | 150                | ITO-220AC                    |
| SRAS890     | 8           | 90        | 150       | 0.95  | 100        | 150                | D <sup>2</sup> -Pak (TO-263) |
| MBRF8100CT  | 8           | 100       | 150       | 0.80  | 100        | 150                | ITO-220AB                    |
| SK810C      | 8           | 100       | 150       | 0.90  | 500        | 150                | SMC (DO-214AB)               |
| SR810       | 8           | 100       | 150       | 0.92  | 100        | 150                | DO-201AD                     |

## DIODES - SCHOTTKY

| Part Number  | $I_{F(AV)}$ | $V_{RRM}$ | $I_{FSM}$ | $V_F$ | $I_R$      | $T_J \text{ max.}$ | Package Description          |
|--------------|-------------|-----------|-----------|-------|------------|--------------------|------------------------------|
|              | (A)         | (V)       | (A)       | (V)   | ( $\mu$ A) | ( $^{\circ}$ C)    |                              |
| SRA8100      | 8           | 100       | 150       | 0.92  | 100        | 150                | TO-220AC                     |
| SRAF8100     | 8           | 100       | 150       | 0.85  | 100        | 150                | ITO-220AC                    |
| SRAS8100     | 8           | 100       | 150       | 0.95  | 100        | 150                | D <sup>2</sup> -Pak (TO-263) |
| MBRF8150CT   | 8           | 150       | 150       | 0.95  | 100        | 150                | ITO-220AB                    |
| SR815        | 8           | 150       | 150       | 1.02  | 100        | 150                | DO-201AD                     |
| SRA8150      | 8           | 150       | 150       | 1.05  | 100        | 150                | TO-220AC                     |
| SRAF8150     | 8           | 150       | 150       | 0.95  | 100        | 150                | ITO-220AC                    |
| SRAS8150     | 8           | 150       | 150       | 0.95  | 100        | 150                | D <sup>2</sup> -Pak (TO-263) |
| SR820        | 8           | 200       | 150       | 1.02  | 100        | 150                | DO-201AD                     |
| SR1020       | 10          | 20        | 120       | 0.55  | 500        | 150                | TO-220AB                     |
| SRA1020      | 10          | 20        | 170       | 0.55  | 500        | 150                | TO-220AC                     |
| SRAF1020     | 10          | 20        | 200       | 0.55  | 500        | 150                | ITO-220AC                    |
| SRF1020      | 10          | 20        | 120       | 0.55  | 500        | 150                | ITO-220AB                    |
| SRS1020      | 10          | 20        | 120       | 0.55  | 500        | 150                | D <sup>2</sup> -Pak (TO-263) |
| SR1030       | 10          | 30        | 120       | 0.55  | 500        | 150                | TO-220AB                     |
| SRA1030      | 10          | 30        | 170       | 0.55  | 500        | 150                | TO-220AC                     |
| SRAF1030     | 10          | 30        | 200       | 0.55  | 500        | 150                | ITO-220AC                    |
| SRF1030      | 10          | 30        | 120       | 0.55  | 500        | 150                | ITO-220AB                    |
| SRS1030      | 10          | 30        | 120       | 0.55  | 500        | 150                | D <sup>2</sup> -Pak (TO-263) |
| MBR1035      | 10          | 35        | 150       | 0.70  | 100        | 150                | TO-220AC                     |
| MBR1035CT    | 10          | 35        | 120       | 0.70  | 100        | 150                | TO-220AB                     |
| MBRF1035     | 10          | 35        | 150       | 0.70  | 100        | 150                | ITO-220AC                    |
| MBRF1035CT   | 10          | 35        | 120       | 0.70  | 100        | 150                | ITO-220AB                    |
| MBRS1035     | 10          | 35        | 120       | 0.72  | 100        | 175                | D <sup>2</sup> -Pak (TO-263) |
| MBRS1035CT   | 10          | 35        | 120       | 0.70  | 100        | 150                | D <sup>2</sup> -Pak (TO-263) |
| SR1040       | 10          | 40        | 120       | 0.55  | 500        | 150                | TO-220AB                     |
| SRA1040      | 10          | 40        | 170       | 0.55  | 500        | 150                | TO-220AC                     |
| SRAF1040     | 10          | 40        | 200       | 0.55  | 500        | 150                | ITO-220AC                    |
| SRF1040      | 10          | 40        | 120       | 0.55  | 500        | 150                | ITO-220AB                    |
| SRS1040      | 10          | 40        | 120       | 0.55  | 500        | 150                | D <sup>2</sup> -Pak (TO-263) |
| MBR1045      | 10          | 45        | 150       | 0.70  | 100        | 150                | TO-220AC                     |
| MBR1045CT    | 10          | 45        | 120       | 0.70  | 100        | 150                | TO-220AB                     |
| MBR1045CT-Y  | 10          | 45        | 120       | 0.70  | 100        | 150                | TO-220AB                     |
| MBRF1045     | 10          | 45        | 150       | 0.70  | 100        | 150                | ITO-220AC                    |
| MBRF1045CT   | 10          | 45        | 120       | 0.70  | 100        | 150                | ITO-220AB                    |
| MBRF1045CT-Y | 10          | 45        | 120       | 0.70  | 100        | 150                | ITO-220AB                    |
| MBRS1045     | 10          | 45        | 120       | 0.72  | 100        | 175                | D <sup>2</sup> -Pak (TO-263) |
| MBRS1045CT   | 10          | 45        | 120       | 0.70  | 100        | 150                | D <sup>2</sup> -Pak (TO-263) |
| MBRS1045CT-Y | 10          | 45        | 120       | 0.70  | 100        | 150                | D <sup>2</sup> -Pak (TO-263) |
| TSP10U45S    | 10          | 45        | 275       | 0.41  | 300        | 150                | SMPC (TO-277A)               |
| TSPB10U45S   | 10          | 45        | 275       | 0.42  | 150        | 150                | SMPC4.0                      |
| TSF10H45C    | 10          | 45        | 100       | 0.48  | 500        | 150                | ITO-220AB                    |
| TSF10M45C    | 10          | 45        | 100       | 0.47  | 500        | 150                | ITO-220AB                    |
| TSP10H45S    | 10          | 45        | 180       | 0.48  | 150        | 150                | SMPC (TO-277A)               |
| MBR1050      | 10          | 50        | 150       | 0.80  | 100        | 150                | TO-220AC                     |
| MBR1050CT    | 10          | 50        | 120       | 0.80  | 100        | 150                | TO-220AB                     |
| MBRF1050     | 10          | 50        | 150       | 0.80  | 100        | 150                | ITO-220AC                    |



## DIODES - SCHOTTKY

| Part Number   | $I_{F(AV)}$ | $V_{RRM}$ | $I_{FSM}$ | $V_F$ | $I_R$      | $T_j \text{ max.}$ | Package Description          |
|---------------|-------------|-----------|-----------|-------|------------|--------------------|------------------------------|
|               | (A)         | (V)       | (A)       | (V)   | ( $\mu$ A) | ( $^{\circ}$ C)    |                              |
| MBRF1050CT    | 10          | 50        | 120       | 0.80  | 100        | 150                | ITO-220AB                    |
| MBRS1050      | 10          | 50        | 120       | 0.80  | 100        | 175                | D <sup>2</sup> -Pak (TO-263) |
| MBRS1050CT    | 10          | 50        | 120       | 0.80  | 100        | 150                | D <sup>2</sup> -Pak (TO-263) |
| SR1050        | 10          | 50        | 120       | 0.70  | 500        | 150                | TO-220AB                     |
| SRA1050       | 10          | 50        | 170       | 0.70  | 500        | 150                | TO-220AC                     |
| SRAF1050      | 10          | 50        | 200       | 0.70  | 500        | 150                | ITO-220AC                    |
| SRF1050       | 10          | 50        | 120       | 0.70  | 500        | 150                | ITO-220AB                    |
| SRS1050       | 10          | 50        | 120       | 0.70  | 500        | 150                | D <sup>2</sup> -Pak (TO-263) |
| MBR1060       | 10          | 60        | 150       | 0.80  | 100        | 150                | TO-220AC                     |
| MBR1060CT     | 10          | 60        | 120       | 0.80  | 100        | 150                | TO-220AB                     |
| MBR1060CT-Y   | 10          | 60        | 120       | 0.80  | 100        | 150                | TO-220AB                     |
| MBRF1060      | 10          | 60        | 150       | 0.80  | 100        | 150                | ITO-220AC                    |
| MBRF1060CT    | 10          | 60        | 120       | 0.80  | 100        | 150                | ITO-220AB                    |
| MBRF1060CT-Y  | 10          | 60        | 120       | 0.80  | 100        | 150                | ITO-220AB                    |
| MBRS1060      | 10          | 60        | 120       | 0.80  | 100        | 175                | D <sup>2</sup> -Pak (TO-263) |
| MBRS1060CT    | 10          | 60        | 120       | 0.80  | 100        | 150                | D <sup>2</sup> -Pak (TO-263) |
| MBRS1060CT-Y  | 10          | 60        | 120       | 0.80  | 100        | 150                | D <sup>2</sup> -Pak (TO-263) |
| SR1060        | 10          | 60        | 120       | 0.70  | 500        | 150                | TO-220AB                     |
| SRA1060       | 10          | 60        | 170       | 0.70  | 500        | 150                | TO-220AC                     |
| SRAF1060      | 10          | 60        | 200       | 0.70  | 500        | 150                | ITO-220AC                    |
| SRF1060       | 10          | 60        | 120       | 0.70  | 100        | 150                | ITO-220AB                    |
| SRS1060       | 10          | 60        | 120       | 0.70  | 500        | 150                | D <sup>2</sup> -Pak (TO-263) |
| TSP10U60C     | 10          | 60        | 150       | 0.42  | 500        | 150                | ITO-220AB                    |
| TSP10U60S     | 10          | 60        | 280       | 0.47  | 300        | 150                | SMPC (TO-277A)               |
| TSF10H60C     | 10          | 60        | 100       | 0.54  | 500        | 150                | ITO-220AB                    |
| TSP10H60S     | 10          | 60        | 180       | 0.52  | 150        | 150                | SMPC (TO-277A)               |
| MBR1090       | 10          | 90        | 150       | 0.85  | 100        | 150                | TO-220AC                     |
| MBR1090CT     | 10          | 90        | 120       | 0.85  | 100        | 150                | TO-220AB                     |
| MBRF1090      | 10          | 90        | 150       | 0.85  | 100        | 150                | ITO-220AC                    |
| MBRF1090CT    | 10          | 90        | 120       | 0.85  | 100        | 150                | ITO-220AB                    |
| MBRS1090      | 10          | 90        | 120       | 0.85  | 100        | 175                | D <sup>2</sup> -Pak (TO-263) |
| MBRS1090CT    | 10          | 90        | 120       | 0.85  | 100        | 150                | D <sup>2</sup> -Pak (TO-263) |
| SR1090        | 10          | 90        | 120       | 0.85  | 100        | 150                | TO-220AB                     |
| SRA1090       | 10          | 90        | 170       | 0.75  | 100        | 150                | TO-220AC                     |
| SRAF1090      | 10          | 90        | 200       | 0.85  | 100        | 150                | ITO-220AC                    |
| SRF1090       | 10          | 90        | 120       | 0.90  | 100        | 150                | ITO-220AB                    |
| SRS1090       | 10          | 90        | 120       | 0.90  | 100        | 150                | D <sup>2</sup> -Pak (TO-263) |
| MBR10100      | 10          | 100       | 150       | 0.85  | 100        | 150                | TO-220AC                     |
| MBR10100CT    | 10          | 100       | 120       | 0.85  | 100        | 150                | TO-220AB                     |
| MBR10100CT-Y  | 10          | 100       | 120       | 0.85  | 100        | 150                | TO-220AB                     |
| MBR10H100CT   | 10          | 100       | 120       | 0.85  | 5          | 175                | TO-220AB                     |
| MBR10L100CT   | 10          | 100       | 120       | 0.76  | 20         | 150                | TO-220AB                     |
| MBRF10100     | 10          | 100       | 150       | 0.85  | 100        | 150                | ITO-220AC                    |
| MBRF10100CT   | 10          | 100       | 120       | 0.85  | 100        | 150                | ITO-220AB                    |
| MBRF10100CT-Y | 10          | 100       | 120       | 0.85  | 100        | 150                | ITO-220AB                    |
| MBRF10H100CT  | 10          | 100       | 120       | 0.85  | 5          | 175                | ITO-220AB                    |
| MBRF10L100CT  | 10          | 100       | 120       | 0.76  | 20         | 150                | ITO-220AB                    |

## DIODES - SCHOTTKY

| Part Number   | $I_{F(AV)}$ | $V_{RRM}$ | $I_{FSM}$ | $V_F$ | $I_R$      | $T_j \text{ max.}$ | Package Description          |
|---------------|-------------|-----------|-----------|-------|------------|--------------------|------------------------------|
|               | (A)         | (V)       | (A)       | (V)   | ( $\mu$ A) | ( $^{\circ}$ C)    |                              |
| MBRS10100     | 10          | 100       | 120       | 0.85  | 100        | 175                | D <sup>2</sup> -Pak (TO-263) |
| MBRS10100CT   | 10          | 100       | 120       | 0.85  | 100        | 150                | D <sup>2</sup> -Pak (TO-263) |
| MBRS10100CT-Y | 10          | 100       | 120       | 0.85  | 100        | 150                | D <sup>2</sup> -Pak (TO-263) |
| MBRS10H100CT  | 10          | 100       | 120       | 0.85  | 5          | 175                | D <sup>2</sup> -Pak (TO-263) |
| SR10100       | 10          | 100       | 120       | 0.85  | 100        | 150                | TO-220AB                     |
| SRA10100      | 10          | 100       | 170       | 0.75  | 100        | 150                | TO-220AC                     |
| SRAF10100     | 10          | 100       | 200       | 0.85  | 100        | 150                | ITO-220AC                    |
| SRF10100      | 10          | 100       | 120       | 0.90  | 100        | 150                | ITO-220AB                    |
| SRS10100      | 10          | 100       | 120       | 0.90  | 100        | 150                | D <sup>2</sup> -Pak (TO-263) |
| TSF10H100C    | 10          | 100       | 120       | 0.70  | 100        | 150                | ITO-220AB                    |
| TSP10U100S    | 10          | 100       | 140       | 0.60  | 150        | 150                | SMPC (TO-277A)               |
| TSP10U120S    | 10          | 120       | 140       | 0.68  | 150        | 150                | SMPC (TO-277A)               |
| TSF10H120C*   | 10          | 120       | 100       | 0.66  | 100        | 150                | ITO-220AB                    |
| MBR10150      | 10          | 150       | 150       | 1.05  | 100        | 150                | TO-220AC                     |
| MBR10150CT    | 10          | 150       | 120       | 0.88  | 100        | 150                | TO-220AB                     |
| MBR10150CT-Y  | 10          | 150       | 120       | 0.88  | 100        | 150                | TO-220AB                     |
| MBR10H150CT   | 10          | 150       | 120       | 0.88  | 5          | 175                | TO-220AB                     |
| MBRF10150     | 10          | 150       | 150       | 1.05  | 100        | 150                | ITO-220AC                    |
| MBRF10150CT   | 10          | 150       | 120       | 0.88  | 100        | 150                | ITO-220AB                    |
| MBRF10150CT-Y | 10          | 150       | 120       | 0.88  | 100        | 150                | ITO-220AB                    |
| MBRF10H150CT  | 10          | 150       | 120       | 0.88  | 5          | 175                | ITO-220AB                    |
| MBRS10150     | 10          | 150       | 120       | 1.05  | 100        | 175                | D <sup>2</sup> -Pak (TO-263) |
| MBRS10150CT   | 10          | 150       | 120       | 0.88  | 100        | 150                | D <sup>2</sup> -Pak (TO-263) |
| MBRS10150CT-Y | 10          | 150       | 120       | 0.88  | 100        | 150                | D <sup>2</sup> -Pak (TO-263) |
| MBRS10H150CT  | 10          | 150       | 120       | 0.88  | 5          | 175                | D <sup>2</sup> -Pak (TO-263) |
| SR10150       | 10          | 150       | 120       | 0.95  | 100        | 150                | TO-220AB                     |
| SRA10150      | 10          | 150       | 170       | 0.75  | 100        | 150                | TO-220AC                     |
| SRAF10150     | 10          | 150       | 200       | 0.95  | 100        | 150                | ITO-220AC                    |
| SRF10150      | 10          | 150       | 120       | 0.90  | 100        | 150                | ITO-220AB                    |
| SRS10150      | 10          | 150       | 120       | 1.00  | 100        | 150                | D <sup>2</sup> -Pak (TO-263) |
| TSP10H200S    | 10          | 200       | 180       | 0.75  | 100        | 150                | SMPC (TO-277A)               |
| MBR10200      | 10          | 200       | 150       | 1.05  | 100        | 150                | TO-220AC                     |
| MBR10200CT    | 10          | 200       | 120       | 0.88  | 100        | 150                | TO-220AB                     |
| MBR10200CT-Y  | 10          | 200       | 120       | 0.88  | 100        | 150                | TO-220AB                     |
| MBR10H200CT   | 10          | 200       | 120       | 0.88  | 5          | 175                | TO-220AB                     |
| MBRF10200     | 10          | 200       | 150       | 1.05  | 100        | 150                | ITO-220AC                    |
| MBRF10200CT   | 10          | 200       | 120       | 0.88  | 100        | 150                | ITO-220AB                    |
| MBRF10200CT-Y | 10          | 200       | 120       | 0.88  | 100        | 150                | ITO-220AB                    |
| MBRF10H200CT  | 10          | 200       | 120       | 0.88  | 5          | 175                | ITO-220AB                    |
| MBRS10H200CT  | 10          | 200       | 120       | 0.88  | 5          | 175                | D <sup>2</sup> -Pak (TO-263) |
| SR1202        | 12          | 20        | 280       | 0.55  | 500        | 150                | DO-201AD                     |
| SR1203        | 12          | 30        | 320       | 0.55  | 500        | 150                | DO-201AD                     |
| SR1204        | 12          | 40        | 320       | 0.55  | 500        | 150                | DO-201AD                     |
| SK12H45       | 12          | 45        | 320       | 0.55  | 150        | 175                | DO-201AD                     |
| SK12H60       | 12          | 60        | 320       | 0.70  | 150        | 175                | DO-201AD                     |
| TSP12U120S    | 12          | 120       | 150       | 0.68  | 500        | 150                | SMPC (TO-277A)               |
| SR1502        | 15          | 20        | 300       | 0.55  | 500        | 150                | R-6                          |

Note. \* - Q4/2014

## DIODES - SCHOTTKY

| Part Number   | $I_{F(AV)}$ | $V_{RRM}$ | $I_{FSM}$ | $V_F$                   | $I_R$      | $T_J \text{ max.}$ | Package Description          |
|---------------|-------------|-----------|-----------|-------------------------|------------|--------------------|------------------------------|
|               | (A)         | (V)       | (A)       | (V)                     | ( $\mu$ A) | ( $^{\circ}$ C)    |                              |
| SR1503        | 15          | 30        | 340       | 0.55                    | 500        | 150                | R-6                          |
| MBR1535CT     | 15          | 35        | 150       | 0.57 @ 125 $^{\circ}$ C | 100        | 150                | TO-220AB                     |
| MBRF1535CT    | 15          | 35        | 150       | 0.57 @ 125 $^{\circ}$ C | 500        | 150                | ITO-220AB                    |
| MBRS1535CT    | 15          | 35        | 150       | 0.57 @ 125 $^{\circ}$ C | 100        | 150                | D <sup>2</sup> -Pak (TO-263) |
| SR1504        | 15          | 40        | 340       | 0.55                    | 500        | 150                | R-6                          |
| MBR1545CT     | 15          | 45        | 150       | 0.57 @ 125 $^{\circ}$ C | 100        | 150                | TO-220AB                     |
| MBR1545CT-Y   | 15          | 45        | 150       | 0.57 @ 125 $^{\circ}$ C | 100        | 150                | TO-220AB                     |
| MBRF1545CT    | 15          | 45        | 150       | 0.57 @ 125 $^{\circ}$ C | 500        | 150                | ITO-220AB                    |
| MBRF1545CT-Y  | 15          | 45        | 150       | 0.57                    | 500        | 150                | ITO-220AB                    |
| MBRS1545CT    | 15          | 45        | 150       | 0.57 @ 125 $^{\circ}$ C | 100        | 150                | D <sup>2</sup> -Pak (TO-263) |
| MBRS1545CT-Y  | 15          | 45        | 150       | 0.84                    | 100        | 150                | D <sup>2</sup> -Pak (TO-263) |
| MBRS15H45CT   | 15          | 45        | 150       | 0.65                    | 30         | 175                | D <sup>2</sup> -Pak (TO-263) |
| SK15H45       | 15          | 45        | 340       | 0.56                    | 150        | 175                | R-6                          |
| MBR1550CT     | 15          | 50        | 150       | 0.75                    | 100        | 150                | TO-220AB                     |
| MBRF1550CT    | 15          | 50        | 150       | 0.75                    | 300        | 150                | ITO-220AB                    |
| MBRS1550CT    | 15          | 50        | 150       | 0.75                    | 100        | 150                | D <sup>2</sup> -Pak (TO-263) |
| TSP15U50S     | 15          | 50        | 200       | 0.50                    | 2,000      | 150                | SMPC (TO-277A)               |
| TSPB15U50S    | 15          | 50        | 200       | 0.48                    | 2,000      | 150                | SMPC4.0                      |
| MBR1560CT     | 15          | 60        | 150       | 0.75                    | 100        | 150                | TO-220AB                     |
| MBR1560CT-Y   | 15          | 60        | 150       | 0.75                    | 100        | 150                | TO-220AB                     |
| MBRF1560CT    | 15          | 60        | 150       | 0.75                    | 300        | 150                | ITO-220AB                    |
| MBRF1560CT-Y  | 15          | 60        | 150       | 0.75                    | 300        | 150                | ITO-220AB                    |
| MBRS1560CT    | 15          | 60        | 150       | 0.75                    | 100        | 150                | D <sup>2</sup> -Pak (TO-263) |
| MBRS1560CT-Y  | 15          | 60        | 150       | 0.75                    | 100        | 150                | D <sup>2</sup> -Pak (TO-263) |
| MBR1590CT     | 15          | 90        | 150       | 0.92                    | 100        | 150                | TO-220AB                     |
| MBRF1590CT    | 15          | 90        | 150       | 0.92                    | 100        | 150                | ITO-220AB                    |
| MBRS1590CT    | 15          | 90        | 150       | 0.92                    | 100        | 150                | D <sup>2</sup> -Pak (TO-263) |
| MBR15100CT    | 15          | 100       | 150       | 0.92                    | 100        | 150                | TO-220AB                     |
| MBR15100CT-Y  | 15          | 100       | 150       | 0.92                    | 100        | 150                | TO-220AB                     |
| MBRF15100CT   | 15          | 100       | 150       | 0.92                    | 100        | 150                | ITO-220AB                    |
| MBRF15100CT-Y | 15          | 100       | 150       | 0.92                    | 100        | 150                | ITO-220AB                    |
| MBRS15100CT   | 15          | 100       | 150       | 0.92                    | 100        | 150                | D <sup>2</sup> -Pak (TO-263) |
| MBRS15100CT-Y | 15          | 100       | 150       | 0.92                    | 100        | 150                | D <sup>2</sup> -Pak (TO-263) |
| TSP15U100S    | 15          | 100       | 150       | 0.62                    | 250        | 150                | SMPC (TO-277A)               |
| TSPB15U100S   | 15          | 100       | 150       | 0.62                    | 250        | 150                | SMPC4.0                      |
| MBR15150CT*   | 15          | 150       | 150       | 0.95                    | 100        | 150                | TO-220AB                     |
| MBR15150CT-Y  | 15          | 150       | 150       | 0.95                    | 100        | 150                | TO-220AB                     |
| MBRF15150CT   | 15          | 150       | 150       | 0.95                    | 100        | 150                | ITO-220AB                    |
| MBRF15150CT-Y | 15          | 150       | 150       | 0.95                    | 100        | 150                | ITO-220AB                    |
| MBRS15150CT   | 15          | 150       | 150       | 0.95                    | 100        | 150                | D <sup>2</sup> -Pak (TO-263) |
| MBRS15150CT-Y | 15          | 150       | 150       | 0.95                    | 100        | 150                | D <sup>2</sup> -Pak (TO-263) |
| SR1620        | 16          | 20        | 170       | 0.55                    | 500        | 125                | TO-220AB                     |
| SR1620PT      | 16          | 20        | 200       | 0.55                    | 500        | 125                | TO-3P                        |
| SRA1620       | 16          | 20        | 200       | 0.55                    | 500        | 125                | TO-220AC                     |
| SRAF1620      | 16          | 20        | 275       | 0.55                    | 500        | 125                | ITO-220AC                    |
| SRF1620       | 16          | 20        | 200       | 0.55                    | 500        | 125                | ITO-220AB                    |
| SRS1620       | 16          | 20        | 150       | 0.55                    | 500        | 125                | D <sup>2</sup> -Pak (TO-263) |

Note. \* - Q4/2014

## DIODES - SCHOTTKY

| Part Number | $I_{F(AV)}$ | $V_{RRM}$ | $I_{FSM}$ | $V_F$ | $I_R$      | $T_J \text{ max.}$ | Package Description          |
|-------------|-------------|-----------|-----------|-------|------------|--------------------|------------------------------|
|             | (A)         | (V)       | (A)       | (V)   | ( $\mu$ A) | ( $^{\circ}$ C)    |                              |
| SR1630      | 16          | 30        | 170       | 0.55  | 500        | 125                | TO-220AB                     |
| SR1630PT    | 16          | 30        | 200       | 0.55  | 500        | 125                | TO-3P                        |
| SRA1630     | 16          | 30        | 200       | 0.55  | 500        | 125                | TO-220AC                     |
| SRAF1630    | 16          | 30        | 275       | 0.55  | 500        | 125                | ITO-220AC                    |
| SRF1630     | 16          | 30        | 200       | 0.55  | 500        | 125                | ITO-220AB                    |
| SRS1630     | 16          | 30        | 150       | 0.55  | 500        | 125                | D <sup>2</sup> -Pak (TO-263) |
| MBR1635     | 16          | 35        | 150       | 0.63  | 500        | 150                | TO-220AC                     |
| MBRF1635    | 16          | 35        | 150       | 0.63  | 500        | 150                | ITO-220AC                    |
| MBRS1635    | 16          | 35        | 150       | 0.63  | 500        | 150                | D <sup>2</sup> -Pak (TO-263) |
| SR1640      | 16          | 40        | 170       | 0.55  | 500        | 125                | TO-220AB                     |
| SR1640PT    | 16          | 40        | 200       | 0.55  | 500        | 125                | TO-3P                        |
| SRA1640     | 16          | 40        | 200       | 0.55  | 500        | 125                | TO-220AC                     |
| SRAF1640    | 16          | 40        | 275       | 0.55  | 500        | 125                | ITO-220AC                    |
| SRF1640     | 16          | 40        | 200       | 0.55  | 500        | 125                | ITO-220AB                    |
| SRS1640     | 16          | 40        | 150       | 0.55  | 500        | 125                | D <sup>2</sup> -Pak (TO-263) |
| MBR1645     | 16          | 45        | 150       | 0.63  | 500        | 150                | TO-220AC                     |
| MBRF1645    | 16          | 45        | 150       | 0.63  | 500        | 150                | ITO-220AC                    |
| MBRF16H45   | 16          | 45        | 275       | 0.63  | 500        | 150                | ITO-220AC                    |
| MBRS1645    | 16          | 45        | 150       | 0.63  | 500        | 150                | D <sup>2</sup> -Pak (TO-263) |
| MBR1650     | 16          | 50        | 150       | 0.75  | 500        | 150                | TO-220AC                     |
| MBRF1650    | 16          | 50        | 150       | 0.75  | 500        | 150                | ITO-220AC                    |
| MBRS1650    | 16          | 50        | 150       | 0.75  | 500        | 150                | D <sup>2</sup> -Pak (TO-263) |
| SR1650      | 16          | 50        | 170       | 0.70  | 500        | 150                | TO-220AB                     |
| SR1650PT    | 16          | 50        | 200       | 0.70  | 500        | 150                | TO-3P                        |
| SRA1650     | 16          | 50        | 200       | 0.70  | 500        | 150                | TO-220AC                     |
| SRAF1650    | 16          | 50        | 275       | 0.70  | 500        | 150                | ITO-220AC                    |
| SRF1650     | 16          | 50        | 200       | 0.70  | 500        | 150                | ITO-220AB                    |
| SRS1650     | 16          | 50        | 150       | 0.70  | 500        | 150                | D <sup>2</sup> -Pak (TO-263) |
| MBR1660     | 16          | 60        | 150       | 0.75  | 500        | 150                | TO-220AC                     |
| MBRF1660    | 16          | 60        | 150       | 0.75  | 500        | 150                | ITO-220AC                    |
| MBRS1660    | 16          | 60        | 150       | 0.75  | 500        | 150                | D <sup>2</sup> -Pak (TO-263) |
| SR1660      | 16          | 60        | 170       | 0.70  | 500        | 150                | TO-220AB                     |
| SR1660PT    | 16          | 60        | 200       | 0.70  | 500        | 150                | TO-3P                        |
| SRA1660     | 16          | 60        | 200       | 0.70  | 500        | 150                | TO-220AC                     |
| SRAF1660    | 16          | 60        | 275       | 0.70  | 500        | 150                | ITO-220AC                    |
| SRF1660     | 16          | 60        | 200       | 0.70  | 500        | 150                | ITO-220AB                    |
| SRS1660     | 16          | 60        | 150       | 0.70  | 500        | 150                | D <sup>2</sup> -Pak (TO-263) |
| MBR1690     | 16          | 90        | 150       | 0.85  | 300        | 150                | TO-220AC                     |
| MBRF1690    | 16          | 90        | 150       | 0.85  | 300        | 150                | ITO-220AC                    |
| MBRS1690    | 16          | 90        | 150       | 0.85  | 300        | 150                | D <sup>2</sup> -Pak (TO-263) |
| SR1690      | 16          | 90        | 170       | 0.90  | 100        | 150                | TO-220AB                     |
| SR1690PT    | 16          | 90        | 200       | 0.90  | 100        | 150                | TO-3P                        |
| SRA1690     | 16          | 90        | 200       | 0.92  | 100        | 150                | TO-220AC                     |
| SRAF1690    | 16          | 90        | 275       | 0.92  | 100        | 150                | ITO-220AC                    |
| SRF1690     | 16          | 90        | 200       | 0.90  | 100        | 150                | ITO-220AB                    |
| SRS1690     | 16          | 90        | 150       | 0.90  | 100        | 150                | D <sup>2</sup> -Pak (TO-263) |
| MBR16100    | 16          | 100       | 150       | 0.85  | 300        | 150                | TO-220AC                     |

## DIODES - SCHOTTKY

| Part Number  | $I_{F(AV)}$ | $V_{RRM}$ | $I_{FSM}$ | $V_F$                   | $I_R$      | $T_J \text{ max.}$ | Package Description          |
|--------------|-------------|-----------|-----------|-------------------------|------------|--------------------|------------------------------|
|              | (A)         | (V)       | (A)       | (V)                     | ( $\mu$ A) | ( $^{\circ}$ C)    |                              |
| MBRF16100    | 16          | 100       | 150       | 0.85                    | 300        | 150                | ITO-220AC                    |
| MBRS16100    | 16          | 100       | 150       | 0.85                    | 300        | 150                | D <sup>2</sup> -Pak (TO-263) |
| SR16100      | 16          | 100       | 170       | 0.90                    | 100        | 150                | TO-220AB                     |
| SR16100PT    | 16          | 100       | 200       | 0.90                    | 100        | 150                | TO-3P                        |
| SRA16100     | 16          | 100       | 200       | 0.92                    | 100        | 150                | TO-220AC                     |
| SRAF16100    | 16          | 100       | 275       | 0.92                    | 100        | 150                | ITO-220AC                    |
| SRF16100     | 16          | 100       | 200       | 0.90                    | 100        | 150                | ITO-220AB                    |
| SRS16100     | 16          | 100       | 150       | 0.90                    | 100        | 150                | D <sup>2</sup> -Pak (TO-263) |
| MBR16150     | 16          | 150       | 150       | 0.95                    | 100        | 150                | TO-220AC                     |
| MBRF16150    | 16          | 150       | 150       | 0.95                    | 100        | 150                | ITO-220AC                    |
| MBRS16150    | 16          | 150       | 150       | 0.95                    | 100        | 150                | D <sup>2</sup> -Pak (TO-263) |
| SR16150      | 16          | 150       | 170       | 1.05                    | 100        | 150                | TO-220AB                     |
| SR16150PT    | 16          | 150       | 200       | 1.00                    | 100        | 150                | TO-3P                        |
| SRF16150     | 16          | 150       | 200       | 1.00                    | 100        | 150                | ITO-220AB                    |
| SR2020       | 20          | 20        | 200       | 0.55                    | 500        | 125                | TO-220AB                     |
| SR2020PT     | 20          | 20        | 200       | 0.55                    | 500        | 125                | TO-3P                        |
| SRA2020      | 20          | 20        | 300       | 0.55                    | 500        | 125                | TO-220AC                     |
| SRAS2020     | 20          | 20        | 330       | 0.57                    | 500        | 150                | D <sup>2</sup> -Pak (TO-263) |
| SRF2020      | 20          | 20        | 200       | 0.55                    | 500        | 125                | ITO-220AB                    |
| SRS2020      | 20          | 20        | 200       | 0.55                    | 500        | 125                | D <sup>2</sup> -Pak (TO-263) |
| SR2030       | 20          | 30        | 200       | 0.55                    | 500        | 125                | TO-220AB                     |
| SR2030PT     | 20          | 30        | 200       | 0.55                    | 500        | 125                | TO-3P                        |
| SRA2030      | 20          | 30        | 300       | 0.55                    | 500        | 125                | TO-220AC                     |
| SRAS2030     | 20          | 30        | 330       | 0.57                    | 500        | 150                | D <sup>2</sup> -Pak (TO-263) |
| SRF2030      | 20          | 30        | 200       | 0.55                    | 500        | 125                | ITO-220AB                    |
| SRS2030      | 20          | 30        | 200       | 0.55                    | 500        | 125                | D <sup>2</sup> -Pak (TO-263) |
| MBR2035CT    | 20          | 35        | 150       | 0.57 @ 125 $^{\circ}$ C | 100        | 150                | TO-220AB                     |
| MBR2035CT-Y  | 20          | 35        | 150       | 0.57 @ 125 $^{\circ}$ C | 100        | 150                | TO-220AB                     |
| MBR2035PT    | 20          | 35        | 150       | 0.57 @ 125 $^{\circ}$ C | 100        | 150                | TO-3P                        |
| MBRF2035     | 20          | 35        | 150       | 0.75                    | 200        | 150                | ITO-220AC                    |
| MBRF2035CT   | 20          | 35        | 150       | 0.57 @ 125 $^{\circ}$ C | 100        | 150                | ITO-220AB                    |
| MBRS2035CT   | 20          | 35        | 150       | 0.57 @ 125 $^{\circ}$ C | 100        | 150                | D <sup>2</sup> -Pak (TO-263) |
| SR2040       | 20          | 40        | 200       | 0.55                    | 500        | 125                | TO-220AB                     |
| SR2040PT     | 20          | 40        | 200       | 0.55                    | 500        | 125                | TO-3P                        |
| SRA2040      | 20          | 40        | 300       | 0.55                    | 500        | 125                | TO-220AC                     |
| SRAS2040     | 20          | 40        | 330       | 0.57                    | 500        | 150                | D <sup>2</sup> -Pak (TO-263) |
| SRF2040      | 20          | 40        | 200       | 0.55                    | 500        | 125                | ITO-220AB                    |
| SRS2040      | 20          | 40        | 200       | 0.55                    | 500        | 125                | D <sup>2</sup> -Pak (TO-263) |
| MBR2045CT    | 20          | 45        | 150       | 0.57 @ 125 $^{\circ}$ C | 100        | 150                | TO-220AB                     |
| MBR2045CT-Y  | 20          | 45        | 150       | 0.57 @ 125 $^{\circ}$ C | 100        | 150                | TO-220AB                     |
| MBR2045PT    | 20          | 45        | 150       | 0.57 @ 125 $^{\circ}$ C | 100        | 150                | TO-3P                        |
| MBRF2045     | 20          | 45        | 150       | 0.75                    | 200        | 150                | ITO-220AC                    |
| MBRF2045CT   | 20          | 45        | 150       | 0.57 @ 125 $^{\circ}$ C | 100        | 150                | ITO-220AB                    |
| MBRF2045CT-Y | 20          | 45        | 150       | 0.57 @ 125 $^{\circ}$ C | 100        | 150                | ITO-220AB                    |
| MBRS2045CT   | 20          | 45        | 150       | 0.57 @ 125 $^{\circ}$ C | 100        | 150                | D <sup>2</sup> -Pak (TO-263) |
| MBRS2045CT-Y | 20          | 45        | 150       | 0.84                    | 100        | 150                | D <sup>2</sup> -Pak (TO-263) |
| SK20H45      | 20          | 45        | 275       | 0.55                    | 500        | 175                | R-6                          |

## DIODES - SCHOTTKY

| Part Number  | $I_{F(AV)}$ | $V_{RRM}$ | $I_{FSM}$ | $V_F$                   | $I_R$      | $T_J \text{ max.}$ | Package Description          |
|--------------|-------------|-----------|-----------|-------------------------|------------|--------------------|------------------------------|
|              | (A)         | (V)       | (A)       | (V)                     | ( $\mu$ A) | ( $^{\circ}$ C)    |                              |
| TSF20U45C    | 20          | 45        | 180       | 0.50                    | 500        | 150                | ITO-220AB                    |
| TSF20L45C    | 20          | 45        | 120       | 0.47                    | 500        | 150                | ITO-220AB                    |
| TST20U45C    | 20          | 45        | 180       | 0.5                     | 500        | 150                | TO-220AB                     |
| MBR2050CT    | 20          | 50        | 150       | 0.70 @ 125 $^{\circ}$ C | 100        | 150                | TO-220AB                     |
| MBR2050CT-Y  | 20          | 50        | 150       | 0.70 @ 125 $^{\circ}$ C | 100        | 150                | TO-220AB                     |
| MBR2050PT    | 20          | 50        | 150       | 0.80                    | 100        | 150                | TO-3P                        |
| MBRF2050     | 20          | 50        | 150       | 0.82                    | 200        | 150                | ITO-220AC                    |
| MBRF2050CT   | 20          | 50        | 150       | 0.70 @ 125 $^{\circ}$ C | 100        | 150                | ITO-220AB                    |
| MBRS2050CT   | 20          | 50        | 150       | 0.80                    | 100        | 150                | D <sup>2</sup> -Pak (TO-263) |
| SR2050       | 20          | 50        | 200       | 0.70                    | 500        | 150                | TO-220AB                     |
| SR2050PT     | 20          | 50        | 200       | 0.70                    | 500        | 150                | TO-3P                        |
| SRA2050      | 20          | 50        | 300       | 0.70                    | 500        | 150                | TO-220AC                     |
| SRAS2050     | 20          | 50        | 330       | 0.70                    | 500        | 150                | D <sup>2</sup> -Pak (TO-263) |
| SRF2050      | 20          | 50        | 200       | 0.70                    | 500        | 150                | ITO-220AB                    |
| SRS2050      | 20          | 50        | 200       | 0.70                    | 500        | 150                | D <sup>2</sup> -Pak (TO-263) |
| MBR2060CT    | 20          | 60        | 150       | 0.70 @ 125 $^{\circ}$ C | 100        | 150                | TO-220AB                     |
| MBR2060CT-Y  | 20          | 60        | 150       | 0.70 @ 125 $^{\circ}$ C | 100        | 150                | TO-220AB                     |
| MBR2060PT    | 20          | 60        | 150       | 0.80                    | 100        | 150                | TO-3P                        |
| MBRF2060     | 20          | 60        | 150       | 0.82                    | 200        | 150                | ITO-220AC                    |
| MBRF2060CT   | 20          | 60        | 150       | 0.70 @ 125 $^{\circ}$ C | 100        | 150                | ITO-220AB                    |
| MBRF2060CT-Y | 20          | 60        | 150       | 0.70                    | 100        | 150                | ITO-220AB                    |
| MBRS2060CT   | 20          | 60        | 150       | 0.80                    | 100        | 150                | D <sup>2</sup> -Pak (TO-263) |
| MBRS2060CT-Y | 20          | 60        | 150       | 0.80                    | 100        | 150                | D <sup>2</sup> -Pak (TO-263) |
| SR2060       | 20          | 60        | 200       | 0.70                    | 500        | 150                | TO-220AB                     |
| SR2060PT     | 20          | 60        | 200       | 0.70                    | 500        | 150                | TO-3P                        |
| SRA2060      | 20          | 60        | 300       | 0.70                    | 500        | 150                | TO-220AC                     |
| SRAS2060     | 20          | 60        | 330       | 0.70                    | 500        | 150                | D <sup>2</sup> -Pak (TO-263) |
| SRF2060      | 20          | 60        | 200       | 0.70                    | 500        | 150                | ITO-220AB                    |
| SRS2060      | 20          | 60        | 200       | 0.70                    | 500        | 150                | D <sup>2</sup> -Pak (TO-263) |
| TSF20U60C    | 20          | 60        | 120       | 0.51                    | 500        | 150                | ITO-220AB                    |
| TSP20U60S    | 20          | 60        | 300       | 0.40                    | 500        | 150                | SMPC (TO-277A)               |
| TSN520M60    | 20          | 60        | 200       | 0.49                    | 500        | 150                | PDFN56                       |
| TSF20L60C    | 20          | 60        | 120       | 0.47                    | 500        | 150                | ITO-220AB                    |
| TST20U60C    | 20          | 60        | 120       | 0.51                    | 500        | 150                | TO-220AB                     |
| MBRF2080CT   | 20          | 80        | 150       | 0.65 @ 125 $^{\circ}$ C | 100        | 150                | ITO-220AB                    |
| TSF2080C     | 20          | 80        | 100       | 0.52                    | 600        | 150                | ITO-220AB                    |
| MBR2090CT    | 20          | 90        | 150       | 0.75 @ 125 $^{\circ}$ C | 100        | 150                | TO-220AB                     |
| MBR2090CT-Y  | 20          | 90        | 150       | 0.75 @ 125 $^{\circ}$ C | 100        | 150                | TO-220AB                     |
| MBR2090PT    | 20          | 90        | 150       | 0.85                    | 100        | 150                | TO-3P                        |
| MBRF2090     | 20          | 90        | 150       | 0.95                    | 100        | 150                | ITO-220AC                    |
| MBRF2090CT   | 20          | 90        | 150       | 0.75 @ 125 $^{\circ}$ C | 100        | 150                | ITO-220AB                    |
| MBRS2090CT   | 20          | 90        | 150       | 0.85                    | 100        | 150                | D <sup>2</sup> -Pak (TO-263) |
| SR2090       | 20          | 90        | 200       | 0.90                    | 100        | 150                | TO-220AB                     |
| SR2090PT     | 20          | 90        | 200       | 0.92                    | 100        | 150                | TO-3P                        |
| SRA2090      | 20          | 90        | 300       | 0.92                    | 100        | 150                | TO-220AC                     |
| SRAS2090     | 20          | 90        | 330       | 0.92                    | 100        | 150                | D <sup>2</sup> -Pak (TO-263) |
| SRF2090      | 20          | 90        | 200       | 0.92                    | 100        | 150                | ITO-220AB                    |



## DIODES - SCHOTTKY

| Part Number   | I <sub>F(AV)</sub> | V <sub>RRM</sub> | I <sub>FSM</sub> | V <sub>F</sub> | I <sub>R</sub> | T <sub>J max.</sub> | Package Description          |
|---------------|--------------------|------------------|------------------|----------------|----------------|---------------------|------------------------------|
|               | (A)                | (V)              | (A)              | (V)            | (μA)           | (°C)                |                              |
| SRS2090       | 20                 | 90               | 200              | 0.92           | 100            | 150                 | D <sup>2</sup> -Pak (TO-263) |
| MBR20100CT    | 20                 | 100              | 150              | 0.75 @ 125°C   | 100            | 150                 | TO-220AB                     |
| MBR20100CT-Y  | 20                 | 100              | 150              | 0.75 @ 125°C   | 100            | 150                 | TO-220AB                     |
| MBR20100PT    | 20                 | 100              | 150              | 0.85           | 100            | 150                 | TO-3P                        |
| MBR20H100CT   | 20                 | 100              | 150              | 0.85           | 5              | 175                 | TO-220AB                     |
| MBR20L100CT   | 20                 | 100              | 150              | 0.75           | 20             | 150                 | TO-220AB                     |
| MBRF20100     | 20                 | 100              | 150              | 0.95           | 100            | 150                 | ITO-220AC                    |
| MBRF20100CT   | 20                 | 100              | 150              | 0.75 @ 125°C   | 100            | 150                 | ITO-220AB                    |
| MBRF20100CT-Y | 20                 | 100              | 150              | 0.75 @ 125°C   | 100            | 150                 | ITO-220AB                    |
| MBRF20L100CT  | 20                 | 100              | 150              | 0.75           | 20             | 150                 | ITO-220AB                    |
| MBR20100CT    | 20                 | 100              | 150              | 0.85           | 100            | 150                 | I <sup>2</sup> PAK           |
| MBRS20100CT   | 20                 | 100              | 150              | 0.85           | 100            | 150                 | D <sup>2</sup> -Pak (TO-263) |
| MBRS20100CT-Y | 20                 | 100              | 150              | 0.85           | 100            | 150                 | D <sup>2</sup> -Pak (TO-263) |
| MBRS20H100CT  | 20                 | 100              | 150              | 0.85           | 5              | 175                 | D <sup>2</sup> -Pak (TO-263) |
| SR20100       | 20                 | 100              | 200              | 0.90           | 100            | 150                 | TO-220AB                     |
| SR20100PT     | 20                 | 100              | 200              | 0.92           | 100            | 150                 | TO-3P                        |
| SRA20100      | 20                 | 100              | 300              | 0.92           | 100            | 150                 | TO-220AC                     |
| SRAS20100     | 20                 | 100              | 330              | 0.92           | 100            | 150                 | D <sup>2</sup> -Pak (TO-263) |
| SRF20100      | 20                 | 100              | 200              | 0.92           | 100            | 150                 | ITO-220AB                    |
| SRS20100      | 20                 | 100              | 200              | 0.92           | 100            | 150                 | D <sup>2</sup> -Pak (TO-263) |
| TSF20H100C    | 20                 | 100              | 120              | 0.64           | 200            | 150                 | ITO-220AB                    |
| TSF20U100C    | 20                 | 100              | 150              | 0.65           | 500            | 150                 | ITO-220AB                    |
| TST20H100CW   | 20                 | 100              | 150              | 0.67           | 200            | 150                 | TO-220AB                     |
| TSD20H100CW   | 20                 | 100              | 150              | 0.57           | 200            | 150                 | D <sup>2</sup> -Pak (TO-263) |
| TST20H120CW   | 20                 | 120              | 150              | 0.81           | 200            | 150                 | TO-220AB                     |
| TST20U100C    | 20                 | 100              | 150              | 0.64           | 500            | 150                 | TO-220AB                     |
| MBR20L120CT   | 20                 | 120              | 150              | 0.83           | 20             | 150                 | TO-220AB                     |
| MBRF20L120CT  | 20                 | 120              | 150              | 0.83           | 20             | 150                 | ITO-220AB                    |
| TSF20H120C    | 20                 | 120              | 120              | 0.68           | 250            | 150                 | ITO-220AB                    |
| TSD20H120CW   | 20                 | 120              | 150              | 0.62           | 200            | 150                 | D <sup>2</sup> -Pak (TO-263) |
| MBR20150CT    | 20                 | 150              | 150              | 0.87 @ 125°C   | 100            | 150                 | TO-220AB                     |
| MBR20150CT-Y  | 20                 | 150              | 150              | 0.87 @ 125°C   | 100            | 150                 | TO-220AB                     |
| MBR20150PT    | 20                 | 150              | 150              | 0.95           | 100            | 150                 | TO-3P                        |
| MBR20H150CT   | 20                 | 150              | 150              | 0.88           | 5              | 175                 | TO-220AB                     |
| MBRF20150CT   | 20                 | 150              | 150              | 0.87 @ 125°C   | 100            | 150                 | ITO-220AB                    |
| MBRF20150CT-Y | 20                 | 150              | 150              | 0.85 @ 125°C   | 100            | 150                 | ITO-220AB                    |
| MBRF20H150CT  | 20                 | 150              | 150              | 0.88           | 5              | 175                 | ITO-220AB                    |
| MBRS20150CT   | 20                 | 150              | 150              | 0.99           | 100            | 150                 | D <sup>2</sup> -Pak (TO-263) |
| MBRS20150CT-Y | 20                 | 150              | 150              | 0.99           | 100            | 150                 | D <sup>2</sup> -Pak (TO-263) |
| MBRS20H150CT  | 20                 | 150              | 150              | 0.88           | 5              | 175                 | D <sup>2</sup> -Pak (TO-263) |
| SR20150       | 20                 | 150              | 200              | 1.00           | 100            | 150                 | TO-220AB                     |
| SR20150PT     | 20                 | 150              | 200              | 1.02           | 100            | 150                 | TO-3P                        |
| SRA20150      | 20                 | 150              | 300              | 1.02           | 100            | 150                 | TO-220AC                     |
| SRAS20150     | 20                 | 150              | 330              | 1.02           | 100            | 150                 | D <sup>2</sup> -Pak (TO-263) |
| SRF20150      | 20                 | 150              | 200              | 1.02           | 100            | 150                 | ITO-220AB                    |
| SRS20150      | 20                 | 150              | 200              | 1.02           | 100            | 150                 | D <sup>2</sup> -Pak (TO-263) |
| TSF20H150C    | 20                 | 150              | 120              | 0.81           | 150            | 150                 | ITO-220AB                    |

## DIODES - SCHOTTKY

| Part Number   | I <sub>F(AV)</sub> | V <sub>RRM</sub> | I <sub>FSM</sub> | V <sub>F</sub> | I <sub>R</sub> | T <sub>J max.</sub> | Package Description          |
|---------------|--------------------|------------------|------------------|----------------|----------------|---------------------|------------------------------|
|               | (A)                | (V)              | (A)              | (V)            | (μA)           | (°C)                |                              |
| TST20H150CW   | 20                 | 150              | 150              | 0.78           | 100            | 150                 | TO-220AB                     |
| TSD20H150CW   | 20                 | 150              | 150              | 0.72           | 100            | 150                 | D <sup>2</sup> -Pak (TO-263) |
| TSI20H150CW   | 20                 | 150              | 150              | 0.72           | 100            | 150                 | I <sup>2</sup> -Pak          |
| MBR20200CT    | 20                 | 200              | 150              | 0.87 @ 125°C   | 100            | 150                 | TO-220AB                     |
| MBR20200CT-Y  | 20                 | 200              | 150              | 0.87 @ 125°C   | 100            | 150                 | TO-220AB                     |
| MBR20200PT    | 20                 | 200              | 150              | 0.95           | 100            | 150                 | TO-3P                        |
| MBR20H200CT   | 20                 | 200              | 150              | 0.88           | 5              | 175                 | TO-220AB                     |
| MBRF20200CT   | 20                 | 200              | 150              | 0.87 @ 125°C   | 100            | 150                 | ITO-220AB                    |
| MBRF20200CT-Y | 20                 | 200              | 150              | 0.85 @ 125°C   | 100            | 150                 | ITO-220AB                    |
| MBRF20H200CT  | 20                 | 200              | 150              | 0.88           | 5              | 175                 | ITO-220AB                    |
| TSF20H200C    | 20                 | 200              | 120              | 0.83           | 100            | 150                 | ITO-220AB                    |
| MBRS20H200CT  | 20                 | 200              | 150              | 0.88           | 5              | 175                 | D <sup>2</sup> -Pak (TO-263) |
| TST20H200CW   | 20                 | 200              | 150              | 0.83           | 100            | 150                 | TO-220AB                     |
| TSD20H200CW   | 20                 | 200              | 150              | 0.77           | 100            | 150                 | D <sup>2</sup> -Pak (TO-263) |
| TSI20H200CW   | 20                 | 200              | 150              | 0.77           | 100            | 150                 | I <sup>2</sup> -Pak          |
| MBR2535CT     | 25                 | 35               | 200              | -              | 200            | 150                 | TO-220AB                     |
| MBRF2535CT    | 25                 | 35               | 200              | -              | 200            | 150                 | ITO-220AB                    |
| MBRS2535CT    | 25                 | 35               | 200              | 0.65           | 200            | 150                 | D <sup>2</sup> -Pak (TO-263) |
| MBR2545CT     | 25                 | 45               | 200              | -              | 200            | 150                 | TO-220AB                     |
| MBRF2545CT-Y  | 25                 | 45               | 200              | 0.82           | 200            | 150                 | ITO-220AB                    |
| MBRS2545CT    | 25                 | 45               | 200              | 0.65           | 200            | 150                 | D <sup>2</sup> -Pak (TO-263) |
| MBRS25H45CT   | 25                 | 45               | 150              | 0.70           | 200            | 175                 | D <sup>2</sup> -Pak (TO-263) |
| MBR2550CT     | 25                 | 50               | 200              | 0.75           | 200            | 150                 | TO-220AB                     |
| MBRF2550CT    | 25                 | 50               | 200              | 0.75           | 200            | 150                 | ITO-220AB                    |
| MBRS2550CT    | 25                 | 50               | 200              | 0.75           | 100            | 150                 | D <sup>2</sup> -Pak (TO-263) |
| MBR2560CT     | 25                 | 60               | 200              | 0.75           | 200            | 150                 | TO-220AB                     |
| MBR2560CT-Y   | 25                 | 60               | 200              | 0.75           | 200            | 150                 | TO-220AB                     |
| MBRF2560CT    | 25                 | 60               | 200              | 0.75           | 200            | 150                 | ITO-220AB                    |
| MBRF2560CT-Y  | 25                 | 60               | 200              | 0.75           | 200            | 150                 | ITO-220AB                    |
| MBRS2560CT    | 25                 | 60               | 200              | 0.75           | 100            | 150                 | D <sup>2</sup> -Pak (TO-263) |
| MBR2590CT     | 25                 | 90               | 200              | 0.85           | 100            | 150                 | TO-220AB                     |
| MBRF2590CT    | 25                 | 90               | 200              | 0.85           | 100            | 150                 | ITO-220AB                    |
| MBRS2590CT    | 25                 | 90               | 200              | 0.85           | 100            | 150                 | D <sup>2</sup> -Pak (TO-263) |
| MBR25100CT    | 25                 | 100              | 200              | 0.85           | 100            | 150                 | TO-220AB                     |
| MBR25100CT-Y  | 25                 | 100              | 200              | 0.85           | 100            | 150                 | TO-220AB                     |
| MBRF25100CT   | 25                 | 100              | 200              | 0.85           | 100            | 150                 | ITO-220AB                    |
| MBRF25100CT-Y | 25                 | 100              | 200              | 0.85           | 100            | 150                 | ITO-220AB                    |
| MBRS25100CT   | 25                 | 100              | 200              | 0.85           | 100            | 150                 | D <sup>2</sup> -Pak (TO-263) |
| MBR25150CT    | 25                 | 150              | 200              | 0.95           | 100            | 150                 | TO-220AB                     |
| MBR25150CT-Y  | 25                 | 150              | 200              | 0.95           | 100            | 150                 | TO-220AB                     |
| MBRF25150CT   | 25                 | 150              | 200              | 0.95           | 100            | 150                 | ITO-220AB                    |
| MBRF25150CT-Y | 25                 | 150              | 200              | 0.95           | 100            | 150                 | ITO-220AB                    |
| MBRS25150CT   | 25                 | 150              | 200              | 0.95           | 100            | 150                 | D <sup>2</sup> -Pak (TO-263) |
| SR3020PT      | 30                 | 20               | 300              | 0.55           | 1,000          | 150                 | TO-3P                        |
| SR3030PT      | 30                 | 30               | 300              | 0.55           | 1,000          | 150                 | TO-3P                        |
| MBR3035CT     | 30                 | 35               | 200              | 0.70           | 200            | 150                 | TO-220AB                     |
| MBR3035PT     | 30                 | 35               | 200              | 0.60 @ 125°C   | 1,000          | 150                 | TO-3P                        |

## DIODES - SCHOTTKY

| Part Number   | I <sub>F(AV)</sub> | V <sub>RRM</sub> | I <sub>FSM</sub> | V <sub>F</sub> | I <sub>R</sub> | T <sub>J max.</sub> | Package Description          |
|---------------|--------------------|------------------|------------------|----------------|----------------|---------------------|------------------------------|
|               | (A)                | (V)              | (A)              | (V)            | (μA)           | (°C)                |                              |
| MBRF3035CT    | 30                 | 35               | 200              | 0.70           | 200            | 150                 | ITO-220AB                    |
| SR3040PT      | 30                 | 40               | 300              | 0.55           | 1,000          | 150                 | TO-3P                        |
| MBR3045CT     | 30                 | 45               | 200              | 0.70           | 200            | 150                 | TO-220AB                     |
| MBR3045CT-Y   | 30                 | 45               | 200              | 0.70           | 200            | 150                 | TO-220AB                     |
| MBR3045PT     | 30                 | 45               | 200              | 0.60 @ 125°C   | 1,000          | 150                 | TO-3P                        |
| MBR30L45CT    | 30                 | 45               | 220              | 0.55           | 400            | 150                 | TO-220AB                     |
| MBRF3045CT    | 30                 | 45               | 200              | 0.70           | 200            | 150                 | ITO-220AB                    |
| MBRF3045CT-Y  | 30                 | 45               | 200              | 0.70           | 200            | 150                 | ITO-220AB                    |
| MBRF30L45CT   | 30                 | 45               | 220              | 0.55           | 400            | 150                 | ITO-220AB                    |
| MBRS3045CT    | 30                 | 45               | 220              | 0.90           | 200            | 150                 | D <sup>2</sup> -Pak (TO-263) |
| MBRS30H45CT   | 30                 | 45               | 220              | 0.70           | 200            | 175                 | D <sup>2</sup> -Pak (TO-263) |
| MBRS3045CT-Y* | 30                 | 45               | 220              | 0.90           | 200            | 150                 | D <sup>2</sup> -Pak (TO-263) |
| TSF30U45C     | 30                 | 45               | 250              | 0.45           | 500            | 150                 | ITO-220AB                    |
| TSF30L45C     | 30                 | 45               | 180              | 0.46           | 650            | 150                 | ITO-220AB                    |
| TST30L45C     | 30                 | 45               | 180              | 0.46           | 650            | 150                 | TO-220AB                     |
| MBR3050CT     | 30                 | 50               | 200              | 0.77           | 200            | 150                 | TO-220AB                     |
| MBR3050PT     | 30                 | 50               | 200              | 0.75           | 1,000          | 150                 | TO-3P                        |
| MBRF3050CT    | 30                 | 50               | 200              | 0.75           | 200            | 150                 | ITO-220AB                    |
| SR3050PT      | 30                 | 50               | 300              | 0.70           | 1,000          | 150                 | TO-3P                        |
| TSF30H60C     | 30                 | 60               | 170              | 0.55           | 500            | 150                 | ITO-220AB                    |
| MBR3060CT     | 30                 | 60               | 200              | 0.77           | 200            | 150                 | TO-220AB                     |
| MBR3060CT-Y   | 30                 | 60               | 200              | 0.77           | 200            | 150                 | TO-220AB                     |
| MBR3060PT     | 30                 | 60               | 200              | 0.75           | 1,000          | 150                 | TO-3P                        |
| MBR30L60CT    | 30                 | 60               | 220              | 0.60           | 480            | 150                 | TO-220AB                     |
| MBRF3060CT    | 30                 | 60               | 200              | 0.75           | 200            | 150                 | ITO-220AB                    |
| MBRF3060CT-Y  | 30                 | 60               | 200              | 0.75           | 200            | 150                 | ITO-220AB                    |
| SR3060PT      | 30                 | 60               | 300              | 0.70           | 1,000          | 150                 | TO-3P                        |
| TSF30U60C     | 30                 | 60               | 250              | 0.55           | 500            | 150                 | ITO-220AB                    |
| MBR3080CT-Y   | 30                 | 80               | 200              | 0.84           | 200            | 150                 | TO-220AB                     |
| MBRF3080CT    | 30                 | 80               | 200              | 0.84           | 200            | 150                 | ITO-220AB                    |
| MBRF3080CT-Y  | 30                 | 80               | 200              | 0.84           | 200            | 150                 | ITO-220AB                    |
| MBR3090CT     | 30                 | 90               | 200              | 0.84           | 200            | 150                 | TO-220AB                     |
| MBR3090PT     | 30                 | 90               | 200              | 0.85           | 500            | 150                 | TO-3P                        |
| MBRF3090CT    | 30                 | 90               | 200              | 0.84           | 200            | 150                 | ITO-220AB                    |
| SR3090PT      | 30                 | 90               | 300              | 0.90           | 500            | 150                 | TO-3P                        |
| MBR30100CT    | 30                 | 100              | 200              | 0.84           | 200            | 150                 | TO-220AB                     |
| MBR30100CT-Y  | 30                 | 100              | 200              | 0.84           | 200            | 150                 | TO-220AB                     |
| MBR30100PT    | 30                 | 100              | 200              | 0.85           | 500            | 150                 | TO-3P                        |
| MBR30H100CT   | 30                 | 100              | 150              | 0.85           | 10             | 175                 | TO-220AB                     |
| MBR30L100CT   | 30                 | 100              | 220              | 0.77           | 500            | 150                 | TO-220AB                     |
| MBR F30100CT  | 30                 | 100              | 200              | 0.84           | 200            | 150                 | ITO-220AB                    |
| MBRF30100CT-Y | 30                 | 100              | 200              | 0.84           | 200            | 150                 | ITO-220AB                    |
| MBRI30100CT   | 30                 | 100              | 200              | 0.84           | 200            | 150                 | I <sup>2</sup> PAK           |
| SR30100PT     | 30                 | 100              | 300              | 0.90           | 500            | 150                 | TO-3P                        |
| TSF30H100C    | 30                 | 100              | 150              | 0.76           | 150            | 150                 | ITO-220AB                    |
| TSF30U100C    | 30                 | 100              | 160              | 0.66           | 500            | 150                 | ITO-220AB                    |
| TST30U100C*   | 30                 | 100              | 160              | 0.66           | 500            | 150                 | TO-220AB                     |

Note. \* - Q4/2014

## DIODES - SCHOTTKY

| Part Number   | I <sub>F(AV)</sub> | V <sub>RRM</sub> | I <sub>FSM</sub> | V <sub>F</sub> | I <sub>R</sub> | T <sub>J max.</sub> | Package Description          |
|---------------|--------------------|------------------|------------------|----------------|----------------|---------------------|------------------------------|
|               | (A)                | (V)              | (A)              | (V)            | (μA)           | (°C)                |                              |
| TST30L100CW   | 30                 | 100              | 200              | 0.76           | 200            | 150                 | TO-220AB                     |
| TST30H100CW   | 30                 | 100              | 200              | 0.69           | 250            | 150                 | TO-220AB                     |
| MBR30L120CT   | 30                 | 120              | 200              | 0.88           | 20             | 150                 | TO-220AB                     |
| MBRF30L120CT  | 30                 | 120              | 200              | 0.88           | 20             | 150                 | ITO-220AB                    |
| TSF30H120C    | 30                 | 120              | 150              | 0.80           | 150            | 150                 | ITO-220AB                    |
| TST30H120CW   | 30                 | 120              | 200              | 0.75           | 250            | 150                 | TO-220AB                     |
| TSF30U120C    | 30                 | 120              | 160              | 0.78           | 500            | 150                 | ITO-220AB                    |
| TST30L120CW   | 30                 | 120              | 200              | 0.80           | 200            | 150                 | TO-220AB                     |
| MBR30150CT    | 30                 | 150              | 200              | 0.95           | 100            | 150                 | TO-220AB                     |
| MBR30150CT-Y  | 30                 | 150              | 200              | 0.95           | 100            | 150                 | TO-220AB                     |
| MBR30150PT    | 30                 | 150              | 200              | 0.95           | 500            | 150                 | TO-3P                        |
| MBRF30150CT   | 30                 | 150              | 200              | 0.95           | 200            | 150                 | ITO-220AB                    |
| MBRF30150CT-Y | 30                 | 150              | 200              | 0.95           | 200            | 150                 | ITO-220AB                    |
| TST30L150CW   | 30                 | 150              | 200              | 0.84           | 100            | 150                 | TO-200AB                     |
| SR30150PT     | 30                 | 150              | 300              | 0.90           | 500            | 150                 | TO-3P                        |
| TST30H150CW   | 30                 | 150              | 200              | 0.81           | 150            | 150                 | I <sup>2</sup> -Pak          |
| TSF30H150C    | 30                 | 150              | 150              | 0.81           | 150            | 150                 | ITO-220AB                    |
| TST30H150CW   | 30                 | 150              | 150              | 0.91           | 150            | 150                 | TO-220AB                     |
| MBR30200PT    | 30                 | 200              | 200              | 1.05           | 100            | 150                 | TO-3P                        |
| MBRF30200CT   | 30                 | 200              | 200              | 0.95           | 200            | 150                 | ITO-220AB                    |
| TSF30H200C    | 30                 | 200              | 150              | 0.84           | 150            | 150                 | ITO-220AB                    |
| MBRF30200CT-Y | 30                 | 200              | 200              | 0.95           | 500            | 150                 | ITO-200AB                    |
| TST30L200CW   | 30                 | 200              | 200              | 0.86           | 100            | 150                 | TO-220AB                     |
| TST30H200CW   | 30                 | 200              | 200              | 0.84           | 150            | 150                 | I <sup>2</sup> -Pak          |
| TST30H200CW   | 30                 | 200              | 200              | 0.93           | 150            | 150                 | TO-220AB                     |
| SR4020PT      | 40                 | 20               | 400              | 0.55           | 1,000          | 125                 | TO-3P                        |
| SR4030PT      | 40                 | 30               | 400              | 0.55           | 1,000          | 125                 | TO-3P                        |
| MBR4035PT     | 40                 | 35               | 330              | 0.75           | 1,000          | 150                 | TO-3P                        |
| SR4040PT      | 40                 | 40               | 400              | 0.55           | 1,000          | 125                 | TO-3P                        |
| MBR4045PT     | 40                 | 45               | 330              | 0.75           | 1,000          | 150                 | TO-3P                        |
| MBR4050PT     | 40                 | 50               | 330              | 0.77           | 1,000          | 150                 | TO-3P                        |
| SR4050PT      | 40                 | 50               | 400              | 0.70           | 1,000          | 150                 | TO-3P                        |
| MBR4060PT     | 40                 | 60               | 330              | 0.77           | 1,000          | 150                 | TO-3P                        |
| MBRS4060CT    | 40                 | 60               | 300              | 0.80           | 100            | 175                 | D <sup>2</sup> -Pak (TO-263) |
| SR4060PT      | 40                 | 60               | 400              | 0.70           | 1,000          | 150                 | TO-3P                        |
| MBR4090PT     | 40                 | 90               | 330              | 0.84           | 500            | 150                 | TO-3P                        |
| SR4090PT      | 40                 | 90               | 400              | 0.90           | 500            | 150                 | TO-3P                        |
| TSF40L100C    | 40                 | 100              | 200              | 0.60           | 250            | 150                 | ITO-200AB                    |
| TST40L100CW   | 40                 | 100              | 220              | 0.62           | 200            | 150                 | TO-220AB                     |
| MBR40100PT    | 40                 | 100              | 330              | 0.84           | 500            | 150                 | TO-3P                        |
| SR40100PT     | 40                 | 100              | 400              | 0.90           | 500            | 150                 | TO-3P                        |
| TSF40L120C    | 40                 | 120              | 200              | 0.67           | 250            | 150                 | ITO-220AB                    |
| TST30L120CW   | 40                 | 120              | 220              | 0.68           | 200            | 150                 | TO-220AB                     |
| TSF40L150C    | 40                 | 150              | 200              | 0.77           | 100            | 150                 | ITO-220AB                    |
| TST30L150CW   | 40                 | 150              | 220              | 0.77           | 100            | 150                 | TO-220AB                     |
| MBR40150PT    | 40                 | 150              | 330              | 0.90           | 100            | 150                 | TO-3P                        |
| TSF40L200C    | 40                 | 200              | 200              | 0.80           | 100            | 150                 | ITO-220AB                    |

## DIODES - SCHOTTKY

## DIODES - SWITCHING - SMALL SIGNAL

| Part Number  | $I_{F(AV)}$ | $V_{RRM}$ | $I_{FSM}$ | $V_F$ | $I_R$      | $T_j \text{ max.}$ | Package Description |
|--------------|-------------|-----------|-----------|-------|------------|--------------------|---------------------|
|              | (A)         | (V)       | (A)       | (V)   | ( $\mu$ A) | ( $^{\circ}$ C)    |                     |
| TST30L200CW* | 40          | 200       | 220       | 0.80  | 100        | 150                | TO-220AB            |
| MBR40200PT   | 40          | 200       | 330       | 0.90  | 100        | 150                | TO-3P               |
| MBR6035PT    | 60          | 35        | 420       | 0.70  | 1,000      | 150                | TO-3P               |
| MBR6045PT    | 60          | 45        | 420       | 0.70  | 1,000      | 150                | TO-3P               |
| MBR6050PT    | 60          | 50        | 420       | 0.75  | 1,000      | 150                | TO-3P               |
| MBR6060PT    | 60          | 60        | 420       | 0.75  | 1,000      | 150                | TO-3P               |
| MBR6090PT    | 60          | 90        | 420       | 0.84  | 1,000      | 150                | TO-3P               |
| MBR60100PT   | 60          | 100       | 420       | 0.84  | 1,000      | 150                | TO-3P               |

( $T_A=25^{\circ}$ C unless otherwise noted)

| Part Number | $V_{RM}$ | $V_R$ | $P_D$ | $I_{F(AV)}$ | $I_{FSM}$ | Pulse Width | $V_F @ I_F$ |      | $I_R @ V_R$ |     | $C_j \text{ (Typ.) } @ V_R @ f$ |     |     | $T_j \text{ max.}$ | Package Description |
|-------------|----------|-------|-------|-------------|-----------|-------------|-------------|------|-------------|-----|---------------------------------|-----|-----|--------------------|---------------------|
|             | (V)      | (V)   | (mW)  | (mA)        | (A)       | (ms)        | (V)         | (mA) | ( $\mu$ A)  | (V) | (pF)                            | (V) | MHz | ( $^{\circ}$ C)    |                     |
| BAW56       | 70       | 70    | 225   | 200         | 2         | 0.001       | 1.00        | 50   | 2.500       | 70  | 2                               | 0   | 1   | 150                | SOT-23              |
| BAV70       | 70       | 70    | 225   | 200         | 2         | 0.001       | 1.00        | 50   | 2.500       | 70  | 2                               | 0   | 1   | 150                | SOT-23              |
| BAV99       | 70       | 70    | 225   | 200         | 2         | 0.001       | 1.00        | 50   | 2.500       | 70  | 2                               | 0   | 1   | 150                | SOT-23              |
| BAS16       | 75       | 75    | 225   | 150         | 2         | 1           | 0.72        | 1    | 1.000       | 75  | 2                               | 0   | 1   | 150                | SOT-23              |
| BAS116      | 75       | 75    | 225   | 200         | 0.5       |             | 0.90        | 1    | 0.005       | 75  | 2                               | 0   | 1   | 150                | SOT-23              |
| TS4148 RWG  | 75       | 75    | 350   | 150         | 4         | 0.001       | 1.00        | 50   | 0.025       | 20  | 4                               | 0   | 1   | 125                | 1005                |
| TS4148C RZG | 75       | 75    | 200   | 100         | 0.8       | 8.3         | 1.00        | 10   | 0.025       | 20  | 4                               | 0   | 1   | 150                | 0603 (ceramic)      |
| TS4148 RYG  | 75       | 75    | 500   | 150         | 2         | 8.3         | 1.00        | 100  | 0.025       | 20  | 4                               | 0   | 1   | 150                | 0805 (ceramic)      |
| TS4148 RXG  | 75       | 75    | 500   | 150         | 2         | 8.3         | 1.00        | 100  | 0.025       | 20  | 4                               | 0   | 1   | 150                | 1206 (ceramic)      |
| TS4148 RAG  | 75       | 75    | 350   | 150         | 4         | 0.001       | 1.00        | 50   | 0.025       | 20  | 4                               | 0   | 1   | 125                | 0603 (ceramic)      |
| TS4148 RBG  | 75       | 75    | 500   | 150         | 2         | 8.3         | 1.00        | 100  | 0.025       | 20  | 4                               | 0   | 1   | 150                | 0805 (ceramic)      |
| TS4148 RCG  | 75       | 75    | 500   | 150         | 2         | 8.3         | 1.00        | 100  | 0.025       | 20  | 4                               | 0   | 1   | 150                | 1206 (ceramic)      |
| MBD4448HAQW | 80       | 57    | 200   | 250         | 4         | 0.001       | 0.72        | 5    | 0.025       | 20  | 4                               | 6   | 1   | 150                | SOT-363             |
| MBD4448HADW | 80       | 57    | 200   | 250         | 4         | 0.001       | 0.72        | 5    | 0.025       | 20  | 4                               | 6   | 1   | 150                | SOT-363             |
| MBD4448HCDW | 80       | 57    | 200   | 250         | 4         | 0.001       | 0.72        | 5    | 0.025       | 20  | 4                               | 6   | 1   | 150                | SOT-363             |
| MBD4448HSDW | 80       | 57    | 200   | 250         | 4         | 0.001       | 0.72        | 5    | 0.025       | 20  | 4                               | 6   | 1   | 150                | SOT-363             |
| MBD4448HTW  | 80       | 57    | 200   | 250         | 4         | 0.001       | 0.72        | 5    | 0.025       | 20  | 4                               | 6   | 1   | 150                | SOT-363             |
| BAV99W      | 85       | 75    | 200   | 150         | 4         | 0.001       | 0.72        | 1    | 0.030       | 25  | 2                               | 0   | 1   | 150                | SOT-323             |
| BAV99S      | 85       | 85    | 200   | 150         | 4.5       | 0.001       | 0.72        | 1    | 1.000       | 75  | 2                               | 0   | 1   | 150                | SOT-363             |
| 1SS355      | 90       | 90    | 200   | 150         | 0.5       | -           | 1.20        | 100  | 0.100       | 80  | 4                               | 1   | 1   | 150                | SOD-323F            |
| 1SS133M     | 90       | 90    | 300   | 150         | 2         | -           | 1.20        | 100  | 0.500       | 80  | 4                               | 0   | 1   | 200                | DO-34               |
| 1SS400CS    | 90       | 80    | -     | 100         | 0.225     | -           | 1.20        | 100  | 0.100       | 80  | 3                               | 1   | 1   | 150                | SOD-923F            |
| TS4448 RZ   | 100      | 100   | 150   | 125         | 2         | 8.3         | 0.72        | 5    | 0.025       | 20  | 9                               | 1   | 1   | 125                | 0603                |
| TS4448 RW   | 100      | 100   | 200   | 125         | 2         | 8.3         | 0.72        | 5    | 0.025       | 20  | 9                               | 0   | 1   | 125                | 1005                |
| 1N4148WS-G  | 100      | 75    | 200   | 150         | 2         | 0.001       | 1.00        | 50   | 0.025       | 20  | 2                               | 0   | 1   | 150                | SOD-323             |
| 1N4148WS    | 100      | 75    | 200   | 150         | -         | -           | 1.00        | 10   | 0.025       | 20  | 4                               | 0   | 1   | 150                | SOD-323F            |
| 1N4448WS    | 100      | 75    | 200   | 150         | -         | -           | 0.72        | 5    | 0.025       | 20  | 4                               | 0   | 1   | 150                | SOD-323F            |
| 1N914BWS    | 100      | 75    | 200   | 150         | -         | -           | 0.72        | 5    | 0.025       | 20  | 4                               | 0   | 1   | 150                | SOD-323F            |
| 1SS400      | 100      | 100   | 200   | 200         | 0.5       | -           | 1.20        | 100  | 0.100       | 80  | 4                               | 1   | 1   | 150                | SOD-523F            |
| BAS19       | 100      | 100   | 250   | 200         | -         | -           | 1.00        | 100  | 0.100       | 100 | 5                               | 0   | 1   | 150                | SOT-23              |
| 1N4148W-G   | 100      | 100   | 350   | 150         | 2         | 1           | 0.72        | 1    | 0.025       | 20  | 2                               | 0   | 1   | 150                | SOD-123             |
| MMBD4148    | 100      | 75    | 350   | 200         | 2         | 0.001       | 1.00        | 10   | 0.025       | 20  | 4                               | 0   | 1   | 150                | SOT-23              |
| MMBD4148CA  | 100      | 75    | 350   | 200         | 2         | 0.001       | 1.00        | 10   | 0.025       | 20  | 4                               | 0   | 1   | 150                | SOT-23              |
| MMBD4148CC  | 100      | 75    | 350   | 200         | 2         | 0.001       | 1.00        | 10   | 0.025       | 20  | 4                               | 0   | 1   | 150                | SOT-23              |
| MMBD4148SE  | 100      | 75    | 350   | 200         | 2         | 0.001       | 1.00        | 10   | 0.025       | 20  | 4                               | 0   | 1   | 150                | SOT-23              |
| 1N4148W     | 100      | 75    | 400   | 150         | -         | -           | 1.00        | 10   | 0.025       | 20  | 4                               | 0   | 1   | 150                | SOD-123F            |
| 1N4448W     | 100      | 75    | 400   | 150         | -         | -           | 0.72        | 5    | 0.025       | 20  | 4                               | 0   | 1   | 150                | SOD-123F            |
| 1N914BW     | 100      | 75    | 400   | 150         | -         | -           | 0.72        | 5    | 0.025       | 20  | 4                               | 0   | 1   | 150                | SOD-123F            |
| LL4148      | 100      | 75    | 500   | 150         | 2         | 8.3         | 1.00        | 50   | 0.025       | 20  | 4                               | 0   | 1   | 175                | MMELF               |
| LL4448      | 100      | 75    | 500   | 150         | 2         | 8.3         | 0.72        | 5    | 0.025       | 20  | 4                               | 0   | 1   | 175                | MMELF               |
| LL914B      | 100      | 75    | 500   | 150         | 2         | 8.3         | 0.72        | 5    | 0.025       | 20  | 4                               | 0   | 1   | 175                | MMELF               |
| LS4148      | 100      | 75    | 500   | 150         | 2         | -           | 1.00        | 10   | 0.025       | 20  | 4                               | 0   | 1   | 175                | QMMELF              |
| LS4448      | 100      | 75    | 500   | 150         | 2         | -           | 0.72        | 5    | 0.025       | 20  | 4                               | 0   | 1   | 175                | QMMELF              |
| LS914B      | 100      | 75    | 500   | 150         | 2         | -           | 0.72        | 5    | 0.025       | 20  | 4                               | 0   | 1   | 175                | QMMELF              |
| LL4148L     | 100      | 75    | 500   | 200         | 0.45      | -           | 1.00        | 10   | 0.025       | 20  | 4                               | 0   | 1   | 200                | SOD80C              |
| 1N4148      | 100      | 100   | 500   | 150         | 2         | 0.001       | 1.00        | 10   | 0.025       | 20  | 4                               | 0   | 1   | 150                | DO-35               |

## DIODES - SWITCHING - SMALL SIGNAL

## DIODES - TVS

| Part Number | V <sub>RM</sub> | V <sub>R</sub> | P <sub>D</sub> | I <sub>F(AV)</sub> | I <sub>FSM</sub> | Pulse Width | V <sub>F</sub> @ I <sub>F</sub> |      | I <sub>R</sub> @ V <sub>R</sub> |     | C <sub>j</sub> (Typ.) @ V <sub>R</sub> @ f |     | T <sub>J</sub> max. | Package Description |          |
|-------------|-----------------|----------------|----------------|--------------------|------------------|-------------|---------------------------------|------|---------------------------------|-----|--|-----|---------------------|---------------------|----------|
|             | (V)             | (V)            | (mW)           | (mA)               | (A)              | (ms)        | (V)                             | (mA) | (μA)                            | (V) | (pF)                                       | (V) | MHz                 | (°C)                |          |
| 1N4448      | 100             | 100            | 500            | 150                | 2                | 0.001       | 0.72                            | 5    | 0.025                           | 20  | 4  | 0   | 1                   | 150                 | DO-35    |
| 1N914B      | 100             | 100            | 500            | 150                | 2                | 0.001       | 0.72                            | 5    | 0.025                           | 20  | 4  | 0   | 1                   | 150                 | DO-35    |
| BAS19W      | 100             | 100            | 200            | 200                | -                | -           | 1.25                            | 100  | 0.100                           | 100 | 5  | 0   | 1                   | 150                 | SOT-323  |
| BAV19W-G    | 120             | 100            | 500            | 200                | 2.5              | 1           | 1.00                            | 100  | 0.100                           | 100 | 5  | 0   | 1                   | 150                 | SOD-123  |
| BAS20       | 150             | 150            | 250            | 200                | -                | -           | 1.00                            | 100  | 0.100                           | 150 | 5  | 0   | 1                   | 150                 | SOT-23   |
| BAS20W      | 150             | 150            | 200            | 200                | -                | -           | 1.25                            | 100  | 0.100                           | 150 | 5  | 0   | 1                   | 150                 | SOT-323  |
| BAV20W-G    | 200             | 150            | 500            | 200                | 2.5              | 1           | 1.00                            | 100  | 0.100                           | 150 | 5  | 0   | 1                   | 150                 | SOD-123  |
| BAV19WS     | 250             | 250            | 200            | -                  | 2.5              | 0.001       | 1.00                            | 100  | 0.100                           | 100 | 5  | 0   | 1                   | 150                 | SOD-323F |
| BAV20WS     | 250             | 250            | 200            | -                  | 2.5              | 0.001       | 1.00                            | 100  | 0.100                           | 150 | 5  | 0   | 1                   | 150                 | SOD-323F |
| BAV21WS     | 250             | 250            | 200            | -                  | 2.5              | 0.001       | 1.00                            | 100  | 0.100                           | 200 | 5  | 0   | 1                   | 150                 | SOD-323F |
| BAS21       | 250             | 250            | 225            | 200                | 1                | 8.3         | 1.00                            | 100  | 0.100                           | 200 | 5  | 1   | 1                   | 150                 | SOT-23   |
| BAS21A      | 250             | 250            | 225            | 200                | 1                | 8.3         | 1.00                            | 100  | 0.100                           | 200 | 5  | 1   | 1                   | 150                 | SOT-23   |
| BAS21C      | 250             | 250            | 225            | 200                | 1                | 8.3         | 1.00                            | 100  | 0.100                           | 200 | 5  | 1   | 1                   | 150                 | SOT-23   |
| BAS21S      | 250             | 250            | 225            | 200                | 1                | 8.3         | 1.00                            | 100  | 0.100                           | 200 | 5  | 1   | 1                   | 150                 | SOT-23   |
| BAV19W      | 250             | 250            | 410            | 200                | 4                | 0.001       | 1.00                            | 100  | 0.100                           | 100 | 5  | 0   | 1                   | 150                 | SOD-123F |
| BAV20W      | 250             | 200            | 410            | 200                | 1                | 0.001       | 1.00                            | 100  | 0.100                           | 150 | 5  | 0   | 1                   | 150                 | SOD-123F |
| BAV21W      | 250             | 250            | 410            | 200                | 1                | 0.001       | 1.00                            | 100  | 0.100                           | 200 | 5  | 0   | 1                   | 150                 | SOD-123F |
| BAV21W-G    | 250             | 250            | 500            | 200                | 2.5              | 1           | 1.00                            | 100  | 0.100                           | 200 | 5  | 0   | 1                   | 150                 | SOD-123  |
| BAV100      | 250             | 250            | 500            | 200                | 4                | 0.001       | 1.00                            | 100  | 0.100                           | 50  | 5  | 0   | 1                   | 200                 | MMELF    |
| BAV101      | 250             | 250            | 500            | 200                | 4                | 0.001       | 1.00                            | 100  | 0.100                           | 100 | 5  | 0   | 1                   | 200                 | MMELF    |
| BAV102      | 250             | 250            | 500            | 200                | 4                | 0.001       | 1.00                            | 100  | 0.100                           | 150 | 5  | 0   | 1                   | 200                 | MMELF    |
| BAV103      | 250             | 250            | 500            | 200                | 4                | 0.001       | 1.00                            | 100  | 0.100                           | 200 | 5  | 0   | 1                   | 200                 | MMELF    |
| BAS21W      | 250             | 250            | 200            | 200                | -                | -           | 1.25                            | 100  | 0.100                           | 250 | 5  | 0   | 1                   | 150                 | SOT-323  |
| MMBD3004    | 350             | 350            | 350            | 225                | 4                | 0.001       | 1.00                            | 100  | 0.100                           | 240 | 5  | 1   | 1                   | 150                 | SOT-23   |
| MMBD3004CA  | 350             | 350            | 350            | 225                | 4                | 0.001       | 1.00                            | 100  | 0.100                           | 240 | 5  | 1   | 1                   | 150                 | SOT-23   |
| MMBD3004CC  | 350             | 350            | 350            | 225                | 4                | 0.001       | 1.00                            | 100  | 0.100                           | 240 | 5  | 1   | 1                   | 150                 | SOT-23   |
| MMBD3004SE  | 350             | 350            | 350            | 225                | 4                | 0.001       | 1.00                            | 100  | 0.100                           | 240 | 5  | 1   | 1                   | 150                 | SOT-23   |
| BAS316WS    | -               | 100            | 200            | 250                | 4                | 0.001       | 0.72                            | 1    | 0.030                           | 25  | 2  | 0   | 1                   | 150                 | SOD-323F |
| BAS316      | -               | 100            | 200            | 250                | 4                | 0.001       | 0.86                            | 10   | 0.030                           | 25  | 2  | 0   | 1                   | 150                 | SOD-323  |
| BAV19       | -               | 120            | 500            | 200                | 4                | 0.001       | 1.00                            | 100  | 0.100                           | 100 | 5  | 0   | 1                   | 200                 | DO-35    |
| BAV20       | -               | 200            | 500            | 200                | 4                | 0.001       | 1.00                            | 100  | 0.100                           | 150 | 5  | 0   | 1                   | 200                 | DO-35    |
| BAV21       | -               | 250            | 500            | 200                | 4                | 0.001       | 1.00                            | 100  | 0.100                           | 200 | 5  | 0   | 1                   | 200                 | DO-35    |

(T<sub>A</sub>=25°C unless otherwise noted)

| Part Number | Family         | P <sub>PK</sub> | Tolerance | V <sub>BR</sub> | V <sub>BR</sub> | V <sub>BR</sub> | V <sub>WM</sub> | V <sub>clamp</sub> | I <sub>R</sub> | I <sub>PP</sub> | T <sub>J</sub> max. | Package Description |
|-------------|----------------|-----------------|-----------|-----------------|-----------------|-----------------|-----------------|--------------------|----------------|-----------------|---------------------|---------------------|
|             |                | (W)             | +/- (%)   | (Nom.) (V)      | (Min.) (V)      | (Max.) (V)      | (V)             | (V)                | (μA)           | (A)             | (°C)                |                     |
| P4KE6.8C    | Bidirectional  | 400             | 10        | 6.8             | 6.12            | 7.48            | 5.5             | 10.8               | 1,000          | 38              | 175                 | DO-41               |
| P4SMA6.8C   | Bidirectional  | 400             | 10        | 6.8             | 6.12            | 7.48            | 5.5             | 10.8               | 1000           | 38              | 150                 | SMA (DO-214AC)      |
| P4KE6.8     | Unidirectional | 400             | 10        | 6.8             | 6.12            | 7.48            | 5.5             | 10.8               | 1,000          | 38              | 175                 | DO-41               |
| P4SMA6.8    | Unidirectional | 400             | 10        | 6.8             | 6.12            | 7.48            | 5.5             | 10.8               | 1000           | 38              | 150                 | SMA (DO-214AC)      |
| SMAJ5.0C    | Bidirectional  | 400             | -         | -               | 6.4             | 7.3             | 5               | 9.6                | 10             | 41.7            | 150                 | SMA (DO-214AC)      |
| SMAJ5.0CA   | Bidirectional  | 400             | -         | -               | 6.4             | 7               | 5               | 9.2                | 10             | 43.5            | 150                 | SMA (DO-214AC)      |
| SMAJ5.0     | Unidirectional | 400             | -         | -               | 6.4             | 7.3             | 5               | 9.6                | 10             | 41.7            | 150                 | SMA (DO-214AC)      |
| SMAJ5.0A    | Unidirectional | 400             | -         | -               | 6.4             | 7               | 5               | 9.2                | 10             | 43.5            | 150                 | SMA (DO-214AC)      |
| BZW04-5V8B  | Bidirectional  | 400             | -         | -               | 6.45            | 7.14            | 5.8             | 10.5               | 1,000          | 38              | 175                 | DO-41               |
| BZW04-5V8   | Unidirectional | 400             | -         | -               | 6.45            | 7.14            | 5.8             | 10.5               | 1,000          | 38              | 175                 | DO-41               |
| P4KE6.8CA   | Bidirectional  | 400             | 5         | 6.8             | 6.46            | 7.14            | 5.8             | 10.5               | 1,000          | 40              | 175                 | DO-41               |
| P4SMA6.8CA  | Bidirectional  | 400             | 5         | 6.8             | 6.46            | 7.14            | 5.8             | 10.5               | 1000           | 40              | 150                 | SMA (DO-214AC)      |
| P4KE6.8A    | Unidirectional | 400             | 5         | 6.8             | 6.46            | 7.14            | 5.8             | 10.5               | 1,000          | 40              | 175                 | DO-41               |
| P4SMA6.8A   | Unidirectional | 400             | 5         | 6.8             | 6.46            | 7.14            | 5.8             | 10.5               | 1000           | 40              | 150                 | SMA (DO-214AC)      |
| SMAJ6.0C    | Bidirectional  | 400             | -         | -               | 6.67            | 8.15            | 6               | 11.4               | 10             | 35.1            | 150                 | SMA (DO-214AC)      |
| SMAJ6.0CA   | Bidirectional  | 400             | -         | -               | 6.67            | 7.37            | 6               | 10.3               | 10             | 38.8            | 150                 | SMA (DO-214AC)      |
| SMAJ6.0     | Unidirectional | 400             | -         | -               | 6.67            | 8.15            | 6               | 11.4               | 10             | 35.1            | 150                 | SMA (DO-214AC)      |
| SMAJ6.0A    | Unidirectional | 400             | -         | -               | 6.67            | 7.37            | 6               | 10.3               | 10             | 38.8            | 150                 | SMA (DO-214AC)      |
| P4KE7.5C    | Bidirectional  | 400             | 10        | 7.5             | 6.75            | 8.25            | 6.05            | 11.7               | 500            | 35              | 175                 | DO-41               |
| P4SMA7.5C   | Bidirectional  | 400             | 10        | 7.5             | 6.75            | 8.25            | 6.05            | 11.7               | 500            | 35              | 150                 | SMA (DO-214AC)      |
| P4KE7.5     | Unidirectional | 400             | 10        | 7.5             | 6.75            | 8.25            | 6.05            | 11.7               | 500            | 35              | 175                 | DO-41               |
| P4SMA7.5    | Unidirectional | 400             | 10        | 7.5             | 6.75            | 8.25            | 6.05            | 11.7               | 500            | 35              | 150                 | SMA (DO-214AC)      |
| P4SMA7.5CA  | Bidirectional  | 400             | 5         | 7.5             | 7.125           | 7.875           | 6.4             | 11.3               | 500            | 37              | 150                 | SMA (DO-214AC)      |
| P4SMA7.5A   | Unidirectional | 400             | 5         | 7.5             | 7.125           | 7.875           | 6.4             | 11.3               | 500            | 37              | 150                 | SMA (DO-214AC)      |
| BZW04-6V4B  | Bidirectional  | 400             | -         | -               | 7.13            | 7.88            | 6.4             | 11.3               | 500            | 35.4            | 175                 | DO-41               |
| P4KE7.5CA   | Bidirectional  | 400             | 5         | 7.5             | 7.13            | 7.88            | 6.4             | 11.3               | 500            | 37              | 175                 | DO-41               |
| BZW04-6V4   | Unidirectional | 400             | -         | -               | 7.13            | 7.88            | 6.4             | 11.3               | 500            | 35.4            | 175                 | DO-41               |
| P4KE7.5A    | Unidirectional | 400             | 5         | 7.5             | 7.13            | 7.88            | 6.4             | 11.3               | 500            | 37              | 175                 | DO-41               |
| SMAJ6.5C    | Bidirectional  | 400             | -         | -               | 7.22            | 8.82            | 6.5             | 12.3               | 10             | 32.5            | 150                 | SMA (DO-214AC)      |
| SMAJ6.5CA   | Bidirectional  | 400             | -         | -               | 7.22            | 7.98            | 6.5             | 11.2               | 10             | 35.7            | 150                 | SMA (DO-214AC)      |
| SMAJ6.5     | Unidirectional | 400             | -         | -               | 7.22            | 8.82            | 6.5             | 12.3               | 10             | 32.5            | 150                 | SMA (DO-214AC)      |
| SMAJ6.5A    | Unidirectional | 400             | -         | -               | 7.22            | 7.98            | 6.5             | 11.2               | 10             | 35.7            | 150                 | SMA (DO-214AC)      |
| P4KE8.2C    | Bidirectional  | 400             | 10        | 8.2             | 7.38            | 9.02            | 6.63            | 12.5               | 200            | 33              | 175                 | DO-41               |
| P4SMA8.2C   | Bidirectional  | 400             | 10        | 8.2             | 7.38            | 9.02            | 6.63            | 12.5               | 200            | 33              | 150                 | SMA (DO-214AC)      |
| P4KE8.2     | Unidirectional | 400             | 10        | 8.2             | 7.38            | 9.02            | 6.63            | 12.5               | 200            | 33              | 175                 | DO-41               |
| P4SMA8.2    | Unidirectional | 400             | 10        | 8.2             | 7.38            | 9.02            | 6.63            | 12.5               | 200            | 33              | 150                 | SMA (DO-214AC)      |
| SMAJ7.0C    | Bidirectional  | 400             | -         | -               | 7.78            | 9.51            | 7               | 13.3               | 10             | 30.1            | 150                 | SMA (DO-214AC)      |
| SMAJ7.0CA   | Bidirectional  | 400             | -         | -               | 7.78            | 8.6             | 7               | 12                 | 10             | 33.3            | 150                 | SMA (DO-214AC)      |
| SMAJ7.0     | Unidirectional | 400             | -         | -               | 7.78            | 9.51            | 7               | 13.3               | 10             | 30.1            | 150                 | SMA (DO-214AC)      |
| SMAJ7.0A    | Unidirectional | 400             | -         | -               | 7.78            | 8.6             | 7               | 12                 | 10             | 33.3            | 150                 | SMA (DO-214AC)      |
| BZW04-7V0B  | Bidirectional  | 400             | -         | -               | 7.79            | 8.61            | 7.02            | 12.1               | 200            | 33              | 175                 | DO-41               |
| P4KE8.2CA   | Bidirectional  | 400             | 5         | 8.2             | 7.79            | 8.61            | 7.02            | 12.1               | 200            | 34              | 175                 | DO-41               |
| P4SMA8.2CA  | Bidirectional  | 400             | 5         | 8.2             | 7.79            | 8.61            | 7.02            | 12.1               | 200            | 34              | 150                 | SMA (DO-214AC)      |
| BZW04-7V0   | Unidirectional | 400             | -         | -               | 7.79            | 8.61            | 7.02            | 12.1               | 200            | 33              | 175                 | DO-41               |
| P4KE8.2A    | Unidirectional | 400             | 5         | 8.2             | 7.79            | 8.61            | 7.02            | 12.1               | 200            | 34              | 175                 | DO-41               |



## DIODES - TVS

## DIODES - TVS

| Part Number | Family         | P <sub>PK</sub> | Tolerance | V <sub>BR</sub><br>(Nom.) | V <sub>BR</sub><br>(Min.) | V <sub>BR</sub><br>(Max.) | V <sub>WM</sub> | V <sub>clamp</sub> | I <sub>R</sub> | I <sub>PP</sub> | T <sub>J</sub> max. | Package Description |
|-------------|----------------|-----------------|-----------|---------------------------|---------------------------|---------------------------|-----------------|--------------------|----------------|-----------------|---------------------|---------------------|
|             |                | (W)             | +/- (%)   | (V)                       | (V)                       | (V)                       | (V)             | (V)                | (μA)           | (A)             | (°C)                |                     |
| P4SMA8.2 A  | Unidirectional | 400             | 5         | 8.2                       | 7.79                      | 8.61                      | 7.02            | 12.1               | 200            | 34              | 150                 | SMA (DO-214AC)      |
| P4KE9.1C    | Bidirectional  | 400             | 10        | 9.1                       | 8.19                      | 10                        | 7.37            | 13.8               | 50             | 30              | 175                 | DO-41               |
| P4SMA9.1C   | Bidirectional  | 400             | 10        | 9.1                       | 8.19                      | 10.01                     | 7.37            | 13.8               | 50             | 30              | 150                 | SMA (DO-214AC)      |
| P4KE9.1     | Unidirectional | 400             | 10        | 9.1                       | 8.19                      | 10                        | 7.37            | 13.8               | 50             | 30              | 175                 | DO-41               |
| P4SMA9.1    | Unidirectional | 400             | 10        | 9.1                       | 8.19                      | 10.01                     | 7.37            | 13.8               | 50             | 30              | 150                 | SMA (DO-214AC)      |
| SMAJ7.5C    | Bidirectional  | 400             | -         | -                         | 8.33                      | 10.2                      | 7.5             | 14.3               | 1              | 28              | 150                 | SMA (DO-214AC)      |
| SMAJ7.5CA   | Bidirectional  | 400             | -         | -                         | 8.33                      | 9.21                      | 7.5             | 12.9               | 1              | 31              | 150                 | SMA (DO-214AC)      |
| SMAJ7.5     | Unidirectional | 400             | -         | -                         | 8.33                      | 10.3                      | 7.5             | 14.3               | 1              | 28              | 150                 | SMA (DO-214AC)      |
| SMAJ7.5A    | Unidirectional | 400             | -         | -                         | 8.33                      | 9.21                      | 7.5             | 12.9               | 1              | 31              | 150                 | SMA (DO-214AC)      |
| P4SMA9.1CA  | Bidirectional  | 400             | 5         | 9.1                       | 8.645                     | 9.555                     | 7.78            | 13.4               | 50             | 31              | 150                 | SMA (DO-214AC)      |
| P4SMA9.1A   | Unidirectional | 400             | 5         | 9.1                       | 8.645                     | 9.555                     | 7.78            | 13.4               | 50             | 31              | 150                 | SMA (DO-214AC)      |
| BZW04-7V8B  | Bidirectional  | 400             | -         | -                         | 8.65                      | 9.55                      | 7.78            | 13.4               | 50             | 30              | 175                 | DO-41               |
| P4KE9.1CA   | Bidirectional  | 400             | 5         | 9.1                       | 8.65                      | 9.55                      | 7.02            | 13.4               | 50             | 31              | 175                 | DO-41               |
| BZW04-7V8   | Unidirectional | 400             | -         | -                         | 8.65                      | 9.55                      | 7.78            | 13.4               | 50             | 30              | 175                 | DO-41               |
| P4KE9.1A    | Unidirectional | 400             | 5         | 9.1                       | 8.65                      | 9.55                      | 7.78            | 13.4               | 50             | 31              | 175                 | DO-41               |
| SMAJ8.0C    | Bidirectional  | 400             | -         | -                         | 8.89                      | 10.9                      | 8               | 15                 | 50             | 26.7            | 150                 | SMA (DO-214AC)      |
| SMAJ8.0CA   | Bidirectional  | 400             | -         | -                         | 8.89                      | 9.83                      | 8               | 13.6               | 50             | 29.4            | 150                 | SMA (DO-214AC)      |
| SMAJ8.0     | Unidirectional | 400             | -         | -                         | 8.89                      | 10.9                      | 8               | 15                 | 50             | 26.7            | 150                 | SMA (DO-214AC)      |
| SMAJ8.0A    | Unidirectional | 400             | -         | -                         | 8.89                      | 9.83                      | 8               | 13.6               | 50             | 29.4            | 150                 | SMA (DO-214AC)      |
| P4KE10C     | Bidirectional  | 400             | 10        | 10                        | 9                         | 11                        | 8.1             | 15                 | 10             | 28              | 175                 | DO-41               |
| P4SMA10C    | Bidirectional  | 400             | 10        | 10                        | 9                         | 11                        | 8.1             | 15                 | 10             | 28              | 150                 | SMA (DO-214AC)      |
| P4KE10      | Unidirectional | 400             | 10        | 10                        | 9                         | 11                        | 8.1             | 15                 | 10             | 28              | 175                 | DO-41               |
| P4SMA10     | Unidirectional | 400             | 10        | 10                        | 9                         | 11                        | 8.1             | 15                 | 10             | 28              | 150                 | SMA (DO-214AC)      |
| SMAJ8.5C    | Bidirectional  | 400             | -         | -                         | 9.44                      | 11.5                      | 8.5             | 15.9               | 50             | 25.2            | 150                 | SMA (DO-214AC)      |
| SMAJ8.5CA   | Bidirectional  | 400             | -         | -                         | 9.44                      | 10.4                      | 8.5             | 14.4               | 10             | 27.8            | 150                 | SMA (DO-214AC)      |
| SMAJ8.5     | Unidirectional | 400             | -         | -                         | 9.44                      | 11.5                      | 8.5             | 15.9               | 50             | 25.2            | 150                 | SMA (DO-214AC)      |
| SMAJ8.5A    | Unidirectional | 400             | -         | -                         | 9.44                      | 10.4                      | 8.5             | 14.4               | 10             | 27.8            | 150                 | SMA (DO-214AC)      |
| BZW04-8V5B  | Bidirectional  | 400             | -         | -                         | 9.5                       | 10.5                      | 8.55            | 14.5               | 10             | 27.6            | 175                 | DO-41               |
| P4KE10CA    | Bidirectional  | 400             | 5         | 10                        | 9.5                       | 10.5                      | 8.55            | 14.5               | 10             | 29              | 175                 | DO-41               |
| P4SMA10CA   | Bidirectional  | 400             | 5         | 10                        | 9.5                       | 10.5                      | 8.55            | 14.5               | 10             | 29              | 150                 | SMA (DO-214AC)      |
| BZW04-8V5   | Unidirectional | 400             | -         | -                         | 9.5                       | 10.5                      | 8.55            | 14.5               | 10             | 27.6            | 175                 | DO-41               |
| P4KE10A     | Unidirectional | 400             | 5         | 10                        | 9.5                       | 10.5                      | 8.55            | 14.5               | 10             | 29              | 175                 | DO-41               |
| P4SMA10A    | Unidirectional | 400             | 5         | 10                        | 9.5                       | 10.5                      | 8.55            | 14.5               | 10             | 29              | 150                 | SMA (DO-214AC)      |
| P4KE11C     | Bidirectional  | 400             | 10        | 11                        | 9.9                       | 12.1                      | 8.92            | 16.2               | 1              | 26              | 175                 | DO-41               |
| P4SMA11C    | Bidirectional  | 400             | 10        | 11                        | 9.9                       | 12.1                      | 8.92            | 16.2               | 1              | 26              | 150                 | SMA (DO-214AC)      |
| P4KE11      | Unidirectional | 400             | 10        | 11                        | 9.9                       | 12.1                      | 8.92            | 16.2               | 1              | 26              | 175                 | DO-41               |
| P4SMA11     | Unidirectional | 400             | 10        | 11                        | 9.9                       | 12.1                      | 8.92            | 16.2               | 1              | 26              | 150                 | SMA (DO-214AC)      |
| SMAJ9.0C    | Bidirectional  | 400             | -         | -                         | 10                        | 12.2                      | 9               | 16.9               | 5              | 23.7            | 150                 | SMA (DO-214AC)      |
| SMAJ9.0CA   | Bidirectional  | 400             | -         | -                         | 10                        | 11.1                      | 9               | 15.4               | 5              | 26              | 150                 | SMA (DO-214AC)      |
| SMAJ9.0     | Unidirectional | 400             | -         | -                         | 10                        | 12.2                      | 9               | 16.9               | 5              | 23.7            | 150                 | SMA (DO-214AC)      |
| SMAJ9.0A    | Unidirectional | 400             | -         | -                         | 10                        | 11.1                      | 9               | 15.4               | 5              | 26              | 150                 | SMA (DO-214AC)      |
| P4SMA11CA   | Bidirectional  | 400             | 5         | 11                        | 10.45                     | 11.55                     | 9.4             | 15.6               | 1              | 27              | 150                 | SMA (DO-214AC)      |
| P4SMA11A    | Unidirectional | 400             | 5         | 11                        | 10.45                     | 11.55                     | 9.4             | 15.6               | 1              | 27              | 150                 | SMA (DO-214AC)      |
| BZW04-9V4B  | Bidirectional  | 400             | -         | -                         | 10.5                      | 11.6                      | 9.4             | 15.6               | 5              | 25.7            | 175                 | DO-41               |
| P4KE11CA    | Bidirectional  | 400             | 5         | 11                        | 10.5                      | 11.6                      | 9.4             | 15.6               | 1              | 27              | 175                 | DO-41               |

| Part Number | Family         | P <sub>PK</sub> | Tolerance | V <sub>BR</sub><br>(Nom.) | V <sub>BR</sub><br>(Min.) | V <sub>BR</sub><br>(Max.) | V <sub>WM</sub> | V <sub>clamp</sub> | I <sub>R</sub> | I <sub>PP</sub> | T <sub>J</sub> max. | Package Description |
|-------------|----------------|-----------------|-----------|---------------------------|---------------------------|---------------------------|-----------------|--------------------|----------------|-----------------|---------------------|---------------------|
|             |                | (W)             | +/- (%)   | (V)                       | (V)                       | (V)                       | (V)             | (V)                | (μA)           | (A)             | (°C)                |                     |
| BZW04-9V4   | Unidirectional | 400             | -         | -                         | 10.5                      | 11.6                      | 9.4             | 15.6               | 5              | 25.7            | 175                 | DO-41               |
| P4KE11A     | Unidirectional | 400             | 5         | 11                        | 10.5                      | 11.6                      | 9.4             | 15.6               | 1              | 27              | 175                 | DO-41               |
| P4KE12C     | Bidirectional  | 400             | 10        | 12                        | 10.8                      | 13.2                      | 9.72            | 17.3               | 1              | 24              | 175                 | DO-41               |
| P4SMA12C    | Bidirectional  | 400             | 10        | 12                        | 10.8                      | 13.2                      | 9.72            | 17.3               | 1              | 24              | 150                 | SMA (DO-214AC)      |
| P4KE12      | Unidirectional | 400             | 10        | 12                        | 10.8                      | 13.2                      | 9.72            | 17.3               | 1              | 24              | 175                 | DO-41               |
| P4SMA12     | Unidirectional | 400             | 10        | 12                        | 10.8                      | 13.2                      | 9.72            | 17.3               | 1              | 24              | 150                 | SMA (DO-214AC)      |
| SMAJ10C     | Bidirectional  | 400             | -         | -                         | 11.1                      | 13.6                      | 10              | 18.8               | 5              | 21.3            | 150                 | SMA (DO-214AC)      |
| SMAJ10CA    | Bidirectional  | 400             | -         | -                         | 11.1                      | 12.3                      | 10              | 17                 | 5              | 23.5            | 150                 | SMA (DO-214AC)      |
| SMAJ10      | Unidirectional | 400             | -         | -                         | 11.1                      | 13.6                      | 10              | 18.8               | 5              | 21.3            | 150                 | SMA (DO-214AC)      |
| SMAJ10A     | Unidirectional | 400             | -         | -                         | 11.1                      | 12.3                      | 10              | 17                 | 5              | 23.5            | 150                 | SMA (DO-214AC)      |
| BZW04-10B   | Bidirectional  | 400             | -         | -                         | 11.4                      | 12.6                      | 10.2            | 16.7               | 5              | 24              | 175                 | DO-41               |
| P4KE12CA    | Bidirectional  | 400             | 5         | 12                        | 11.4                      | 12.6                      | 10.2            | 16.7               | 1              | 25              | 175                 | DO-41               |
| P4SMA12CA   | Bidirectional  | 400             | 5         | 12                        | 11.4                      | 12.6                      | 10.2            | 16.7               | 1              | 25              | 150                 | SMA (DO-214AC)      |
| BZW04-10    | Unidirectional | 400             | -         | -                         | 11.4                      | 12.6                      | 10.2            | 16.7               | 5              | 24              | 175                 | DO-41               |
| P4KE12A     | Unidirectional | 400             | 5         | 12                        | 11.4                      | 12.6                      | 10.2            | 16.7               | 1              | 25              | 175                 | DO-41               |
| P4SMA12A    | Unidirectional | 400             | 5         | 12                        | 11.4                      | 12.6                      | 10.2            | 16.7               | 1              | 25              | 150                 | SMA (DO-214AC)      |
| P4KE13C     | Bidirectional  | 400             | 10        | 13                        | 11.7                      | 14.3                      | 10.5            | 19                 | 1              | 22              | 175                 | DO-41               |
| P4SMA13C    | Bidirectional  | 400             | 10        | 13                        | 11.7                      | 14.3                      | 9.72            | 17.3               | 1              | 24              | 150                 | SMA (DO-214AC)      |
| P4KE13      | Unidirectional | 400             | 10        | 13                        | 11.7                      | 14.3                      | 10.5            | 19                 | 1              | 22              | 175                 | DO-41               |
| P4SMA13     | Unidirectional | 400             | 10        | 13                        | 11.7                      | 14.3                      | 10.5            | 19                 | 1              | 22              | 150                 | SMA (DO-214AC)      |
| SMAJ11C     | Bidirectional  | 400             | -         | -                         | 12.2                      | 14.9                      | 11              | 20.1               | 1              | 19.9            | 150                 | SMA (DO-214AC)      |
| SMAJ11CA    | Bidirectional  | 400             | -         | -                         | 12.2                      | 13.5                      | 11              | 18.2               | 1              | 22              | 150                 | SMA (DO-214AC)      |
| SMAJ11      | Unidirectional | 400             | -         | -                         | 12.2                      | 14.9                      | 11              | 20.1               | 1              | 19.9            | 150                 | SMA (DO-214AC)      |
| SMAJ11A     | Unidirectional | 400             | -         | -                         | 12.2                      | 13.5                      | 11              | 18.2               | 1              | 22              | 150                 | SMA (DO-214AC)      |
| P4SMA13CA   | Bidirectional  | 400             | 5         | 13                        | 12.35                     | 13.65                     | 11.1            | 18.2               | 1              | 23              | 150                 | SMA (DO-214AC)      |
| P4SMA13A    | Unidirectional | 400             | 5         | 13                        | 12.35                     | 13.65                     | 11.1            | 18.2               | 1              | 23              | 150                 | SMA (DO-214AC)      |
| BZW04-11B   | Bidirectional  | 400             | -         | -                         | 12.4                      | 13.7                      | 11.1            | 18.2               | 5              | 22              | 175                 | DO-41               |
| P4KE13CA    | Bidirectional  | 400             | 5         | 13                        | 12.4                      | 13.7                      | 11.1            | 18.2               | 1              | 23              | 175                 | DO-41               |
| BZW04-11    | Unidirectional | 400             | -         | -                         | 12.4                      | 13.7                      | 11.1            | 18.2               | 5              | 22              | 175                 | DO-41               |
| P4KE13A     | Unidirectional | 400             | 5         | 13                        | 12.4                      | 13.7                      | 11.1            | 18.2               | 1              | 23              | 175                 | DO-41               |
| SMAJ12C     | Bidirectional  | 400             | -         | -                         | 13.3                      | 16.3                      | 12              | 22                 | 1              | 18.2            | 150                 | SMA (DO-214AC)      |
| SMAJ12CA    | Bidirectional  | 400             | -         | -                         | 13.3                      | 14.7                      | 12              | 19.9               | 1              | 20.1            | 150                 | SMA (DO-214AC)      |
| SMAJ12      | Unidirectional | 400             | -         | -                         | 13.3                      | 16.3                      | 12              | 22                 | 1              | 18.2            | 150                 | SMA (DO-214AC)      |
| SMAJ12A     | Unidirectional | 400             | -         | -                         | 13.3                      | 14.7                      | 12              | 19.9               | 1              | 20.1            | 150                 | SMA (DO-214AC)      |
| P4KE15C     | Bidirectional  | 400             | 10        | 15                        | 13.5                      | 16.5                      | 12.1            | 22                 | 1              | 19              | 175                 | DO-41               |
| P4SMA15C    | Bidirectional  | 400             | 10        | 15                        | 13.5                      | 16.5                      | 12.1            | 22                 | 1              | 19              | 150                 | SMA (DO-214AC)      |
| P4KE15      | Unidirectional | 400             | 10        | 15                        | 13.5                      | 16.5                      | 12.1            | 22                 | 1              | 19              | 175                 | DO-41               |
| P4SMA15     | Unidirectional | 400             | 10        | 15                        | 13.5                      | 16.5                      | 12.1            | 22                 | 1              | 19              | 150                 | SMA (DO-214AC)      |
| P4SMA15CA   | Bidirectional  | 400             | 5         | 15                        | 14.25                     | 15.75                     | 12.8            | 21.2               | 1              | 20              | 150                 | SMA (DO-214AC)      |
| P4SMA15A    | Unidirectional | 400             | 5         | 15                        | 14.25                     | 15.75                     | 12.8            | 21.2               | 1              | 20              | 150                 | SMA (DO-214AC)      |
| BZW04-13B   | Bidirectional  | 400             | -         | -                         | 14.3                      | 15.8                      | 12.8            | 21.2               | 5              | 19              | 175                 | DO-41               |
| P4KE15CA    | Bidirectional  | 400             | 5         | 15                        | 14.3                      | 15.8                      | 12.8            | 21.2               | 1              | 20              | 175                 | DO-41               |
| BZW04-13    | Unidirectional | 400             | -         | -                         | 14.3                      | 15.8                      | 12.8            | 21.2               | 5              | 19              | 175                 | DO-41               |
| P4KE15A     | Unidirectional | 400             | 5         | 15                        | 14.3                      | 15.8                      | 12.8            | 21.2               | 1              | 20              | 175                 | DO-41               |
| P4KE16C     | Bidirectional  | 400             | 10        | 16                        | 14.4                      | 17.6                      | 12.9            | 23.5               | 1              | 17.8            | 175                 | DO-41               |
| P4SMA16C    | Bidirectional  | 400             | 10        | 16                        | 14.4                      | 17.6                      | 12.9            | 23.5               | 1              | 17.8            | 150                 | SMA (DO-214AC)      |

## DIODES - TVS

| Part Number | Family         | P <sub>PK</sub> | Tolerance | V <sub>BR</sub> | V <sub>BR</sub> | V <sub>BR</sub> | V <sub>WM</sub> | V <sub>clamp</sub> | I <sub>R</sub> | I <sub>PP</sub> | T <sub>J</sub> max. | Package Description |
|-------------|----------------|-----------------|-----------|-----------------|-----------------|-----------------|-----------------|--------------------|----------------|-----------------|---------------------|---------------------|
|             |                | (W)             | +/- (%)   | (V)             | (V)             | (V)             | (V)             | (V)                | (μA)           | (A)             | (°C)                |                     |
| SMAJ13C     | Bidirectional  | 400             | -         | -               | 14.4            | 17.6            | 13              | 23.8               | 1              | 16.8            | 150                 | SMA (DO-214AC)      |
| SMAJ13CA    | Bidirectional  | 400             | -         | -               | 14.4            | 15.9            | 13              | 21.5               | 1              | 18.6            | 150                 | SMA (DO-214AC)      |
| P4KE16      | Unidirectional | 400             | 10        | 16              | 14.4            | 17.6            | 12.9            | 23.5               | 1              | 17.8            | 175                 | DO-41               |
| P4SMA16     | Unidirectional | 400             | 10        | 16              | 14.4            | 17.6            | 12.9            | 23.5               | 1              | 17.8            | 150                 | SMA (DO-214AC)      |
| SMAJ13      | Unidirectional | 400             | -         | -               | 14.4            | 17.6            | 13              | 23.8               | 1              | 16.8            | 150                 | SMA (DO-214AC)      |
| SMAJ13A     | Unidirectional | 400             | -         | -               | 14.4            | 15.9            | 13              | 21.5               | 1              | 18.6            | 150                 | SMA (DO-214AC)      |
| BZW04-14B   | Bidirectional  | 400             | -         | -               | 15.2            | 16.8            | 13.6            | 22.5               | 1              | 17.8            | 175                 | DO-41               |
| P4KE16CA    | Bidirectional  | 400             | 5         | 16              | 15.2            | 16.8            | 13.6            | 22.5               | 1              | 18.6            | 175                 | DO-41               |
| P4SMA16CA   | Bidirectional  | 400             | 5         | 16              | 15.2            | 16.8            | 13.6            | 22.5               | 1              | 18.6            | 150                 | SMA (DO-214AC)      |
| BZW04-14    | Unidirectional | 400             | -         | -               | 15.2            | 16.8            | 13.6            | 22.5               | 1              | 17.8            | 175                 | DO-41               |
| P4KE16A     | Unidirectional | 400             | 5         | 16              | 15.2            | 16.8            | 13.6            | 22.5               | 1              | 18.6            | 175                 | DO-41               |
| P4SMA16A    | Unidirectional | 400             | 5         | 16              | 15.2            | 16.8            | 13.6            | 22.5               | 1              | 18.6            | 150                 | SMA (DO-214AC)      |
| SMAJ14C     | Bidirectional  | 400             | -         | -               | 15.6            | 19.1            | 14              | 25.8               | 1              | 15.5            | 150                 | SMA (DO-214AC)      |
| SMAJ14CA    | Bidirectional  | 400             | -         | -               | 15.6            | 17.2            | 14              | 23.2               | 1              | 17.2            | 150                 | SMA (DO-214AC)      |
| SMAJ14      | Unidirectional | 400             | -         | -               | 15.6            | 19.1            | 14              | 25.8               | 1              | 15.5            | 150                 | SMA (DO-214AC)      |
| SMAJ14A     | Unidirectional | 400             | -         | -               | 15.6            | 17.2            | 14              | 23.2               | 1              | 17.2            | 150                 | SMA (DO-214AC)      |
| P4KE18C     | Bidirectional  | 400             | 10        | 18              | 16.2            | 19.8            | 14.5            | 26.5               | 1              | 16              | 175                 | DO-41               |
| P4SMA18C    | Bidirectional  | 400             | 10        | 18              | 16.2            | 19.8            | 14.5            | 26.5               | 1              | 16              | 150                 | SMA (DO-214AC)      |
| P4KE18      | Unidirectional | 400             | 10        | 18              | 16.2            | 19.8            | 14.5            | 26.5               | 1              | 16              | 175                 | DO-41               |
| P4SMA18     | Unidirectional | 400             | 10        | 18              | 16.2            | 19.8            | 14.5            | 26.5               | 1              | 16              | 150                 | SMA (DO-214AC)      |
| SMAJ15C     | Bidirectional  | 400             | -         | -               | 16.7            | 20.4            | 15              | 26.9               | 1              | 14.9            | 150                 | SMA (DO-214AC)      |
| SMAJ15CA    | Bidirectional  | 400             | -         | -               | 16.7            | 18.5            | 15              | 24.4               | 1              | 16.4            | 150                 | SMA (DO-214AC)      |
| SMAJ15      | Unidirectional | 400             | -         | -               | 16.7            | 20.4            | 15              | 26.9               | 1              | 14.9            | 150                 | SMA (DO-214AC)      |
| SMAJ15A     | Unidirectional | 400             | -         | -               | 16.7            | 18.5            | 15              | 24.4               | 1              | 16.4            | 150                 | SMA (DO-214AC)      |
| BZW04-15B   | Bidirectional  | 400             | -         | -               | 17.1            | 18.9            | 15.3            | 25.2               | 1              | 16              | 175                 | DO-41               |
| P4KE18CA    | Bidirectional  | 400             | 5         | 18              | 17.1            | 18.9            | 15.3            | 25.5               | 1              | 16.5            | 175                 | DO-41               |
| P4SMA18CA   | Bidirectional  | 400             | 5         | 18              | 17.1            | 18.9            | 15.3            | 25.5               | 1              | 16.5            | 150                 | SMA (DO-214AC)      |
| BZW04-15    | Unidirectional | 400             | -         | -               | 17.1            | 18.9            | 15.3            | 25.2               | 1              | 16              | 175                 | DO-41               |
| P4KE18A     | Unidirectional | 400             | 5         | 18              | 17.1            | 18.9            | 15.3            | 25.5               | 1              | 16.5            | 175                 | DO-41               |
| P4SMA18A    | Unidirectional | 400             | 5         | 18              | 17.1            | 18.9            | 15.3            | 25.5               | 1              | 16.5            | 150                 | SMA (DO-214AC)      |
| SMAJ16C     | Bidirectional  | 400             | -         | -               | 17.8            | 21.8            | 16              | 28.8               | 1              | 13.9            | 150                 | SMA (DO-214AC)      |
| SMAJ16CA    | Bidirectional  | 400             | -         | -               | 17.8            | 19.7            | 16              | 26                 | 1              | 15.4            | 150                 | SMA (DO-214AC)      |
| SMAJ16      | Unidirectional | 400             | -         | -               | 17.8            | 21.8            | 16              | 28.8               | 1              | 13.9            | 150                 | SMA (DO-214AC)      |
| SMAJ16A     | Unidirectional | 400             | -         | -               | 17.8            | 19.7            | 16              | 26                 | 1              | 15.4            | 150                 | SMA (DO-214AC)      |
| P4KE20C     | Bidirectional  | 400             | 10        | 20              | 18              | 22              | 16.2            | 29.1               | 1              | 14              | 175                 | DO-41               |
| P4SMA20C    | Bidirectional  | 400             | 10        | 20              | 18              | 22              | 16.2            | 29.1               | 1              | 14              | 150                 | SMA (DO-214AC)      |
| P4KE20      | Unidirectional | 400             | 10        | 20              | 18              | 22              | 16.2            | 29.1               | 1              | 14              | 175                 | DO-41               |
| P4SMA20     | Unidirectional | 400             | 10        | 20              | 18              | 22              | 16.2            | 29.1               | 1              | 14              | 150                 | SMA (DO-214AC)      |
| SMAJ17C     | Bidirectional  | 400             | -         | -               | 18.9            | 23.1            | 17              | 30.5               | 1              | 13.1            | 150                 | SMA (DO-214AC)      |
| SMAJ17CA    | Bidirectional  | 400             | -         | -               | 18.9            | 20.9            | 17              | 27.6               | 1              | 14.5            | 150                 | SMA (DO-214AC)      |
| SMAJ17      | Unidirectional | 400             | -         | -               | 18.9            | 23.1            | 17              | 30.5               | 1              | 13.1            | 150                 | SMA (DO-214AC)      |
| SMAJ17A     | Unidirectional | 400             | -         | -               | 18.9            | 20.9            | 17              | 27.6               | 1              | 14.5            | 150                 | SMA (DO-214AC)      |
| BZW04-17B   | Bidirectional  | 400             | -         | -               | 19              | 21              | 17.1            | 27.7               | 1              | 14.5            | 175                 | DO-41               |
| P4KE20CA    | Bidirectional  | 400             | 5         | 20              | 19              | 21              | 17.1            | 27.7               | 1              | 15              | 175                 | DO-41               |
| P4SMA20CA   | Bidirectional  | 400             | 5         | 20              | 19              | 21              | 17.1            | 27.7               | 1              | 15              | 150                 | SMA (DO-214AC)      |
| BZW04-17    | Unidirectional | 400             | -         | -               | 19              | 21              | 17.1            | 27.7               | 1              | 14.5            | 175                 | DO-41               |

## DIODES - TVS

| Part Number | Family         | P <sub>PK</sub> | Tolerance | V <sub>BR</sub> | V <sub>BR</sub> | V <sub>BR</sub> | V <sub>WM</sub> | V <sub>clamp</sub> | I <sub>R</sub> | I <sub>PP</sub> | T <sub>J</sub> max. | Package Description |
|-------------|----------------|-----------------|-----------|-----------------|-----------------|-----------------|-----------------|--------------------|----------------|-----------------|---------------------|---------------------|
|             |                | (W)             | +/- (%)   | (V)             | (V)             | (V)             | (V)             | (V)                | (μA)           | (A)             | (°C)                |                     |
| P4KE20A     | Unidirectional | 400             | 5         | 20              | 19              | 21              | 17.1            | 27.7               | 1              | 15              | 175                 | DO-41               |
| P4SMA20A    | Unidirectional | 400             | 5         | 20              | 19              | 21              | 17.1            | 27.7               | 1              | 15              | 150                 | SMA (DO-214AC)      |
| P4KE22C     | Bidirectional  | 400             | 10        | 22              | 19.8            | 24.2            | 17.8            | 31.9               | 1              | 13              | 175                 | DO-41               |
| P4SMA22C    | Bidirectional  | 400             | 10        | 22              | 19.8            | 24.2            | 17.8            | 31.9               | 1              | 13              | 150                 | SMA (DO-214AC)      |
| P4KE22      | Unidirectional | 400             | 10        | 22              | 19.8            | 24.2            | 17.8            | 31.9               | 1              | 13              | 175                 | DO-41               |
| P4SMA22     | Unidirectional | 400             | 10        | 22              | 19.8            | 24.2            | 17.8            | 31.9               | 1              | 13              | 150                 | SMA (DO-214AC)      |
| SMAJ18C     | Bidirectional  | 400             | -         | -               | 20              | 24.4            | 18              | 32.2               | 1              | 12.4            | 150                 | SMA (DO-214AC)      |
| SMAJ18CA    | Bidirectional  | 400             | -         | -               | 20              | 22.1            | 18              | 29.2               | 1              | 13.7            | 150                 | SMA (DO-214AC)      |
| SMAJ18      | Unidirectional | 400             | -         | -               | 20              | 24.4            | 18              | 32.2               | 1              | 12.4            | 150                 | SMA (DO-214AC)      |
| SMAJ18A     | Unidirectional | 400             | -         | -               | 20              | 22.1            | 18              | 29.2               | 1              | 13.7            | 150                 | SMA (DO-214AC)      |
| BZW04-19B   | Bidirectional  | 400             | -         | -               | 20.9            | 23.1            | 18.8            | 30.6               | 1              | 13              | 175                 | DO-41               |
| P4KE22CA    | Bidirectional  | 400             | 5         | 22              | 20.9            | 23.1            | 18.8            | 30.6               | 1              | 13.7            | 175                 | DO-41               |
| P4SMA22CA   | Bidirectional  | 400             | 5         | 22              | 20.9            | 23.1            | 18.8            | 30.6               | 1              | 13.7            | 150                 | SMA (DO-214AC)      |
| BZW04-19    | Unidirectional | 400             | -         | -               | 20.9            | 23.1            | 18.8            | 30.6               | 1              | 13              | 175                 | DO-41               |
| P4KE22A     | Unidirectional | 400             | 5         | 22              | 20.9            | 23.1            | 18.8            | 30.6               | 1              | 13.7            | 175                 | DO-41               |
| P4SMA22A    | Unidirectional | 400             | 5         | 22              | 20.9            | 23.1            | 18.8            | 30.6               | 1              | 13.7            | 150                 | SMA (DO-214AC)      |
| P4KE24C     | Bidirectional  | 400             | 10        | 24              | 21.6            | 26.4            | 19.4            | 34.7               | 1              | 12              | 175                 | DO-41               |
| P4SMA24C    | Bidirectional  | 400             | 10        | 24              | 21.6            | 26.4            | 19.4            | 34.7               | 1              | 12              | 150                 | SMA (DO-214AC)      |
| P4KE24      | Unidirectional | 400             | 10        | 24              | 21.6            | 26.4            | 19.4            | 34.7               | 1              | 12              | 175                 | DO-41               |
| P4SMA24     | Unidirectional | 400             | 10        | 24              | 21.6            | 26.4            | 19.4            | 34.7               | 1              | 12              | 150                 | SMA (DO-214AC)      |
| SMAJ20C     | Bidirectional  | 400             | -         | -               | 22.2            | 27.1            | 20              | 35.8               | 1              | 11.2            | 150                 | SMA (DO-214AC)      |
| SMAJ20CA    | Bidirectional  | 400             | -         | -               | 22.2            | 24.5            | 20              | 32.4               | 1              | 12.3            | 150                 | SMA (DO-214AC)      |
| SMAJ20      | Unidirectional | 400             | -         | -               | 22.2            | 27.1            | 20              | 35.8               | 1              | 11.2            | 150                 | SMA (DO-214AC)      |
| SMAJ20A     | Unidirectional | 400             | -         | -               | 22.2            | 24.5            | 20              | 32.4               | 1              | 12.3            | 150                 | SMA (DO-214AC)      |
| BZW04-20B   | Bidirectional  | 400             | -         | -               | 22.8            | 25.2            | 20.5            | 33.2               | 1              | 12              | 175                 | DO-41               |
| P4KE24CA    | Bidirectional  | 400             | 5         | 24              | 22.8            | 25.2            | 20.5            | 33.2               | 1              | 12.6            | 175                 | DO-41               |
| P4SMA24CA   | Bidirectional  | 400             | 5         | 24              | 22.8            | 25.2            | 20.5            | 33.2               | 1              | 12.6            | 150                 | SMA (DO-214AC)      |
| BZW04-20    | Unidirectional | 400             | -         | -               | 22.8            | 25.2            | 20.5            | 33.2               | 1              | 12              | 175                 | DO-41               |
| P4KE24A     | Unidirectional | 400             | 5         | 24              | 22.8            | 25.2            | 20.5            | 33.2               | 1              | 12.6            | 175                 | DO-41               |
| P4SMA24A    | Unidirectional | 400             | 5         | 24              | 22.8            | 25.2            | 20.5            | 33.2               | 1              | 12.6            | 150                 | SMA (DO-214AC)      |
| P4KE27C     | Bidirectional  | 400             | 10        | 27              | 24.3            | 29.7            | 21.8            | 39.1               | 1              | 10.7            | 175                 | DO-41               |
| P4SMA27C    | Bidirectional  | 400             | 10        | 27              | 24.3            | 29.7            | 21.8            | 39.1               | 1              | 10.7            | 150                 | SMA (DO-214AC)      |
| P4KE27      | Unidirectional | 400             | 10        | 27              | 24.3            | 29.7            | 21.8            | 39.1               | 1              | 10.7            | 175                 | DO-41               |
| P4SMA27     | Unidirectional | 400             | 10        | 27              | 24.3            | 29.7            | 21.8            | 39.1               | 1              | 10.7            | 150                 | SMA (DO-214AC)      |
| SMAJ22C     | Bidirectional  | 400             | -         | -               | 24.4            | 29.8            | 22              | 39.4               | 1              | 10.2            | 150                 | SMA (DO-214AC)      |
| SMAJ22CA    | Bidirectional  | 400             | -         | -               | 24.4            | 26.9            | 22              | 35.5               | 1              | 11.3            | 150                 | SMA (DO-214AC)      |
| SMAJ22      | Unidirectional | 400             | -         | -               | 24.4            | 29.8            | 22              | 39.4               | 1              | 10.2            | 150                 | SMA (DO-214AC)      |
| SMAJ22A     | Unidirectional | 400             | -         | -               | 24.4            | 26.9            | 22              | 35.5               | 1              | 11.3            | 150                 | SMA (DO-214AC)      |
| P4SMA27CA   | Bidirectional  | 400             | 5         | 27              | 25.65           | 28.35           | 23.1            | 37.5               | 1              | 11              | 150                 | SMA (DO-214AC)      |
| P4SMA27A    | Unidirectional | 400             | 5         | 27              | 25.65           | 28.35           | 23.1            | 37.5               | 1              | 11              | 150                 | SMA (DO-214AC)      |
| BZW04-23B   | Bidirectional  | 400             | -         | -               | 25.7            | 28.4            | 23.1            | 37.5               | 1              | 10.7            | 175                 | DO-41               |
| P4KE27CA    | Bidirectional  | 400             | 5         | 27              | 25.7            | 28.4            | 23.1            | 37.5               | 1              | 11              | 175                 | DO-41               |
| BZW04-23    | Unidirectional | 400             | -         | -               | 25.7            | 28.4            | 23.1            | 37.5               | 1              | 10.7            | 175                 | DO-41               |
| P4KE27A     | Unidirectional | 400             | 5         | 27              | 25.7            | 28.4            | 23.1            | 37.5               | 1              | 11              | 175                 | DO-41               |
| SMAJ24C     | Bidirectional  | 400             | -         | -               | 26.7            | 32.6            | 24              | 43                 | 1              | 9.3             | 150                 | SMA (DO-214AC)      |
| SMAJ24CA    | Bidirectional  | 400             | -         | -               | 26.7            | 29.5            | 24              | 38.9               | 1              | 10.3            | 150                 | SMA (DO-214AC)      |

## DIODES - TVS

| Part Number | Family         | P <sub>PK</sub> | Tolerance | V <sub>BR</sub><br>(Nom.) | V <sub>BR</sub><br>(Min.) | V <sub>BR</sub><br>(Max.) | V <sub>WM</sub> | V <sub>clamp</sub> | I <sub>R</sub> | I <sub>PP</sub> | T <sub>J</sub> max. | Package Description |
|-------------|----------------|-----------------|-----------|---------------------------|---------------------------|---------------------------|-----------------|--------------------|----------------|-----------------|---------------------|---------------------|
|             |                | (W)             | +/- (%)   | (V)                       | (V)                       | (V)                       | (V)             | (V)                | (μA)           | (A)             | (°C)                |                     |
| SMAJ24      | Unidirectional | 400             | -         | -                         | 26.7                      | 32.6                      | 24              | 43                 | 1              | 9.3             | 150                 | SMA (DO-214AC)      |
| SMAJ24A     | Unidirectional | 400             | -         | -                         | 26.7                      | 29.5                      | 24              | 38.9               | 1              | 10.3            | 150                 | SMA (DO-214AC)      |
| P4KE30C     | Bidirectional  | 400             | 10        | 30                        | 27                        | 33                        | 24.3            | 43.5               | 1              | 9.6             | 175                 | DO-41               |
| P4SMA30C    | Bidirectional  | 400             | 10        | 30                        | 27                        | 33                        | 24.3            | 43.5               | 1              | 9.6             | 150                 | SMA (DO-214AC)      |
| P4KE30      | Unidirectional | 400             | 10        | 30                        | 27                        | 33                        | 24.3            | 43.5               | 1              | 9.6             | 175                 | DO-41               |
| P4SMA30     | Unidirectional | 400             | 10        | 30                        | 27                        | 33                        | 24.3            | 43.5               | 1              | 9.6             | 150                 | SMA (DO-214AC)      |
| BZW04-26B   | Bidirectional  | 400             | -         | -                         | 28.5                      | 31.5                      | 25.6            | 41.5               | 1              | 9.6             | 175                 | DO-41               |
| P4KE30CA    | Bidirectional  | 400             | 5         | 30                        | 28.5                      | 31.5                      | 25.6            | 41.4               | 1              | 10              | 175                 | DO-41               |
| P4SMA30CA   | Bidirectional  | 400             | 5         | 30                        | 28.5                      | 31.5                      | 25.6            | 41.4               | 1              | 10              | 150                 | SMA (DO-214AC)      |
| BZW04-26    | Unidirectional | 400             | -         | -                         | 28.5                      | 31.5                      | 25.6            | 41.5               | 1              | 9.6             | 175                 | DO-41               |
| P4KE30A     | Unidirectional | 400             | 5         | 30                        | 28.5                      | 31.5                      | 25.6            | 41.4               | 1              | 10              | 175                 | DO-41               |
| P4SMA30A    | Unidirectional | 400             | 5         | 30                        | 28.5                      | 31.5                      | 25.6            | 41.4               | 1              | 10              | 150                 | SMA (DO-214AC)      |
| SMAJ26C     | Bidirectional  | 400             | -         | -                         | 28.9                      | 35.3                      | 26              | 46.6               | 1              | 8.6             | 150                 | SMA (DO-214AC)      |
| SMAJ26CA    | Bidirectional  | 400             | -         | -                         | 28.9                      | 31.9                      | 26              | 42.1               | 1              | 9.5             | 150                 | SMA (DO-214AC)      |
| SMAJ26      | Unidirectional | 400             | -         | -                         | 28.9                      | 35.3                      | 26              | 46.6               | 1              | 8.6             | 150                 | SMA (DO-214AC)      |
| SMAJ26A     | Unidirectional | 400             | -         | -                         | 28.9                      | 31.9                      | 26              | 42.1               | 1              | 9.5             | 150                 | SMA (DO-214AC)      |
| P4KE33C     | Bidirectional  | 400             | 10        | 33                        | 29.7                      | 36.3                      | 26.8            | 47.7               | 1              | 8.8             | 175                 | DO-41               |
| P4SMA33C    | Bidirectional  | 400             | 10        | 33                        | 29.7                      | 36.3                      | 26.8            | 47.7               | 1              | 8.8             | 150                 | SMA (DO-214AC)      |
| P4KE33      | Unidirectional | 400             | 10        | 33                        | 29.7                      | 36.3                      | 26.8            | 47.7               | 1              | 8.8             | 175                 | DO-41               |
| P4SMA33     | Unidirectional | 400             | 10        | 33                        | 29.7                      | 36.3                      | 26.8            | 47.7               | 1              | 8.8             | 150                 | SMA (DO-214AC)      |
| SMAJ28C     | Bidirectional  | 400             | -         | -                         | 31.1                      | 38                        | 28              | 50                 | 1              | 8               | 150                 | SMA (DO-214AC)      |
| SMAJ28CA    | Bidirectional  | 400             | -         | -                         | 31.1                      | 34.4                      | 28              | 45.4               | 1              | 8.8             | 150                 | SMA (DO-214AC)      |
| SMAJ28      | Unidirectional | 400             | -         | -                         | 31.1                      | 38                        | 28              | 50                 | 1              | 8               | 150                 | SMA (DO-214AC)      |
| SMAJ28A     | Unidirectional | 400             | -         | -                         | 31.1                      | 34.4                      | 28              | 45.4               | 1              | 8.8             | 150                 | SMA (DO-214AC)      |
| P4SMA33CA   | Bidirectional  | 400             | 5         | 33                        | 31.35                     | 34.65                     | 28.2            | 45.7               | 1              | 9               | 150                 | SMA (DO-214AC)      |
| P4SMA33A    | Unidirectional | 400             | 5         | 33                        | 31.35                     | 34.65                     | 28.2            | 45.7               | 1              | 9               | 150                 | SMA (DO-214AC)      |
| BZW04-28B   | Bidirectional  | 400             | -         | -                         | 31.4                      | 34.7                      | 28.2            | 45.7               | 1              | 8.8             | 175                 | DO-41               |
| P4KE33CA    | Bidirectional  | 400             | 5         | 33                        | 31.4                      | 34.7                      | 28.2            | 45.7               | 1              | 9               | 175                 | DO-41               |
| BZW04-28    | Unidirectional | 400             | -         | -                         | 31.4                      | 34.7                      | 28.2            | 45.7               | 1              | 8.8             | 175                 | DO-41               |
| P4KE33A     | Unidirectional | 400             | 5         | 33                        | 31.4                      | 34.7                      | 28.2            | 45.7               | 1              | 9               | 175                 | DO-41               |
| P4KE36C     | Bidirectional  | 400             | 10        | 36                        | 32.4                      | 39.6                      | 29.1            | 52                 | 1              | 8               | 175                 | DO-41               |
| P4SMA36C    | Bidirectional  | 400             | 10        | 36                        | 32.4                      | 39.6                      | 29.1            | 52                 | 1              | 8               | 150                 | SMA (DO-214AC)      |
| P4KE36      | Unidirectional | 400             | 10        | 36                        | 32.4                      | 39.6                      | 29.1            | 52                 | 1              | 8               | 175                 | DO-41               |
| P4SMA36     | Unidirectional | 400             | 10        | 36                        | 32.4                      | 39.6                      | 29.1            | 52                 | 1              | 8               | 150                 | SMA (DO-214AC)      |
| SMAJ30C     | Bidirectional  | 400             | -         | -                         | 33.3                      | 40.7                      | 30              | 53.5               | 1              | 7.5             | 150                 | SMA (DO-214AC)      |
| SMAJ30CA    | Bidirectional  | 400             | -         | -                         | 33.3                      | 36.8                      | 30              | 48.4               | 1              | 8.3             | 150                 | SMA (DO-214AC)      |
| SMAJ30      | Unidirectional | 400             | -         | -                         | 33.3                      | 40.7                      | 30              | 53.5               | 1              | 7.5             | 150                 | SMA (DO-214AC)      |
| SMAJ30A     | Unidirectional | 400             | -         | -                         | 33.3                      | 36.8                      | 30              | 48.4               | 1              | 8.3             | 150                 | SMA (DO-214AC)      |
| BZW04-31B   | Bidirectional  | 400             | -         | -                         | 34.2                      | 37.8                      | 30.8            | 49.9               | 1              | 8               | 175                 | DO-41               |
| P4KE36CA    | Bidirectional  | 400             | 5         | 36                        | 34.2                      | 37.8                      | 30.8            | 49.9               | 1              | 8.4             | 175                 | DO-41               |
| P4SMA36CA   | Bidirectional  | 400             | 5         | 36                        | 34.2                      | 37.8                      | 30.8            | 49.9               | 1              | 8.4             | 150                 | SMA (DO-214AC)      |
| BZW04-31    | Unidirectional | 400             | -         | -                         | 34.2                      | 37.8                      | 30.8            | 49.9               | 1              | 8               | 175                 | DO-41               |
| P4KE36A     | Unidirectional | 400             | 5         | 36                        | 34.2                      | 37.8                      | 30.8            | 49.9               | 1              | 8.4             | 175                 | DO-41               |
| P4SMA36A    | Unidirectional | 400             | 5         | 36                        | 34.2                      | 37.8                      | 30.8            | 49.9               | 1              | 8.4             | 150                 | SMA (DO-214AC)      |
| P4KE39C     | Bidirectional  | 400             | 10        | 39                        | 35.1                      | 42.9                      | 31.6            | 56.4               | 1              | 7.4             | 175                 | DO-41               |
| P4SMA39C    | Bidirectional  | 400             | 10        | 39                        | 35.1                      | 42.9                      | 31.6            | 56.4               | 1              | 7.4             | 150                 | SMA (DO-214AC)      |

## DIODES - TVS

| Part Number | Family         | P <sub>PK</sub> | Tolerance | V <sub>BR</sub><br>(Nom.) | V <sub>BR</sub><br>(Min.) | V <sub>BR</sub><br>(Max.) | V <sub>WM</sub> | V <sub>clamp</sub> | I <sub>R</sub> | I <sub>PP</sub> | T <sub>J</sub> max. | Package Description |
|-------------|----------------|-----------------|-----------|---------------------------|---------------------------|---------------------------|-----------------|--------------------|----------------|-----------------|---------------------|---------------------|
|             |                | (W)             | +/- (%)   | (V)                       | (V)                       | (V)                       | (V)             | (V)                | (μA)           | (A)             | (°C)                |                     |
| P4KE39      | Unidirectional | 400             | 10        | 39                        | 35.1                      | 42.9                      | 31.6            | 56.4               | 1              | 7.4             | 175                 | DO-41               |
| P4SMA39     | Unidirectional | 400             | 10        | 39                        | 35.1                      | 42.9                      | 31.6            | 56.4               | 1              | 7.4             | 150                 | SMA (DO-214AC)      |
| SMAJ33C     | Bidirectional  | 400             | -         | -                         | 36.7                      | 44.9                      | 33              | 59                 | 1              | 6.8             | 150                 | SMA (DO-214AC)      |
| SMAJ33CA    | Bidirectional  | 400             | -         | -                         | 36.7                      | 40.6                      | 33              | 53.3               | 1              | 7.5             | 150                 | SMA (DO-214AC)      |
| SMAJ33      | Unidirectional | 400             | -         | -                         | 36.7                      | 44.9                      | 33              | 59                 | 1              | 6.8             | 150                 | SMA (DO-214AC)      |
| SMAJ33A     | Unidirectional | 400             | -         | -                         | 36.7                      | 40.6                      | 33              | 53.3               | 1              | 7.5             | 150                 | SMA (DO-214AC)      |
| P4SMA39CA   | Bidirectional  | 400             | 5         | 39                        | 37.05                     | 40.95                     | 33.3            | 53.9               | 1              | 7.7             | 150                 | SMA (DO-214AC)      |
| P4SMA39A    | Unidirectional | 400             | 5         | 39                        | 37.05                     | 40.95                     | 33.3            | 53.9               | 1              | 7.7             | 150                 | SMA (DO-214AC)      |
| BZW04-33B   | Bidirectional  | 400             | -         | -                         | 37.1                      | 41                        | 33.3            | 53.9               | 1              | 7.4             | 175                 | DO-41               |
| P4KE39CA    | Bidirectional  | 400             | 5         | 39                        | 37.1                      | 41                        | 33.3            | 53.9               | 1              | 7.7             | 175                 | DO-41               |
| BZW04-33    | Unidirectional | 400             | -         | -                         | 37.1                      | 41                        | 33.3            | 53.9               | 1              | 7.4             | 175                 | DO-41               |
| P4KE39A     | Unidirectional | 400             | 5         | 39                        | 37.1                      | 41                        | 33.3            | 53.9               | 1              | 7.7             | 175                 | DO-41               |
| P4KE43C     | Bidirectional  | 400             | 10        | 43                        | 38.7                      | 47.3                      | 34.8            | 61.9               | 1              | 6.7             | 175                 | DO-41               |
| P4SMA43C    | Bidirectional  | 400             | 10        | 43                        | 38.7                      | 47.3                      | 34.8            | 61.9               | 1              | 6.7             | 150                 | SMA (DO-214AC)      |
| P4KE43      | Unidirectional | 400             | 10        | 43                        | 38.7                      | 47.3                      | 34.8            | 61.9               | 1              | 6.7             | 175                 | DO-41               |
| P4SMA43     | Unidirectional | 400             | 10        | 43                        | 38.7                      | 47.3                      | 34.8            | 61.9               | 1              | 6.7             | 150                 | SMA (DO-214AC)      |
| SMAJ36C     | Bidirectional  | 400             | -         | -                         | 40                        | 48.9                      | 36              | 64.3               | 1              | 6.2             | 150                 | SMA (DO-214AC)      |
| SMAJ36CA    | Bidirectional  | 400             | -         | -                         | 40                        | 44.2                      | 36              | 58.1               | 1              | 6.9             | 150                 | SMA (DO-214AC)      |
| SMAJ36      | Unidirectional | 400             | -         | -                         | 40                        | 48.9                      | 36              | 64.3               | 1              | 6.2             | 150                 | SMA (DO-214AC)      |
| SMAJ36A     | Unidirectional | 400             | -         | -                         | 40                        | 44.2                      | 36              | 58.1               | 1              | 6.9             | 150                 | SMA (DO-214AC)      |
| P4SMA43CA   | Bidirectional  | 400             | 5         | 43                        | 40.85                     | 45.15                     | 36.8            | 59.3               | 1              | 7               | 150                 | SMA (DO-214AC)      |
| P4SMA43A    | Unidirectional | 400             | 5         | 43                        | 40.85                     | 45.15                     | 36.8            | 59.3               | 1              | 7               | 150                 | SMA (DO-214AC)      |
| BZW04-37B   | Bidirectional  | 400             | -         | -                         | 40.9                      | 45.2                      | 36.8            | 59.3               | 1              | 6.7             | 175                 | DO-41               |
| P4KE43CA    | Bidirectional  | 400             | 5         | 43                        | 40.9                      | 45.2                      | 36.8            | 59.3               | 1              | 7               | 175                 | DO-41               |
| BZW04-37    | Unidirectional | 400             | -         | -                         | 40.9                      | 45.2                      | 36.8            | 59.3               | 1              | 6.7             | 175                 | DO-41               |
| P4KE43A     | Unidirectional | 400             | 5         | 43                        | 40.9                      | 45.2                      | 36.8            | 59.3               | 1              | 7               | 175                 | DO-41               |
| P4KE47C     | Bidirectional  | 400             | 10        | 47                        | 42.3                      | 51.7                      | 38.1            | 67.8               | 1              | 6.2             | 175                 | DO-41               |
| P4SMA47C    | Bidirectional  | 400             | 10        | 47                        | 42.3                      | 51.7                      | 38.1            | 67.8               | 1              | 6.2             | 150                 | SMA (DO-214AC)      |
| P4KE47      | Unidirectional | 400             | 10        | 47                        | 42.3                      | 51.7                      | 38.1            | 67.8               | 1              | 6.2             | 175                 | DO-41               |
| P4SMA47     | Unidirectional | 400             | 10        | 47                        | 42.3                      | 51.7                      | 38.1            | 67.8               | 1              | 6.2             | 150                 | SMA (DO-214AC)      |
| SMAJ40C     | Bidirectional  | 400             | -         | -                         | 44.4                      | 54.3                      | 40              | 71.4               | 1              | 5.6             | 150                 | SMA (DO-214AC)      |
| SMAJ40CA    | Bidirectional  | 400             | -         | -                         | 44.4                      | 49.1                      | 40              | 64.5               | 1              | 6.2             | 150                 | SMA (DO-214AC)      |
| SMAJ40      | Unidirectional | 400             | -         | -                         | 44.4                      | 54.3                      | 40              | 71.4               | 1              | 5.6             | 150                 | SMA (DO-214AC)      |
| SMAJ40A     | Unidirectional | 400             | -         | -                         | 44.4                      | 49.1                      | 40              | 64.5               | 1              | 6.2             | 150                 | SMA (DO-214AC)      |
| P4SMA47CA   | Bidirectional  | 400             | 5         | 47                        | 44.65                     | 49.35                     | 40.2            | 64.8               | 1              | 6.4             | 150                 | SMA (DO-214AC)      |
| P4SMA47A    | Unidirectional | 400             | 5         | 47                        | 44.65                     | 49.35                     | 40.2            | 64.8               | 1              | 6.4             | 150                 | SMA (DO-214AC)      |
| BZW04-40B   | Bidirectional  | 400             | -         | -                         | 44.7                      | 49.4                      | 40.2            | 64.8               | 1              | 6.2             | 175                 | DO-41               |
| P4KE47CA    | Bidirectional  | 400             | 5         | 47                        | 44.7                      | 49.4                      | 40.2            | 64.8               | 1              | 6.4             | 175                 | DO-41               |
| BZW04-40    | Unidirectional | 400             | -         | -                         | 44.7                      | 49.4                      | 40.2            | 64.8               | 1              | 6.2             | 175                 | DO-41               |
| P4KE47A     | Unidirectional | 400             | 5         | 47                        | 44.7                      | 49.4                      | 40.2            | 64.8               | 1              | 6.4             | 175                 | DO-41               |
| P4KE51C     | Bidirectional  | 400             | 10        | 51                        | 45.9                      | 56.1                      | 41.3            | 73.5               | 1              | 5.7             | 175                 | DO-41               |
| P4SMA51C    | Bidirectional  | 400             | 10        | 51                        | 45.9                      | 56.1                      | 41.3            | 73.5               | 1              | 5.7             | 150                 | SMA (DO-214AC)      |
| P4KE51      | Unidirectional | 400             | 10        | 51                        | 45.9                      | 56.1                      | 41.3            | 73.5               | 1              | 5.7             | 175                 | DO-41               |
| P4SMA51     | Unidirectional | 400             | 10        | 51                        | 45.9                      | 56.1                      | 41.3            | 73.5               | 1              | 5.7             | 150                 | SMA (DO-214AC)      |
| SMAJ43C     | Bidirectional  | 400             | -         | -                         | 47.8                      | 58.4                      | 43              | 76.7               | 1              | 5.2             | 150                 | SMA (DO-214AC)      |
| SMAJ43CA    | Bidirectional  | 400             | -         | -                         | 47.8                      | 52.8                      | 43              | 69.4               | 1              | 5.8             | 150                 | SMA (DO-214AC)      |



## DIODES - TVS

## DIODES - TVS

| Part Number | Family         | P <sub>PK</sub> | Tolerance | V <sub>BR</sub><br>(Nom.) | V <sub>BR</sub><br>(Min.) | V <sub>BR</sub><br>(Max.) | V <sub>WM</sub> | V <sub>clamp</sub> | I <sub>R</sub> | I <sub>PP</sub> | T <sub>J</sub> max. | Package Description |
|-------------|----------------|-----------------|-----------|---------------------------|---------------------------|---------------------------|-----------------|--------------------|----------------|-----------------|---------------------|---------------------|
|             |                | (W)             | +/- (%)   | (V)                       | (V)                       | (V)                       | (V)             | (V)                | (μA)           | (A)             | (°C)                |                     |
| SMAJ43      | Unidirectional | 400             | -         | -                         | 47.8                      | 58.4                      | 43              | 76.7               | 1              | 5.2             | 150                 | SMA (DO-214AC)      |
| SMAJ43A     | Unidirectional | 400             | -         | -                         | 47.8                      | 52.8                      | 43              | 69.4               | 1              | 5.8             | 150                 | SMA (DO-214AC)      |
| P4SMA51CA   | Bidirectional  | 400             | 5         | 51                        | 48.45                     | 53.55                     | 43.6            | 70.1               | 1              | 6               | 150                 | SMA (DO-214AC)      |
| P4SMA51A    | Unidirectional | 400             | 5         | 51                        | 48.45                     | 53.55                     | 43.6            | 70.1               | 1              | 6               | 150                 | SMA (DO-214AC)      |
| BZW04-44B   | Bidirectional  | 400             | -         | -                         | 48.5                      | 53.6                      | 43.6            | 70.1               | 1              | 5.7             | 175                 | DO-41               |
| P4KE51CA    | Bidirectional  | 400             | 5         | 51                        | 48.5                      | 53.6                      | 43.6            | 70.1               | 1              | 6               | 175                 | DO-41               |
| BZW04-44    | Unidirectional | 400             | -         | -                         | 48.5                      | 53.6                      | 43.6            | 70.1               | 1              | 5.7             | 175                 | DO-41               |
| P4KE51A     | Unidirectional | 400             | 5         | 51                        | 48.5                      | 53.6                      | 43.6            | 70.1               | 1              | 6               | 175                 | DO-41               |
| SMAJ45C     | Bidirectional  | 400             | -         | -                         | 50                        | 61.1                      | 45              | 80.3               | 1              | 5               | 150                 | SMA (DO-214AC)      |
| SMAJ45CA    | Bidirectional  | 400             | -         | -                         | 50                        | 55.3                      | 45              | 72.7               | 1              | 5.5             | 150                 | SMA (DO-214AC)      |
| SMAJ45      | Unidirectional | 400             | -         | -                         | 50                        | 61.1                      | 45              | 80.3               | 1              | 5               | 150                 | SMA (DO-214AC)      |
| SMAJ45A     | Unidirectional | 400             | -         | -                         | 50                        | 55.3                      | 45              | 72.7               | 1              | 5.5             | 150                 | SMA (DO-214AC)      |
| P4KE56C     | Bidirectional  | 400             | 10        | 56                        | 50.4                      | 61.6                      | 45.4            | 80.5               | 1              | 5.2             | 175                 | DO-41               |
| P4SMA56C    | Bidirectional  | 400             | 10        | 56                        | 50.4                      | 61.6                      | 45.4            | 80.5               | 1              | 5.2             | 150                 | SMA (DO-214AC)      |
| P4KE56      | Unidirectional | 400             | 10        | 56                        | 50.4                      | 61.6                      | 45.4            | 80.5               | 1              | 5.2             | 175                 | DO-41               |
| P4SMA56     | Unidirectional | 400             | 10        | 56                        | 50.4                      | 61.6                      | 45.4            | 80.5               | 1              | 5.2             | 150                 | SMA (DO-214AC)      |
| BZW04-48B   | Bidirectional  | 400             | -         | -                         | 53.2                      | 58.8                      | 47.8            | 77                 | 1              | 5.2             | 175                 | DO-41               |
| P4KE56CA    | Bidirectional  | 400             | 5         | 56                        | 53.2                      | 58.8                      | 47.8            | 77                 | 1              | 5.4             | 175                 | DO-41               |
| P4SMA56CA   | Bidirectional  | 400             | 5         | 56                        | 53.2                      | 58.8                      | 47.8            | 77                 | 1              | 5.4             | 150                 | SMA (DO-214AC)      |
| BZW04-48    | Unidirectional | 400             | -         | -                         | 53.2                      | 58.8                      | 47.8            | 77                 | 1              | 5.2             | 175                 | DO-41               |
| P4KE56A     | Unidirectional | 400             | 5         | 56                        | 53.2                      | 58.8                      | 47.8            | 77                 | 1              | 5.4             | 175                 | DO-41               |
| P4SMA56A    | Unidirectional | 400             | 5         | 56                        | 53.2                      | 58.8                      | 47.8            | 77                 | 1              | 5.4             | 150                 | SMA (DO-214AC)      |
| SMAJ48C     | Bidirectional  | 400             | -         | -                         | 53.3                      | 65.2                      | 48              | 85.5               | 1              | 4.7             | 150                 | SMA (DO-214AC)      |
| SMAJ48CA    | Bidirectional  | 400             | -         | -                         | 53.3                      | 58.9                      | 48              | 77.4               | 1              | 5.2             | 150                 | SMA (DO-214AC)      |
| SMAJ48      | Unidirectional | 400             | -         | -                         | 53.3                      | 65.1                      | 48              | 85.5               | 1              | 4.7             | 150                 | SMA (DO-214AC)      |
| SMAJ48A     | Unidirectional | 400             | -         | -                         | 53.3                      | 58.9                      | 48              | 77.4               | 1              | 5.2             | 150                 | SMA (DO-214AC)      |
| P4KE62C     | Bidirectional  | 400             | 10        | 62                        | 55.8                      | 68.2                      | 50.2            | 89                 | 1              | 4.7             | 175                 | DO-41               |
| P4SMA62C    | Bidirectional  | 400             | 10        | 62                        | 55.8                      | 68.2                      | 50.2            | 89                 | 1              | 4.7             | 150                 | SMA (DO-214AC)      |
| P4KE62      | Unidirectional | 400             | 10        | 62                        | 55.8                      | 68.2                      | 50.2            | 89                 | 1              | 4.7             | 175                 | DO-41               |
| P4SMA62     | Unidirectional | 400             | 10        | 62                        | 55.8                      | 68.2                      | 50.2            | 89                 | 1              | 4.7             | 150                 | SMA (DO-214AC)      |
| SMAJ51C     | Bidirectional  | 400             | -         | -                         | 56.7                      | 69.3                      | 51              | 91.1               | 1              | 4.4             | 150                 | SMA (DO-214AC)      |
| SMAJ51CA    | Bidirectional  | 400             | -         | -                         | 56.7                      | 62.7                      | 51              | 82.4               | 1              | 4.9             | 150                 | SMA (DO-214AC)      |
| SMAJ51      | Unidirectional | 400             | -         | -                         | 56.7                      | 69.3                      | 51              | 91.1               | 1              | 4.4             | 150                 | SMA (DO-214AC)      |
| SMAJ51A     | Unidirectional | 400             | -         | -                         | 56.7                      | 62.7                      | 51              | 82.4               | 1              | 4.9             | 150                 | SMA (DO-214AC)      |
| BZW04-53B   | Bidirectional  | 400             | -         | -                         | 58.9                      | 65.1                      | 53              | 85                 | 1              | 4.7             | 175                 | DO-41               |
| P4KE62CA    | Bidirectional  | 400             | 5         | 62                        | 58.9                      | 65.1                      | 53              | 85                 | 1              | 5               | 175                 | DO-41               |
| P4SMA62CA   | Bidirectional  | 400             | 5         | 62                        | 58.9                      | 65.1                      | 53              | 85                 | 1              | 5               | 150                 | SMA (DO-214AC)      |
| BZW04-53    | Unidirectional | 400             | -         | -                         | 58.9                      | 65.1                      | 53              | 85                 | 1              | 4.7             | 175                 | DO-41               |
| P4KE62A     | Unidirectional | 400             | 5         | 62                        | 58.9                      | 65.1                      | 53              | 85                 | 1              | 5               | 175                 | DO-41               |
| P4SMA62A    | Unidirectional | 400             | 5         | 62                        | 58.9                      | 65.1                      | 53              | 85                 | 1              | 5               | 150                 | SMA (DO-214AC)      |
| SMAJ54C     | Bidirectional  | 400             | -         | -                         | 60                        | 73.3                      | 54              | 96.3               | 1              | 4.2             | 150                 | SMA (DO-214AC)      |
| SMAJ54CA    | Bidirectional  | 400             | -         | -                         | 60                        | 66.3                      | 54              | 87.1               | 1              | 4.6             | 150                 | SMA (DO-214AC)      |
| SMAJ54      | Unidirectional | 400             | -         | -                         | 60                        | 73.3                      | 54              | 96.3               | 1              | 4.2             | 150                 | SMA (DO-214AC)      |
| SMAJ54A     | Unidirectional | 400             | -         | -                         | 60                        | 66.3                      | 54              | 87.1               | 1              | 4.6             | 150                 | SMA (DO-214AC)      |
| P4KE68C     | Bidirectional  | 400             | 10        | 68                        | 61.2                      | 74.8                      | 55.1            | 98                 | 1              | 4.2             | 175                 | DO-41               |
| P4SMA68C    | Bidirectional  | 400             | 10        | 68                        | 61.2                      | 74.8                      | 55.1            | 98                 | 1              | 4.2             | 150                 | SMA (DO-214AC)      |

| Part Number | Family         | P <sub>PK</sub> | Tolerance | V <sub>BR</sub><br>(Nom.) | V <sub>BR</sub><br>(Min.) | V <sub>BR</sub><br>(Max.) | V <sub>WM</sub> | V <sub>clamp</sub> | I <sub>R</sub> | I <sub>PP</sub> | T <sub>J</sub> max. | Package Description |
|-------------|----------------|-----------------|-----------|---------------------------|---------------------------|---------------------------|-----------------|--------------------|----------------|-----------------|---------------------|---------------------|
|             |                | (W)             | +/- (%)   | (V)                       | (V)                       | (V)                       | (V)             | (V)                | (μA)           | (A)             | (°C)                |                     |
| P4KE68      | Unidirectional | 400             | 10        | 68                        | 61.2                      | 74.8                      | 55.1            | 98                 | 1              | 4.2             | 175                 | DO-41               |
| P4SMA68     | Unidirectional | 400             | 10        | 68                        | 61.2                      | 74.8                      | 55.1            | 98                 | 1              | 4.2             | 150                 | SMA (DO-214AC)      |
| SMAJ58C     | Bidirectional  | 400             | -         | -                         | 64.4                      | 78.7                      | 58              | 103                | 1              | 3.9             | 150                 | SMA (DO-214AC)      |
| SMAJ58CA    | Bidirectional  | 400             | -         | -                         | 64.4                      | 71.2                      | 58              | 93.6               | 1              | 4.3             | 150                 | SMA (DO-214AC)      |
| SMAJ58      | Unidirectional | 400             | -         | -                         | 64.4                      | 78.7                      | 58              | 103                | 1              | 3.9             | 150                 | SMA (DO-214AC)      |
| SMAJ58A     | Unidirectional | 400             | -         | -                         | 64.4                      | 71.2                      | 58              | 93.6               | 1              | 4.3             | 150                 | SMA (DO-214AC)      |
| BZW04-58B   | Bidirectional  | 400             | -         | -                         | 64.6                      | 71.4                      | 58.1            | 92                 | 1              | 4.3             | 175                 | DO-41               |
| P4KE68CA    | Bidirectional  | 400             | 5         | 68                        | 64.6                      | 71.4                      | 58.1            | 92                 | 1              | 4.5             | 175                 | DO-41               |
| P4SMA68CA   | Bidirectional  | 400             | 5         | 68                        | 64.6                      | 71.4                      | 58.1            | 92                 | 1              | 4.5             | 150                 | SMA (DO-214AC)      |
| BZW04-58    | Unidirectional | 400             | -         | -                         | 64.6                      | 71.4                      | 58.1            | 92                 | 1              | 4.3             | 175                 | DO-41               |
| P4KE68A     | Unidirectional | 400             | 5         | 68                        | 64.6                      | 71.4                      | 58.1            | 92                 | 1              | 4.5             | 175                 | DO-41               |
| P4SMA68A    | Unidirectional | 400             | 5         | 68                        | 64.6                      | 71.4                      | 58.1            | 92                 | 1              | 4.5             | 150                 | SMA (DO-214AC)      |
| SMAJ60C     | Bidirectional  | 400             | -         | -                         | 66.7                      | 81.5                      | 60              | 107                | 1              | 3.7             | 150                 | SMA (DO-214AC)      |
| SMAJ60CA    | Bidirectional  | 400             | -         | -                         | 66.7                      | 73.7                      | 60              | 96.8               | 1              | 4.1             | 150                 | SMA (DO-214AC)      |
| SMAJ60      | Unidirectional | 400             | -         | -                         | 66.7                      | 81.5                      | 60              | 107                | 1              | 3.7             | 150                 | SMA (DO-214AC)      |
| SMAJ60A     | Unidirectional | 400             | -         | -                         | 66.7                      | 73.7                      | 60              | 96.8               | 1              | 4.1             | 150                 | SMA (DO-214AC)      |
| P4KE75C     | Bidirectional  | 400             | 10        | 75                        | 67.5                      | 82.5                      | 60.7            | 108                | 1              | 3.8             | 175                 | DO-41               |
| P4SMA75C    | Bidirectional  | 400             | 10        | 75                        | 67.5                      | 82.5                      | 60.7            | 108                | 1              | 3.8             | 150                 | SMA (DO-214AC)      |
| P4KE75      | Unidirectional | 400             | 10        | 75                        | 67.5                      | 82.5                      | 60.7            | 108                | 1              | 3.8             | 175                 | DO-41               |
| P4SMA75     | Unidirectional | 400             | 10        | 75                        | 67.5                      | 82.5                      | 60.7            | 108                | 1              | 3.8             | 150                 | SMA (DO-214AC)      |
| SMAJ64C     | Bidirectional  | 400             | -         | -                         | 71.1                      | 86.9                      | 64              | 114                | 1              | 3.5             | 150                 | SMA (DO-214AC)      |
| SMAJ64CA    | Bidirectional  | 400             | -         | -                         | 71.1                      | 78.6                      | 64              | 103                | 1              | 3.9             | 150                 | SMA (DO-214AC)      |
| SMAJ64      | Unidirectional | 400             | -         | -                         | 71.1                      | 86.9                      | 64              | 114                | 1              | 3.5             | 150                 | SMA (DO-214AC)      |
| SMAJ64A     | Unidirectional | 400             | -         | -                         | 71.1                      | 78.6                      | 64              | 103                | 1              | 3.9             | 150                 | SMA (DO-214AC)      |
| P4SMA75CA   | Bidirectional  | 400             | 5         | 75                        | 71.25                     | 78.75                     | 64.1            | 103                | 1              | 4               | 150                 | SMA (DO-214AC)      |
| P4SMA75A    | Unidirectional | 400             | 5         | 75                        | 71.25                     | 78.75                     | 64.1            | 103                | 1              | 4               | 150                 | SMA (DO-214AC)      |
| BZW04-64B   | Bidirectional  | 400             | -         | -                         | 71.3                      | 78.8                      | 64.1            | 103                | 1              | 3.9             | 175                 | DO-41               |
| P4KE75CA    | Bidirectional  | 400             | 5         | 75                        | 71.3                      | 78.8                      | 64.1            | 103                | 1              | 4               | 175                 | DO-41               |
| BZW04-64    | Unidirectional | 400             | -         | -                         | 71.3                      | 78.8                      | 64.1            | 103                | 1              | 3.9             | 175                 | DO-41               |
| P4KE75A     | Unidirectional | 400             | 5         | 75                        | 71.3                      | 78.8                      | 64.1            | 103                | 1              | 4               | 175                 | DO-41               |
| P4KE82C     | Bidirectional  | 400             | 10        | 82                        | 73.8                      | 90.2                      | 66.4            | 118                | 1              | 3.5             | 175                 | DO-41               |
| P4SMA82C    | Bidirectional  | 400             | 10        | 82                        | 73.8                      | 90.2                      | 66.4            | 118                | 1              | 3.5             | 150                 | SMA (DO-214AC)      |
| P4KE82      | Unidirectional | 400             | 10        | 82                        | 73.8                      | 90.2                      | 66.4            | 118                | 1              | 3.5             | 175                 | DO-41               |
| P4SMA82     | Unidirectional | 400             | 10        | 82                        | 73.8                      | 90.2                      | 66.4            | 118                | 1              | 3.5             | 150                 | SMA (DO-214AC)      |
| SMAJ70C     | Bidirectional  | 400             | -         | -                         | 77.8                      | 95.1                      | 70              | 125                | 1              | 3.2             | 150                 | SMA (DO-214AC)      |
| SMAJ70CA    | Bidirectional  | 400             | -         | -                         | 77.8                      | 86                        | 70              | 113                | 1              | 3.5             | 150                 | SMA (DO-214AC)      |
| SMAJ70      | Unidirectional | 400             | -         | -                         | 77.8                      | 95.1                      | 70              | 125                | 1              | 3.2             | 150                 | SMA (DO-214AC)      |
| SMAJ70A     | Unidirectional | 400             | -         | -                         | 77.8                      | 86                        | 70              | 113                | 1              | 3.5             | 150                 | SMA (DO-214AC)      |
| BZW04-70B   | Bidirectional  | 400             | -         | -                         | 77.9                      | 86.1                      | 70.1            | 113                | 1              | 3.5             | 175                 | DO-41               |
| P4KE82CA    | Bidirectional  | 400             | 5         | 82                        | 77.9                      | 86.1                      | 70.1            | 113                | 1              | 3.7             | 175                 | DO-41               |
| P4SMA82CA   | Bidirectional  | 400             | 5         | 82                        | 77.9                      | 86.1                      | 70.1            | 113                | 1              | 3.7             | 150                 | SMA (DO-214AC)      |
| BZW04-70    | Unidirectional | 400             | -         | -                         | 77.9                      | 86.1                      | 70.1            | 113                | 1              | 3.5             | 175                 | DO-41               |
| P4KE82A     | Unidirectional | 400             | 5         | 82                        | 77.9                      | 86.1                      | 70.1            | 113                | 1              | 3.7             | 175                 | DO-41               |
| P4SMA82A    | Unidirectional | 400             | 5         | 82                        | 77.9                      | 86.1                      | 70.1            | 113                | 1              | 3.7             | 150                 | SMA (DO-214AC)      |
| P4KE91C     | Bidirectional  | 400             | 10        | 91                        | 81.9                      | 100                       | 73.7            | 131                | 1              | 3.2             | 175                 | DO-41               |
| P4SMA91C    | Bidirectional  | 400             | 10        | 91                        | 81.9                      | 100.1                     | 73.7            | 131                | 1              | 3.2             | 150                 | SMA (DO-214AC)      |



## DIODES - TVS

| Part Number | Family         | P <sub>PK</sub> | Tolerance | V <sub>BR</sub><br>(Nom.) | V <sub>BR</sub><br>(Min.) | V <sub>BR</sub><br>(Max.) | V <sub>WM</sub> | V <sub>clamp</sub> | I <sub>R</sub> | I <sub>PP</sub> | T <sub>J</sub> max. | Package Description |
|-------------|----------------|-----------------|-----------|---------------------------|---------------------------|---------------------------|-----------------|--------------------|----------------|-----------------|---------------------|---------------------|
|             |                | (W)             | +/- (%)   | (V)                       | (V)                       | (V)                       | (V)             | (V)                | (μA)           | (A)             | (°C)                |                     |
| P4KE91      | Unidirectional | 400             | 10        | 91                        | 81.9                      | 100                       | 73.7            | 131                | 1              | 3.2             | 175                 | DO-41               |
| P4SMA91     | Unidirectional | 400             | 10        | 91                        | 81.9                      | 100.1                     | 73.7            | 131                | 1              | 3.2             | 150                 | SMA (DO-214AC)      |
| SMAJ75C     | Bidirectional  | 400             | -         | -                         | 83.3                      | 102                       | 75              | 134                | 1              | 3               | 150                 | SMA (DO-214AC)      |
| SMAJ75CA    | Bidirectional  | 400             | -         | -                         | 83.3                      | 92.1                      | 75              | 121                | 1              | 3.3             | 150                 | SMA (DO-214AC)      |
| SMAJ75      | Unidirectional | 400             | -         | -                         | 83.3                      | 102                       | 75              | 134                | 1              | 3               | 150                 | SMA (DO-214AC)      |
| SMAJ75A     | Unidirectional | 400             | -         | -                         | 83.3                      | 92.1                      | 75              | 121                | 1              | 3.3             | 150                 | SMA (DO-214AC)      |
| P4SMA91CA   | Bidirectional  | 400             | 5         | 91                        | 86.45                     | 95.5                      | 77.8            | 125                | 1              | 3.3             | 150                 | SMA (DO-214AC)      |
| P4SMA91A    | Unidirectional | 400             | 5         | 91                        | 86.45                     | 95.5                      | 77.8            | 125                | 1              | 3.3             | 150                 | SMA (DO-214AC)      |
| BZW04-78B   | Bidirectional  | 400             | -         | -                         | 86.5                      | 95.5                      | 78              | 125                | 1              | 3.2             | 175                 | DO-41               |
| P4KE91CA    | Bidirectional  | 400             | 5         | 91                        | 86.5                      | 95.5                      | 77.8            | 125                | 1              | 3.3             | 175                 | DO-41               |
| BZW04-78    | Unidirectional | 400             | -         | -                         | 86.5                      | 95.5                      | 78              | 125                | 1              | 3.2             | 175                 | DO-41               |
| P4KE91A     | Unidirectional | 400             | 5         | 91                        | 86.5                      | 95.5                      | 77.8            | 125                | 1              | 3.3             | 175                 | DO-41               |
| SMAJ78C     | Bidirectional  | 400             | -         | -                         | 86.7                      | 106                       | 78              | 139                | 1              | 2.9             | 150                 | SMA (DO-214AC)      |
| SMAJ78CA    | Bidirectional  | 400             | -         | -                         | 86.7                      | 95.8                      | 78              | 126                | 1              | 3.2             | 150                 | SMA (DO-214AC)      |
| SMAJ78      | Unidirectional | 400             | -         | -                         | 86.7                      | 106                       | 78              | 139                | 1              | 2.9             | 150                 | SMA (DO-214AC)      |
| SMAJ78A     | Unidirectional | 400             | -         | -                         | 86.7                      | 95.8                      | 78              | 126                | 1              | 3.2             | 150                 | SMA (DO-214AC)      |
| P4KE100C    | Bidirectional  | 400             | 10        | 100                       | 90                        | 110                       | 81              | 144                | 1              | 2.9             | 175                 | DO-41               |
| P4SMA100C   | Bidirectional  | 400             | 10        | 100                       | 90                        | 110                       | 81              | 144                | 1              | 2.9             | 150                 | SMA (DO-214AC)      |
| P4KE100     | Unidirectional | 400             | 10        | 100                       | 90                        | 110                       | 81              | 144                | 1              | 2.9             | 175                 | DO-41               |
| P4SMA100    | Unidirectional | 400             | 10        | 100                       | 90                        | 110                       | 81              | 144                | 1              | 2.9             | 150                 | SMA (DO-214AC)      |
| SMAJ85C     | Bidirectional  | 400             | -         | -                         | 94.4                      | 115                       | 85              | 151                | 1              | 2               | 150                 | SMA (DO-214AC)      |
| SMAJ85CA    | Bidirectional  | 400             | -         | -                         | 94.4                      | 104                       | 85              | 137                | 1              | 2.2             | 150                 | SMA (DO-214AC)      |
| SMAJ85      | Unidirectional | 400             | -         | -                         | 94.4                      | 115                       | 85              | 151                | 1              | 2               | 150                 | SMA (DO-214AC)      |
| SMAJ85A     | Unidirectional | 400             | -         | -                         | 94.4                      | 104                       | 85              | 137                | 1              | 2.2             | 150                 | SMA (DO-214AC)      |
| BZW04-85B   | Bidirectional  | 400             | -         | -                         | 95                        | 105                       | 85.5            | 137                | 1              | 2.9             | 175                 | DO-41               |
| P4KE100CA   | Bidirectional  | 400             | 5         | 100                       | 95                        | 105                       | 85.5            | 137                | 1              | 3               | 175                 | DO-41               |
| P4SMA100CA  | Bidirectional  | 400             | 5         | 100                       | 95                        | 105                       | 85.5            | 137                | 1              | 3               | 150                 | SMA (DO-214AC)      |
| BZW04-85    | Unidirectional | 400             | -         | -                         | 95                        | 105                       | 85.5            | 137                | 1              | 2.9             | 175                 | DO-41               |
| P4KE100A    | Unidirectional | 400             | 5         | 100                       | 95                        | 105                       | 85.5            | 137                | 1              | 3               | 175                 | DO-41               |
| P4SMA100A   | Unidirectional | 400             | 5         | 100                       | 95                        | 105                       | 85.5            | 137                | 1              | 3               | 150                 | SMA (DO-214AC)      |
| P4KE110C    | Bidirectional  | 400             | 10        | 110                       | 99                        | 121                       | 89.2            | 158                | 1              | 2.6             | 175                 | DO-41               |
| P4SMA110C   | Bidirectional  | 400             | 10        | 110                       | 99                        | 121                       | 89.2            | 158                | 1              | 2.6             | 150                 | SMA (DO-214AC)      |
| P4KE110     | Unidirectional | 400             | 10        | 110                       | 99                        | 121                       | 89.2            | 158                | 1              | 2.6             | 175                 | DO-41               |
| P4SMA110    | Unidirectional | 400             | 10        | 110                       | 99                        | 121                       | 89.2            | 158                | 1              | 2.6             | 150                 | SMA (DO-214AC)      |
| SMAJ90C     | Bidirectional  | 400             | -         | -                         | 100                       | 122                       | 90              | 160                | 1              | 1.9             | 150                 | SMA (DO-214AC)      |
| SMAJ90CA    | Bidirectional  | 400             | -         | -                         | 100                       | 111                       | 90              | 146                | 1              | 2.1             | 150                 | SMA (DO-214AC)      |
| SMAJ90      | Unidirectional | 400             | -         | -                         | 100                       | 122                       | 90              | 160                | 1              | 1.9             | 150                 | SMA (DO-214AC)      |
| SMAJ90A     | Unidirectional | 400             | -         | -                         | 100                       | 111                       | 90              | 146                | 1              | 2.1             | 150                 | SMA (DO-214AC)      |
| P4SMA110CA  | Bidirectional  | 400             | 5         | 110                       | 104.5                     | 115.5                     | 94              | 152                | 1              | 2.7             | 150                 | SMA (DO-214AC)      |
| P4SMA110A   | Unidirectional | 400             | 5         | 110                       | 104.5                     | 115.5                     | 94              | 152                | 1              | 2.7             | 150                 | SMA (DO-214AC)      |
| BZW04-94B   | Bidirectional  | 400             | -         | -                         | 105                       | 116                       | 94              | 152                | 1              | 2.6             | 175                 | DO-41               |
| P4KE110CA   | Bidirectional  | 400             | 5         | 110                       | 105                       | 116                       | 94              | 152                | 1              | 2.7             | 175                 | DO-41               |
| BZW04-94    | Unidirectional | 400             | -         | -                         | 105                       | 116                       | 94              | 152                | 1              | 2.6             | 175                 | DO-41               |
| P4KE110A    | Unidirectional | 400             | 5         | 110                       | 105                       | 116                       | 94              | 152                | 1              | 2.7             | 175                 | DO-41               |
| P4KE120C    | Bidirectional  | 400             | 10        | 120                       | 108                       | 132                       | 97.2            | 173                | 1              | 2.4             | 175                 | DO-41               |
| P4SMA120C   | Bidirectional  | 400             | 10        | 120                       | 108                       | 132                       | 97.2            | 173                | 1              | 2.4             | 150                 | SMA (DO-214AC)      |

## DIODES - TVS

| Part Number | Family         | P <sub>PK</sub> | Tolerance | V <sub>BR</sub><br>(Nom.) | V <sub>BR</sub><br>(Min.) | V <sub>BR</sub><br>(Max.) | V <sub>WM</sub> | V <sub>clamp</sub> | I <sub>R</sub> | I <sub>PP</sub> | T <sub>J</sub> max. | Package Description |
|-------------|----------------|-----------------|-----------|---------------------------|---------------------------|---------------------------|-----------------|--------------------|----------------|-----------------|---------------------|---------------------|
|             |                | (W)             | +/- (%)   | (V)                       | (V)                       | (V)                       | (V)             | (V)                | (μA)           | (A)             | (°C)                |                     |
| P4KE120     | Unidirectional | 400             | 10        | 120                       | 108                       | 132                       | 97.2            | 173                | 1              | 2.4             | 175                 | DO-41               |
| P4SMA120    | Unidirectional | 400             | 10        | 120                       | 108                       | 132                       | 97.2            | 173                | 1              | 2.4             | 150                 | SMA (DO-214AC)      |
| SMAJ100C    | Bidirectional  | 400             | -         | -                         | 111                       | 136                       | 100             | 179                | 1              | 1.7             | 150                 | SMA (DO-214AC)      |
| SMAJ100CA   | Bidirectional  | 400             | -         | -                         | 111                       | 123                       | 100             | 162                | 1              | 1.9             | 150                 | SMA (DO-214AC)      |
| SMAJ100     | Unidirectional | 400             | -         | -                         | 111                       | 136                       | 100             | 179                | 1              | 1.7             | 150                 | SMA (DO-214AC)      |
| SMAJ100A    | Unidirectional | 400             | -         | -                         | 111                       | 123                       | 100             | 162                | 1              | 1.9             | 150                 | SMA (DO-214AC)      |
| BZW04-102B  | Bidirectional  | 400             | -         | -                         | 114                       | 126                       | 102             | 165                | 1              | 2.4             | 175                 | DO-41               |
| P4KE120CA   | Bidirectional  | 400             | 5         | 120                       | 114                       | 126                       | 102             | 165                | 1              | 2.5             | 175                 | DO-41               |
| P4SMA120CA  | Bidirectional  | 400             | 5         | 120                       | 114                       | 126                       | 102             | 165                | 1              | 2.5             | 150                 | SMA (DO-214AC)      |
| BZW04-102   | Unidirectional | 400             | -         | -                         | 114                       | 126                       | 102             | 165                | 1              | 2.4             | 175                 | DO-41               |
| P4KE120A    | Unidirectional | 400             | 5         | 120                       | 114                       | 126                       | 102             | 165                | 1              | 2.5             | 175                 | DO-41               |
| P4SMA120A   | Unidirectional | 400             | 5         | 120                       | 114                       | 126                       | 102             | 165                | 1              | 2.5             | 150                 | SMA (DO-214AC)      |
| P4KE130C    | Bidirectional  | 400             | 10        | 130                       | 117                       | 143                       | 105             | 187                | 1              | 2.2             | 175                 | DO-41               |
| P4SMA130C   | Bidirectional  | 400             | 10        | 130                       | 117                       | 143                       | 105             | 187                | 1              | 2.2             | 150                 | SMA (DO-214AC)      |
| P4KE130     | Unidirectional | 400             | 10        | 130                       | 117                       | 143                       | 105             | 187                | 1              | 2.2             | 175                 | DO-41               |
| P4SMA130    | Unidirectional | 400             | 10        | 130                       | 117                       | 143                       | 105             | 187                | 1              | 2.2             | 150                 | SMA (DO-214AC)      |
| SMAJ110C    | Bidirectional  | 400             | -         | -                         | 122                       | 149                       | 110             | 196                | 1              | 1.6             | 150                 | SMA (DO-214AC)      |
| SMAJ110CA   | Bidirectional  | 400             | -         | -                         | 122                       | 135                       | 110             | 177                | 1              | 1.7             | 150                 | SMA (DO-214AC)      |
| SMAJ110     | Unidirectional | 400             | -         | -                         | 122                       | 149                       | 110             | 196                | 1              | 1.6             | 150                 | SMA (DO-214AC)      |
| SMAJ110A    | Unidirectional | 400             | -         | -                         | 122                       | 135                       | 110             | 177                | 1              | 1.7             | 150                 | SMA (DO-214AC)      |
| P4SMA130CA  | Bidirectional  | 400             | 5         | 130                       | 123.5                     | 136.5                     | 111             | 179                | 1              | 2.3             | 150                 | SMA (DO-214AC)      |
| P4SMA130A   | Unidirectional | 400             | 5         | 130                       | 123.5                     | 136.5                     | 111             | 179                | 1              | 2.3             | 150                 | SMA (DO-214AC)      |
| BZW04-110B  | Bidirectional  | 400             | -         | -                         | 124                       | 137                       | 111             | 179                | 1              | 2.2             | 175                 | DO-41               |
| P4KE130CA   | Bidirectional  | 400             | 5         | 130                       | 124                       | 137                       | 111             | 179                | 1              | 2.3             | 175                 | DO-41               |
| BZW04-110   | Unidirectional | 400             | -         | -                         | 124                       | 137                       | 111             | 179                | 1              | 2.2             | 175                 | DO-41               |
| P4KE130A    | Unidirectional | 400             | 5         | 130                       | 124                       | 137                       | 111             | 179                | 1              | 2.3             | 175                 | DO-41               |
| SMAJ120C    | Bidirectional  | 400             | -         | -                         | 133                       | 163                       | 120             | 214                | 1              | 1.4             | 150                 | SMA (DO-214AC)      |
| SMAJ120CA   | Bidirectional  | 400             | -         | -                         | 133                       | 147                       | 120             | 193                | 1              | 1.6             | 150                 | SMA (DO-214AC)      |
| SMAJ120     | Unidirectional | 400             | -         | -                         | 133                       | 163                       | 120             | 214                | 1              | 1.4             | 150                 | SMA (DO-214AC)      |
| SMAJ120A    | Unidirectional | 400             | -         | -                         | 133                       | 147                       | 120             | 193                | 1              | 1.6             | 150                 | SMA (DO-214AC)      |
| P4KE150C    | Bidirectional  | 400             | 10        | 150                       | 135                       | 165                       | 121             | 215                | 1              | 1.9             | 175                 | DO-41               |
| P4SMA150C   | Bidirectional  | 400             | 10        | 150                       | 135                       | 165                       | 121             | 215                | 1              | 1.9             | 150                 | SMA (DO-214AC)      |
| P4KE150     | Unidirectional | 400             | 10        | 150                       | 135                       | 165                       | 121             | 215                | 1              | 1.9             | 175                 | DO-41               |
| P4SMA150    | Unidirectional | 400             | 10        | 150                       | 135                       | 165                       | 121             | 215                | 1              | 1.9             | 150                 | SMA (DO-214AC)      |
| P4SMA150CA  | Bidirectional  | 400             | 5         | 150                       | 142.5                     | 157.5                     | 128             | 207                | 1              | 2               | 150                 | SMA (DO-214AC)      |
| P4SMA150A   | Unidirectional | 400             | 5         | 150                       | 142.5                     | 157.5                     | 128             | 207                | 1              | 2               | 150                 | SMA (DO-214AC)      |
| BZW04-128B  | Bidirectional  | 400             | -         | -                         | 143                       | 158                       | 128             | 207                | 1              | 2               | 175                 | DO-41               |
| P4KE150CA   | Bidirectional  | 400             | 5         | 150                       | 143                       | 158                       | 128             | 207                | 1              | 2               | 175                 | DO-41               |
| BZW04-128   | Unidirectional | 400             | -         | -                         | 143                       | 158                       | 128             | 207                | 1              | 2               | 175                 | DO-41               |
| P4KE150A    | Unidirectional | 400             | 5         | 150                       | 143                       | 158                       | 128             | 207                | 1              | 2               | 175                 | DO-41               |
| P4KE160C    | Bidirectional  | 400             | 10        | 160                       | 144                       | 176                       | 130             | 230                | 1              | 1.8             | 175                 | DO-41               |
| P4SMA160C   | Bidirectional  | 400             | 10        | 160                       | 144                       | 176                       | 130             | 230                | 1              | 1.8             | 150                 | SMA (DO-214AC)      |
| SMAJ130C    | Bidirectional  | 400             | -         | -                         | 144                       | 176                       | 130             | 231                | 1              | 1.3             | 150                 | SMA (DO-214AC)      |
| SMAJ130CA   | Bidirectional  | 400             | -         | -                         | 144                       | 159                       | 130             | 209                | 1              | 1.5             | 150                 | SMA (DO-214AC)      |
| P4KE160     | Unidirectional | 400             | 10        | 160                       | 144                       | 176                       | 130             | 230                | 1              | 1.8             | 175                 | DO-41               |
| P4SMA160    | Unidirectional | 400             | 10        | 160                       | 144                       | 176                       | 130             | 230                | 1              | 1.8             | 150                 | SMA (DO-214AC)      |

## DIODES - TVS

## DIODES - TVS

| Part Number | Family         | P <sub>PK</sub> | Tolerance | V <sub>BR</sub><br>(Nom.) | V <sub>BR</sub><br>(Min.) | V <sub>BR</sub><br>(Max.) | V <sub>WM</sub> | V <sub>clamp</sub> | I <sub>R</sub> | I <sub>PP</sub> | T <sub>J</sub> max. | Package Description |
|-------------|----------------|-----------------|-----------|---------------------------|---------------------------|---------------------------|-----------------|--------------------|----------------|-----------------|---------------------|---------------------|
|             |                | (W)             | +/- (%)   | (V)                       | (V)                       | (V)                       | (V)             | (V)                | (μA)           | (A)             | (°C)                |                     |
| SMAJ130     | Unidirectional | 400             | -         | -                         | 144                       | 176                       | 130             | 231                | 1              | 1.3             | 150                 | SMA (DO-214AC)      |
| SMAJ130A    | Unidirectional | 400             | -         | -                         | 144                       | 159                       | 130             | 209                | 1              | 1.5             | 150                 | SMA (DO-214AC)      |
| BZW04-136B  | Bidirectional  | 400             | -         | -                         | 152                       | 168                       | 136             | 219                | 1              | 1.8             | 175                 | DO-41               |
| P4KE160CA   | Bidirectional  | 400             | 5         | 160                       | 152                       | 168                       | 136             | 219                | 1              | 1.9             | 175                 | DO-41               |
| P4SMA160CA  | Bidirectional  | 400             | 5         | 160                       | 152                       | 168                       | 136             | 219                | 1              | 1.9             | 150                 | SMA (DO-214AC)      |
| BZW04-136   | Unidirectional | 400             | -         | -                         | 152                       | 168                       | 136             | 219                | 1              | 1.8             | 175                 | DO-41               |
| P4KE160A    | Unidirectional | 400             | 5         | 160                       | 152                       | 168                       | 136             | 219                | 1              | 1.9             | 175                 | DO-41               |
| P4SMA160A   | Unidirectional | 400             | 5         | 160                       | 152                       | 168                       | 136             | 219                | 1              | 1.9             | 150                 | SMA (DO-214AC)      |
| P4KE170C    | Bidirectional  | 400             | 10        | 170                       | 153                       | 187                       | 138             | 244                | 1              | 1.7             | 175                 | DO-41               |
| P4SMA170C   | Bidirectional  | 400             | 10        | 170                       | 153                       | 187                       | 138             | 244                | 1              | 1.7             | 150                 | SMA (DO-214AC)      |
| P4KE170     | Unidirectional | 400             | 10        | 170                       | 153                       | 187                       | 138             | 244                | 1              | 1.7             | 175                 | DO-41               |
| P4SMA170    | Unidirectional | 400             | 10        | 170                       | 153                       | 187                       | 138             | 244                | 1              | 1.7             | 150                 | SMA (DO-214AC)      |
| BZW04-145B  | Bidirectional  | 400             | -         | -                         | 161                       | 179                       | 145             | 234                | 1              | 1.7             | 175                 | DO-41               |
| BZW04-145   | Unidirectional | 400             | -         | -                         | 161                       | 179                       | 145             | 234                | 1              | 1.7             | 175                 | DO-41               |
| P4SMA170CA  | Bidirectional  | 400             | 5         | 170                       | 161.5                     | 178.5                     | 145             | 234                | 1              | 1.8             | 150                 | SMA (DO-214AC)      |
| P4SMA170A   | Unidirectional | 400             | 5         | 170                       | 161.5                     | 178.5                     | 145             | 234                | 1              | 1.8             | 150                 | SMA (DO-214AC)      |
| P4KE170CA   | Bidirectional  | 400             | 5         | 170                       | 162                       | 179                       | 145             | 234                | 1              | 1.8             | 175                 | DO-41               |
| P4KE180C    | Bidirectional  | 400             | 10        | 180                       | 162                       | 198                       | 146             | 258                | 1              | 1.6             | 175                 | DO-41               |
| P4SMA180C   | Bidirectional  | 400             | 10        | 180                       | 162                       | 198                       | 146             | 258                | 1              | 1.6             | 150                 | SMA (DO-214AC)      |
| P4KE170A    | Unidirectional | 400             | 5         | 170                       | 162                       | 179                       | 145             | 234                | 1              | 1.8             | 175                 | DO-41               |
| P4KE180     | Unidirectional | 400             | 10        | 180                       | 162                       | 198                       | 146             | 258                | 1              | 1.6             | 175                 | DO-41               |
| P4SMA180    | Unidirectional | 400             | 10        | 180                       | 162                       | 198                       | 146             | 258                | 1              | 1.6             | 150                 | SMA (DO-214AC)      |
| SMAJ150C    | Bidirectional  | 400             | -         | -                         | 167                       | 204                       | 150             | 266                | 1              | 1.1             | 150                 | SMA (DO-214AC)      |
| SMAJ150CA   | Bidirectional  | 400             | -         | -                         | 167                       | 185                       | 150             | 243                | 1              | 1.3             | 150                 | SMA (DO-214AC)      |
| SMAJ150     | Unidirectional | 400             | -         | -                         | 167                       | 204                       | 150             | 266                | 1              | 1.1             | 150                 | SMA (DO-214AC)      |
| SMAJ150A    | Unidirectional | 400             | -         | -                         | 167                       | 185                       | 150             | 243                | 1              | 1.3             | 150                 | SMA (DO-214AC)      |
| BZW04-154B  | Bidirectional  | 400             | -         | -                         | 171                       | 189                       | 154             | 246                | 1              | 1.6             | 175                 | DO-41               |
| P4KE180CA   | Bidirectional  | 400             | 5         | 180                       | 171                       | 189                       | 154             | 246                | 1              | 1.7             | 175                 | DO-41               |
| P4SMA180CA  | Bidirectional  | 400             | 5         | 180                       | 171                       | 189                       | 154             | 246                | 1              | 1.7             | 150                 | SMA (DO-214AC)      |
| BZW04-154   | Unidirectional | 400             | -         | -                         | 171                       | 189                       | 154             | 246                | 1              | 1.6             | 175                 | DO-41               |
| P4KE180A    | Unidirectional | 400             | 5         | 180                       | 171                       | 189                       | 154             | 246                | 1              | 1.7             | 175                 | DO-41               |
| P4SMA180A   | Unidirectional | 400             | 5         | 180                       | 171                       | 189                       | 154             | 246                | 1              | 1.7             | 150                 | SMA (DO-214AC)      |
| SMAJ160C    | Bidirectional  | 400             | -         | -                         | 178                       | 218                       | 160             | 287                | 1              | 1               | 150                 | SMA (DO-214AC)      |
| SMAJ160CA   | Bidirectional  | 400             | -         | -                         | 178                       | 197                       | 160             | 259                | 1              | 1.2             | 150                 | SMA (DO-214AC)      |
| SMAJ160     | Unidirectional | 400             | -         | -                         | 178                       | 218                       | 160             | 287                | 1              | 1               | 150                 | SMA (DO-214AC)      |
| SMAJ160A    | Unidirectional | 400             | -         | -                         | 178                       | 197                       | 160             | 259                | 1              | 1.2             | 150                 | SMA (DO-214AC)      |
| P4KE200C    | Bidirectional  | 400             | 10        | 200                       | 180                       | 220                       | 162             | 287                | 1              | 1.4             | 175                 | DO-41               |
| P4SMA200C   | Bidirectional  | 400             | 10        | 200                       | 180                       | 220                       | 162             | 287                | 1              | 1.4             | 150                 | SMA (DO-214AC)      |
| P4KE200     | Unidirectional | 400             | 10        | 200                       | 180                       | 220                       | 162             | 287                | 1              | 1.4             | 175                 | DO-41               |
| P4SMA200    | Unidirectional | 400             | 10        | 200                       | 180                       | 220                       | 162             | 287                | 1              | 1.4             | 150                 | SMA (DO-214AC)      |
| SMAJ188C    | Bidirectional  | 400             | -         | -                         | 188                       | 209                       | 188             | 344                | 1              | 0.9             | 150                 | SMA (DO-214AC)      |
| SMAJ188CA   | Bidirectional  | 400             | -         | -                         | 188                       | 209                       | 188             | 328                | 1              | 0.91            | 150                 | SMA (DO-214AC)      |
| SMAJ188     | Unidirectional | 400             | -         | -                         | 188                       | 209                       | 188             | 344                | 1              | 0.9             | 150                 | SMA (DO-214AC)      |
| SMAJ188A    | Unidirectional | 400             | -         | -                         | 188                       | 209                       | 188             | 328                | 1              | 0.91            | 150                 | SMA (DO-214AC)      |
| SMAJ170C    | Bidirectional  | 400             | -         | -                         | 189                       | 231                       | 170             | 304                | 1              | 1               | 150                 | SMA (DO-214AC)      |
| SMAJ170CA   | Bidirectional  | 400             | -         | -                         | 189                       | 209                       | 170             | 275                | 1              | 1.1             | 150                 | SMA (DO-214AC)      |

| Part Number | Family         | P <sub>PK</sub> | Tolerance | V <sub>BR</sub><br>(Nom.) | V <sub>BR</sub><br>(Min.) | V <sub>BR</sub><br>(Max.) | V <sub>WM</sub> | V <sub>clamp</sub> | I <sub>R</sub> | I <sub>PP</sub> | T <sub>J</sub> max. | Package Description |
|-------------|----------------|-----------------|-----------|---------------------------|---------------------------|---------------------------|-----------------|--------------------|----------------|-----------------|---------------------|---------------------|
|             |                | (W)             | +/- (%)   | (V)                       | (V)                       | (V)                       | (V)             | (V)                | (μA)           | (A)             | (°C)                |                     |
| SMAJ170     | Unidirectional | 400             | -         | -                         | 189                       | 231                       | 170             | 304                | 1              | 1               | 150                 | SMA (DO-214AC)      |
| SMAJ170A    | Unidirectional | 400             | -         | -                         | 189                       | 209                       | 170             | 275                | 1              | 1.1             | 150                 | SMA (DO-214AC)      |
| BZW04-171B  | Bidirectional  | 400             | -         | -                         | 190                       | 210                       | 171             | 274                | 1              | 1.5             | 175                 | DO-41               |
| P4KE200CA   | Bidirectional  | 400             | 5         | 200                       | 190                       | 210                       | 171             | 274                | 1              | 1.51            | 175                 | DO-41               |
| P4SMA200CA  | Bidirectional  | 400             | 5         | 200                       | 190                       | 210                       | 171             | 274                | 1              | 1.51            | 150                 | SMA (DO-214AC)      |
| BZW04-171   | Unidirectional | 400             | -         | -                         | 190                       | 210                       | 171             | 274                | 1              | 1.5             | 175                 | DO-41               |
| P4KE200A    | Unidirectional | 400             | 5         | 200                       | 190                       | 210                       | 171             | 274                | 1              | 1.51            | 175                 | DO-41               |
| P4SMA200A   | Unidirectional | 400             | 5         | 200                       | 190                       | 210                       | 171             | 274                | 1              | 1.51            | 150                 | SMA (DO-214AC)      |
| P4KE220C    | Bidirectional  | 400             | 10        | 220                       | 198                       | 242                       | 175             | 344                | 1              | 1.2             | 175                 | DO-41               |
| P4KE220     | Unidirectional | 400             | 10        | 220                       | 198                       | 242                       | 175             | 344                | 1              | 1.2             | 175                 | DO-41               |
| BZW04-188B  | Bidirectional  | 400             | -         | -                         | 209                       | 231                       | 188             | 301                | 1              | 1.4             | 175                 | DO-41               |
| P4KE220CA   | Bidirectional  | 400             | 5         | 220                       | 209                       | 231                       | 185             | 328                | 1              | 1.3             | 175                 | DO-41               |
| BZW04-188   | Unidirectional | 400             | -         | -                         | 209                       | 231                       | 188             | 301                | 1              | 1.4             | 175                 | DO-41               |
| P4KE220A    | Unidirectional | 400             | 5         | 220                       | 209                       | 231                       | 185             | 328                | 1              | 1.3             | 175                 | DO-41               |
| P4SMA220A   | Unidirectional | 400             | 5         | 220                       | 209                       | 231                       | 185             | 328                | 1              | 1.3             | 150                 | SMA (DO-214AC)      |
| SMAJ220A    | Unidirectional | 400             | -         | -                         | 209                       | 231                       | 220             | 356                | 1              | 1.1             | 150                 | SMA (DO-214AC)      |
| SMAJ200A    | Unidirectional | 400             | -         | -                         | 224                       | 247                       | 200             | 324                | 1              | 1.2             | 150                 | SMA (DO-214AC)      |
| P4KE250C    | Bidirectional  | 400             | 10        | 250                       | 225                       | 275                       | 202             | 360                | 1              | 1.1             | 175                 | DO-41               |
| P4KE250     | Unidirectional | 400             | 10        | 250                       | 225                       | 275                       | 202             | 360                | 1              | 1.1             | 175                 | DO-41               |
| BZW04-213B  | Bidirectional  | 400             | -         | -                         | 237                       | 263                       | 213             | 344                | 1              | 1.2             | 175                 | DO-41               |
| P4KE250CA   | Bidirectional  | 400             | 5         | 250                       | 237                       | 263                       | 214             | 344                | 1              | 1.2             | 175                 | DO-41               |
| BZW04-213   | Unidirectional | 400             | -         | -                         | 237                       | 263                       | 213             | 344                | 1              | 1.2             | 175                 | DO-41               |
| P4KE250A    | Unidirectional | 400             | 5         | 250                       | 237                       | 263                       | 214             | 344                | 1              | 1.2             | 175                 | DO-41               |
| P4SMA250A   | Unidirectional | 400             | 5         | 250                       | 237                       | 263                       | 214             | 344                | 1              | 1.2             | 150                 | SMA (DO-214AC)      |
| SMAJ250A    | Unidirectional | 400             | -         | -                         | 237                       | 263                       | 250             | 405                | 1              | 1               | 150                 | SMA (DO-214AC)      |
| BZW04-239B  | Bidirectional  | 400             | -         | -                         | 266                       | 294                       | 239             | 384                | 1              | 1.1             | 175                 | DO-41               |
| BZW04-239   | Unidirectional | 400             | -         | -                         | 266                       | 294                       | 239             | 384                | 1              | 1.1             | 175                 | DO-41               |
| P4KE300C    | Bidirectional  | 400             | 10        | 300                       | 270                       | 330                       | 243             | 430                | 1              | 0.97            | 175                 | DO-41               |
| P4KE300     | Unidirectional | 400             | 10        | 300                       | 270                       | 330                       | 243             | 430                | 1              | 0.97            | 175                 | DO-41               |
| BZW04-256B  | Bidirectional  | 400             | -         | -                         | 285                       | 315                       | 256             | 414                | 1              | 1               | 175                 | DO-41               |
| P4KE300CA   | Bidirectional  | 400             | 5         | 300                       | 285                       | 315                       | 256             | 414                | 1              | 1               | 175                 | DO-41               |
| BZW04-256   | Unidirectional | 400             | -         | -                         | 285                       | 315                       | 256             | 414                | 1              | 1               | 175                 | DO-41               |
| P4KE300A    | Unidirectional | 400             | 5         | 300                       | 285                       | 315                       | 256             | 414                | 1              | 1               | 175                 | DO-41               |
| P4SMA300A   | Unidirectional | 400             | 5         | 300                       | 285                       | 315                       | 256             | 414                | 1              | 1               | 150                 | SMA (DO-214AC)      |
| SMAJ300A    | Unidirectional | 400             | -         | -                         | 285                       | 315                       | 300             | 486                | 1              | 0.8             | 150                 | SMA (DO-214AC)      |
| BZW04-273B  | Bidirectional  | 400             | -         | -                         | 304                       | 336                       | 273             | 438                | 1              | 0.9             | 175                 | DO-41               |
| BZW04-273   | Unidirectional | 400             | -         | -                         | 304                       | 336                       | 273             | 438                | 1              | 0.9             | 175                 | DO-41               |
| P4KE350C    | Bidirectional  | 400             | 10        | 350                       | 315                       | 385                       | 284             | 504                | 1              | 0.83            | 175                 | DO-41               |
| P4KE350     | Unidirectional | 400             | 10        | 350                       | 315                       | 385                       | 284             | 504                | 1              | 0.83            | 175                 | DO-41               |
| BZW04-299B  | Bidirectional  | 400             | -         | -                         | 332                       | 368                       | 299             | 482                | 1              | 0.8             | 175                 | DO-41               |
| BZW04-299   | Unidirectional | 400             | -         | -                         | 332                       | 368                       | 299             | 482                | 1              | 0.8             | 175                 | DO-41               |
| P4KE350A    | Unidirectional | 400             | 5         | 350                       | 332                       | 368                       | 300             | 482                | 1              | 0.87            | 175                 | DO-41               |
| P4SMA350A   | Unidirectional | 400             | 5         | 350                       | 332                       | 368                       | 300             | 482                | 1              | 0.9             | 150                 | SMA (DO-214AC)      |
| SMAJ350A    | Unidirectional | 400             | -         | -                         | 332                       | 368                       | 350             | 567                | 1              | 0.7             | 150                 | SMA (DO-214AC)      |
| P4KE350CA   | Bidirectional  | 400             | 5         | 350                       | 333                       | 368                       | 300             | 482                | 1              | 0.87            | 175                 | DO-41               |
| P4KE400C    | Bidirectional  | 400             | 10        | 400                       | 360                       | 440                       | 324             | 574                | 1              | 0.73            | 175                 | DO-41               |

## DIODES - TVS

| Part Number | Family         | P <sub>PK</sub> | Tolerance | V <sub>BR</sub><br>(Nom.) | V <sub>BR</sub><br>(Min.) | V <sub>BR</sub><br>(Max.) | V <sub>WM</sub> | V <sub>clamp</sub> | I <sub>R</sub> | I <sub>PP</sub> | T <sub>J</sub> max. | Package Description |
|-------------|----------------|-----------------|-----------|---------------------------|---------------------------|---------------------------|-----------------|--------------------|----------------|-----------------|---------------------|---------------------|
|             |                | (W)             | +/- (%)   | (V)                       | (V)                       | (V)                       | (V)             | (V)                | (μA)           | (A)             | (°C)                |                     |
| P4KE400     | Unidirectional | 400             | 10        | 400                       | 360                       | 440                       | 324             | 574                | 1              | 0.73            | 175                 | DO-41               |
| BZW04-342B  | Bidirectional  | 400             | -         | -                         | 380                       | 420                       | 342             | 548                | 1              | 0.75            | 175                 | DO-41               |
| P4KE400CA   | Bidirectional  | 400             | 5         | 400                       | 380                       | 420                       | 342             | 548                | 1              | 0.76            | 175                 | DO-41               |
| BZW04-342   | Unidirectional | 400             | -         | -                         | 380                       | 420                       | 342             | 548                | 1              | 0.75            | 175                 | DO-41               |
| P4KE400A    | Unidirectional | 400             | 5         | 400                       | 380                       | 420                       | 342             | 548                | 1              | 0.76            | 175                 | DO-41               |
| P4SMA400A   | Unidirectional | 400             | 5         | 400                       | 380                       | 420                       | 342             | 548                | 1              | 0.8             | 150                 | SMA (DO-214AC)      |
| SMAJ400A    | Unidirectional | 400             | -         | -                         | 380                       | 420                       | 400             | 648                | 1              | 0.6             | 150                 | SMA (DO-214AC)      |
| P4KE440C    | Bidirectional  | 400             | 10        | 440                       | 396                       | 484                       | 356             | 631                | 1              | 0.66            | 175                 | DO-41               |
| P4KE440     | Unidirectional | 400             | 10        | 440                       | 396                       | 484                       | 356             | 631                | 1              | 0.66            | 175                 | DO-41               |
| BZW04-376B  | Bidirectional  | 400             | -         | -                         | 418                       | 462                       | 376             | 603                | 1              | 0.67            | 175                 | DO-41               |
| P4KE440CA   | Bidirectional  | 400             | 5         | 440                       | 418                       | 462                       | 376             | 600                | 1              | 0.69            | 175                 | DO-41               |
| BZW04-376   | Unidirectional | 400             | -         | -                         | 418                       | 462                       | 376             | 603                | 1              | 0.67            | 175                 | DO-41               |
| P4KE440A    | Unidirectional | 400             | 5         | 440                       | 418                       | 462                       | 376             | 600                | 1              | 0.69            | 175                 | DO-41               |
| SA5.0C      | Bidirectional  | 500             | -         | -                         | 6.4                       | 7.3                       | 5               | 9.6                | 600            | 54              | 175                 | DO-15               |
| SA5.0CA     | Bidirectional  | 500             | -         | -                         | 6.4                       | 7                         | 5               | 9.2                | 600            | 57              | 175                 | DO-15               |
| SA5.0       | Unidirectional | 500             | -         | -                         | 6.4                       | 7.3                       | 5               | 9.6                | 600            | 54              | 175                 | DO-15               |
| SA5.0A      | Unidirectional | 500             | -         | -                         | 6.4                       | 7                         | 5               | 9.2                | 600            | 57              | 175                 | DO-15               |
| SA6.0C      | Bidirectional  | 500             | -         | -                         | 6.67                      | 8.15                      | 6               | 11.4               | 600            | 46              | 175                 | DO-15               |
| SA6.0CA     | Bidirectional  | 500             | -         | -                         | 6.67                      | 7.37                      | 6               | 10.3               | 600            | 50              | 175                 | DO-15               |
| SA6.0       | Unidirectional | 500             | -         | -                         | 6.67                      | 8.15                      | 6               | 11.4               | 600            | 46              | 175                 | DO-15               |
| SA6.0A      | Unidirectional | 500             | -         | -                         | 6.67                      | 7.37                      | 6               | 10.3               | 600            | 50              | 175                 | DO-15               |
| SA6.5C      | Bidirectional  | 500             | -         | -                         | 7.22                      | 8.82                      | 6.5             | 12.3               | 400            | 42              | 175                 | DO-15               |
| SA6.5CA     | Bidirectional  | 500             | -         | -                         | 7.22                      | 7.98                      | 6.5             | 11.2               | 400            | 46              | 175                 | DO-15               |
| SA6.5       | Unidirectional | 500             | -         | -                         | 7.22                      | 8.82                      | 6.5             | 12.3               | 400            | 42              | 175                 | DO-15               |
| SA6.5A      | Unidirectional | 500             | -         | -                         | 7.22                      | 7.98                      | 6.5             | 11.2               | 400            | 46              | 175                 | DO-15               |
| SA7.0C      | Bidirectional  | 500             | -         | -                         | 7.78                      | 9.51                      | 7               | 13.3               | 150            | 39              | 175                 | DO-15               |
| SA7.0CA     | Bidirectional  | 500             | -         | -                         | 7.78                      | 8.6                       | 7               | 12                 | 150            | 43              | 175                 | DO-15               |
| SA7.0       | Unidirectional | 500             | -         | -                         | 7.78                      | 9.51                      | 7               | 13.3               | 150            | 39              | 175                 | DO-15               |
| SA7.0A      | Unidirectional | 500             | -         | -                         | 7.78                      | 8.6                       | 7               | 12                 | 150            | 43              | 175                 | DO-15               |
| SA7.5C      | Bidirectional  | 500             | -         | -                         | 8.33                      | 10.2                      | 7.5             | 14.3               | 50             | 36              | 175                 | DO-15               |
| SA7.5CA     | Bidirectional  | 500             | -         | -                         | 8.33                      | 9.21                      | 7.5             | 12.9               | 50             | 40              | 175                 | DO-15               |
| SA7.5       | Unidirectional | 500             | -         | -                         | 8.33                      | 10.2                      | 7.5             | 14.3               | 50             | 36              | 175                 | DO-15               |
| SA7.5A      | Unidirectional | 500             | -         | -                         | 8.33                      | 9.21                      | 7.5             | 12.9               | 50             | 40              | 175                 | DO-15               |
| SA8.0C      | Bidirectional  | 500             | -         | -                         | 8.89                      | 10.9                      | 8               | 15                 | 25             | 35              | 175                 | DO-15               |
| SA8.0CA     | Bidirectional  | 500             | -         | -                         | 8.89                      | 9.83                      | 8               | 13.6               | 25             | 38              | 175                 | DO-15               |
| SA8.0       | Unidirectional | 500             | -         | -                         | 8.89                      | 10.9                      | 8               | 15                 | 25             | 35              | 175                 | DO-15               |
| SA8.0A      | Unidirectional | 500             | -         | -                         | 8.89                      | 9.83                      | 8               | 13.6               | 25             | 38              | 175                 | DO-15               |
| SA8.5C      | Bidirectional  | 500             | -         | -                         | 9.44                      | 11.5                      | 8.5             | 15.9               | 10             | 33              | 175                 | DO-15               |
| SA8.5CA     | Bidirectional  | 500             | -         | -                         | 9.44                      | 10.4                      | 8.5             | 14.4               | 10             | 36              | 175                 | DO-15               |
| SA8.5       | Unidirectional | 500             | -         | -                         | 9.44                      | 11.5                      | 8.5             | 15.9               | 10             | 33              | 175                 | DO-15               |
| SA8.5A      | Unidirectional | 500             | -         | -                         | 9.44                      | 10.4                      | 8.5             | 14.4               | 10             | 36              | 175                 | DO-15               |
| SA9.0C      | Bidirectional  | 500             | -         | -                         | 10                        | 12.2                      | 9               | 16.9               | 5              | 31              | 175                 | DO-15               |
| SA9.0CA     | Bidirectional  | 500             | -         | -                         | 10                        | 11.1                      | 9               | 15.4               | 5              | 34              | 175                 | DO-15               |
| SA9.0       | Unidirectional | 500             | -         | -                         | 10                        | 12.2                      | 9               | 16.9               | 5              | 31              | 175                 | DO-15               |
| SA9.0A      | Unidirectional | 500             | -         | -                         | 10                        | 11.1                      | 9               | 15.4               | 5              | 34              | 175                 | DO-15               |
| SA10C       | Bidirectional  | 500             | -         | -                         | 11.1                      | 13.6                      | 10              | 18.8               | 1              | 27              | 175                 | DO-15               |

## DIODES - TVS

| Part Number | Family         | P <sub>PK</sub> | Tolerance | V <sub>BR</sub><br>(Nom.) | V <sub>BR</sub><br>(Min.) | V <sub>BR</sub><br>(Max.) | V <sub>WM</sub> | V <sub>clamp</sub> | I <sub>R</sub> | I <sub>PP</sub> | T <sub>J</sub> max. | Package Description |
|-------------|----------------|-----------------|-----------|---------------------------|---------------------------|---------------------------|-----------------|--------------------|----------------|-----------------|---------------------|---------------------|
|             |                | (W)             | +/- (%)   | (V)                       | (V)                       | (V)                       | (V)             | (V)                | (μA)           | (A)             | (°C)                |                     |
| SA10CA      | Bidirectional  | 500             | -         | -                         | 11.1                      | 12.3                      | 10              | 17                 | 1              | 30              | 175                 | DO-15               |
| SA10        | Unidirectional | 500             | -         | -                         | 11.1                      | 13.6                      | 10              | 18.8               | 1              | 27              | 175                 | DO-15               |
| SA10A       | Unidirectional | 500             | -         | -                         | 11.1                      | 12.3                      | 10              | 17                 | 1              | 30              | 175                 | DO-15               |
| SA11C       | Bidirectional  | 500             | -         | -                         | 12.2                      | 14.9                      | 11              | 20.1               | 1              | 26              | 175                 | DO-15               |
| SA11CA      | Bidirectional  | 500             | -         | -                         | 12.2                      | 13.5                      | 11              | 18.2               | 1              | 28              | 175                 | DO-15               |
| SA11        | Unidirectional | 500             | -         | -                         | 12.2                      | 14.9                      | 11              | 20.1               | 1              | 26              | 175                 | DO-15               |
| SA11A       | Unidirectional | 500             | -         | -                         | 12.2                      | 13.5                      | 11              | 18.2               | 1              | 28              | 175                 | DO-15               |
| SA12C       | Bidirectional  | 500             | -         | -                         | 13.3                      | 16.3                      | 12              | 22                 | 1              | 23              | 175                 | DO-15               |
| SA12CA      | Bidirectional  | 500             | -         | -                         | 13.3                      | 14.7                      | 12              | 19.9               | 1              | 26.3            | 175                 | DO-15               |
| SA12        | Unidirectional | 500             | -         | -                         | 13.3                      | 16.3                      | 12              | 22                 | 1              | 23              | 175                 | DO-15               |
| SA12A       | Unidirectional | 500             | -         | -                         | 13.3                      | 14.7                      | 12              | 19.9               | 1              | 26.3            | 175                 | DO-15               |
| SA13C       | Bidirectional  | 500             | -         | -                         | 14.4                      | 17.6                      | 13              | 23.8               | 1              | 22              | 175                 | DO-15               |
| SA13CA      | Bidirectional  | 500             | -         | -                         | 14.4                      | 15.9                      | 13              | 21.5               | 1              | 24              | 175                 | DO-15               |
| SA13        | Unidirectional | 500             | -         | -                         | 14.4                      | 17.6                      | 13              | 23.8               | 1              | 22              | 175                 | DO-15               |
| SA13A       | Unidirectional | 500             | -         | -                         | 14.4                      | 15.9                      | 13              | 21.5               | 1              | 24              | 175                 | DO-15               |
| SA14C       | Bidirectional  | 500             | -         | -                         | 15.6                      | 19.1                      | 14              | 25.8               | 1              | 20.3            | 175                 | DO-15               |
| SA14CA      | Bidirectional  | 500             | -         | -                         | 15.6                      | 17.2                      | 14              | 23.2               | 1              | 22.6            | 175                 | DO-15               |
| SA14        | Unidirectional | 500             | -         | -                         | 15.6                      | 19.1                      | 14              | 25.8               | 1              | 20.3            | 175                 | DO-15               |
| SA14A       | Unidirectional | 500             | -         | -                         | 15.6                      | 17.2                      | 14              | 23.2               | 1              | 22.6            | 175                 | DO-15               |
| SA15C       | Bidirectional  | 500             | -         | -                         | 16.7                      | 20.4                      | 15              | 26.9               | 1              | 19.5            | 175                 | DO-15               |
| SA15CA      | Bidirectional  | 500             | -         | -                         | 16.7                      | 18.5                      | 15              | 24.4               | 1              | 21              | 175                 | DO-15               |
| SA15        | Unidirectional | 500             | -         | -                         | 16.7                      | 20.4                      | 15              | 26.9               | 1              | 19.5            | 175                 | DO-15               |
| SA15A       | Unidirectional | 500             | -         | -                         | 16.7                      | 18.5                      | 15              | 24.4               | 1              | 21              | 175                 | DO-15               |
| SA16C       | Bidirectional  | 500             | -         | -                         | 17.8                      | 21.8                      | 16              | 28.8               | 1              | 18              | 175                 | DO-15               |
| SA16CA      | Bidirectional  | 500             | -         | -                         | 17.8                      | 19.7                      | 16              | 26                 | 1              | 20              | 175                 | DO-15               |
| SA16        | Unidirectional | 500             | -         | -                         | 17.8                      | 21.8                      | 16              | 28.8               | 1              | 18              | 175                 | DO-15               |
| SA16A       | Unidirectional | 500             | -         | -                         | 17.8                      | 19.7                      | 16              | 26                 | 1              | 20              | 175                 | DO-15               |
| SA17C       | Bidirectional  | 500             | -         | -                         | 18.9                      | 23.1                      | 17              | 30.5               | 1              | 17              | 175                 | DO-15               |
| SA17CA      | Bidirectional  | 500             | -         | -                         | 18.9                      | 20.9                      | 17              | 27.7               | 1              | 19              | 175                 | DO-15               |
| SA17        | Unidirectional | 500             | -         | -                         | 18.9                      | 23.1                      | 17              | 30.5               | 1              | 17              | 175                 | DO-15               |
| SA17A       | Unidirectional | 500             | -         | -                         | 18.9                      | 20.9                      | 17              | 27.7               | 1              | 19              | 175                 | DO-15               |
| SA20C       | Bidirectional  | 500             | -         | -                         | 22.2                      | 27.1                      | 20              | 35.5               | 1              | 14              | 175                 | DO-15               |
| SA20CA      | Bidirectional  | 500             | -         | -                         | 22.2                      | 24.5                      | 20              | 43                 | 1              | 16              | 175                 | DO-15               |
| SA20        | Unidirectional | 500             | -         | -                         | 22.2                      | 27.1                      | 20              | 35.5               | 1              | 14              | 175                 | DO-15               |
| SA20A       | Unidirectional | 500             | -         | -                         | 22.2                      | 24.5                      | 20              | 43                 | 1              | 16              | 175                 | DO-15               |
| SA22C       | Bidirectional  | 500             | -         | -                         | 24.4                      | 29.8                      | 22              | 38.9               | 1              | 13              | 175                 | DO-15               |
| SA22CA      | Bidirectional  | 500             | -         | -                         | 24.4                      | 26.9                      | 22              | 46.6               | 1              | 14.7            | 175                 | DO-15               |
| SA22        | Unidirectional | 500             | -         | -                         | 24.4                      | 29.8                      | 22              | 38.9               | 1              | 13              | 175                 | DO-15               |
| SA22A       | Unidirectional | 500             | -         | -                         | 24.4                      | 26.9                      | 22              | 46.6               | 1              | 14.7            | 175                 | DO-15               |
| SA24C       | Bidirectional  | 500             | -         | -                         | 26.7                      | 32.6                      | 24              | 42.1               | 1              | 12              | 175                 | DO-15               |
| SA24CA      | Bidirectional  | 500             | -         | -                         | 26.7                      | 29.5                      | 24              | 50.1               | 1              | 13.4            | 175                 | DO-15               |
| SA24        | Unidirectional | 500             | -         | -                         | 26.7                      | 32.6                      | 24              | 42.1               | 1              | 12              | 175                 | DO-15               |
| SA24A       | Unidirectional | 500             | -         | -                         | 26.7                      | 29.5                      | 24              | 50.1               | 1              | 13.4            | 175                 | DO-15               |
| SA26C       | Bidirectional  | 500             | -         | -                         | 28.9                      | 35.3                      | 26              | 45.4               | 1              | 11              | 175                 | DO-15               |
| SA26CA      | Bidirectional  | 500             | -         | -                         | 28.9                      | 31.9                      | 26              | 53.5               | 1              | 12.4            | 175                 | DO-15               |
| SA26        | Unidirectional | 500             | -         | -                         | 28.9                      | 35.3                      | 26              | 45.4               | 1              | 11              | 175                 | DO-15               |



## DIODES - TVS

| Part Number | Family         | P <sub>PK</sub> | Tolerance | V <sub>BR</sub><br>(Nom.) | V <sub>BR</sub><br>(Min.) | V <sub>BR</sub><br>(Max.) | V <sub>WM</sub> | V <sub>clamp</sub> | I <sub>R</sub> | I <sub>PP</sub> | T <sub>J</sub> max. | Package Description |
|-------------|----------------|-----------------|-----------|---------------------------|---------------------------|---------------------------|-----------------|--------------------|----------------|-----------------|---------------------|---------------------|
|             |                | (W)             | +/- (%)   | (V)                       | (V)                       | (V)                       | (V)             | (V)                | (μA)           | (A)             | (°C)                |                     |
| SA26A       | Unidirectional | 500             | -         | -                         | 28.9                      | 31.9                      | 26              | 53.5               | 1              | 12.4            | 175                 | DO-15               |
| SA28C       | Bidirectional  | 500             | -         | -                         | 31.1                      | 38                        | 28              | 48.4               | 1              | 10              | 175                 | DO-15               |
| SA28CA      | Bidirectional  | 500             | -         | -                         | 31.1                      | 34.4                      | 28              | 59                 | 1              | 11.5            | 175                 | DO-15               |
| SA28        | Unidirectional | 500             | -         | -                         | 31.1                      | 38                        | 28              | 48.4               | 1              | 10              | 175                 | DO-15               |
| SA28A       | Unidirectional | 500             | -         | -                         | 31.1                      | 34.4                      | 28              | 59                 | 1              | 11.5            | 175                 | DO-15               |
| SA30C       | Bidirectional  | 500             | -         | -                         | 33.3                      | 40.7                      | 30              | 53.3               | 1              | 9.8             | 175                 | DO-15               |
| SA30CA      | Bidirectional  | 500             | -         | -                         | 33.3                      | 36.8                      | 30              | 64.3               | 1              | 10.8            | 175                 | DO-15               |
| SA30        | Unidirectional | 500             | -         | -                         | 33.3                      | 40.7                      | 30              | 53.3               | 1              | 9.8             | 175                 | DO-15               |
| SA30A       | Unidirectional | 500             | -         | -                         | 33.3                      | 36.8                      | 30              | 64.3               | 1              | 10.8            | 175                 | DO-15               |
| SA33C       | Bidirectional  | 500             | -         | -                         | 36.7                      | 44.9                      | 33              | 58.1               | 1              | 8.8             | 175                 | DO-15               |
| SA33CA      | Bidirectional  | 500             | -         | -                         | 36.7                      | 40.6                      | 33              | 71.4               | 1              | 9.8             | 175                 | DO-15               |
| SA33        | Unidirectional | 500             | -         | -                         | 36.7                      | 44.9                      | 33              | 58.1               | 1              | 8.8             | 175                 | DO-15               |
| SA33A       | Unidirectional | 500             | -         | -                         | 36.7                      | 40.6                      | 33              | 71.4               | 1              | 9.8             | 175                 | DO-15               |
| SA36C       | Bidirectional  | 500             | -         | -                         | 40                        | 48.9                      | 36              | 64.5               | 1              | 8.1             | 175                 | DO-15               |
| SA36CA      | Bidirectional  | 500             | -         | -                         | 40                        | 44.2                      | 36              | 58.1               | 1              | 9               | 175                 | DO-15               |
| SA36        | Unidirectional | 500             | -         | -                         | 40                        | 48.9                      | 36              | 64.5               | 1              | 8.1             | 175                 | DO-15               |
| SA36A       | Unidirectional | 500             | -         | -                         | 40                        | 44.2                      | 36              | 58.1               | 1              | 9               | 175                 | DO-15               |
| SA40C       | Bidirectional  | 500             | -         | -                         | 44.4                      | 54.3                      | 40              | 71.4               | 1              | 7.3             | 175                 | DO-15               |
| SA40CA      | Bidirectional  | 500             | -         | -                         | 44.4                      | 49.1                      | 40              | 64.5               | 1              | 8.1             | 175                 | DO-15               |
| SA40        | Unidirectional | 500             | -         | -                         | 44.4                      | 54.3                      | 40              | 71.4               | 1              | 7.3             | 175                 | DO-15               |
| SA40A       | Unidirectional | 500             | -         | -                         | 44.4                      | 49.1                      | 40              | 64.5               | 1              | 8.1             | 175                 | DO-15               |
| SA43C       | Bidirectional  | 500             | -         | -                         | 47.8                      | 58.4                      | 43              | 76.7               | 1              | 6.8             | 175                 | DO-15               |
| SA43CA      | Bidirectional  | 500             | -         | -                         | 47.8                      | 52.8                      | 43              | 69.4               | 1              | 7.5             | 175                 | DO-15               |
| SA43        | Unidirectional | 500             | -         | -                         | 47.8                      | 58.4                      | 43              | 76.7               | 1              | 6.8             | 175                 | DO-15               |
| SA43A       | Unidirectional | 500             | -         | -                         | 47.8                      | 52.8                      | 43              | 69.4               | 1              | 7.5             | 175                 | DO-15               |
| SA45C       | Bidirectional  | 500             | -         | -                         | 50                        | 61.1                      | 45              | 80.3               | 1              | 6.5             | 175                 | DO-15               |
| SA45CA      | Bidirectional  | 500             | -         | -                         | 50                        | 55.3                      | 45              | 72.7               | 1              | 7.2             | 175                 | DO-15               |
| SA45        | Unidirectional | 500             | -         | -                         | 50                        | 61.1                      | 45              | 80.3               | 1              | 6.5             | 175                 | DO-15               |
| SA45A       | Unidirectional | 500             | -         | -                         | 50                        | 55.3                      | 45              | 72.7               | 1              | 7.2             | 175                 | DO-15               |
| SA48C       | Bidirectional  | 500             | -         | -                         | 53.3                      | 65.2                      | 48              | 85.5               | 1              | 6.1             | 175                 | DO-15               |
| SA48CA      | Bidirectional  | 500             | -         | -                         | 53.3                      | 58.9                      | 48              | 77.4               | 1              | 6.7             | 175                 | DO-15               |
| SA48        | Unidirectional | 500             | -         | -                         | 53.3                      | 65.2                      | 48              | 85.5               | 1              | 6.1             | 175                 | DO-15               |
| SA48A       | Unidirectional | 500             | -         | -                         | 53.3                      | 58.9                      | 48              | 77.4               | 1              | 6.7             | 175                 | DO-15               |
| SA51C       | Bidirectional  | 500             | -         | -                         | 56.7                      | 69.3                      | 51              | 91.1               | 1              | 5.7             | 175                 | DO-15               |
| SA51CA      | Bidirectional  | 500             | -         | -                         | 56.7                      | 62.7                      | 51              | 82.4               | 1              | 6.3             | 175                 | DO-15               |
| SA51        | Unidirectional | 500             | -         | -                         | 56.7                      | 69.3                      | 51              | 91.1               | 1              | 5.7             | 175                 | DO-15               |
| SA51A       | Unidirectional | 500             | -         | -                         | 56.7                      | 62.7                      | 51              | 82.4               | 1              | 6.3             | 175                 | DO-15               |
| SA54C       | Bidirectional  | 500             | -         | -                         | 60                        | 73.3                      | 54              | 86.3               | 1              | 5.4             | 175                 | DO-15               |
| SA54CA      | Bidirectional  | 500             | -         | -                         | 60                        | 66.3                      | 54              | 87.1               | 1              | 6               | 175                 | DO-15               |
| SA54        | Unidirectional | 500             | -         | -                         | 60                        | 73.3                      | 54              | 86.3               | 1              | 5.4             | 175                 | DO-15               |
| SA54A       | Unidirectional | 500             | -         | -                         | 60                        | 66.3                      | 54              | 87.1               | 1              | 6               | 175                 | DO-15               |
| SA58C       | Bidirectional  | 500             | -         | -                         | 64.4                      | 78.7                      | 58              | 103                | 1              | 5               | 175                 | DO-15               |
| SA58CA      | Bidirectional  | 500             | -         | -                         | 64.4                      | 71.2                      | 58              | 103                | 1              | 5               | 175                 | DO-15               |
| SA58        | Unidirectional | 500             | -         | -                         | 64.4                      | 78.7                      | 58              | 103                | 1              | 5               | 175                 | DO-15               |
| SA58A       | Unidirectional | 500             | -         | -                         | 64.4                      | 71.2                      | 58              | 93.6               | 1              | 5.6             | 175                 | DO-15               |
| SA60C       | Bidirectional  | 500             | -         | -                         | 66.7                      | 81.5                      | 60              | 107                | 1              | 4.9             | 175                 | DO-15               |

## DIODES - TVS

| Part Number | Family         | P <sub>PK</sub> | Tolerance | V <sub>BR</sub><br>(Nom.) | V <sub>BR</sub><br>(Min.) | V <sub>BR</sub><br>(Max.) | V <sub>WM</sub> | V <sub>clamp</sub> | I <sub>R</sub> | I <sub>PP</sub> | T <sub>J</sub> max. | Package Description |
|-------------|----------------|-----------------|-----------|---------------------------|---------------------------|---------------------------|-----------------|--------------------|----------------|-----------------|---------------------|---------------------|
|             |                | (W)             | +/- (%)   | (V)                       | (V)                       | (V)                       | (V)             | (V)                | (μA)           | (A)             | (°C)                |                     |
| SA60CA      | Bidirectional  | 500             | -         | -                         | 66.7                      | 73.7                      | 60              | 96.8               | 1              | 5.4             | 175                 | DO-15               |
| SA60        | Unidirectional | 500             | -         | -                         | 66.7                      | 81.5                      | 60              | 107                | 1              | 4.9             | 175                 | DO-15               |
| SA60A       | Unidirectional | 500             | -         | -                         | 66.7                      | 73.7                      | 60              | 96.8               | 1              | 5.4             | 175                 | DO-15               |
| SA64C       | Bidirectional  | 500             | -         | -                         | 71.1                      | 86.9                      | 64              | 114                | 1              | 4.6             | 175                 | DO-15               |
| SA64CA      | Bidirectional  | 500             | -         | -                         | 71.1                      | 78.6                      | 64              | 103                | 1              | 5               | 175                 | DO-15               |
| SA64        | Unidirectional | 500             | -         | -                         | 71.1                      | 86.9                      | 64              | 114                | 1              | 4.6             | 175                 | DO-15               |
| SA64A       | Unidirectional | 500             | -         | -                         | 71.1                      | 78.6                      | 64              | 103                | 1              | 5               | 175                 | DO-15               |
| SA70C       | Bidirectional  | 500             | -         | -                         | 77.8                      | 95.1                      | 70              | 125                | 1              | 4.2             | 175                 | DO-15               |
| SA70CA      | Bidirectional  | 500             | -         | -                         | 77.8                      | 86                        | 70              | 113                | 1              | 4.6             | 175                 | DO-15               |
| SA70        | Unidirectional | 500             | -         | -                         | 77.8                      | 95.1                      | 70              | 125                | 1              | 4.2             | 175                 | DO-15               |
| SA70A       | Unidirectional | 500             | -         | -                         | 77.8                      | 86                        | 70              | 113                | 1              | 4.6             | 175                 | DO-15               |
| SA78C       | Bidirectional  | 500             | -         | -                         | 86.7                      | 103                       | 78              | 139                | 1              | 3.7             | 175                 | DO-15               |
| SA78CA      | Bidirectional  | 500             | -         | -                         | 86.7                      | 95.8                      | 78              | 126                | 1              | 4.1             | 175                 | DO-15               |
| SA78        | Unidirectional | 500             | -         | -                         | 86.7                      | 103                       | 78              | 139                | 1              | 3.7             | 175                 | DO-15               |
| SA78A       | Unidirectional | 500             | -         | -                         | 86.7                      | 95.8                      | 78              | 126                | 1              | 4.1             | 175                 | DO-15               |
| SA75C       | Bidirectional  | 500             | -         | -                         | 88.3                      | 102                       | 75              | 134                | 1              | 3.9             | 175                 | DO-15               |
| SA75CA      | Bidirectional  | 500             | -         | -                         | 88.3                      | 92.1                      | 75              | 121                | 1              | 4.3             | 175                 | DO-15               |
| SA75        | Unidirectional | 500             | -         | -                         | 88.3                      | 102                       | 75              | 134                | 1              | 3.9             | 175                 | DO-15               |
| SA75A       | Unidirectional | 500             | -         | -                         | 88.3                      | 92.1                      | 75              | 121                | 1              | 4.3             | 175                 | DO-15               |
| SA85C       | Bidirectional  | 500             | -         | -                         | 94.4                      | 115                       | 85              | 151                | 1              | 3.4             | 175                 | DO-15               |
| SA85CA      | Bidirectional  | 500             | -         | -                         | 94.4                      | 104                       | 85              | 137                | 1              | 3.8             | 175                 | DO-15               |
| SA85        | Unidirectional | 500             | -         | -                         | 94.4                      | 115                       | 85              | 151                | 1              | 3.4             | 175                 | DO-15               |
| SA85A       | Unidirectional | 500             | -         | -                         | 94.4                      | 104                       | 85              | 137                | 1              | 3.8             | 175                 | DO-15               |
| SA90C       | Bidirectional  | 500             | -         | -                         | 100                       | 122                       | 90              | 160                | 1              | 3.2             | 175                 | DO-15               |
| SA90CA      | Bidirectional  | 500             | -         | -                         | 100                       | 111                       | 90              | 146                | 1              | 3.5             | 175                 | DO-15               |
| SA90        | Unidirectional | 500             | -         | -                         | 100                       | 122                       | 90              | 160                | 1              | 3.2             | 175                 | DO-15               |
| SA90A       | Unidirectional | 500             | -         | -                         | 100                       | 111                       | 90              | 146                | 1              | 3.5             | 175                 | DO-15               |
| SA100C      | Bidirectional  | 500             | -         | -                         | 111                       | 136                       | 100             | 179                | 1              | 2.9             | 175                 | DO-15               |
| SA100CA     | Bidirectional  | 500             | -         | -                         | 111                       | 123                       | 100             | 162                | 1              | 3.2             | 175                 | DO-15               |
| SA100       | Unidirectional | 500             | -         | -                         | 111                       | 136                       | 100             | 179                | 1              | 2.9             | 175                 | DO-15               |
| SA100A      | Unidirectional | 500             | -         | -                         | 111                       | 123                       | 100             | 162                | 1              | 3.2             | 175                 | DO-15               |
| SA110C      | Bidirectional  | 500             | -         | -                         | 122                       | 149                       | 110             | 196                | 1              | 2.6             | 175                 | DO-15               |
| SA110CA     | Bidirectional  | 500             | -         | -                         | 122                       | 135                       | 110             | 177                | 1              | 2.9             | 175                 | DO-15               |
| SA110       | Unidirectional | 500             | -         | -                         | 122                       | 149                       | 110             | 196                | 1              | 2.6             | 175                 | DO-15               |
| SA110A      | Unidirectional | 500             | -         | -                         | 122                       | 135                       | 110             | 177                | 1              | 2.9             | 175                 | DO-15               |
| SA120C      | Bidirectional  | 500             | -         | -                         | 133                       | 163                       | 120             | 214                | 1              | 2.4             | 175                 | DO-15               |
| SA120CA     | Bidirectional  | 500             | -         | -                         | 133                       | 147                       | 120             | 193                | 1              | 2.7             | 175                 | DO-15               |
| SA120       | Unidirectional | 500             | -         | -                         | 133                       | 163                       | 120             | 214                | 1              | 2.4             | 175                 | DO-15               |
| SA120A      | Unidirectional | 500             | -         | -                         | 133                       | 147                       | 120             | 193                | 1              | 2.7             | 175                 | DO-15               |
| SA130C      | Bidirectional  | 500             | -         | -                         | 144                       | 176                       | 130             | 230                | 1              | 2.2             | 175                 | DO-15               |
| SA130CA     | Bidirectional  | 500             | -         | -                         | 144                       | 159                       | 130             | 209                | 1              | 2.5             | 175                 | DO-15               |
| SA130       | Unidirectional | 500             | -         | -                         | 144                       | 176                       | 130             | 230                | 1              | 2.2             | 175                 | DO-15               |
| SA130A      | Unidirectional | 500             | -         | -                         | 144                       | 159                       | 130             | 209                | 1              | 2.5             | 175                 | DO-15               |
| SA150C      | Bidirectional  | 500             | -         | -                         | 167                       | 204                       | 150             | 268                | 1              | 1.9             | 175                 | DO-15               |
| SA150CA     | Bidirectional  | 500             | -         | -                         | 167                       | 185                       | 150             | 243                | 1              | 2.1             | 175                 | DO-15               |
| SA150       | Unidirectional | 500             | -         | -                         | 167                       | 204                       | 150             | 268                | 1              | 1.9             | 175                 | DO-15               |

## DIODES - TVS

## DIODES - TVS

| Part Number | Family         | P <sub>PK</sub> | Tolerance | V <sub>BR</sub><br>(Nom.) | V <sub>BR</sub><br>(Min.) | V <sub>BR</sub><br>(Max.) | V <sub>WM</sub> | V <sub>clamp</sub> | I <sub>R</sub> | I <sub>PP</sub> | T <sub>J</sub> max. | Package Description |
|-------------|----------------|-----------------|-----------|---------------------------|---------------------------|---------------------------|-----------------|--------------------|----------------|-----------------|---------------------|---------------------|
|             |                | (W)             | +/- (%)   | (V)                       | (V)                       | (V)                       | (V)             | (V)                | (μA)           | (A)             | (°C)                |                     |
| SA150A      | Unidirectional | 500             | -         | -                         | 167                       | 185                       | 150             | 243                | 1              | 2.1             | 175                 | DO-15               |
| SA160C      | Bidirectional  | 500             | -         | -                         | 178                       | 218                       | 160             | 257                | 1              | 2               | 175                 | DO-15               |
| SA160CA     | Bidirectional  | 500             | -         | -                         | 178                       | 197                       | 160             | 259                | 1              | 2               | 175                 | DO-15               |
| SA160       | Unidirectional | 500             | -         | -                         | 178                       | 218                       | 160             | 257                | 1              | 2               | 175                 | DO-15               |
| SA160A      | Unidirectional | 500             | -         | -                         | 178                       | 197                       | 160             | 259                | 1              | 2               | 175                 | DO-15               |
| SA170C      | Bidirectional  | 500             | -         | -                         | 189                       | 231                       | 170             | 304                | 1              | 1.7             | 175                 | DO-15               |
| SA170CA     | Bidirectional  | 500             | -         | -                         | 189                       | 209                       | 170             | 275                | 1              | 0.1             | 175                 | DO-15               |
| SA170       | Unidirectional | 500             | -         | -                         | 189                       | 231                       | 170             | 304                | 1              | 1.7             | 175                 | DO-15               |
| SA170A      | Unidirectional | 500             | -         | -                         | 189                       | 209                       | 170             | 275                | 1              | 0.1             | 175                 | DO-15               |
| SA18C       | Bidirectional  | 500             | -         | -                         | 20                        | 24.4                      | 18              | 32.2               | 1              | 16.3            | 175                 | DO-15               |
| SA18CA      | Bidirectional  | 500             | -         | -                         | 20                        | 22.1                      | 18              | 39.4               | 1              | 17.9            | 175                 | DO-15               |
| SA18        | Unidirectional | 500             | -         | -                         | 20                        | 24.4                      | 18              | 32.2               | 1              | 16.3            | 175                 | DO-15               |
| SA18A       | Unidirectional | 500             | -         | -                         | 20                        | 22.1                      | 18              | 39.4               | 1              | 17.9            | 175                 | DO-15               |
| P6KE6.8C    | Bidirectional  | 600             | 10        | 6.8                       | 6.12                      | 7.48                      | 5.5             | 10.8               | 1,000          | 58              | 175                 | DO-15               |
| P6SMB6.8C   | Bidirectional  | 600             | 10        | 6.8                       | 6.12                      | 7.48                      | 5.5             | 10.8               | 1,000          | 58              | 150                 | SMB (DO-214AA)      |
| P6KE6.8     | Unidirectional | 600             | 10        | 6.8                       | 6.12                      | 7.48                      | 5.5             | 10.8               | 1,000          | 58              | 175                 | DO-15               |
| P6SMB6.8    | Unidirectional | 600             | 10        | 6.8                       | 6.12                      | 7.48                      | 5.5             | 10.8               | 1,000          | 58              | 150                 | SMB (DO-214AA)      |
| SMBJ5.0C    | Bidirectional  | 600             | -         | -                         | 6.4                       | 7.3                       | 5               | 9.6                | 800            | 65              | 150                 | SMB (DO-214AA)      |
| SMBJ5.0CA   | Bidirectional  | 600             | -         | -                         | 6.4                       | 7                         | 5               | 9.2                | 800            | 68              | 150                 | SMB (DO-214AA)      |
| SMBJ5.0     | Unidirectional | 600             | -         | -                         | 6.4                       | 7.3                       | 5               | 9.6                | 800            | 65              | 150                 | SMB (DO-214AA)      |
| SMBJ5.0A    | Unidirectional | 600             | -         | -                         | 6.4                       | 7                         | 5               | 9.2                | 800            | 68              | 150                 | SMB (DO-214AA)      |
| P6SMB6.8CA  | Bidirectional  | 600             | 5         | 6.8                       | 6.45                      | 7.14                      | 5.8             | 10.5               | 1,000          | 60              | 150                 | SMB (DO-214AA)      |
| P6KE6.8A    | Unidirectional | 600             | 5         | 6.8                       | 6.45                      | 7.14                      | 5.8             | 10.5               | 1,000          | 60              | 175                 | DO-15               |
| P6SMB6.8A   | Unidirectional | 600             | 5         | 6.8                       | 6.45                      | 7.14                      | 5.8             | 10.5               | 1,000          | 60              | 150                 | SMB (DO-214AA)      |
| P6KE6.8CA   | Bidirectional  | 600             | 5         | 6.8                       | 6.46                      | 7.14                      | 5.8             | 10.5               | 1,000          | 60              | 175                 | DO-15               |
| SMBJ6.0C    | Bidirectional  | 600             | -         | -                         | 6.67                      | 8.15                      | 6               | 11.4               | 800            | 55              | 150                 | SMB (DO-214AA)      |
| SMBJ6.0CA   | Bidirectional  | 600             | -         | -                         | 6.67                      | 7.37                      | 6               | 10.3               | 800            | 61              | 150                 | SMB (DO-214AA)      |
| SMBJ6.0     | Unidirectional | 600             | -         | -                         | 6.67                      | 8.15                      | 6               | 11.4               | 800            | 55              | 150                 | SMB (DO-214AA)      |
| SMBJ6.0A    | Unidirectional | 600             | -         | -                         | 6.67                      | 7.37                      | 6               | 10.3               | 800            | 61              | 150                 | SMB (DO-214AA)      |
| P6KE7.5C    | Bidirectional  | 600             | 10        | 7.5                       | 6.75                      | 8.25                      | 6.05            | 11.7               | 500            | 53              | 175                 | DO-15               |
| P6SMB7.5C   | Bidirectional  | 600             | 10        | 7.5                       | 6.75                      | 8.25                      | 6.05            | 11.7               | 500            | 53              | 150                 | SMB (DO-214AA)      |
| P6KE7.5     | Unidirectional | 600             | 10        | 7.5                       | 6.75                      | 8.25                      | 6.05            | 11.7               | 500            | 53              | 175                 | DO-15               |
| P6SMB7.5    | Unidirectional | 600             | 10        | 7.5                       | 6.75                      | 8.25                      | 6.05            | 11.7               | 500            | 53              | 150                 | SMB (DO-214AA)      |
| P6SMB7.5CA  | Bidirectional  | 600             | 5         | 7.5                       | 7.125                     | 7.875                     | 6.4             | 11.3               | 500            | 55              | 150                 | SMB (DO-214AA)      |
| P6SMB7.5A   | Unidirectional | 600             | 5         | 7.5                       | 7.125                     | 7.875                     | 6.4             | 11.3               | 500            | 55              | 150                 | SMB (DO-214AA)      |
| P6KE7.5CA   | Bidirectional  | 600             | 5         | 7.5                       | 7.13                      | 7.88                      | 6.4             | 11.3               | 500            | 55              | 175                 | DO-15               |
| P6KE7.5A    | Unidirectional | 600             | 5         | 7.5                       | 7.13                      | 7.88                      | 6.4             | 11.3               | 500            | 55              | 175                 | DO-15               |
| SMBJ6.5C    | Bidirectional  | 600             | -         | -                         | 7.22                      | 8.82                      | 6.5             | 12.3               | 500            | 51              | 150                 | SMB (DO-214AA)      |
| SMBJ6.5CA   | Bidirectional  | 600             | -         | -                         | 7.22                      | 7.98                      | 6.5             | 11.2               | 500            | 56              | 150                 | SMB (DO-214AA)      |
| SMBJ6.5     | Unidirectional | 600             | -         | -                         | 7.22                      | 8.82                      | 6.5             | 12.3               | 500            | 51              | 150                 | SMB (DO-214AA)      |
| SMBJ6.5A    | Unidirectional | 600             | -         | -                         | 7.22                      | 7.98                      | 6.5             | 11.2               | 500            | 56              | 150                 | SMB (DO-214AA)      |
| P6KE8.2C    | Bidirectional  | 600             | 10        | 8.2                       | 7.38                      | 9.02                      | 6.63            | 12.5               | 200            | 50              | 175                 | DO-15               |
| P6SMB8.2C   | Bidirectional  | 600             | 10        | 8.2                       | 7.38                      | 9.02                      | 6.63            | 12.5               | 200            | 50              | 150                 | SMB (DO-214AA)      |
| P6KE8.2     | Unidirectional | 600             | 10        | 8.2                       | 7.38                      | 9.02                      | 6.63            | 12.5               | 200            | 50              | 175                 | DO-15               |
| P6SMB8.2    | Unidirectional | 600             | 10        | 8.2                       | 7.38                      | 9.02                      | 6.63            | 12.5               | 200            | 50              | 150                 | SMB (DO-214AA)      |
| SMBJ7.0C    | Bidirectional  | 600             | -         | -                         | 7.78                      | 9.51                      | 7               | 13.3               | 200            | 47              | 150                 | SMB (DO-214AA)      |

| Part Number | Family         | P <sub>PK</sub> | Tolerance | V <sub>BR</sub><br>(Nom.) | V <sub>BR</sub><br>(Min.) | V <sub>BR</sub><br>(Max.) | V <sub>WM</sub> | V <sub>clamp</sub> | I <sub>R</sub> | I <sub>PP</sub> | T <sub>J</sub> max. | Package Description |
|-------------|----------------|-----------------|-----------|---------------------------|---------------------------|---------------------------|-----------------|--------------------|----------------|-----------------|---------------------|---------------------|
|             |                | (W)             | +/- (%)   | (V)                       | (V)                       | (V)                       | (V)             | (V)                | (μA)           | (A)             | (°C)                |                     |
| SMBJ7.0CA   | Bidirectional  | 600             | -         | -                         | 7.78                      | 8.6                       | 7               | 12                 | 200            | 52              | 150                 | SMB (DO-214AA)      |
| SMBJ7.0     | Unidirectional | 600             | -         | -                         | 7.78                      | 9.51                      | 7               | 13.3               | 200            | 47              | 150                 | SMB (DO-214AA)      |
| SMBJ7.0A    | Unidirectional | 600             | -         | -                         | 7.78                      | 8.6                       | 7               | 12                 | 200            | 52              | 150                 | SMB (DO-214AA)      |
| P6KE8.2CA   | Bidirectional  | 600             | 5         | 8.2                       | 7.79                      | 8.61                      | 7.02            | 12.1               | 200            | 52              | 175                 | DO-15               |
| P6SMB8.2CA  | Bidirectional  | 600             | 5         | 8.2                       | 7.79                      | 8.61                      | 7.02            | 12.1               | 200            | 52              | 150                 | SMB (DO-214AA)      |
| P6KE8.2A    | Unidirectional | 600             | 5         | 8.2                       | 7.79                      | 8.61                      | 7.02            | 12.1               | 200            | 52              | 175                 | DO-15               |
| P6SMB8.2 A  | Unidirectional | 600             | 5         | 8.2                       | 7.79                      | 8.61                      | 7.02            | 12.1               | 200            | 52              | 150                 | SMB (DO-214AA)      |
| P6KE9.1C    | Bidirectional  | 600             | 10        | 9.1                       | 8.19                      | 10                        | 7.37            | 13.8               | 50             | 45              | 175                 | DO-15               |
| P6SMB9.1C   | Bidirectional  | 600             | 10        | 9.1                       | 8.19                      | 10.01                     | 7.37            | 13.8               | 50             | 45              | 150                 | SMB (DO-214AA)      |
| P6KE9.1     | Unidirectional | 600             | 10        | 9.1                       | 8.19                      | 10                        | 7.37            | 13.8               | 50             | 45              | 175                 | DO-15               |
| P6SMB9.1    | Unidirectional | 600             | 10        | 9.1                       | 8.19                      | 10.01                     | 7.37            | 13.8               | 50             | 45              | 150                 | SMB (DO-214AA)      |
| SMBJ7.5C    | Bidirectional  | 600             | -         | -                         | 8.33                      | 10.2                      | 7.5             | 14.3               | 100            | 44              | 150                 | SMB (DO-214AA)      |
| SMBJ7.5CA   | Bidirectional  | 600             | -         | -                         | 8.33                      | 9.21                      | 7.5             | 12.9               | 100            | 48              | 150                 | SMB (DO-214AA)      |
| SMBJ7.5     | Unidirectional | 600             | -         | -                         | 8.33                      | 10.3                      | 7.5             | 14.3               | 100            | 44              | 150                 | SMB (DO-214AA)      |
| SMBJ7.5A    | Unidirectional | 600             | -         | -                         | 8.33                      | 9.21                      | 7.5             | 12.9               | 100            | 48              | 150                 | SMB (DO-214AA)      |
| P6SMB9.1CA  | Bidirectional  | 600             | 5         | 9.1                       | 8.645                     | 9.55                      | 7.78            | 13.4               | 50             | 47              | 150                 | SMB (DO-214AA)      |
| P6SMB9.1A   | Unidirectional | 600             | 5         | 9.1                       | 8.645                     | 9.55                      | 7.78            | 13.4               | 50             | 47              | 150                 | SMB (DO-214AA)      |
| P6KE9.1CA   | Bidirectional  | 600             | 5         | 9.1                       | 8.65                      | 9.55                      | 7.78            | 13.4               | 50             | 47              | 175                 | DO-15               |
| P6KE9.1A    | Unidirectional | 600             | 5         | 9.1                       | 8.65                      | 9.55                      | 7.78            | 13.4               | 50             | 47              | 175                 | DO-15               |
| SMBJ8.0C    | Bidirectional  | 600             | -         | -                         | 8.89                      | 10.9                      | 8               | 15                 | 50             | 42              | 150                 | SMB (DO-214AA)      |
| SMBJ8.0CA   | Bidirectional  | 600             | -         | -                         | 8.89                      | 9.83                      | 8               | 13.6               | 50             | 46              | 150                 | SMB (DO-214AA)      |
| SMBJ8.0     | Unidirectional | 600             | -         | -                         | 8.89                      | 10.9                      | 8               | 15                 | 50             | 42              | 150                 | SMB (DO-214AA)      |
| SMBJ8.0A    | Unidirectional | 600             | -         | -                         | 8.89                      | 9.83                      | 8               | 13.6               | 50             | 46              | 150                 | SMB (DO-214AA)      |
| P6KE10C     | Bidirectional  | 600             | 10        | 10                        | 9                         | 11                        | 8.1             | 15                 | 10             | 42              | 175                 | DO-15               |
| P6SMB10C    | Bidirectional  | 600             | 10        | 10                        | 9                         | 11                        | 8.1             | 15                 | 10             | 42              | 150                 | SMB (DO-214AA)      |
| P6KE10      | Unidirectional | 600             | 10        | 10                        | 9                         | 11                        | 8.1             | 15                 | 10             | 42              | 175                 | DO-15               |
| P6SMB10     | Unidirectional | 600             | 10        | 10                        | 9                         | 11                        | 8.1             | 15                 | 10             | 42              | 150                 | SMB (DO-214AA)      |
| SMBJ8.5C    | Bidirectional  | 600             | -         | -                         | 9.44                      | 11.5                      | 8.5             | 15.9               | 10             | 39              | 150                 | SMB (DO-214AA)      |
| SMBJ8.5CA   | Bidirectional  | 600             | -         | -                         | 9.44                      | 10.4                      | 8.5             | 14.4               | 10             | 43              | 150                 | SMB (DO-214AA)      |
| SMBJ8.5     | Unidirectional | 600             | -         | -                         | 9.44                      | 11.5                      | 8.5             | 15.9               | 10             | 39              | 150                 | SMB (DO-214AA)      |
| SMBJ8.5A    | Unidirectional | 600             | -         | -                         | 9.44                      | 10.4                      | 8.5             | 14.4               | 10             | 43              | 150                 | SMB (DO-214AA)      |
| P6KE10CA    | Bidirectional  | 600             | 5         | 10                        | 9.5                       | 10.5                      | 8.55            | 14.5               | 10             | 43              | 175                 | DO-15               |
| P6SMB10CA   | Bidirectional  | 600             | 5         | 10                        | 9.5                       | 10.5                      | 8.55            | 14.5               | 10             | 43              | 150                 | SMB (DO-214AA)      |
| P6KE10A     | Unidirectional | 600             | 5         | 10                        | 9.5                       | 10.5                      | 8.55            | 14.5               | 10             | 43              | 175                 | DO-15               |
| P6SMB10A    | Unidirectional | 600             | 5         | 10                        | 9.5                       | 10.5                      | 8.55            | 14.5               | 10             | 43              | 150                 | SMB (DO-214AA)      |
| P6KE11C     | Bidirectional  | 600             | 10        | 11                        | 9.9                       | 12.1                      | 8.92            | 16.2               | 1              | 38              | 175                 | DO-15               |
| P6SMB11C    | Bidirectional  | 600             | 10        | 11                        | 9.9                       | 12.1                      | 8.92            | 16.2               | 1              | 38              | 150                 | SMB (DO-214AA)      |
| P6KE11      | Unidirectional | 600             | 10        | 11                        | 9.9                       | 12.1                      | 8.92            | 16.2               | 1              | 38              | 175                 | DO-15               |
| P6SMB11     | Unidirectional | 600             | 10        | 11                        | 9.9                       | 12.1                      | 8.92            | 16.2               | 1              | 38              | 150                 | SMB (DO-214AA)      |
| SMBJ9.0C    | Bidirectional  | 600             | -         | -                         | 10                        | 12.2                      | 9               | 16.9               | 5              | 37              | 150                 | SMB (DO-214AA)      |
| SMBJ9.0CA   | Bidirectional  | 600             | -         | -                         | 10                        | 11.1                      | 9               | 15.4               | 5              | 40              | 150                 | SMB (DO-214AA)      |
| SMBJ9.0     | Unidirectional | 600             | -         | -                         | 10                        | 12.2                      | 9               | 16.9               | 5              | 37              | 150                 | SMB (DO-214AA)      |
| SMBJ9.0A    | Unidirectional | 600             | -         | -                         | 10                        | 11.1                      | 9               | 15.4               | 5              | 40              | 150                 | SMB (DO-214AA)      |
| P6SMB11CA   | Bidirectional  | 600             | 5         | 11                        | 10.45                     | 11.55                     | 9.4             | 15.6               | 1              | 40              | 150                 | SMB (DO-214AA)      |
| P6SMB11A    | Unidirectional | 600             | 5         | 11                        | 10.45                     | 11.55                     | 9.4             | 15.6               | 1              | 40              | 150                 | SMB (DO-214AA)      |
| P6KE11CA    | Bidirectional  | 600             | 5         | 11                        | 10.5                      | 11.6                      | 9.4             | 15.6               | 1              | 40              | 175                 | DO-15               |

## DIODES - TVS

## DIODES - TVS

| Part Number | Family         | P <sub>PK</sub> | Tolerance | V <sub>BR</sub><br>(Nom.) | V <sub>BR</sub><br>(Min.) | V <sub>BR</sub><br>(Max.) | V <sub>WM</sub> | V <sub>clamp</sub> | I <sub>R</sub> | I <sub>PP</sub> | T <sub>J</sub> max. | Package Description |
|-------------|----------------|-----------------|-----------|---------------------------|---------------------------|---------------------------|-----------------|--------------------|----------------|-----------------|---------------------|---------------------|
|             |                | (W)             | +/- (%)   | (V)                       | (V)                       | (V)                       | (V)             | (V)                | (μA)           | (A)             | (°C)                |                     |
| P6KE11A     | Unidirectional | 600             | 5         | 11                        | 10.5                      | 11.6                      | 9.4             | 15.6               | 1              | 40              | 175                 | DO-15               |
| P6KE12C     | Bidirectional  | 600             | 10        | 12                        | 10.8                      | 13.2                      | 9.72            | 17.3               | 1              | 36              | 175                 | DO-15               |
| P6SMB12C    | Bidirectional  | 600             | 10        | 12                        | 10.8                      | 13.2                      | 9.72            | 17.3               | 1              | 36              | 150                 | SMB (DO-214AA)      |
| P6KE12      | Unidirectional | 600             | 10        | 12                        | 10.8                      | 13.2                      | 9.72            | 17.3               | 1              | 36              | 175                 | DO-15               |
| P6SMB12     | Unidirectional | 600             | 10        | 12                        | 10.8                      | 13.2                      | 9.72            | 17.3               | 1              | 36              | 150                 | SMB (DO-214AA)      |
| SMBJ10C     | Bidirectional  | 600             | -         | -                         | 11.1                      | 13.6                      | 10              | 18.8               | 5              | 33              | 150                 | SMB (DO-214AA)      |
| SMBJ10CA    | Bidirectional  | 600             | -         | -                         | 11.1                      | 12.3                      | 10              | 17                 | 5              | 37              | 150                 | SMB (DO-214AA)      |
| SMBJ10      | Unidirectional | 600             | -         | -                         | 11.1                      | 13.6                      | 10              | 18.8               | 5              | 33              | 150                 | SMB (DO-214AA)      |
| SMBJ10A     | Unidirectional | 600             | -         | -                         | 11.1                      | 12.3                      | 10              | 17                 | 5              | 37              | 150                 | SMB (DO-214AA)      |
| P6KE12CA    | Bidirectional  | 600             | 5         | 12                        | 11.4                      | 12.6                      | 10.2            | 16.7               | 1              | 37              | 175                 | DO-15               |
| P6SMB12CA   | Bidirectional  | 600             | 5         | 12                        | 11.4                      | 12.6                      | 10.2            | 16.7               | 1              | 37              | 150                 | SMB (DO-214AA)      |
| P6KE12A     | Unidirectional | 600             | 5         | 12                        | 11.4                      | 12.6                      | 10.2            | 16.7               | 1              | 37              | 175                 | DO-15               |
| P6SMB12A    | Unidirectional | 600             | 5         | 12                        | 11.4                      | 12.6                      | 10.2            | 16.7               | 1              | 37              | 150                 | SMB (DO-214AA)      |
| P6KE13C     | Bidirectional  | 600             | 10        | 13                        | 11.7                      | 14.3                      | 10.5            | 19                 | 1              | 33              | 175                 | DO-15               |
| P6SMB13C    | Bidirectional  | 600             | 10        | 13                        | 11.7                      | 14.3                      | 10.5            | 19                 | 1              | 33              | 150                 | SMB (DO-214AA)      |
| P6KE13      | Unidirectional | 600             | 10        | 13                        | 11.7                      | 14.3                      | 10.5            | 19                 | 1              | 33              | 175                 | DO-15               |
| P6SMB13     | Unidirectional | 600             | 10        | 13                        | 11.7                      | 14.3                      | 10.5            | 19                 | 1              | 33              | 150                 | SMB (DO-214AA)      |
| SMBJ11C     | Bidirectional  | 600             | -         | -                         | 12.2                      | 14.9                      | 11              | 20.1               | 1              | 31              | 150                 | SMB (DO-214AA)      |
| SMBJ11CA    | Bidirectional  | 600             | -         | -                         | 12.2                      | 13.5                      | 11              | 18.2               | 1              | 34              | 150                 | SMB (DO-214AA)      |
| SMBJ11      | Unidirectional | 600             | -         | -                         | 12.2                      | 14.9                      | 11              | 20.1               | 1              | 31              | 150                 | SMB (DO-214AA)      |
| SMBJ11A     | Unidirectional | 600             | -         | -                         | 12.2                      | 13.5                      | 11              | 18.2               | 1              | 34              | 150                 | SMB (DO-214AA)      |
| P6SMB13CA   | Bidirectional  | 600             | 5         | 13                        | 12.35                     | 13.65                     | 11.1            | 18.2               | 1              | 34              | 150                 | SMB (DO-214AA)      |
| P6SMB13A    | Unidirectional | 600             | 5         | 13                        | 12.35                     | 13.65                     | 11.1            | 18.2               | 1              | 34              | 150                 | SMB (DO-214AA)      |
| P6KE13CA    | Bidirectional  | 600             | 5         | 13                        | 12.4                      | 13.7                      | 11.1            | 18.2               | 1              | 34              | 175                 | DO-15               |
| P6KE13A     | Unidirectional | 600             | 5         | 13                        | 12.4                      | 13.7                      | 11.1            | 18.2               | 1              | 34              | 175                 | DO-15               |
| SMBJ12C     | Bidirectional  | 600             | -         | -                         | 13.3                      | 16.3                      | 12              | 22                 | 1              | 28              | 150                 | SMB (DO-214AA)      |
| SMBJ12CA    | Bidirectional  | 600             | -         | -                         | 13.3                      | 14.7                      | 12              | 19.9               | 1              | 31              | 150                 | SMB (DO-214AA)      |
| SMBJ12      | Unidirectional | 600             | -         | -                         | 13.3                      | 16.3                      | 12              | 22                 | 1              | 28              | 150                 | SMB (DO-214AA)      |
| SMBJ12A     | Unidirectional | 600             | -         | -                         | 13.3                      | 14.7                      | 12              | 19.9               | 1              | 31              | 150                 | SMB (DO-214AA)      |
| P6KE15C     | Bidirectional  | 600             | 10        | 15                        | 13.5                      | 16.5                      | 12.1            | 22                 | 1              | 28              | 175                 | DO-15               |
| P6SMB15C    | Bidirectional  | 600             | 10        | 15                        | 13.5                      | 16.5                      | 12.1            | 22                 | 1              | 28              | 150                 | SMB (DO-214AA)      |
| P6KE15      | Unidirectional | 600             | 10        | 15                        | 13.5                      | 16.5                      | 12.1            | 22                 | 1              | 28              | 175                 | DO-15               |
| P6SMB15     | Unidirectional | 600             | 10        | 15                        | 13.5                      | 16.5                      | 12.1            | 22                 | 1              | 28              | 150                 | SMB (DO-214AA)      |
| P6SMB15CA   | Bidirectional  | 600             | 5         | 15                        | 14.25                     | 15.75                     | 12.8            | 21.2               | 1              | 29              | 150                 | SMB (DO-214AA)      |
| P6SMB15A    | Unidirectional | 600             | 5         | 15                        | 14.25                     | 15.75                     | 12.8            | 21.2               | 1              | 29              | 150                 | SMB (DO-214AA)      |
| BZW06-13B   | Bidirectional  | 600             | -         | -                         | 14.3                      | 15.8                      | 12.8            | 21.2               | 5              | 28              | 175                 | DO-15               |
| P6KE15CA    | Bidirectional  | 600             | 5         | 15                        | 14.3                      | 15.8                      | 12.8            | 21.2               | 1              | 29              | 175                 | DO-15               |
| BZW06-13    | Unidirectional | 600             | -         | -                         | 14.3                      | 15.8                      | 12.8            | 21.2               | 5              | 28              | 175                 | DO-15               |
| P6KE15A     | Unidirectional | 600             | 5         | 15                        | 14.3                      | 15.8                      | 12.8            | 21.2               | 1              | 29              | 175                 | DO-15               |
| P6KE16C     | Bidirectional  | 600             | 10        | 16                        | 14.4                      | 17.6                      | 12.9            | 23.5               | 1              | 26              | 175                 | DO-15               |
| P6SMB16C    | Bidirectional  | 600             | 10        | 16                        | 14.4                      | 17.6                      | 12.9            | 23.5               | 1              | 26              | 150                 | SMB (DO-214AA)      |
| SMBJ13C     | Bidirectional  | 600             | -         | -                         | 14.4                      | 17.6                      | 13              | 23.8               | 1              | 26              | 150                 | SMB (DO-214AA)      |
| SMBJ13CA    | Bidirectional  | 600             | -         | -                         | 14.4                      | 15.9                      | 13              | 21.5               | 1              | 29              | 150                 | SMB (DO-214AA)      |
| P6SMB16     | Unidirectional | 600             | 10        | 16                        | 14.4                      | 17.6                      | 12.9            | 23.5               | 1              | 26              | 150                 | SMB (DO-214AA)      |
| SMBJ13      | Unidirectional | 600             | -         | -                         | 14.4                      | 17.6                      | 13              | 23.8               | 1              | 26              | 150                 | SMB (DO-214AA)      |
| SMBJ13A     | Unidirectional | 600             | -         | -                         | 14.4                      | 15.9                      | 13              | 21.5               | 1              | 29              | 150                 | SMB (DO-214AA)      |

| Part Number | Family         | P <sub>PK</sub> | Tolerance | V <sub>BR</sub><br>(Nom.) | V <sub>BR</sub><br>(Min.) | V <sub>BR</sub><br>(Max.) | V <sub>WM</sub> | V <sub>clamp</sub> | I <sub>R</sub> | I <sub>PP</sub> | T <sub>J</sub> max. | Package Description |
|-------------|----------------|-----------------|-----------|---------------------------|---------------------------|---------------------------|-----------------|--------------------|----------------|-----------------|---------------------|---------------------|
|             |                | (W)             | +/- (%)   | (V)                       | (V)                       | (V)                       | (V)             | (V)                | (μA)           | (A)             | (°C)                |                     |
| P6KE16CA    | Bidirectional  | 600             | 5         | 16                        | 15.2                      | 16.8                      | 13.6            | 22.5               | 1              | 28              | 175                 | DO-15               |
| P6SMB16CA   | Bidirectional  | 600             | 5         | 16                        | 15.2                      | 16.8                      | 13.6            | 22.5               | 1              | 28              | 150                 | SMB (DO-214AA)      |
| P6SMB16A    | Unidirectional | 600             | 5         | 16                        | 15.2                      | 16.8                      | 13.6            | 22.5               | 1              | 28              | 150                 | SMB (DO-214AA)      |
| SMBJ14C     | Bidirectional  | 600             | -         | -                         | 15.6                      | 19.1                      | 14              | 25.8               | 1              | 24.4            | 150                 | SMB (DO-214AA)      |
| SMBJ14CA    | Bidirectional  | 600             | -         | -                         | 15.6                      | 17.2                      | 14              | 23.2               | 1              | 27              | 150                 | SMB (DO-214AA)      |
| SMBJ14      | Unidirectional | 600             | -         | -                         | 15.6                      | 19.1                      | 14              | 25.8               | 1              | 24.4            | 150                 | SMB (DO-214AA)      |
| SMBJ14A     | Unidirectional | 600             | -         | -                         | 15.6                      | 17.2                      | 14              | 23.2               | 1              | 27              | 150                 | SMB (DO-214AA)      |
| P6KE18C     | Bidirectional  | 600             | 10        | 18                        | 16.2                      | 19.8                      | 14.5            | 26.5               | 1              | 23              | 175                 | DO-15               |
| P6SMB18C    | Bidirectional  | 600             | 10        | 18                        | 16.2                      | 19.8                      | 14.5            | 26.5               | 1              | 23              | 150                 | SMB (DO-214AA)      |
| P6KE18      | Unidirectional | 600             | 10        | 18                        | 16.2                      | 19.8                      | 14.5            | 26.5               | 1              | 23              | 175                 | DO-15               |
| P6SMB18     | Unidirectional | 600             | 10        | 18                        | 16.2                      | 19.8                      | 14.5            | 26.5               | 1              | 23              | 150                 | SMB (DO-214AA)      |
| SMBJ15C     | Bidirectional  | 600             | -         | -                         | 16.7                      | 20.4                      | 15              | 26.9               | 1              | 23.1            | 150                 | SMB (DO-214AA)      |
| SMBJ15CA    | Bidirectional  | 600             | -         | -                         | 16.7                      | 18.5                      | 15              | 24.4               | 1              | 25.1            | 150                 | SMB (DO-214AA)      |
| SMBJ15      | Unidirectional | 600             | -         | -                         | 16.7                      | 20.4                      | 15              | 26.9               | 1              | 23.1            | 150                 | SMB (DO-214AA)      |
| SMBJ15A     | Unidirectional | 600             | -         | -                         | 16.7                      | 18.5                      | 15              | 24.4               | 1              | 25.1            | 150                 | SMB (DO-214AA)      |
| BZW06-15B   | Bidirectional  | 600             | -         | -                         | 17.1                      | 18.9                      | 15.3            | 25.2               | 1              | 24              | 175                 | DO-15               |
| P6KE18CA    | Bidirectional  | 600             | 5         | 18                        | 17.1                      | 18.9                      | 15.3            | 25.5               | 1              | 25              | 175                 | DO-15               |
| P6SMB18CA   | Bidirectional  | 600             | 5         | 18                        | 17.1                      | 18.9                      | 15.3            | 25.5               | 1              | 25              | 150                 | SMB (DO-214AA)      |
| BZW06-15    | Unidirectional | 600             | -         | -                         | 17.1                      | 18.9                      | 15.3            | 25.2               | 1              | 24              | 175                 | DO-15               |
| P6KE18A     | Unidirectional | 600             | 5         | 18                        | 17.1                      | 18.9                      | 15.3            | 25.5               | 1              | 25              | 175                 | DO-15               |
| P6SMB18A    | Unidirectional | 600             | 5         | 18                        | 17.1                      | 18.9                      | 15.3            | 25.5               | 1              | 25              | 150                 | SMB (DO-214AA)      |
| SMBJ16C     | Bidirectional  | 600             | -         | -                         | 17.8                      | 21.8                      | 16              | 28.8               | 1              | 21.8            | 150                 | SMB (DO-214AA)      |
| SMBJ16CA    | Bidirectional  | 600             | -         | -                         | 17.8                      | 19.7                      | 16              | 26                 | 1              | 24.2            | 150                 | SMB (DO-214AA)      |
| SMBJ16      | Unidirectional | 600             | -         | -                         | 17.8                      | 21.8                      | 16              | 28.8               | 1              | 21.8            | 150                 | SMB (DO-214AA)      |
| SMBJ16A     | Unidirectional | 600             | -         | -                         | 17.8                      | 19.7                      | 16              | 26                 | 1              | 24.2            | 150                 | SMB (DO-214AA)      |
| P6KE20C     | Bidirectional  | 600             | 10        | 20                        | 18                        | 22                        | 16.2            | 29.1               | 1              | 21              | 175                 | DO-15               |
| P6SMB20C    | Bidirectional  | 600             | 10        | 20                        | 18                        | 22                        | 16.2            | 29.1               | 1              | 21              | 150                 | SMB (DO-214AA)      |
| P6KE20      | Unidirectional | 600             | 10        | 20                        | 18                        | 22                        | 16.2            | 29.1               | 1              | 21              | 175                 | DO-15               |
| P6SMB20     | Unidirectional | 600             | 10        | 20                        | 18                        | 22                        | 16.2            | 29.1               | 1              | 21              | 150                 | SMB (DO-214AA)      |
| SMBJ17C     | Bidirectional  | 600             | -         | -                         | 18.9                      | 23.1                      | 17              | 30.5               | 1              | 20              | 150                 | SMB (DO-214AA)      |
| SMBJ17CA    | Bidirectional  | 600             | -         | -                         | 18.9                      | 20.9                      | 17              | 27.6               | 1              | 22.8            | 150                 | SMB (DO-214AA)      |
| SMBJ17      | Unidirectional | 600             | -         | -                         | 18.9                      | 23.1                      | 17              | 30.5               | 1              | 20              | 150                 | SMB (DO-214AA)      |
| SMBJ17A     | Unidirectional | 600             | -         | -                         | 18.9                      | 20.9                      | 17              | 27.6               | 1              | 22.8            | 150                 | SMB (DO-214AA)      |
| P6KE20CA    | Bidirectional  | 600             | 5         | 20                        | 19                        | 21                        | 17.1            | 27.7               | 1              | 22              | 175                 | DO-15               |
| P6SMB20CA   | Bidirectional  | 600             | 5         | 20                        | 19                        | 21                        | 17.1            | 27.7               | 1              | 22              | 150                 | SMB (DO-214AA)      |
| P6KE20A     | Unidirectional | 600             | 5         | 20                        | 19                        | 21                        | 17.1            | 27.7               | 1              | 22              | 175                 | DO-15               |
| P6SMB20A    | Unidirectional | 600             | 5         | 20                        | 19                        | 21                        | 17.1            | 27.7               | 1              | 22              | 150                 | SMB (DO-214AA)      |
| P6KE22C     | Bidirectional  | 600             | 10        | 22                        | 19.8                      | 24.2                      | 17.8            | 31.9               | 1              | 19              | 175                 | DO-15               |
| P6SMB22C    | Bidirectional  | 600             | 10        | 22                        | 19.8                      | 24.2                      | 17.8            | 31.9               | 1              | 19              | 150                 | SMB (DO-214AA)      |
| P6SMB22     | Unidirectional | 600             | 10        | 22                        | 19.8                      | 24.2                      | 17.8            | 31.9               | 1              | 19              | 150                 | SMB (DO-214AA)      |
| SMBJ18C     | Bidirectional  | 600             | -         | -                         | 20                        | 24.4                      | 18              | 32.2               | 1              | 19.5            | 150                 | SMB (DO-214AA)      |
| SMBJ18CA    | Bidirectional  | 600             | -         | -                         | 20                        | 22.1                      | 18              | 29.2               | 1              | 21.5            | 150                 | SMB (DO-214AA)      |
| SMBJ18      | Unidirectional | 600             | -         | -                         | 20                        | 24.4                      | 18              | 32.2               | 1              | 19.5            | 150                 | SMB (DO-214AA)      |
| SMBJ18A     | Unidirectional | 600             | -         | -                         | 20                        | 22.1                      | 18              | 29.2               | 1              | 21.5            | 150                 | SMB (DO-214AA)      |
| BZW06-19B   | Bidirectional  | 600             | -         | -                         | 20.9                      | 23.1                      | 18.8            | 30.6               | 1              | 19.6            | 175                 | DO-15               |
| P6KE22CA    | Bidirectional  | 600             | 5         | 22                        | 20.9                      | 23.1                      | 18.8            | 30.6               | 1              | 20              | 175                 | DO-15               |



## DIODES - TVS

| Part Number | Family         | P <sub>PK</sub> | Tolerance | V <sub>BR</sub><br>(Nom.) | V <sub>BR</sub><br>(Min.) | V <sub>BR</sub><br>(Max.) | V <sub>WM</sub> | V <sub>clamp</sub> | I <sub>R</sub> | I <sub>PP</sub> | T <sub>J</sub> max. | Package Description |
|-------------|----------------|-----------------|-----------|---------------------------|---------------------------|---------------------------|-----------------|--------------------|----------------|-----------------|---------------------|---------------------|
|             |                | (W)             | +/- (%)   | (V)                       | (V)                       | (V)                       | (V)             | (V)                | (μA)           | (A)             | (°C)                |                     |
| P6SMB22CA   | Bidirectional  | 600             | 5         | 22                        | 20.9                      | 23.1                      | 18.8            | 30.6               | 1              | 20              | 150                 | SMB (DO-214AA)      |
| BZW06-19    | Unidirectional | 600             | -         | -                         | 20.9                      | 23.1                      | 18.8            | 30.6               | 1              | 19.6            | 175                 | DO-15               |
| P6KE22A     | Unidirectional | 600             | 5         | 22                        | 20.9                      | 23.1                      | 18.8            | 30.6               | 1              | 20              | 175                 | DO-15               |
| P6SMB22A    | Unidirectional | 600             | 5         | 22                        | 20.9                      | 23.1                      | 18.8            | 30.6               | 1              | 20              | 150                 | SMB (DO-214AA)      |
| P6KE24C     | Bidirectional  | 600             | 10        | 24                        | 21.6                      | 26.4                      | 19.4            | 34.7               | 1              | 18              | 175                 | DO-15               |
| P6SMB24C    | Bidirectional  | 600             | 10        | 24                        | 21.6                      | 26.4                      | 19.4            | 34.7               | 1              | 18              | 150                 | SMB (DO-214AA)      |
| P6KE24      | Unidirectional | 600             | 10        | 24                        | 21.6                      | 26.4                      | 19.4            | 34.7               | 1              | 18              | 175                 | DO-15               |
| P6SMB24     | Unidirectional | 600             | 10        | 24                        | 21.6                      | 26.4                      | 19.4            | 34.7               | 1              | 18              | 150                 | SMB (DO-214AA)      |
| SMBJ20C     | Bidirectional  | 600             | -         | -                         | 22.2                      | 27.1                      | 20              | 35.8               | 1              | 17.6            | 150                 | SMB (DO-214AA)      |
| SMBJ20CA    | Bidirectional  | 600             | -         | -                         | 22.2                      | 24.5                      | 20              | 32.4               | 1              | 19.4            | 150                 | SMB (DO-214AA)      |
| SMBJ20      | Unidirectional | 600             | -         | -                         | 22.2                      | 27.1                      | 20              | 35.8               | 1              | 17.6            | 150                 | SMB (DO-214AA)      |
| SMBJ20A     | Unidirectional | 600             | -         | -                         | 22.2                      | 24.5                      | 20              | 32.4               | 1              | 19.4            | 150                 | SMB (DO-214AA)      |
| BZW06-20B   | Bidirectional  | 600             | -         | -                         | 22.8                      | 25.2                      | 20.5            | 33.2               | 1              | 28              | 175                 | DO-15               |
| P6KE24CA    | Bidirectional  | 600             | 5         | 24                        | 22.8                      | 25.2                      | 20.5            | 33.2               | 1              | 19              | 175                 | DO-15               |
| P6SMB24CA   | Bidirectional  | 600             | 5         | 24                        | 22.8                      | 25.2                      | 20.5            | 33.2               | 1              | 19              | 150                 | SMB (DO-214AA)      |
| BZW06-20    | Unidirectional | 600             | -         | -                         | 22.8                      | 25.2                      | 20.5            | 33.2               | 1              | 28              | 175                 | DO-15               |
| P6KE24A     | Unidirectional | 600             | 5         | 24                        | 22.8                      | 25.2                      | 20.5            | 33.2               | 1              | 19              | 175                 | DO-15               |
| P6SMB24A    | Unidirectional | 600             | 5         | 24                        | 22.8                      | 25.2                      | 20.5            | 33.2               | 1              | 19              | 150                 | SMB (DO-214AA)      |
| P6KE27C     | Bidirectional  | 600             | 10        | 27                        | 24.3                      | 29.7                      | 21.8            | 39.1               | 1              | 16              | 175                 | DO-15               |
| P6SMB27C    | Bidirectional  | 600             | 10        | 27                        | 24.3                      | 29.7                      | 21.8            | 39.1               | 1              | 16              | 150                 | SMB (DO-214AA)      |
| P6KE27      | Unidirectional | 600             | 10        | 27                        | 24.3                      | 29.7                      | 21.8            | 39.1               | 1              | 16              | 175                 | DO-15               |
| P6SMB27     | Unidirectional | 600             | 10        | 27                        | 24.3                      | 29.7                      | 21.8            | 39.1               | 1              | 16              | 150                 | SMB (DO-214AA)      |
| SMBJ22C     | Bidirectional  | 600             | -         | -                         | 24.4                      | 29.8                      | 22              | 39.4               | 1              | 15              | 150                 | SMB (DO-214AA)      |
| SMBJ22CA    | Bidirectional  | 600             | -         | -                         | 24.4                      | 26.9                      | 22              | 35.5               | 1              | 17.7            | 150                 | SMB (DO-214AA)      |
| SMBJ22      | Unidirectional | 600             | -         | -                         | 24.4                      | 29.8                      | 22              | 39.4               | 1              | 15              | 150                 | SMB (DO-214AA)      |
| SMBJ22A     | Unidirectional | 600             | -         | -                         | 24.4                      | 26.9                      | 22              | 35.5               | 1              | 17.7            | 150                 | SMB (DO-214AA)      |
| P6SMB27CA   | Bidirectional  | 600             | 5         | 27                        | 25.65                     | 28.35                     | 23.1            | 37.5               | 1              | 16.8            | 150                 | SMB (DO-214AA)      |
| P6SMB27A    | Unidirectional | 600             | 5         | 27                        | 25.65                     | 28.35                     | 23.1            | 37.5               | 1              | 16.8            | 150                 | SMB (DO-214AA)      |
| BZW06-23B   | Bidirectional  | 600             | -         | -                         | 25.7                      | 28.4                      | 23.1            | 37.5               | 1              | 16              | 175                 | DO-15               |
| P6KE27CA    | Bidirectional  | 600             | 5         | 27                        | 25.7                      | 28.4                      | 23.1            | 37.5               | 1              | 16.8            | 175                 | DO-15               |
| BZW06-23    | Unidirectional | 600             | -         | -                         | 25.7                      | 28.4                      | 23.1            | 37.5               | 1              | 16              | 175                 | DO-15               |
| P6KE27A     | Unidirectional | 600             | 5         | 27                        | 25.7                      | 28.4                      | 23.1            | 37.5               | 1              | 16.8            | 175                 | DO-15               |
| SMBJ24C     | Bidirectional  | 600             | -         | -                         | 26.7                      | 32.6                      | 24              | 43                 | 1              | 14.6            | 150                 | SMB (DO-214AA)      |
| SMBJ24CA    | Bidirectional  | 600             | -         | -                         | 26.7                      | 29.5                      | 24              | 38.9               | 1              | 16              | 150                 | SMB (DO-214AA)      |
| SMBJ24      | Unidirectional | 600             | -         | -                         | 26.7                      | 32.6                      | 24              | 43                 | 1              | 14.6            | 150                 | SMB (DO-214AA)      |
| SMBJ24A     | Unidirectional | 600             | -         | -                         | 26.7                      | 29.5                      | 24              | 38.9               | 1              | 16              | 150                 | SMB (DO-214AA)      |
| P6KE30C     | Bidirectional  | 600             | 10        | 30                        | 27                        | 33                        | 24.3            | 43.5               | 1              | 14              | 175                 | DO-15               |
| P6SMB30C    | Bidirectional  | 600             | 10        | 30                        | 27                        | 33                        | 24.3            | 43.5               | 1              | 14              | 150                 | SMB (DO-214AA)      |
| P6KE30      | Unidirectional | 600             | 10        | 30                        | 27                        | 33                        | 24.3            | 43.5               | 1              | 14              | 175                 | DO-15               |
| P6SMB30     | Unidirectional | 600             | 10        | 30                        | 27                        | 33                        | 24.3            | 43.5               | 1              | 14              | 150                 | SMB (DO-214AA)      |
| BZW06-26B   | Bidirectional  | 600             | -         | -                         | 28.5                      | 31.5                      | 25.6            | 41.5               | 1              | 14.5            | 175                 | DO-15               |
| P6KE30CA    | Bidirectional  | 600             | 5         | 30                        | 28.5                      | 31.5                      | 25.6            | 41.4               | 1              | 15              | 175                 | DO-15               |
| P6SMB30CA   | Bidirectional  | 600             | 5         | 30                        | 28.5                      | 31.5                      | 25.6            | 41.4               | 1              | 15              | 150                 | SMB (DO-214AA)      |
| BZW06-26    | Unidirectional | 600             | -         | -                         | 28.5                      | 31.5                      | 25.6            | 41.5               | 1              | 14.5            | 175                 | DO-15               |
| P6KE30A     | Unidirectional | 600             | 5         | 30                        | 28.5                      | 31.5                      | 25.6            | 41.4               | 1              | 15              | 175                 | DO-15               |
| P6SMB30A    | Unidirectional | 600             | 5         | 30                        | 28.5                      | 31.5                      | 25.6            | 41.4               | 1              | 15              | 150                 | SMB (DO-214AA)      |

## DIODES - TVS

| Part Number | Family         | P <sub>PK</sub> | Tolerance | V <sub>BR</sub><br>(Nom.) | V <sub>BR</sub><br>(Min.) | V <sub>BR</sub><br>(Max.) | V <sub>WM</sub> | V <sub>clamp</sub> | I <sub>R</sub> | I <sub>PP</sub> | T <sub>J</sub> max. | Package Description |
|-------------|----------------|-----------------|-----------|---------------------------|---------------------------|---------------------------|-----------------|--------------------|----------------|-----------------|---------------------|---------------------|
|             |                | (W)             | +/- (%)   | (V)                       | (V)                       | (V)                       | (V)             | (V)                | (μA)           | (A)             | (°C)                |                     |
| SMBJ26C     | Bidirectional  | 600             | -         | -                         | 28.9                      | 35.3                      | 26              | 46.6               | 1              | 13.5            | 150                 | SMB (DO-214AA)      |
| SMBJ26CA    | Bidirectional  | 600             | -         | -                         | 28.9                      | 31.9                      | 26              | 42.1               | 1              | 14.9            | 150                 | SMB (DO-214AA)      |
| SMBJ26      | Unidirectional | 600             | -         | -                         | 28.9                      | 35.3                      | 26              | 46.6               | 1              | 13.5            | 150                 | SMB (DO-214AA)      |
| SMBJ26A     | Unidirectional | 600             | -         | -                         | 28.9                      | 31.9                      | 26              | 42.1               | 1              | 14.9            | 150                 | SMB (DO-214AA)      |
| P6KE33C     | Bidirectional  | 600             | 10        | 33                        | 29.7                      | 36.3                      | 26.8            | 47.7               | 1              | 13              | 175                 | DO-15               |
| P6SMB33C    | Bidirectional  | 600             | 10        | 33                        | 29.7                      | 36.3                      | 26.8            | 47.7               | 1              | 13              | 150                 | SMB (DO-214AA)      |
| P6KE33      | Unidirectional | 600             | 10        | 33                        | 29.7                      | 36.3                      | 26.8            | 47.7               | 1              | 13              | 175                 | DO-15               |
| P6SMB33     | Unidirectional | 600             | 10        | 33                        | 29.7                      | 36.3                      | 26.8            | 47.7               | 1              | 13              | 150                 | SMB (DO-214AA)      |
| SMBJ28C     | Bidirectional  | 600             | -         | -                         | 31.1                      | 38                        | 28              | 50                 | 1              | 12.6            | 150                 | SMB (DO-214AA)      |
| SMBJ28CA    | Bidirectional  | 600             | -         | -                         | 31.1                      | 34.4                      | 28              | 45.4               | 1              | 13.8            | 150                 | SMB (DO-214AA)      |
| SMBJ28      | Unidirectional | 600             | -         | -                         | 31.1                      | 38                        | 28              | 50                 | 1              | 12.6            | 150                 | SMB (DO-214AA)      |
| SMBJ28A     | Unidirectional | 600             | -         | -                         | 31.1                      | 34.4                      | 28              | 45.4               | 1              | 13.8            | 150                 | SMB (DO-214AA)      |
| P6SMB33CA   | Bidirectional  | 600             | 5         | 33                        | 31.35                     | 34.65                     | 28.2            | 45.7               | 1              | 13.8            | 150                 | SMB (DO-214AA)      |
| P6SMB33A    | Unidirectional | 600             | 5         | 33                        | 31.35                     | 34.65                     | 28.2            | 45.7               | 1              | 13.8            | 150                 | SMB (DO-214AA)      |
| BZW06-28B   | Bidirectional  | 600             | -         | -                         | 31.4                      | 34.7                      | 28.2            | 45.7               | 1              | 13.1            | 175                 | DO-15               |
| P6KE33CA    | Bidirectional  | 600             | 5         | 33                        | 31.4                      | 34.7                      | 28.2            | 45.7               | 1              | 13.8            | 175                 | DO-15               |
| BZW06-28    | Unidirectional | 600             | -         | -                         | 31.4                      | 34.7                      | 28.2            | 45.7               | 1              | 13.1            | 175                 | DO-15               |
| P6KE33A     | Unidirectional | 600             | 5         | 33                        | 31.4                      | 34.7                      | 28.2            | 45.7               | 1              | 13.8            | 175                 | DO-15               |
| P6KE36C     | Bidirectional  | 600             | 10        | 36                        | 32.4                      | 39.6                      | 29.1            | 52                 | 1              | 12              | 175                 | DO-15               |
| P6SMB36C    | Bidirectional  | 600             | 10        | 36                        | 32.4                      | 39.6                      | 29.1            | 52                 | 1              | 12              | 150                 | SMB (DO-214AA)      |
| P6KE36      | Unidirectional | 600             | 10        | 36                        | 32.4                      | 39.6                      | 29.1            | 52                 | 1              | 12              | 175                 | DO-15               |
| P6SMB36     | Unidirectional | 600             | 10        | 36                        | 32.4                      | 39.6                      | 29.1            | 52                 | 1              | 12              | 150                 | SMB (DO-214AA)      |
| SMBJ30C     | Bidirectional  | 600             | -         | -                         | 33.3                      | 40.7                      | 30              | 53.5               | 1              | 11.7            | 150                 | SMB (DO-214AA)      |
| SMBJ30CA    | Bidirectional  | 600             | -         | -                         | 33.3                      | 36.8                      | 30              | 48.4               | 1              | 13              | 150                 | SMB (DO-214AA)      |
| SMBJ30      | Unidirectional | 600             | -         | -                         | 33.3                      | 40.7                      | 30              | 53.5               | 1              | 11.7            | 150                 | SMB (DO-214AA)      |
| SMBJ30A     | Unidirectional | 600             | -         | -                         | 33.3                      | 36.8                      | 30              | 48.4               | 1              | 13              | 150                 | SMB (DO-214AA)      |
| BZW06-31B   | Bidirectional  | 600             | -         | -                         | 34.2                      | 37.8                      | 30.8            | 49.9               | 1              | 12              | 175                 | DO-15               |
| P6KE36CA    | Bidirectional  | 600             | 5         | 36                        | 34.2                      | 37.8                      | 30.8            | 49.9               | 1              | 12.6            | 175                 | DO-15               |
| P6SMB36CA   | Bidirectional  | 600             | 5         | 36                        | 34.2                      | 37.8                      | 30.8            | 49.9               | 1              | 12.6            | 150                 | SMB (DO-214AA)      |
| BZW06-31    | Unidirectional | 600             | -         | -                         | 34.2                      | 37.8                      | 30.8            | 49.9               | 1              | 12              | 175                 | DO-15               |
| P6KE36A     | Unidirectional | 600             | 5         | 36                        | 34.2                      | 37.8                      | 30.8            | 49.9               | 1              | 12.6            | 175                 | DO-15               |
| P6SMB36A    | Unidirectional | 600             | 5         | 36                        | 34.2                      | 37.8                      | 30.8            | 49.9               | 1              | 12.6            | 150                 | SMB (DO-214AA)      |
| P6KE39C     | Bidirectional  | 600             | 10        | 39                        | 35.1                      | 42.9                      | 31.6            | 56.4               | 1              | 11.1            | 175                 | DO-15               |
| P6SMB39C    | Bidirectional  | 600             | 10        | 39                        | 35.1                      | 42.9                      | 31.6            | 56.4               | 1              | 11.1            | 150                 | SMB (DO-214AA)      |
| P6KE39      | Unidirectional | 600             | 10        | 39                        | 35.1                      | 42.9                      | 31.6            | 56.4               | 1              | 11.1            | 175                 | DO-15               |
| P6SMB39     | Unidirectional | 600             | 10        | 39                        | 35.1                      | 42.9                      | 31.6            | 56.4               | 1              | 11.1            | 150                 | SMB (DO-214AA)      |
| SMBJ33C     | Bidirectional  | 600             | -         | -                         | 36.7                      | 44.9                      | 33              | 59                 | 1              | 10.6            | 150                 | SMB (DO-214AA)      |
| SMBJ33CA    | Bidirectional  | 600             | -         | -                         | 36.7                      | 40.6                      | 33              | 53.3               | 1              | 11.8            | 150                 | SMB (DO-214AA)      |
| SMBJ33      | Unidirectional | 600             | -         | -                         | 36.7                      | 44.9                      | 33              | 59                 | 1              | 10.6            | 150                 | SMB (DO-214AA)      |
| SMBJ33A     | Unidirectional | 600             | -         | -                         | 36.7                      | 40.6                      | 33              | 53.3               | 1              | 11.8            | 150                 | SMB (DO-214AA)      |
| P6SMB39CA   | Bidirectional  | 600             | 5         | 39                        | 37.05                     | 40.95                     | 33.3            | 53.9               | 1              | 11.6            | 150                 | SMB (DO-214AA)      |
| P6SMB39A    | Unidirectional | 600             | 5         | 39                        | 37.05                     | 40.95                     | 33.3            | 53.9               | 1              | 11.6            | 150                 | SMB (DO-214AA)      |
| BZW06-33B   | Bidirectional  | 600             | -         | -                         | 37.1                      | 47                        | 33.3            | 53.9               | 1              | 11.1            | 175                 | DO-15               |
| P6KE39CA    | Bidirectional  | 600             | 5         | 39                        | 37.1                      | 41                        | 33.3            | 53.9               | 1              | 11.6            | 175                 | DO-15               |
| BZW06-33    | Unidirectional | 600             | -         | -                         | 37.1                      | 47                        | 33.3            | 53.9               | 1              | 11.1            | 175                 | DO-15               |
| P6KE39A     | Unidirectional | 600             | 5         | 39                        | 37.1                      | 41                        | 33.3            | 53.9               | 1              | 11.6            | 175                 | DO-15               |

## DIODES - TVS

| Part Number | Family         | P <sub>PK</sub> | Tolerance | V <sub>BR</sub><br>(Nom.) | V <sub>BR</sub><br>(Min.) | V <sub>BR</sub><br>(Max.) | V <sub>WM</sub> | V <sub>clamp</sub> | I <sub>R</sub> | I <sub>PP</sub> | T <sub>J</sub> max. | Package Description |
|-------------|----------------|-----------------|-----------|---------------------------|---------------------------|---------------------------|-----------------|--------------------|----------------|-----------------|---------------------|---------------------|
|             |                | (W)             | +/- (%)   | (V)                       | (V)                       | (V)                       | (V)             | (V)                | (μA)           | (A)             | (°C)                |                     |
| P6KE43C     | Bidirectional  | 600             | 10        | 43                        | 38.7                      | 47.3                      | 34.8            | 61.9               | 1              | 10              | 175                 | DO-15               |
| P6SMB43C    | Bidirectional  | 600             | 10        | 43                        | 38.7                      | 47.3                      | 34.8            | 61.9               | 1              | 10              | 150                 | SMB (DO-214AA)      |
| P6KE43      | Unidirectional | 600             | 10        | 43                        | 38.7                      | 47.3                      | 34.8            | 61.9               | 1              | 10              | 175                 | DO-15               |
| P6SMB43     | Unidirectional | 600             | 10        | 43                        | 38.7                      | 47.3                      | 34.8            | 61.9               | 1              | 10              | 150                 | SMB (DO-214AA)      |
| SMBJ36C     | Bidirectional  | 600             | -         | -                         | 40                        | 48.9                      | 36              | 64.3               | 1              | 9.8             | 150                 | SMB (DO-214AA)      |
| SMBJ36CA    | Bidirectional  | 600             | -         | -                         | 40                        | 44.2                      | 36              | 58.1               | 1              | 10.8            | 150                 | SMB (DO-214AA)      |
| SMBJ36      | Unidirectional | 600             | -         | -                         | 40                        | 48.9                      | 36              | 64.3               | 1              | 9.8             | 150                 | SMB (DO-214AA)      |
| SMBJ36A     | Unidirectional | 600             | -         | -                         | 40                        | 44.2                      | 36              | 58.1               | 1              | 10.8            | 150                 | SMB (DO-214AA)      |
| P6SMB43CA   | Bidirectional  | 600             | 5         | 43                        | 40.85                     | 45.15                     | 36.8            | 59.3               | 1              | 10.6            | 150                 | SMB (DO-214AA)      |
| P6SMB43A    | Unidirectional | 600             | 5         | 43                        | 40.85                     | 45.15                     | 36.8            | 59.3               | 1              | 10.6            | 150                 | SMB (DO-214AA)      |
| P6KE43CA    | Bidirectional  | 600             | 5         | 43                        | 40.9                      | 45.2                      | 36.8            | 59.3               | 1              | 10.6            | 175                 | DO-15               |
| P6KE43A     | Unidirectional | 600             | 5         | 43                        | 40.9                      | 45.2                      | 36.8            | 59.3               | 1              | 10.6            | 175                 | DO-15               |
| P6KE47C     | Bidirectional  | 600             | 10        | 47                        | 42.3                      | 51.7                      | 38.1            | 67.8               | 1              | 9.2             | 175                 | DO-15               |
| P6SMB47C    | Bidirectional  | 600             | 10        | 47                        | 42.3                      | 51.7                      | 38.1            | 67.8               | 1              | 9.2             | 150                 | SMB (DO-214AA)      |
| P6KE47      | Unidirectional | 600             | 10        | 47                        | 42.3                      | 51.7                      | 38.1            | 67.8               | 1              | 9.2             | 175                 | DO-15               |
| P6SMB47     | Unidirectional | 600             | 10        | 47                        | 42.3                      | 51.7                      | 38.1            | 67.8               | 1              | 9.2             | 150                 | SMB (DO-214AA)      |
| SMBJ40C     | Bidirectional  | 600             | -         | -                         | 44.4                      | 54.3                      | 40              | 71.4               | 1              | 8.8             | 150                 | SMB (DO-214AA)      |
| SMBJ40CA    | Bidirectional  | 600             | -         | -                         | 44.4                      | 49.1                      | 40              | 64.5               | 1              | 9.7             | 150                 | SMB (DO-214AA)      |
| SMBJ40      | Unidirectional | 600             | -         | -                         | 44.4                      | 54.3                      | 40              | 71.4               | 1              | 8.8             | 150                 | SMB (DO-214AA)      |
| SMBJ40A     | Unidirectional | 600             | -         | -                         | 44.4                      | 49.1                      | 40              | 64.5               | 1              | 9.7             | 150                 | SMB (DO-214AA)      |
| P6SMB47CA   | Bidirectional  | 600             | 5         | 47                        | 44.65                     | 49.35                     | 40.2            | 64.8               | 1              | 9.7             | 150                 | SMB (DO-214AA)      |
| P6SMB47A    | Unidirectional | 600             | 5         | 47                        | 44.65                     | 49.35                     | 40.2            | 64.8               | 1              | 9.7             | 150                 | SMB (DO-214AA)      |
| BZW06-40B   | Bidirectional  | 600             | -         | -                         | 44.7                      | 49.4                      | 40.2            | 64.8               | 1              | 9.3             | 175                 | DO-15               |
| P6KE47CA    | Bidirectional  | 600             | 5         | 47                        | 44.7                      | 49.4                      | 40.2            | 64.8               | 1              | 9.7             | 175                 | DO-15               |
| BZW06-40    | Unidirectional | 600             | -         | -                         | 44.7                      | 49.4                      | 40.2            | 64.8               | 1              | 9.3             | 175                 | DO-15               |
| P6KE47A     | Unidirectional | 600             | 5         | 47                        | 44.7                      | 49.4                      | 40.2            | 64.8               | 1              | 9.7             | 175                 | DO-15               |
| P6KE51C     | Bidirectional  | 600             | 10        | 51                        | 45.9                      | 56.1                      | 41.3            | 73.5               | 1              | 8.5             | 175                 | DO-15               |
| P6SMB51C    | Bidirectional  | 600             | 10        | 51                        | 45.9                      | 56.1                      | 41.3            | 73.5               | 1              | 8.5             | 150                 | SMB (DO-214AA)      |
| P6KE51      | Unidirectional | 600             | 10        | 51                        | 45.9                      | 56.1                      | 41.3            | 73.5               | 1              | 8.5             | 175                 | DO-15               |
| P6SMB51     | Unidirectional | 600             | 10        | 51                        | 45.9                      | 56.1                      | 41.3            | 73.5               | 1              | 8.5             | 150                 | SMB (DO-214AA)      |
| SMBJ43C     | Bidirectional  | 600             | -         | -                         | 47.8                      | 58.4                      | 43              | 76.7               | 1              | 8.2             | 150                 | SMB (DO-214AA)      |
| SMBJ43CA    | Bidirectional  | 600             | -         | -                         | 47.8                      | 52.8                      | 43              | 69.4               | 1              | 9               | 150                 | SMB (DO-214AA)      |
| SMBJ43      | Unidirectional | 600             | -         | -                         | 47.8                      | 58.4                      | 43              | 76.7               | 1              | 8.2             | 150                 | SMB (DO-214AA)      |
| SMBJ43A     | Unidirectional | 600             | -         | -                         | 47.8                      | 52.8                      | 43              | 69.4               | 1              | 9               | 150                 | SMB (DO-214AA)      |
| P6SMB51CA   | Bidirectional  | 600             | 5         | 51                        | 48.45                     | 53.55                     | 43.6            | 70.1               | 1              | 8.9             | 150                 | SMB (DO-214AA)      |
| P6SMB51A    | Unidirectional | 600             | 5         | 51                        | 48.45                     | 53.55                     | 43.6            | 70.1               | 1              | 8.9             | 150                 | SMB (DO-214AA)      |
| P6KE51CA    | Bidirectional  | 600             | 5         | 51                        | 48.5                      | 53.6                      | 43.6            | 70.1               | 1              | 8.9             | 175                 | DO-15               |
| P6KE51A     | Unidirectional | 600             | 5         | 51                        | 48.5                      | 53.6                      | 43.6            | 70.1               | 1              | 8.9             | 175                 | DO-15               |
| SMBJ45C     | Bidirectional  | 600             | -         | -                         | 50                        | 61.1                      | 45              | 80.3               | 1              | 7.8             | 150                 | SMB (DO-214AA)      |
| SMBJ45CA    | Bidirectional  | 600             | -         | -                         | 50                        | 55.3                      | 45              | 72.7               | 1              | 8.6             | 150                 | SMB (DO-214AA)      |
| SMBJ45      | Unidirectional | 600             | -         | -                         | 50                        | 61.1                      | 45              | 80.3               | 1              | 7.8             | 150                 | SMB (DO-214AA)      |
| SMBJ45A     | Unidirectional | 600             | -         | -                         | 50                        | 55.3                      | 45              | 72.7               | 1              | 8.6             | 150                 | SMB (DO-214AA)      |
| P6KE56C     | Bidirectional  | 600             | 10        | 56                        | 50.4                      | 61.6                      | 45.4            | 80.5               | 1              | 7.8             | 175                 | DO-15               |
| P6SMB56C    | Bidirectional  | 600             | 10        | 56                        | 50.4                      | 61.6                      | 45.4            | 80.5               | 1              | 7.8             | 150                 | SMB (DO-214AA)      |
| P6KE56      | Unidirectional | 600             | 10        | 56                        | 50.4                      | 61.6                      | 45.4            | 80.5               | 1              | 7.8             | 175                 | DO-15               |
| P6SMB56     | Unidirectional | 600             | 10        | 56                        | 50.4                      | 61.6                      | 45.4            | 80.5               | 1              | 7.8             | 150                 | SMB (DO-214AA)      |

## DIODES - TVS

| Part Number | Family         | P <sub>PK</sub> | Tolerance | V <sub>BR</sub><br>(Nom.) | V <sub>BR</sub><br>(Min.) | V <sub>BR</sub><br>(Max.) | V <sub>WM</sub> | V <sub>clamp</sub> | I <sub>R</sub> | I <sub>PP</sub> | T <sub>J</sub> max. | Package Description |
|-------------|----------------|-----------------|-----------|---------------------------|---------------------------|---------------------------|-----------------|--------------------|----------------|-----------------|---------------------|---------------------|
|             |                | (W)             | +/- (%)   | (V)                       | (V)                       | (V)                       | (V)             | (V)                | (μA)           | (A)             | (°C)                |                     |
| BZW06-48B   | Bidirectional  | 600             | -         | -                         | 53.2                      | 58.8                      | 47.8            | 77                 | 1              | 7.8             | 175                 | DO-15               |
| P6KE56CA    | Bidirectional  | 600             | 5         | 56                        | 53.2                      | 58.8                      | 47.8            | 77                 | 1              | 8.1             | 175                 | DO-15               |
| P6SMB56CA   | Bidirectional  | 600             | 5         | 56                        | 53.2                      | 58.8                      | 47.8            | 77                 | 1              | 8.1             | 150                 | SMB (DO-214AA)      |
| BZW06-48    | Unidirectional | 600             | -         | -                         | 53.2                      | 58.8                      | 47.8            | 77                 | 1              | 7.8             | 175                 | DO-15               |
| P6KE56A     | Unidirectional | 600             | 5         | 56                        | 53.2                      | 58.8                      | 47.8            | 77                 | 1              | 8.1             | 175                 | DO-15               |
| P6SMB56A    | Unidirectional | 600             | 5         | 56                        | 53.2                      | 58.8                      | 47.8            | 77                 | 1              | 8.1             | 150                 | SMB (DO-214AA)      |
| SMBJ48C     | Bidirectional  | 600             | -         | -                         | 53.3                      | 65.2                      | 48              | 85.5               | 1              | 7.3             | 150                 | SMB (DO-214AA)      |
| SMBJ48CA    | Bidirectional  | 600             | -         | -                         | 53.3                      | 58.9                      | 48              | 77.4               | 1              | 8.1             | 150                 | SMB (DO-214AA)      |
| SMBJ48      | Unidirectional | 600             | -         | -                         | 53.3                      | 65.1                      | 48              | 85.5               | 1              | 7.3             | 150                 | SMB (DO-214AA)      |
| SMBJ48A     | Unidirectional | 600             | -         | -                         | 53.3                      | 58.9                      | 48              | 77.4               | 1              | 8.1             | 150                 | SMB (DO-214AA)      |
| P6KE62C     | Bidirectional  | 600             | 10        | 62                        | 55.8                      | 68.2                      | 50.2            | 89                 | 1              | 7               | 175                 | DO-15               |
| P6SMB62C    | Bidirectional  | 600             | 10        | 62                        | 55.8                      | 68.2                      | 50.2            | 89                 | 1              | 7               | 150                 | SMB (DO-214AA)      |
| P6KE62      | Unidirectional | 600             | 10        | 62                        | 55.8                      | 68.2                      | 50.2            | 89                 | 1              | 7               | 175                 | DO-15               |
| P6SMB62     | Unidirectional | 600             | 10        | 62                        | 55.8                      | 68.2                      | 50.2            | 89                 | 1              | 7               | 150                 | SMB (DO-214AA)      |
| SMBJ51C     | Bidirectional  | 600             | -         | -                         | 56.7                      | 69.3                      | 51              | 91.1               | 1              | 6.9             | 150                 | SMB (DO-214AA)      |
| SMBJ51CA    | Bidirectional  | 600             | -         | -                         | 56.7                      | 62.7                      | 51              | 82.4               | 1              | 7.6             | 150                 | SMB (DO-214AA)      |
| SMBJ51      | Unidirectional | 600             | -         | -                         | 56.7                      | 69.3                      | 51              | 91.1               | 1              | 6.9             | 150                 | SMB (DO-214AA)      |
| SMBJ51A     | Unidirectional | 600             | -         | -                         | 56.7                      | 62.7                      | 51              | 82.4               | 1              | 7.6             | 150                 | SMB (DO-214AA)      |
| P6KE62CA    | Bidirectional  | 600             | 5         | 62                        | 58.9                      | 65.1                      | 53              | 85                 | 1              | 7.4             | 175                 | DO-15               |
| P6SMB62CA   | Bidirectional  | 600             | 5         | 62                        | 58.9                      | 65.1                      | 53              | 85                 | 1              | 7.4             | 150                 | SMB (DO-214AA)      |
| P6KE62A     | Unidirectional | 600             | 5         | 62                        | 58.9                      | 65.1                      | 53              | 85                 | 1              | 7.4             | 175                 | DO-15               |
| P6SMB62A    | Unidirectional | 600             | 5         | 62                        | 58.9                      | 65.1                      | 53              | 85                 | 1              | 7.4             | 150                 | SMB (DO-214AA)      |
| SMBJ54C     | Bidirectional  | 600             | -         | -                         | 60                        | 73.3                      | 54              | 96.3               | 1              | 6.5             | 150                 | SMB (DO-214AA)      |
| SMBJ54CA    | Bidirectional  | 600             | -         | -                         | 60                        | 66.3                      | 54              | 87.1               | 1              | 7.2             | 150                 | SMB (DO-214AA)      |
| SMBJ54      | Unidirectional | 600             | -         | -                         | 60                        | 73.3                      | 54              | 96.3               | 1              | 6.5             | 150                 | SMB (DO-214AA)      |
| SMBJ54A     | Unidirectional | 600             | -         | -                         | 60                        | 66.3                      | 54              | 87.1               | 1              | 7.2             | 150                 | SMB (DO-214AA)      |
| P6KE68C     | Bidirectional  | 600             | 10        | 68                        | 61.2                      | 74.8                      | 55.1            | 98                 | 1              | 6.4             | 175                 | DO-15               |
| P6SMB68C    | Bidirectional  | 600             | 10        | 68                        | 61.2                      | 74.8                      | 55.1            | 98                 | 1              | 6.4             | 150                 | SMB (DO-214AA)      |
| P6KE68      | Unidirectional | 600             | 10        | 68                        | 61.2                      | 74.8                      | 55.1            | 98                 | 1              | 6.4             | 175                 | DO-15               |
| P6SMB68     | Unidirectional | 600             | 10        | 68                        | 61.2                      | 74.8                      | 55.1            | 98                 | 1              | 6.4             | 150                 | SMB (DO-214AA)      |
| SMBJ58C     | Bidirectional  | 600             | -         | -                         | 64.4                      | 78.7                      | 58              | 103                | 1              | 6.1             | 150                 | SMB (DO-214AA)      |
| SMBJ58CA    | Bidirectional  | 600             | -         | -                         | 64.4                      | 71.2                      | 58              | 93.6               | 1              | 6.7             | 150                 | SMB (DO-214AA)      |
| SMBJ58      | Unidirectional | 600             | -         | -                         | 64.4                      | 78.7                      | 58              | 103                | 1              | 6.1             | 150                 | SMB (DO-214AA)      |
| SMBJ58A     | Unidirectional | 600             | -         | -                         | 64.4                      | 71.2                      | 58              | 93.6               | 1              | 6.7             | 150                 | SMB (DO-214AA)      |
| BZW06-58B   | Bidirectional  | 600             | -         | -                         | 64.6                      | 71.4                      | 58.1            | 92                 | 1              | 6.5             | 175                 | DO-15               |
| P6KE68CA    | Bidirectional  | 600             | 5         | 68                        | 64.6                      | 71.4                      | 58.1            | 92                 | 1              | 6.8             | 175                 | DO-15               |
| P6SMB68CA   | Bidirectional  | 600             | 5         | 68                        | 64.6                      | 71.4                      | 58.1            | 92                 | 1              | 6.8             | 150                 | SMB (DO-214AA)      |
| BZW06-58    | Unidirectional | 600             | -         | -                         | 64.6                      | 71.4                      | 58.1            | 92                 | 1              | 6.5             | 175                 | DO-15               |
| P6KE68A     | Unidirectional | 600             | 5         | 68                        | 64.6                      | 71.4                      | 58.1            | 92                 | 1              | 6.8             | 175                 | DO-15               |
| P6SMB68A    | Unidirectional | 600             | 5         | 68                        | 64.6                      | 71.4                      | 58.1            | 92                 | 1              | 6.8             | 150                 | SMB (DO-214AA)      |
| SMBJ60C     | Bidirectional  | 600             | -         | -                         | 66.7                      | 81.5                      | 60              | 107                | 1              | 5.8             | 150                 | SMB (DO-214AA)      |
| SMBJ60CA    | Bidirectional  | 600             | -         | -                         | 66.7                      | 73.7                      | 60              | 96.8               | 1              | 6.5             | 150                 | SMB (DO-214AA)      |
| SMBJ60      | Unidirectional | 600             | -         | -                         | 66.7                      | 81.5                      | 60              | 107                | 1              | 5.8             | 150                 | SMB (DO-214AA)      |
| SMBJ60A     | Unidirectional | 600             | -         | -                         | 66.7                      | 73.7                      | 60              | 96.8               | 1              | 6.5             | 150                 | SMB (DO-214AA)      |
| P6KE75C     | Bidirectional  | 600             | 10        | 75                        | 67.5                      | 82.5                      | 60.7            | 108                | 1              | 5.8             | 175                 | DO-15               |
| P6SMB75C    | Bidirectional  | 600             | 10        | 75                        | 67.5                      | 82.5                      | 60.7            | 108                | 1              | 5.8             | 150                 | SMB (DO-214AA)      |

## DIODES - TVS

## DIODES - TVS

| Part Number | Family         | P <sub>PK</sub> | Tolerance | V <sub>BR</sub><br>(Nom.) | V <sub>BR</sub><br>(Min.) | V <sub>BR</sub><br>(Max.) | V <sub>WM</sub> | V <sub>clamp</sub> | I <sub>R</sub> | I <sub>PP</sub> | T <sub>J</sub> max. | Package Description |
|-------------|----------------|-----------------|-----------|---------------------------|---------------------------|---------------------------|-----------------|--------------------|----------------|-----------------|---------------------|---------------------|
|             |                | (W)             | +/- (%)   | (V)                       | (V)                       | (V)                       | (V)             | (V)                | (μA)           | (A)             | (°C)                |                     |
| P6KE75      | Unidirectional | 600             | 10        | 75                        | 67.5                      | 82.5                      | 60.7            | 108                | 1              | 5.8             | 175                 | DO-15               |
| P6SMB75     | Unidirectional | 600             | 10        | 75                        | 67.5                      | 82.5                      | 60.7            | 108                | 1              | 5.8             | 150                 | SMB (DO-214AA)      |
| SMBJ64C     | Bidirectional  | 600             | -         | -                         | 71.1                      | 86.9                      | 64              | 114                | 1              | 5.5             | 150                 | SMB (DO-214AA)      |
| SMBJ64CA    | Bidirectional  | 600             | -         | -                         | 71.1                      | 78.6                      | 64              | 103                | 1              | 6.1             | 150                 | SMB (DO-214AA)      |
| SMBJ64      | Unidirectional | 600             | -         | -                         | 71.1                      | 86.9                      | 64              | 114                | 1              | 5.5             | 150                 | SMB (DO-214AA)      |
| SMBJ64A     | Unidirectional | 600             | -         | -                         | 71.1                      | 78.6                      | 64              | 103                | 1              | 6.1             | 150                 | SMB (DO-214AA)      |
| P6SMB75CA   | Bidirectional  | 600             | 5         | 75                        | 71.25                     | 78.75                     | 64.1            | 103                | 1              | 6.1             | 150                 | SMB (DO-214AA)      |
| P6SMB75A    | Unidirectional | 600             | 5         | 75                        | 71.25                     | 78.75                     | 64.1            | 103                | 1              | 6.1             | 150                 | SMB (DO-214AA)      |
| P6KE75CA    | Bidirectional  | 600             | 5         | 75                        | 71.3                      | 78.8                      | 64.1            | 103                | 1              | 6.1             | 175                 | DO-15               |
| P6KE75A     | Unidirectional | 600             | 5         | 75                        | 71.3                      | 78.8                      | 64.1            | 103                | 1              | 6.1             | 175                 | DO-15               |
| P6KE82C     | Bidirectional  | 600             | 10        | 82                        | 73.8                      | 90.2                      | 66.4            | 118                | 1              | 5.3             | 175                 | DO-15               |
| P6SMB82C    | Bidirectional  | 600             | 10        | 82                        | 73.8                      | 90.2                      | 66.4            | 118                | 1              | 5.3             | 150                 | SMB (DO-214AA)      |
| P6KE82      | Unidirectional | 600             | 10        | 82                        | 73.8                      | 90.2                      | 66.4            | 118                | 1              | 5.3             | 175                 | DO-15               |
| P6SMB82     | Unidirectional | 600             | 10        | 82                        | 73.8                      | 90.2                      | 66.4            | 118                | 1              | 5.3             | 150                 | SMB (DO-214AA)      |
| SMBJ70C     | Bidirectional  | 600             | -         | -                         | 77.8                      | 95.1                      | 70              | 125                | 1              | 5               | 150                 | SMB (DO-214AA)      |
| SMBJ70CA    | Bidirectional  | 600             | -         | -                         | 77.8                      | 86                        | 70              | 113                | 1              | 5.5             | 150                 | SMB (DO-214AA)      |
| SMBJ70      | Unidirectional | 600             | -         | -                         | 77.8                      | 95.1                      | 70              | 125                | 1              | 5               | 150                 | SMB (DO-214AA)      |
| SMBJ70A     | Unidirectional | 600             | -         | -                         | 77.8                      | 86                        | 70              | 113                | 1              | 5.5             | 150                 | SMB (DO-214AA)      |
| BZW06-70B   | Bidirectional  | 600             | -         | -                         | 77.9                      | 86.1                      | 70.1            | 113                | 1              | 5.3             | 175                 | DO-15               |
| P6KE82CA    | Bidirectional  | 600             | 5         | 82                        | 77.9                      | 86.1                      | 70.1            | 113                | 1              | 5.5             | 175                 | DO-15               |
| P6SMB82CA   | Bidirectional  | 600             | 5         | 82                        | 77.9                      | 86.1                      | 70.1            | 113                | 1              | 5.5             | 150                 | SMB (DO-214AA)      |
| BZW06-70    | Unidirectional | 600             | -         | -                         | 77.9                      | 86.1                      | 70.1            | 113                | 1              | 5.3             | 175                 | DO-15               |
| P6KE82A     | Unidirectional | 600             | 5         | 82                        | 77.9                      | 86.1                      | 70.1            | 113                | 1              | 5.5             | 175                 | DO-15               |
| P6SMB82A    | Unidirectional | 600             | 5         | 82                        | 77.9                      | 86.1                      | 70.1            | 113                | 1              | 5.5             | 150                 | SMB (DO-214AA)      |
| P6KE91C     | Bidirectional  | 600             | 10        | 91                        | 81.9                      | 100                       | 73.7            | 131                | 1              | 4.8             | 175                 | DO-15               |
| P6SMB91C    | Bidirectional  | 600             | 10        | 91                        | 81.9                      | 100.1                     | 73.7            | 131                | 1              | 4.8             | 150                 | SMB (DO-214AA)      |
| P6KE91      | Unidirectional | 600             | 10        | 91                        | 81.9                      | 100                       | 73.7            | 131                | 1              | 4.8             | 175                 | DO-15               |
| P6SMB91     | Unidirectional | 600             | 10        | 91                        | 81.9                      | 100.1                     | 73.7            | 131                | 1              | 4.8             | 150                 | SMB (DO-214AA)      |
| SMBJ75C     | Bidirectional  | 600             | -         | -                         | 83.3                      | 102                       | 75              | 134                | 1              | 4.7             | 150                 | SMB (DO-214AA)      |
| SMBJ75CA    | Bidirectional  | 600             | -         | -                         | 83.3                      | 92.1                      | 75              | 121                | 1              | 5.2             | 150                 | SMB (DO-214AA)      |
| SMBJ75      | Unidirectional | 600             | -         | -                         | 83.3                      | 102                       | 75              | 134                | 1              | 4.7             | 150                 | SMB (DO-214AA)      |
| SMBJ75A     | Unidirectional | 600             | -         | -                         | 83.3                      | 92.1                      | 75              | 121                | 1              | 5.2             | 150                 | SMB (DO-214AA)      |
| P6SMB91CA   | Bidirectional  | 600             | 5         | 91                        | 86.45                     | 95.5                      | 77.8            | 125                | 1              | 5               | 150                 | SMB (DO-214AA)      |
| P6SMB91A    | Unidirectional | 600             | 5         | 91                        | 86.45                     | 95.5                      | 77.8            | 125                | 1              | 5               | 150                 | SMB (DO-214AA)      |
| P6KE91CA    | Bidirectional  | 600             | 5         | 91                        | 86.5                      | 95.5                      | 77.8            | 125                | 1              | 5               | 175                 | DO-15               |
| P6KE91A     | Unidirectional | 600             | 5         | 91                        | 86.5                      | 95.5                      | 77.8            | 125                | 1              | 5               | 175                 | DO-15               |
| SMBJ78C     | Bidirectional  | 600             | -         | -                         | 86.7                      | 106                       | 78              | 139                | 1              | 4.5             | 150                 | SMB (DO-214AA)      |
| SMBJ78CA    | Bidirectional  | 600             | -         | -                         | 86.7                      | 95.8                      | 78              | 126                | 1              | 5               | 150                 | SMB (DO-214AA)      |
| SMBJ78      | Unidirectional | 600             | -         | -                         | 86.7                      | 106                       | 78              | 139                | 1              | 4.5             | 150                 | SMB (DO-214AA)      |
| SMBJ78A     | Unidirectional | 600             | -         | -                         | 86.7                      | 95.8                      | 78              | 126                | 1              | 5               | 150                 | SMB (DO-214AA)      |
| P6KE100C    | Bidirectional  | 600             | 10        | 100                       | 90                        | 110                       | 81              | 144                | 1              | 4.3             | 175                 | DO-15               |
| P6SMB100C   | Bidirectional  | 600             | 10        | 100                       | 90                        | 110                       | 81              | 144                | 1              | 4.3             | 150                 | SMB (DO-214AA)      |
| P6KE100     | Unidirectional | 600             | 10        | 100                       | 90                        | 110                       | 81              | 144                | 1              | 4.3             | 175                 | DO-15               |
| P6SMB100    | Unidirectional | 600             | 10        | 100                       | 90                        | 110                       | 81              | 144                | 1              | 4.3             | 150                 | SMB (DO-214AA)      |
| SMBJ85C     | Bidirectional  | 600             | -         | -                         | 94.4                      | 115                       | 85              | 151                | 1              | 4.1             | 150                 | SMB (DO-214AA)      |
| SMBJ85CA    | Bidirectional  | 600             | -         | -                         | 94.4                      | 104                       | 85              | 137                | 1              | 4.6             | 150                 | SMB (DO-214AA)      |

| Part Number | Family         | P <sub>PK</sub> | Tolerance | V <sub>BR</sub><br>(Nom.) | V <sub>BR</sub><br>(Min.) | V <sub>BR</sub><br>(Max.) | V <sub>WM</sub> | V <sub>clamp</sub> | I <sub>R</sub> | I <sub>PP</sub> | T <sub>J</sub> max. | Package Description |
|-------------|----------------|-----------------|-----------|---------------------------|---------------------------|---------------------------|-----------------|--------------------|----------------|-----------------|---------------------|---------------------|
|             |                | (W)             | +/- (%)   | (V)                       | (V)                       | (V)                       | (V)             | (V)                | (μA)           | (A)             | (°C)                |                     |
| SMBJ85      | Unidirectional | 600             | -         | -                         | 94.4                      | 115                       | 85              | 151                | 1              | 4.1             | 150                 | SMB (DO-214AA)      |
| SMBJ85A     | Unidirectional | 600             | -         | -                         | 94.4                      | 104                       | 85              | 137                | 1              | 4.6             | 150                 | SMB (DO-214AA)      |
| BZW06-85B   | Bidirectional  | 600             | -         | -                         | 95                        | 105                       | 85.5            | 137                | 1              | 4.4             | 175                 | DO-15               |
| P6KE100CA   | Bidirectional  | 600             | 5         | 100                       | 95                        | 105                       | 85.5            | 137                | 1              | 4.5             | 175                 | DO-15               |
| P6SMB100CA  | Bidirectional  | 600             | 5         | 100                       | 95                        | 105                       | 85.5            | 137                | 1              | 4.5             | 150                 | SMB (DO-214AA)      |
| BZW06-85    | Unidirectional | 600             | -         | -                         | 95                        | 105                       | 85.5            | 137                | 1              | 4.4             | 175                 | DO-15               |
| P6KE100A    | Unidirectional | 600             | 5         | 100                       | 95                        | 105                       | 85.5            | 137                | 1              | 4.5             | 175                 | DO-15               |
| P6SMB100A   | Unidirectional | 600             | 5         | 100                       | 95                        | 105                       | 85.5            | 137                | 1              | 4.5             | 150                 | SMB (DO-214AA)      |
| P6KE110C    | Bidirectional  | 600             | 10        | 110                       | 99                        | 121                       | 89.2            | 158                | 1              | 3.9             | 175                 | DO-15               |
| P6SMB110C   | Bidirectional  | 600             | 10        | 110                       | 99                        | 121                       | 89.2            | 158                | 1              | 3.9             | 150                 | SMB (DO-214AA)      |
| P6KE110     | Unidirectional | 600             | 10        | 110                       | 99                        | 121                       | 89.2            | 158                | 1              | 3.9             | 175                 | DO-15               |
| P6SMB110    | Unidirectional | 600             | 10        | 110                       | 99                        | 121                       | 89.2            | 158                | 1              | 3.9             | 150                 | SMB (DO-214AA)      |
| SMBJ90C     | Bidirectional  | 600             | -         | -                         | 100                       | 122                       | 90              | 160                | 1              | 3.9             | 150                 | SMB (DO-214AA)      |
| SMBJ90CA    | Bidirectional  | 600             | -         | -                         | 100                       | 111                       | 90              | 146                | 1              | 4.3             | 150                 | SMB (DO-214AA)      |
| SMBJ90      | Unidirectional | 600             | -         | -                         | 100                       | 122                       | 90              | 160                | 1              | 3.9             | 150                 | SMB (DO-214AA)      |
| SMBJ90A     | Unidirectional | 600             | -         | -                         | 100                       | 111                       | 90              | 146                | 1              | 4.3             | 150                 | SMB (DO-214AA)      |
| P6SMB110CA  | Bidirectional  | 600             | 5         | 110                       | 104.5                     | 115.5                     | 94              | 152                | 1              | 4.1             | 150                 | SMB (DO-214AA)      |
| P6SMB110A   | Unidirectional | 600             | 5         | 110                       | 104.5                     | 115.5                     | 94              | 152                | 1              | 4.1             | 150                 | SMB (DO-214AA)      |
| P6KE110CA   | Bidirectional  | 600             | 5         | 110                       | 105                       | 116                       | 94              | 152                | 1              | 4.1             | 175                 | DO-15               |
| P6KE110A    | Unidirectional | 600             | 5         | 110                       | 105                       | 116                       | 94              | 152                | 1              | 4.1             | 175                 | DO-15               |
| P6KE120C    | Bidirectional  | 600             | 10        | 120                       | 108                       | 132                       | 97.2            | 173                | 1              | 3.6             | 175                 | DO-15               |
| P6SMB120C   | Bidirectional  | 600             | 10        | 120                       | 108                       | 132                       | 97.2            | 173                | 1              | 3.6             | 150                 | SMB (DO-214AA)      |
| P6KE120     | Unidirectional | 600             | 10        | 120                       | 108                       | 132                       | 97.2            | 173                | 1              | 3.6             | 175                 | DO-15               |
| P6SMB120    | Unidirectional | 600             | 10        | 120                       | 108                       | 132                       | 97.2            | 173                | 1              | 3.6             | 150                 | SMB (DO-214AA)      |
| SMBJ100C    | Bidirectional  | 600             | -         | -                         | 111                       | 136                       | 100             | 179                | 1              | 3.5             | 150                 | SMB (DO-214AA)      |
| SMBJ100CA   | Bidirectional  | 600             | -         | -                         | 111                       | 123                       | 100             | 162                | 1              | 3.8             | 150                 | SMB (DO-214AA)      |
| SMBJ100     | Unidirectional | 600             | -         | -                         | 111                       | 136                       | 100             | 179                | 1              | 3.5             | 150                 | SMB (DO-214AA)      |
| SMBJ100A    | Unidirectional | 600             | -         | -                         | 111                       | 123                       | 100             | 162                | 1              | 3.8             | 150                 | SMB (DO-214AA)      |
| P6KE120CA   | Bidirectional  | 600             | 5         | 120                       | 114                       | 126                       | 102             | 165                | 1              | 3.8             | 175                 | DO-15               |
| P6SMB120CA  | Bidirectional  | 600             | 5         | 120                       | 114                       | 126                       | 102             | 165                | 1              | 3.8             | 150                 | SMB (DO-214AA)      |
| P6KE120A    | Unidirectional | 600             | 5         | 120                       | 114                       | 126                       | 102             | 165                | 1              | 3.8             | 175                 | DO-15               |
| P6SMB120A   | Unidirectional | 600             | 5         | 120                       | 114                       | 126                       | 102             | 165                | 1              | 3.8             | 150                 | SMB (DO-214AA)      |
| P6KE130C    | Bidirectional  | 600             | 10        | 130                       | 117                       | 143                       | 105             | 187                | 1              | 3.3             | 175                 | DO-15               |
| P6SMB130C   | Bidirectional  | 600             | 10        | 130                       | 117                       | 143                       | 105             | 187                | 1              | 3.3             | 150                 | SMB (DO-214AA)      |
| P6KE130     | Unidirectional | 600             | 10        | 130                       | 117                       | 143                       | 105             | 187                | 1              | 3.3             | 175                 | DO-15               |
| P6SMB130    | Unidirectional | 600             | 10        | 130                       | 117                       | 143                       | 105             | 187                | 1              | 3.3             | 150                 | SMB (DO-214AA)      |
| SMBJ110C    | Bidirectional  | 600             | -         | -                         | 122                       | 149                       | 110             | 196                | 1              | 3.2             | 150                 | SMB (DO-214AA)      |
| SMBJ110CA   | Bidirectional  | 600             | -         | -                         | 122                       | 135                       | 110             | 177                | 1              | 3.5             | 150                 | SMB (DO-214AA)      |
| SMBJ110     | Unidirectional | 600             | -         | -                         | 122                       | 149                       | 110             | 196                | 1              | 3.2             | 150                 | SMB (DO-214AA)      |
| SMBJ110A    | Unidirectional | 600             | -         | -                         | 122                       | 135                       | 110             | 177                | 1              | 3.5             | 150                 | SMB (DO-214AA)      |
| P6SMB130CA  | Bidirectional  | 600             | 5         | 130                       | 123.5                     | 136.5                     | 111             | 179                | 1              | 3.5             | 150                 | SMB (DO-214AA)      |
| P6SMB130A   | Unidirectional | 600             | 5         | 130                       | 123.5                     | 136.5                     | 111             | 179                | 1              | 3.5             | 150                 | SMB (DO-214AA)      |
| P6KE130CA   | Bidirectional  | 600             | 5         | 130                       | 124                       | 137                       | 111             | 179                | 1              | 3.5             | 175                 | DO-15               |
| P6KE130A    | Unidirectional | 600             | 5         | 130                       | 124                       | 137                       | 111             | 179                | 1              | 3.5             | 175                 | DO-15               |
| SMBJ120C    | Bidirectional  | 600             | -         | -                         | 133                       | 163                       | 120             | 214                | 1              | 2.9             | 150                 | SMB (DO-214AA)      |
| SMBJ120CA   | Bidirectional  | 600             | -         | -                         | 133                       | 147                       | 120             | 193                | 1              | 3.2             | 150                 | SMB (DO-214AA)      |



## DIODES - TVS

## DIODES - TVS

| Part Number | Family         | P <sub>PK</sub> | Tolerance | V <sub>BR</sub><br>(Nom.) | V <sub>BR</sub><br>(Min.) | V <sub>BR</sub><br>(Max.) | V <sub>WM</sub> | V <sub>clamp</sub> | I <sub>R</sub> | I <sub>PP</sub> | T <sub>J</sub> max. | Package Description |
|-------------|----------------|-----------------|-----------|---------------------------|---------------------------|---------------------------|-----------------|--------------------|----------------|-----------------|---------------------|---------------------|
|             |                | (W)             | +/- (%)   | (V)                       | (V)                       | (V)                       | (V)             | (V)                | (μA)           | (A)             | (°C)                |                     |
| SMBJ120     | Unidirectional | 600             | -         | -                         | 133                       | 163                       | 120             | 214                | 1              | 2.9             | 150                 | SMB (DO-214AA)      |
| SMBJ120A    | Unidirectional | 600             | -         | -                         | 133                       | 147                       | 120             | 193                | 1              | 3.2             | 150                 | SMB (DO-214AA)      |
| P6KE150C    | Bidirectional  | 600             | 10        | 150                       | 135                       | 165                       | 121             | 215                | 1              | 2.9             | 175                 | DO-15               |
| P6SMB150C   | Bidirectional  | 600             | 10        | 150                       | 135                       | 165                       | 121             | 215                | 1              | 2.9             | 150                 | SMB (DO-214AA)      |
| P6KE150     | Unidirectional | 600             | 10        | 150                       | 135                       | 165                       | 121             | 215                | 1              | 2.9             | 175                 | DO-15               |
| P6SMB150    | Unidirectional | 600             | 10        | 150                       | 135                       | 165                       | 121             | 215                | 1              | 2.9             | 150                 | SMB (DO-214AA)      |
| P6SMB150CA  | Bidirectional  | 600             | 5         | 150                       | 142.5                     | 157.5                     | 128             | 207                | 1              | 3               | 150                 | SMB (DO-214AA)      |
| P6SMB150A   | Unidirectional | 600             | 5         | 150                       | 142.5                     | 157.5                     | 128             | 207                | 1              | 3               | 150                 | SMB (DO-214AA)      |
| BZW06-128B  | Bidirectional  | 600             | -         | -                         | 143                       | 158                       | 128             | 207                | 1              | 2.9             | 175                 | DO-15               |
| P6KE150CA   | Bidirectional  | 600             | 5         | 150                       | 143                       | 158                       | 128             | 207                | 1              | 3               | 175                 | DO-15               |
| BZW06-128   | Unidirectional | 600             | -         | -                         | 143                       | 158                       | 128             | 207                | 1              | 2.9             | 175                 | DO-15               |
| P6KE150A    | Unidirectional | 600             | 5         | 150                       | 143                       | 158                       | 128             | 207                | 1              | 3               | 175                 | DO-15               |
| P6KE160C    | Bidirectional  | 600             | 10        | 160                       | 144                       | 176                       | 130             | 230                | 1              | 2.7             | 175                 | DO-15               |
| P6SMB160C   | Bidirectional  | 600             | 10        | 160                       | 144                       | 176                       | 130             | 230                | 1              | 2.7             | 150                 | SMB (DO-214AA)      |
| SMBJ130C    | Bidirectional  | 600             | -         | -                         | 144                       | 176                       | 130             | 231                | 1              | 2.7             | 150                 | SMB (DO-214AA)      |
| SMBJ130CA   | Bidirectional  | 600             | -         | -                         | 144                       | 159                       | 130             | 209                | 1              | 3               | 150                 | SMB (DO-214AA)      |
| P6SMB160    | Unidirectional | 600             | 10        | 160                       | 144                       | 176                       | 130             | 230                | 1              | 2.7             | 150                 | SMB (DO-214AA)      |
| SMBJ130     | Unidirectional | 600             | -         | -                         | 144                       | 176                       | 130             | 231                | 1              | 2.7             | 150                 | SMB (DO-214AA)      |
| SMBJ130A    | Unidirectional | 600             | -         | -                         | 144                       | 159                       | 130             | 209                | 1              | 3               | 150                 | SMB (DO-214AA)      |
| P6KE160CA   | Bidirectional  | 600             | 5         | 160                       | 152                       | 168                       | 136             | 219                | 1              | 2.8             | 175                 | DO-15               |
| P6SMB160CA  | Bidirectional  | 600             | 5         | 160                       | 152                       | 168                       | 136             | 219                | 1              | 2.8             | 150                 | SMB (DO-214AA)      |
| P6SMB160A   | Unidirectional | 600             | 5         | 160                       | 152                       | 168                       | 136             | 219                | 1              | 2.8             | 150                 | SMB (DO-214AA)      |
| P6KE170C    | Bidirectional  | 600             | 10        | 170                       | 153                       | 187                       | 138             | 244                | 1              | 2.5             | 175                 | DO-15               |
| P6SMB170C   | Bidirectional  | 600             | 10        | 170                       | 153                       | 187                       | 138             | 244                | 1              | 2.5             | 150                 | SMB (DO-214AA)      |
| P6KE170     | Unidirectional | 600             | 10        | 170                       | 153                       | 187                       | 138             | 244                | 1              | 2.5             | 175                 | DO-15               |
| P6SMB170    | Unidirectional | 600             | 10        | 170                       | 153                       | 187                       | 138             | 244                | 1              | 2.5             | 150                 | SMB (DO-214AA)      |
| P6SMB170CA  | Bidirectional  | 600             | 5         | 170                       | 161.5                     | 178.5                     | 145             | 234                | 1              | 2.6             | 150                 | SMB (DO-214AA)      |
| P6SMB170A   | Unidirectional | 600             | 5         | 170                       | 161.5                     | 178.5                     | 145             | 234                | 1              | 2.6             | 150                 | SMB (DO-214AA)      |
| P6KE170CA   | Bidirectional  | 600             | 5         | 170                       | 162                       | 179                       | 145             | 234                | 1              | 2.6             | 175                 | DO-15               |
| P6KE180C    | Bidirectional  | 600             | 10        | 180                       | 162                       | 198                       | 146             | 258                | 1              | 2.4             | 175                 | DO-15               |
| P6SMB180C   | Bidirectional  | 600             | 10        | 180                       | 162                       | 198                       | 146             | 258                | 1              | 2.4             | 150                 | SMB (DO-214AA)      |
| P6KE170A    | Unidirectional | 600             | 5         | 170                       | 162                       | 179                       | 145             | 234                | 1              | 2.6             | 175                 | DO-15               |
| P6KE180     | Unidirectional | 600             | 10        | 180                       | 162                       | 198                       | 146             | 258                | 1              | 2.4             | 175                 | DO-15               |
| P6SMB180    | Unidirectional | 600             | 10        | 180                       | 162                       | 198                       | 146             | 258                | 1              | 2.4             | 150                 | SMB (DO-214AA)      |
| SMBJ150C    | Bidirectional  | 600             | -         | -                         | 167                       | 204                       | 150             | 266                | 1              | 2.3             | 150                 | SMB (DO-214AA)      |
| SMBJ150CA   | Bidirectional  | 600             | -         | -                         | 167                       | 185                       | 150             | 243                | 1              | 2.5             | 150                 | SMB (DO-214AA)      |
| SMBJ150     | Unidirectional | 600             | -         | -                         | 167                       | 204                       | 150             | 266                | 1              | 2.3             | 150                 | SMB (DO-214AA)      |
| SMBJ150A    | Unidirectional | 600             | -         | -                         | 167                       | 185                       | 150             | 243                | 1              | 2.5             | 150                 | SMB (DO-214AA)      |
| BZW06-154B  | Bidirectional  | 600             | -         | -                         | 171                       | 189                       | 154             | 246                | 1              | 2.4             | 175                 | DO-15               |
| P6KE180CA   | Bidirectional  | 600             | 5         | 180                       | 171                       | 189                       | 154             | 246                | 1              | 2.5             | 175                 | DO-15               |
| P6SMB180CA  | Bidirectional  | 600             | 5         | 180                       | 171                       | 189                       | 154             | 246                | 1              | 2.5             | 150                 | SMB (DO-214AA)      |
| BZW06-154   | Unidirectional | 600             | -         | -                         | 171                       | 189                       | 154             | 246                | 1              | 2.4             | 175                 | DO-15               |
| P6KE180A    | Unidirectional | 600             | 5         | 180                       | 171                       | 189                       | 154             | 246                | 1              | 2.5             | 175                 | DO-15               |
| P6SMB180A   | Unidirectional | 600             | 5         | 180                       | 171                       | 189                       | 154             | 246                | 1              | 2.5             | 150                 | SMB (DO-214AA)      |
| SMBJ160C    | Bidirectional  | 600             | -         | -                         | 178                       | 218                       | 160             | 287                | 1              | 2.2             | 150                 | SMB (DO-214AA)      |
| SMBJ160CA   | Bidirectional  | 600             | -         | -                         | 178                       | 197                       | 160             | 259                | 1              | 2.4             | 150                 | SMB (DO-214AA)      |

| Part Number | Family         | P <sub>PK</sub> | Tolerance | V <sub>BR</sub><br>(Nom.) | V <sub>BR</sub><br>(Min.) | V <sub>BR</sub><br>(Max.) | V <sub>WM</sub> | V <sub>clamp</sub> | I <sub>R</sub> | I <sub>PP</sub> | T <sub>J</sub> max. | Package Description |
|-------------|----------------|-----------------|-----------|---------------------------|---------------------------|---------------------------|-----------------|--------------------|----------------|-----------------|---------------------|---------------------|
|             |                | (W)             | +/- (%)   | (V)                       | (V)                       | (V)                       | (V)             | (V)                | (μA)           | (A)             | (°C)                |                     |
| SMBJ160     | Unidirectional | 600             | -         | -                         | 178                       | 218                       | 160             | 287                | 1              | 2.2             | 150                 | SMB (DO-214AA)      |
| SMBJ160A    | Unidirectional | 600             | -         | -                         | 178                       | 197                       | 160             | 259                | 1              | 2.4             | 150                 | SMB (DO-214AA)      |
| P6KE200C    | Bidirectional  | 600             | 10        | 200                       | 180                       | 220                       | 162             | 287                | 1              | 2.1             | 175                 | DO-15               |
| P6SMB200C   | Bidirectional  | 600             | 10        | 200                       | 180                       | 220                       | 162             | 287                | 1              | 2.1             | 150                 | SMB (DO-214AA)      |
| P6KE200     | Unidirectional | 600             | 10        | 200                       | 180                       | 220                       | 162             | 287                | 1              | 2.1             | 175                 | DO-15               |
| P6SMB200    | Unidirectional | 600             | 10        | 200                       | 180                       | 220                       | 162             | 287                | 1              | 2.1             | 150                 | SMB (DO-214AA)      |
| SMBJ170C    | Bidirectional  | 600             | -         | -                         | 189                       | 231                       | 170             | 304                | 1              | 2               | 150                 | SMB (DO-214AA)      |
| SMBJ170CA   | Bidirectional  | 600             | -         | -                         | 189                       | 209                       | 170             | 275                | 1              | 2.2             | 150                 | SMB (DO-214AA)      |
| SMBJ170     | Unidirectional | 600             | -         | -                         | 189                       | 231                       | 170             | 304                | 1              | 2               | 150                 | SMB (DO-214AA)      |
| SMBJ170A    | Unidirectional | 600             | -         | -                         | 189                       | 209                       | 170             | 275                | 1              | 2.2             | 150                 | SMB (DO-214AA)      |
| BZW06-171B  | Bidirectional  | 600             | -         | -                         | 190                       | 210                       | 171             | 274                | 1              | 2.2             | 175                 | DO-15               |
| P6KE200CA   | Bidirectional  | 600             | 5         | 200                       | 190                       | 210                       | 171             | 274                | 1              | 2.2             | 175                 | DO-15               |
| P6SMB200CA  | Bidirectional  | 600             | 5         | 200                       | 190                       | 210                       | 171             | 274                | 1              | 2.2             | 150                 | SMB (DO-214AA)      |
| BZW06-171   | Unidirectional | 600             | -         | -                         | 190                       | 210                       | 171             | 274                | 1              | 2.2             | 175                 | DO-15               |
| P6KE200A    | Unidirectional | 600             | 5         | 200                       | 190                       | 210                       | 171             | 274                | 1              | 2.2             | 175                 | DO-15               |
| P6SMB200A   | Unidirectional | 600             | 5         | 200                       | 190                       | 210                       | 171             | 274                | 1              | 2.2             | 150                 | SMB (DO-214AA)      |
| P6KE220C    | Bidirectional  | 600             | 10        | 220                       | 198                       | 242                       | 175             | 344                | 1              | 1.8             | 175                 | DO-15               |
| P6KE220     | Unidirectional | 600             | 10        | 220                       | 198                       | 242                       | 175             | 344                | 1              | 1.8             | 175                 | DO-15               |
| P6SMB220    | Unidirectional | 600             | 10        | 220                       | 198                       | 242                       | 175             | 342                | 1              | 1.8             | 150                 | SMB (DO-214AA)      |
| SMBJ180A    | Unidirectional | 600             | -         | -                         | 201                       | 222                       | 180             | 292                | 1              | 2.1             | 150                 | SMB (DO-214AA)      |
| BZW06-188B  | Bidirectional  | 600             | -         | -                         | 209                       | 231                       | 188             | 301                | 1              | 2               | 175                 | DO-15               |
| P6KE220CA   | Bidirectional  | 600             | 5         | 220                       | 209                       | 231                       | 185             | 328                | 1              | 1.9             | 175                 | DO-15               |
| P6SMB220CA  | Bidirectional  | 600             | 5         | 220                       | 209                       | 231                       | 185             | 328                | 1              | 1.9             | 150                 | SMB (DO-214AA)      |
| BZW06-188   | Unidirectional | 600             | -         | -                         | 209                       | 231                       | 188             | 301                | 1              | 2               | 175                 | DO-15               |
| P6KE220A    | Unidirectional | 600             | 5         | 220                       | 209                       | 231                       | 185             | 328                | 1              | 1.9             | 175                 | DO-15               |
| P6SMB220A   | Unidirectional | 600             | 5         | 220                       | 209                       | 231                       | 185             | 328                | 1              | 1.9             | 150                 | SMB (DO-214AA)      |
| SMBJ200A    | Unidirectional | 600             | -         | -                         | 224                       | 247                       | 200             | 324                | 1              | 1.9             | 150                 | SMB (DO-214AA)      |
| P6KE250C    | Bidirectional  | 600             | 10        | 250                       | 225                       | 275                       | 202             | 360                | 1              | 1.7             | 175                 | DO-15               |
| P6KE250     | Unidirectional | 600             | 10        | 250                       | 225                       | 275                       | 202             | 360                | 1              | 1.7             | 175                 | DO-15               |
| BZW06-213B  | Bidirectional  | 600             | -         | -                         | 237                       | 263                       | 213             | 344                | 1              | 2               | 175                 | DO-15               |
| P6KE250CA   | Bidirectional  | 600             | 5         | 250                       | 237                       | 263                       | 214             | 344                | 1              | 1.8             | 175                 | DO-15               |
| BZW06-213   | Unidirectional | 600             | -         | -                         | 237                       | 263                       | 213             | 344                | 1              | 2               | 175                 | DO-15               |
| P6KE250A    | Unidirectional | 600             | 5         | 250                       | 237                       | 263                       | 214             | 344                | 1              | 1.8             | 175                 | DO-15               |
| SMBJ220A    | Unidirectional | 600             | -         | -                         | 246                       | 272                       | 220             | 356                | 1              | 1.7             | 150                 | SMB (DO-214AA)      |
| P6KE300C    | Bidirectional  | 600             | 10        | 300                       | 270                       | 330                       | 243             | 430                | 1              | 1.4             | 175                 | DO-15               |
| P6KE300     | Unidirectional | 600             | 10        | 300                       | 270                       | 330                       | 243             | 430                | 1              | 1.4             | 175                 | DO-15               |
| SMBJ250A    | Unidirectional | 600             | -         | -                         | 279                       | 309                       | 250             | 405                | 1              | 1.5             | 150                 | SMB (DO-214AA)      |
| BZW06-256B  | Bidirectional  | 600             | -         | -                         | 285                       | 315                       | 256             | 414                | 1              | 1.6             | 175                 | DO-15               |
| P6KE300CA   | Bidirectional  | 600             | 5         | 300                       | 285                       | 315                       | 256             | 414                | 1              | 1.5             | 175                 | DO-15               |
| P6SMB300A*  | Unidirectional | 600             | 5         | 300                       | 285                       | 315                       | 256             | 414                | 1              | 1.5             | 150                 | SMB (DO-214AA)      |
| BZW06-256   | Unidirectional | 600             | -         | -                         | 285                       | 315                       | 256             | 414                | 1              | 1.6             | 175                 | DO-15               |
| P6KE300A    | Unidirectional | 600             | 5         | 300                       | 285                       | 315                       | 256             | 414                | 1              | 1.5             | 175                 | DO-15               |
| P6SMB220C   | Bidirectional  | 600             | 10        | 220                       | 298                       | 242                       | 175             | 342                | 1              | 1.8             | 150                 | SMB (DO-214AA)      |
| BZW06-273B  | Bidirectional  | 600             | -         | -                         | 304                       | 336                       | 273             | 438                | 1              | 1.6             | 175                 | DO-15               |
| BZW06-273   | Unidirectional | 600             | -         | -                         | 304                       | 336                       | 273             | 438                | 1              | 1.6             | 175                 | DO-15               |
| P6KE350C    | Bidirectional  | 600             | 10        | 350                       | 315                       | 385                       | 284             | 504                | 1              | 1.2             | 175                 | DO-15               |

Note. \* - Q4/2014

## DIODES - TVS

| Part Number | Family         | P <sub>PK</sub> | Tolerance | V <sub>BR</sub><br>(Nom.) | V <sub>BR</sub><br>(Min.) | V <sub>BR</sub><br>(Max.) | V <sub>WM</sub> | V <sub>clamp</sub> | I <sub>R</sub> | I <sub>PP</sub> | T <sub>J</sub> max. | Package Description |
|-------------|----------------|-----------------|-----------|---------------------------|---------------------------|---------------------------|-----------------|--------------------|----------------|-----------------|---------------------|---------------------|
|             |                | (W)             | +/- (%)   | (V)                       | (V)                       | (V)                       | (V)             | (V)                | (μA)           | (A)             | (°C)                |                     |
| P6KE350     | Unidirectional | 600             | 10        | 350                       | 315                       | 385                       | 284             | 504                | 1              | 1.2             | 175                 | DO-15               |
| BZW06-299B  | Bidirectional  | 600             | -         | -                         | 332                       | 368                       | 299             | 482                | 1              | 1.6             | 175                 | DO-15               |
| BZW06-299   | Unidirectional | 600             | -         | -                         | 332                       | 368                       | 299             | 482                | 1              | 1.6             | 175                 | DO-15               |
| P6KE350A    | Unidirectional | 600             | 5         | 350                       | 332                       | 368                       | 300             | 482                | 1              | 1.3             | 175                 | DO-15               |
| P6SMB350A*  | Unidirectional | 600             | 5         | 350                       | 332                       | 368                       | 300             | 482                | 1              | 1.3             | 150                 | SMB (DO-214AA)      |
| P6KE350CA   | Bidirectional  | 600             | 5         | 350                       | 333                       | 368                       | 300             | 482                | 1              | 1.3             | 175                 | DO-15               |
| SMBJ300A    | Unidirectional | 600             | -         | -                         | 335                       | 371                       | 300             | 486                | 1              | 1.3             | 150                 | SMB (DO-214AA)      |
| P6KE400C    | Bidirectional  | 600             | 10        | 400                       | 360                       | 440                       | 324             | 574                | 1              | 1               | 175                 | DO-15               |
| P6KE400     | Unidirectional | 600             | 10        | 400                       | 360                       | 440                       | 324             | 574                | 1              | 1               | 175                 | DO-15               |
| BZW06-342B  | Bidirectional  | 600             | -         | -                         | 380                       | 420                       | 342             | 548                | 1              | 1.3             | 175                 | DO-15               |
| P6KE400CA   | Bidirectional  | 600             | 5         | 400                       | 380                       | 420                       | 342             | 548                | 1              | 1.1             | 175                 | DO-15               |
| P6SMB400A*  | Unidirectional | 600             | 5         | 400                       | 380                       | 420                       | 342             | 548                | 1              | 1.1             | 150                 | SMB (DO-214AA)      |
| BZW06-342   | Unidirectional | 600             | -         | -                         | 380                       | 420                       | 342             | 548                | 1              | 1.3             | 175                 | DO-15               |
| P6KE400A    | Unidirectional | 600             | 5         | 400                       | 380                       | 420                       | 342             | 548                | 1              | 1.1             | 175                 | DO-15               |
| SMBJ350A    | Unidirectional | 600             | -         | -                         | 391                       | 432                       | 350             | 567                | 1              | 1.1             | 150                 | SMB (DO-214AA)      |
| P6KE440C    | Bidirectional  | 600             | 10        | 440                       | 396                       | 484                       | 356             | 631                | 1              | 1               | 175                 | DO-15               |
| P6KE440     | Unidirectional | 600             | 10        | 440                       | 396                       | 484                       | 356             | 631                | 1              | 1               | 175                 | DO-15               |
| BZW06-376B  | Bidirectional  | 600             | -         | -                         | 418                       | 462                       | 376             | 603                | 1              | 1.3             | 175                 | DO-15               |
| P6KE440CA   | Bidirectional  | 600             | 5         | 440                       | 418                       | 462                       | 376             | 602                | 1              | 1.04            | 175                 | DO-15               |
| BZW06-376   | Unidirectional | 600             | -         | -                         | 418                       | 462                       | 376             | 603                | 1              | 1.3             | 175                 | DO-15               |
| P6KE440A    | Unidirectional | 600             | 5         | 440                       | 418                       | 462                       | 376             | 602                | 1              | 1.04            | 175                 | DO-15               |
| P6SMB440A*  | Unidirectional | 600             | 5         | 440                       | 418                       | 462                       | 376             | 602                | 1              | 1               | 150                 | SMB (DO-214AA)      |
| SMBJ400A    | Unidirectional | 600             | -         | -                         | 447                       | 494                       | 400             | 648                | 1              | 0.9             | 150                 | SMB (DO-214AA)      |
| P6SMB480A*  | Unidirectional | 600             | 5         | 480                       | 456                       | 504                       | 408             | 658                | 1              | 0.9             | 150                 | SMB (DO-214AA)      |
| P6SMB510A*  | Unidirectional | 600             | 5         | 510                       | 485                       | 535                       | 434             | 698                | 1              | 0.9             | 150                 | SMB (DO-214AA)      |
| SMBJ440A    | Unidirectional | 600             | -         | -                         | 492                       | 543                       | 440             | 713                | 1              | 0.9             | 150                 | SMB (DO-214AA)      |
| P6SMB530A   | Unidirectional | 600             | 5         | 530                       | 503.5                     | 556.5                     | 450             | 725                | 1              | 0.8             | 150                 | SMB (DO-214AA)      |
| P6SMB540A   | Unidirectional | 600             | 5         | 540                       | 513                       | 567                       | 459             | 740                | 1              | 0.8             | 150                 | SMB (DO-214AA)      |
| P6SMB550A   | Unidirectional | 600             | 5         | 550                       | 522.5                     | 577.5                     | 467             | 760                | 1              | 0.8             | 150                 | SMB (DO-214AA)      |
| 1KSMB39CA   | Bidirectional  | 1,000           | 5         | 39                        | 37.1                      | 41                        | 33.3            | 53.9               | 1              | 18.6            | 150                 | SMB (DO-214AA)      |
| 1KSMB39A    | Unidirectional | 1,000           | 5         | 39                        | 37.1                      | 41                        | 33.3            | 53.9               | 1              | 18.6            | 150                 | SMB (DO-214AA)      |
| 1.5KE6.8C   | Bidirectional  | 1,500           | 10        | 6.8                       | 6.12                      | 7.48                      | 5.5             | 10.8               | 1,000          | 145             | 175                 | DO-201              |
| 1.5SMC6.8C  | Bidirectional  | 1,500           | 10        | 6.8                       | 6.12                      | 7.48                      | 5.5             | 10.8               | 1,000          | 145             | 150                 | SMC (DO-214AB)      |
| 1.5KE6.8    | Unidirectional | 1,500           | 10        | 6.8                       | 6.12                      | 7.48                      | 5.5             | 10.8               | 1,000          | 145             | 175                 | DO-201              |
| 1.5SMC6.8   | Unidirectional | 1,500           | 10        | 6.8                       | 6.12                      | 7.48                      | 5.5             | 10.8               | 1,000          | 145             | 150                 | SMC (DO-214AB)      |
| SMCJ5.0C    | Bidirectional  | 1,500           | -         | -                         | 6.4                       | 7.3                       | 5               | 9.6                | 1,000          | 164             | 150                 | SMC (DO-214AB)      |
| SMCJ5.0CA   | Bidirectional  | 1,500           | -         | -                         | 6.4                       | 7                         | 5               | 9.2                | 1,000          | 171             | 150                 | SMC (DO-214AB)      |
| SMCJ5.0     | Unidirectional | 1,500           | -         | -                         | 6.4                       | 7.3                       | 5               | 9.6                | 1,000          | 164             | 150                 | SMC (DO-214AB)      |
| SMCJ5.0A    | Unidirectional | 1,500           | -         | -                         | 6.4                       | 7                         | 5               | 9.2                | 1,000          | 171             | 150                 | SMC (DO-214AB)      |
| 1.5SMC6.8CA | Bidirectional  | 1,500           | 5         | 6.8                       | 6.45                      | 7.14                      | 5.8             | 10.5               | 1,000          | 150             | 150                 | SMC (DO-214AB)      |
| 1.5KE6.8A   | Unidirectional | 1,500           | 5         | 6.8                       | 6.45                      | 7.14                      | 5.8             | 10.5               | 1,000          | 150             | 175                 | DO-201              |
| 1.5SMC6.8A  | Unidirectional | 1,500           | 5         | 6.8                       | 6.45                      | 7.14                      | 5.8             | 10.5               | 1,000          | 150             | 150                 | SMC (DO-214AB)      |
| 1.5KE6.8CA  | Bidirectional  | 1,500           | 5         | 6.8                       | 6.46                      | 7.14                      | 5.8             | 10.5               | 1,000          | 150             | 175                 | DO-201              |
| SMCJ6.0C    | Bidirectional  | 1,500           | -         | -                         | 6.67                      | 8.15                      | 6               | 11.4               | 1,000          | 138             | 150                 | SMC (DO-214AB)      |
| SMCJ6.0CA   | Bidirectional  | 1,500           | -         | -                         | 6.67                      | 7.37                      | 6               | 10.3               | 1,000          | 152             | 150                 | SMC (DO-214AB)      |
| SMCJ6.0     | Unidirectional | 1,500           | -         | -                         | 6.67                      | 8.15                      | 6               | 11.4               | 1,000          | 138             | 150                 | SMC (DO-214AB)      |

Note: \* - Q4/2014

## DIODES - TVS

| Part Number | Family         | P <sub>PK</sub> | Tolerance | V <sub>BR</sub><br>(Nom.) | V <sub>BR</sub><br>(Min.) | V <sub>BR</sub><br>(Max.) | V <sub>WM</sub> | V <sub>clamp</sub> | I <sub>R</sub> | I <sub>PP</sub> | T <sub>J</sub> max. | Package Description |
|-------------|----------------|-----------------|-----------|---------------------------|---------------------------|---------------------------|-----------------|--------------------|----------------|-----------------|---------------------|---------------------|
|             |                | (W)             | +/- (%)   | (V)                       | (V)                       | (V)                       | (V)             | (V)                | (μA)           | (A)             | (°C)                |                     |
| SMCJ6.0A    | Unidirectional | 1,500           | -         | -                         | 6.67                      | 7.37                      | 6               | 10.3               | 1000           | 152             | 150                 | SMC (DO-214AB)      |
| 1.5KE7.5C   | Bidirectional  | 1,500           | 10        | 7.5                       | 6.75                      | 8.25                      | 6.05            | 11.7               | 500            | 134             | 175                 | DO-201              |
| 1.5SMC7.5C  | Bidirectional  | 1,500           | 10        | 7.5                       | 6.75                      | 8.25                      | 6.05            | 11.7               | 500            | 134             | 150                 | SMC (DO-214AB)      |
| 1.5KE7.5    | Unidirectional | 1,500           | 10        | 7.5                       | 6.75                      | 8.25                      | 6.05            | 11.7               | 500            | 134             | 175                 | DO-201              |
| 1.5SMC7.5   | Unidirectional | 1,500           | 10        | 7.5                       | 6.75                      | 8.25                      | 6.05            | 11.7               | 500            | 134             | 150                 | SMC (DO-214AB)      |
| 1.5SMC7.5CA | Bidirectional  | 1,500           | 5         | 7.5                       | 7.125                     | 7.875                     | 6.4             | 11.3               | 500            | 139             | 150                 | SMC (DO-214AB)      |
| 1.5SMC7.5A  | Unidirectional | 1,500           | 5         | 7.5                       | 7.125                     | 7.875                     | 6.4             | 11.3               | 500            | 139             | 150                 | SMC (DO-214AB)      |
| 1.5KE7.5CA  | Bidirectional  | 1,500           | 5         | 7.5                       | 7.13                      | 7.88                      | 6.4             | 11.3               | 500            | 139             | 175                 | DO-201              |
| 1.5KE7.5A   | Unidirectional | 1,500           | 5         | 7.5                       | 7.13                      | 7.88                      | 6.4             | 11.3               | 500            | 139             | 175                 | DO-201              |
| SMCJ6.5C    | Bidirectional  | 1,500           | -         | -                         | 7.22                      | 8.82                      | 6.5             | 12.3               | 500            | 128             | 150                 | SMC (DO-214AB)      |
| SMCJ6.5CA   | Bidirectional  | 1,500           | -         | -                         | 7.22                      | 7.98                      | 6.5             | 11.2               | 500            | 140             | 150                 | SMC (DO-214AB)      |
| SMCJ6.5     | Unidirectional | 1,500           | -         | -                         | 7.22                      | 8.82                      | 6.5             | 12.3               | 500            | 128             | 150                 | SMC (DO-214AB)      |
| SMCJ6.5A    | Unidirectional | 1,500           | -         | -                         | 7.22                      | 7.98                      | 6.5             | 11.2               | 500            | 140             | 150                 | SMC (DO-214AB)      |
| 1.5KE8.2C   | Bidirectional  | 1,500           | 10        | 8.2                       | 7.38                      | 9.02                      | 6.63            | 12.5               | 200            | 126             | 175                 | DO-201              |
| 1.5SMC8.2C  | Bidirectional  | 1,500           | 10        | 8.2                       | 7.38                      | 9.02                      | 6.63            | 12.5               | 200            | 126             | 150                 | SMC (DO-214AB)      |
| 1.5KE8.2    | Unidirectional | 1,500           | 10        | 8.2                       | 7.38                      | 9.02                      | 6.63            | 12.5               | 200            | 126             | 175                 | DO-201              |
| 1.5SMC8.2   | Unidirectional | 1,500           | 10        | 8.2                       | 7.38                      | 9.02                      | 6.63            | 12.5               | 200            | 126             | 150                 | SMC (DO-214AB)      |
| SMCJ7.0C    | Bidirectional  | 1,500           | -         | -                         | 7.78                      | 9.51                      | 7               | 13.3               | 200            | 118             | 150                 | SMC (DO-214AB)      |
| SMCJ7.0CA   | Bidirectional  | 1,500           | -         | -                         | 7.78                      | 8.6                       | 7               | 12                 | 200            | 131             | 150                 | SMC (DO-214AB)      |
| SMCJ7.0     | Unidirectional | 1,500           | -         | -                         | 7.78                      | 9.51                      | 7               | 13.3               | 200            | 118             | 150                 | SMC (DO-214AB)      |
| SMCJ7.0A    | Unidirectional | 1,500           | -         | -                         | 7.78                      | 8.6                       | 7               | 12                 | 200            | 131             | 150                 | SMC (DO-214AB)      |
| 1.5KE8.2CA  | Bidirectional  | 1,500           | 5         | 8.2                       | 7.79                      | 8.61                      | 7.02            | 12.1               | 200            | 130             | 175                 | DO-201              |
| 1.5SMC8.2CA | Bidirectional  | 1,500           | 5         | 8.2                       | 7.79                      | 8.61                      | 7.02            | 12.1               | 200            | 130             | 150                 | SMC (DO-214AB)      |
| 1.5KE8.2A   | Unidirectional | 1,500           | 5         | 8.2                       | 7.79                      | 8.61                      | 7.02            | 12.1               | 200            | 130             | 175                 | DO-201              |
| 1.5SMC8.2A  | Unidirectional | 1,500           | 5         | 8.2                       | 7.79                      | 8.61                      | 7.02            | 12.1               | 200            | 130             | 150                 | SMC (DO-214AB)      |
| 1.5KE9.1C   | Bidirectional  | 1,500           | 10        | 9.1                       | 8.19                      | 10                        | 7.37            | 13.8               | 50             | 114             | 175                 | DO-201              |
| 1.5SMC9.1C  | Bidirectional  | 1,500           | 10        | 9.1                       | 8.19                      | 10.01                     | 7.37            | 13.8               | 50             | 114             | 150                 | SMC (DO-214AB)      |
| 1.5KE9.1    | Unidirectional | 1,500           | 10        | 9.1                       | 8.19                      | 10                        | 7.37            | 13.8               | 50             | 114             | 175                 | DO-201              |
| 1.5SMC9.1   | Unidirectional | 1,500           | 10        | 9.1                       | 8.19                      | 10.01                     | 7.37            | 13.8               | 50             | 114             | 150                 | SMC (DO-214AB)      |
| SMCJ7.5C    | Bidirectional  | 1,500           | -         | -                         | 8.33                      | 10.2                      | 7.5             | 14.3               | 100            | 110             | 150                 | SMC (DO-214AB)      |
| SMCJ7.5CA   | Bidirectional  | 1,500           | -         | -                         | 8.33                      | 9.21                      | 7.5             | 12.9               | 100            | 122             | 150                 | SMC (DO-214AB)      |
| SMCJ7.5     | Unidirectional | 1,500           | -         | -                         | 8.33                      | 10.3                      | 7.5             | 14.3               | 100            | 110             | 150                 | SMC (DO-214AB)      |
| SMCJ7.5A    | Unidirectional | 1,500           | -         | -                         | 8.33                      | 9.21                      | 7.5             | 12.9               | 100            | 122             | 150                 | SMC (DO-214AB)      |
| 1.5SMC9.1CA | Bidirectional  | 1,500           | 5         | 9.1                       | 8.645                     | 9.55                      | 7.78            | 13.4               | 50             | 117             | 150                 | SMC (DO-214AB)      |
| 1.5SMC9.1A  | Unidirectional | 1,500           | 5         | 9.1                       | 8.645                     | 9.55                      | 7.78            | 13.4               | 50             | 117             | 150                 | SMC (DO-214AB)      |
| 1.5KE9.1CA  | Bidirectional  | 1,500           | 5         | 9.1                       | 8.65                      | 9.55                      | 7.78            | 13.4               | 50             | 117             | 175                 | DO-201              |
| 1.5KE9.1A   | Unidirectional | 1,500           | 5         | 9.1                       | 8.65                      | 9.55                      | 7.78            | 13.4               | 50             | 117             | 175                 | DO-201              |
| SMCJ8.0C    | Bidirectional  | 1,500           | -         | -                         | 8.89                      | 10.9                      | 8               | 15                 | 50             | 105             | 150                 | SMC (DO-214AB)      |
| SMCJ8.0CA   | Bidirectional  | 1,500           | -         | -                         | 8.89                      | 9.83                      | 8               | 13.6               | 50             | 115             | 150                 | SMC (DO-214AB)      |
| SMCJ8.0     | Unidirectional | 1,500           | -         | -                         | 8.89                      | 10.9                      | 8               | 15                 | 50             | 105             | 150                 | SMC (DO-214AB)      |
| SMCJ8.0A    | Unidirectional | 1,500           | -         | -                         | 8.89                      | 9.83                      | 8               | 13.6               | 50             | 115             | 150                 | SMC (DO-214AB)      |
| 1.5KE10C    | Bidirectional  | 1,500           | 10        | 10                        | 9                         | 11                        | 8.1             | 15                 | 10             | 105             | 175                 | DO-201              |
| 1.5SMC10C   | Bidirectional  | 1,500           | 10        | 10                        | 9                         | 11                        | 8.1             | 15                 | 10             | 105             | 150                 | SMC (DO-214AB)      |
| 1.5SMC10    | Unidirectional | 1,500           | 10        | 10                        | 9                         | 11                        | 8.1             | 15                 | 10             | 105             | 150                 | SMC (DO-214AB)      |
| SMCJ8.5C    | Bidirectional  | 1,500           | -         | -                         | 9.44                      | 11.5                      | 8.5             | 15.9               | 20             | 99              | 150                 | SMC (DO-214AB)      |
| SMCJ8.5CA   | Bidirectional  | 1,500           | -         | -                         | 9.44                      | 10.4                      | 8.5             | 14.4               | 20             | 109             | 150                 | SMC (DO-214AB)      |



## DIODES - TVS

| Part Number | Family         | P <sub>PK</sub> | Tolerance | V <sub>BR</sub><br>(Nom.) | V <sub>BR</sub><br>(Min.) | V <sub>BR</sub><br>(Max.) | V <sub>WM</sub> | V <sub>clamp</sub> | I <sub>R</sub> | I <sub>PP</sub> | T <sub>J</sub> max. | Package Description |
|-------------|----------------|-----------------|-----------|---------------------------|---------------------------|---------------------------|-----------------|--------------------|----------------|-----------------|---------------------|---------------------|
|             |                | (W)             | +/- (%)   | (V)                       | (V)                       | (V)                       | (V)             | (V)                | (μA)           | (A)             | (°C)                |                     |
| SMCJ8.5     | Unidirectional | 1,500           | -         | -                         | 9.44                      | 11.5                      | 8.5             | 15.9               | 20             | 99              | 150                 | SMC (DO-214AB)      |
| SMCJ8.5A    | Unidirectional | 1,500           | -         | -                         | 9.44                      | 10.4                      | 8.5             | 14.4               | 20             | 109             | 150                 | SMC (DO-214AB)      |
| 1.5KE10CA   | Bidirectional  | 1,500           | 5         | 10                        | 9.5                       | 10.5                      | 8.55            | 14.5               | 10             | 108             | 175                 | DO-201              |
| 1.5SMC10CA  | Bidirectional  | 1,500           | 5         | 10                        | 9.5                       | 10.5                      | 8.55            | 14.5               | 10             | 108             | 150                 | SMC (DO-214AB)      |
| 1.5KE10A    | Unidirectional | 1,500           | 5         | 10                        | 9.5                       | 10.5                      | 8.55            | 14.5               | 10             | 108             | 175                 | DO-201              |
| 1.5SMC10A   | Unidirectional | 1,500           | 5         | 10                        | 9.5                       | 10.5                      | 8.55            | 14.5               | 10             | 108             | 150                 | SMC (DO-214AB)      |
| 1.5KE11C    | Bidirectional  | 1,500           | 10        | 11                        | 9.9                       | 12.1                      | 8.92            | 16.2               | 1              | 97              | 175                 | DO-201              |
| 1.5SMC11C   | Bidirectional  | 1,500           | 10        | 11                        | 9.9                       | 12.1                      | 8.92            | 16.2               | 1              | 97              | 150                 | SMC (DO-214AB)      |
| 1.5KE11     | Unidirectional | 1,500           | 10        | 11                        | 9.9                       | 12.1                      | 8.92            | 16.2               | 1              | 97              | 175                 | DO-201              |
| 1.5SMC11    | Unidirectional | 1,500           | 10        | 11                        | 9.9                       | 12.1                      | 8.92            | 16.2               | 1              | 97              | 150                 | SMC (DO-214AB)      |
| SMCJ9.0C    | Bidirectional  | 1,500           | -         | -                         | 10                        | 12.2                      | 9               | 16.9               | 10             | 93              | 150                 | SMC (DO-214AB)      |
| SMCJ9.0CA   | Bidirectional  | 1,500           | -         | -                         | 10                        | 11.1                      | 9               | 15.4               | 10             | 102             | 150                 | SMC (DO-214AB)      |
| SMCJ9.0     | Unidirectional | 1,500           | -         | -                         | 10                        | 12.2                      | 9               | 16.9               | 10             | 93              | 150                 | SMC (DO-214AB)      |
| SMCJ9.0A    | Unidirectional | 1,500           | -         | -                         | 10                        | 11.1                      | 9               | 15.4               | 10             | 102             | 150                 | SMC (DO-214AB)      |
| 1.5SMC11CA  | Bidirectional  | 1,500           | 5         | 11                        | 10.45                     | 11.55                     | 9.4             | 15.6               | 1              | 100             | 150                 | SMC (DO-214AB)      |
| 1.5SMC11A   | Unidirectional | 1,500           | 5         | 11                        | 10.45                     | 11.55                     | 9.4             | 15.6               | 1              | 100             | 150                 | SMC (DO-214AB)      |
| 1.5KE11CA   | Bidirectional  | 1,500           | 5         | 11                        | 10.5                      | 11.6                      | 9.4             | 15.6               | 1              | 100             | 175                 | DO-201              |
| 1.5KE11A    | Unidirectional | 1,500           | 5         | 11                        | 10.5                      | 11.6                      | 9.4             | 15.6               | 1              | 100             | 175                 | DO-201              |
| 1.5KE12C    | Bidirectional  | 1,500           | 10        | 12                        | 10.8                      | 13.2                      | 9.72            | 17.3               | 1              | 91              | 175                 | DO-201              |
| 1.5SMC12C   | Bidirectional  | 1,500           | 10        | 12                        | 10.8                      | 13.2                      | 9.72            | 17.3               | 1              | 91              | 150                 | SMC (DO-214AB)      |
| 1.5KE12     | Unidirectional | 1,500           | 10        | 12                        | 10.8                      | 13.2                      | 9.72            | 17.3               | 1              | 91              | 175                 | DO-201              |
| 1.5SMC12    | Unidirectional | 1,500           | 10        | 12                        | 10.8                      | 13.2                      | 9.72            | 17.3               | 1              | 91              | 150                 | SMC (DO-214AB)      |
| SMCJ10C     | Bidirectional  | 1,500           | -         | -                         | 11.1                      | 13.6                      | 10              | 18.8               | 5              | 83              | 150                 | SMC (DO-214AB)      |
| SMCJ10CA    | Bidirectional  | 1,500           | -         | -                         | 11.1                      | 12.3                      | 10              | 17                 | 5              | 92              | 150                 | SMC (DO-214AB)      |
| SMCJ10      | Unidirectional | 1,500           | -         | -                         | 11.1                      | 13.6                      | 10              | 18.8               | 5              | 83              | 150                 | SMC (DO-214AB)      |
| SMCJ10A     | Unidirectional | 1,500           | -         | -                         | 11.1                      | 12.3                      | 10              | 17                 | 5              | 92              | 150                 | SMC (DO-214AB)      |
| 1.5KE12CA   | Bidirectional  | 1,500           | 5         | 12                        | 11.4                      | 12.6                      | 10.2            | 16.7               | 1              | 94              | 175                 | DO-201              |
| 1.5SMC12CA  | Bidirectional  | 1,500           | 5         | 12                        | 11.4                      | 12.6                      | 10.2            | 16.7               | 1              | 94              | 150                 | SMC (DO-214AB)      |
| 1.5KE12A    | Unidirectional | 1,500           | 5         | 12                        | 11.4                      | 12.6                      | 10.2            | 16.7               | 1              | 94              | 175                 | DO-201              |
| 1.5SMC12A   | Unidirectional | 1,500           | 5         | 12                        | 11.4                      | 12.6                      | 10.2            | 16.7               | 1              | 94              | 150                 | SMC (DO-214AB)      |
| 1.5KE13C    | Bidirectional  | 1,500           | 10        | 13                        | 11.7                      | 14.3                      | 10.5            | 19                 | 1              | 82              | 175                 | DO-201              |
| 1.5SMC13C   | Bidirectional  | 1,500           | 10        | 13                        | 11.7                      | 14.3                      | 10.5            | 19                 | 1              | 82              | 150                 | SMC (DO-214AB)      |
| 1.5KE13     | Unidirectional | 1,500           | 10        | 13                        | 11.7                      | 14.3                      | 10.5            | 19                 | 1              | 82              | 175                 | DO-201              |
| 1.5SMC13    | Unidirectional | 1,500           | 10        | 13                        | 11.7                      | 14.3                      | 10.5            | 19                 | 1              | 82              | 150                 | SMC (DO-214AB)      |
| SMCJ11C     | Bidirectional  | 1,500           | -         | -                         | 12.2                      | 14.9                      | 11              | 20.1               | 1              | 78              | 150                 | SMC (DO-214AB)      |
| SMCJ11CA    | Bidirectional  | 1,500           | -         | -                         | 12.2                      | 13.5                      | 11              | 18.2               | 1              | 86              | 150                 | SMC (DO-214AB)      |
| SMCJ11      | Unidirectional | 1,500           | -         | -                         | 12.2                      | 14.9                      | 11              | 20.1               | 1              | 78              | 150                 | SMC (DO-214AB)      |
| SMCJ11A     | Unidirectional | 1,500           | -         | -                         | 12.2                      | 13.5                      | 11              | 18.2               | 1              | 86              | 150                 | SMC (DO-214AB)      |
| 1.5SMC13CA  | Bidirectional  | 1,500           | 5         | 13                        | 12.35                     | 13.65                     | 11.1            | 18.2               | 1              | 86              | 150                 | SMC (DO-214AB)      |
| 1.5SMC13A   | Unidirectional | 1,500           | 5         | 13                        | 12.35                     | 13.65                     | 11.1            | 18.2               | 1              | 86              | 150                 | SMC (DO-214AB)      |
| 1.5KE13CA   | Bidirectional  | 1,500           | 5         | 13                        | 12.4                      | 13.7                      | 11.1            | 18.2               | 1              | 86              | 175                 | DO-201              |
| 1.5KE13A    | Unidirectional | 1,500           | 5         | 13                        | 12.4                      | 13.7                      | 11.1            | 18.2               | 1              | 86              | 175                 | DO-201              |
| SMCJ12C     | Bidirectional  | 1,500           | -         | -                         | 13.3                      | 16.3                      | 12              | 22                 | 1              | 71              | 150                 | SMC (DO-214AB)      |
| SMCJ12CA    | Bidirectional  | 1,500           | -         | -                         | 13.3                      | 14.7                      | 12              | 19.9               | 1              | 79              | 150                 | SMC (DO-214AB)      |
| SMCJ12      | Unidirectional | 1,500           | -         | -                         | 13.3                      | 16.3                      | 12              | 22                 | 1              | 71              | 150                 | SMC (DO-214AB)      |
| SMCJ12A     | Unidirectional | 1,500           | -         | -                         | 13.3                      | 14.7                      | 12              | 19.9               | 1              | 79              | 150                 | SMC (DO-214AB)      |

## DIODES - TVS

| Part Number | Family         | P <sub>PK</sub> | Tolerance | V <sub>BR</sub><br>(Nom.) | V <sub>BR</sub><br>(Min.) | V <sub>BR</sub><br>(Max.) | V <sub>WM</sub> | V <sub>clamp</sub> | I <sub>R</sub> | I <sub>PP</sub> | T <sub>J</sub> max. | Package Description |
|-------------|----------------|-----------------|-----------|---------------------------|---------------------------|---------------------------|-----------------|--------------------|----------------|-----------------|---------------------|---------------------|
|             |                | (W)             | +/- (%)   | (V)                       | (V)                       | (V)                       | (V)             | (V)                | (μA)           | (A)             | (°C)                |                     |
| 1.5KE15C    | Bidirectional  | 1,500           | 10        | 15                        | 13.5                      | 16.5                      | 12.1            | 22                 | 1              | 71              | 175                 | DO-201              |
| 1.5SMC15C   | Bidirectional  | 1,500           | 10        | 15                        | 13.5                      | 16.5                      | 12.1            | 22                 | 1              | 71              | 150                 | SMC (DO-214AB)      |
| 1.5KE15     | Unidirectional | 1,500           | 10        | 15                        | 13.5                      | 16.5                      | 12.1            | 22                 | 1              | 71              | 175                 | DO-201              |
| 1.5SMC15    | Unidirectional | 1,500           | 10        | 15                        | 13.5                      | 16.5                      | 12.1            | 22                 | 1              | 71              | 150                 | SMC (DO-214AB)      |
| 1.5SMC15CA  | Bidirectional  | 1,500           | 5         | 15                        | 14.25                     | 15.75                     | 12.8            | 21.2               | 1              | 74              | 150                 | SMC (DO-214AB)      |
| 1.5SMC15A   | Unidirectional | 1,500           | 5         | 15                        | 14.25                     | 15.75                     | 12.8            | 21.2               | 1              | 74              | 150                 | SMC (DO-214AB)      |
| 1.5KE15CA   | Bidirectional  | 1,500           | 5         | 15                        | 14.3                      | 15.8                      | 12.8            | 21.2               | 1              | 74              | 175                 | DO-201              |
| 1.5KE15A    | Unidirectional | 1,500           | 5         | 15                        | 14.3                      | 15.8                      | 12.8            | 21.2               | 1              | 74              | 175                 | DO-201              |
| 1.5KE16C    | Bidirectional  | 1,500           | 10        | 16                        | 14.4                      | 17.6                      | 12.9            | 23.5               | 1              | 67              | 175                 | DO-201              |
| 1.5SMC16C   | Bidirectional  | 1,500           | 10        | 16                        | 14.4                      | 17.6                      | 12.9            | 23.5               | 1              | 67              | 150                 | SMC (DO-214AB)      |
| SMCJ13C     | Bidirectional  | 1,500           | -         | -                         | 14.4                      | 17.6                      | 13              | 23.8               | 1              | 66              | 150                 | SMC (DO-214AB)      |
| SMCJ13CA    | Bidirectional  | 1,500           | -         | -                         | 14.4                      | 15.9                      | 13              | 21.5               | 1              | 73              | 150                 | SMC (DO-214AB)      |
| 1.5KE16     | Unidirectional | 1,500           | 10        | 16                        | 14.4                      | 17.6                      | 12.9            | 23.5               | 1              | 67              | 175                 | DO-201              |
| 1.5SMC16    | Unidirectional | 1,500           | 10        | 16                        | 14.4                      | 17.6                      | 12.9            | 23.5               | 1              | 67              | 150                 | SMC (DO-214AB)      |
| SMCJ13      | Unidirectional | 1,500           | -         | -                         | 14.4                      | 17.6                      | 13              | 23.8               | 1              | 66              | 150                 | SMC (DO-214AB)      |
| SMCJ13A     | Unidirectional | 1,500           | -         | -                         | 14.4                      | 15.9                      | 13              | 21.5               | 1              | 73              | 150                 | SMC (DO-214AB)      |
| 1.5KE16CA   | Bidirectional  | 1,500           | 5         | 16                        | 15.2                      | 16.8                      | 13.6            | 22.5               | 1              | 70              | 175                 | DO-201              |
| 1.5SMC16CA  | Bidirectional  | 1,500           | 5         | 16                        | 15.2                      | 16.8                      | 13.6            | 22.5               | 1              | 70              | 150                 | SMC (DO-214AB)      |
| 1.5KE16A    | Unidirectional | 1,500           | 5         | 16                        | 15.2                      | 16.8                      | 13.6            | 22.5               | 1              | 70              | 175                 | DO-201              |
| 1.5SMC16A   | Unidirectional | 1,500           | 5         | 16                        | 15.2                      | 16.8                      | 13.6            | 22.5               | 1              | 70              | 150                 | SMC (DO-214AB)      |
| SMCJ14C     | Bidirectional  | 1,500           | -         | -                         | 15.6                      | 19.1                      | 14              | 25.8               | 1              | 61              | 150                 | SMC (DO-214AB)      |
| SMCJ14CA    | Bidirectional  | 1,500           | -         | -                         | 15.6                      | 17.2                      | 14              | 23.2               | 1              | 67              | 150                 | SMC (DO-214AB)      |
| SMCJ14      | Unidirectional | 1,500           | -         | -                         | 15.6                      | 19.1                      | 14              | 25.8               | 1              | 61              | 150                 | SMC (DO-214AB)      |
| SMCJ14A     | Unidirectional | 1,500           | -         | -                         | 15.6                      | 17.2                      | 14              | 23.2               | 1              | 67              | 150                 | SMC (DO-214AB)      |
| 1.5KE18C    | Bidirectional  | 1,500           | 10        | 18                        | 16.2                      | 19.8                      | 14.5            | 26.5               | 1              | 59              | 175                 | DO-201              |
| 1.5SMC18C   | Bidirectional  | 1,500           | 10        | 18                        | 16.2                      | 19.8                      | 14.5            | 26.5               | 1              | 59              | 150                 | SMC (DO-214AB)      |
| 1.5KE18     | Unidirectional | 1,500           | 10        | 18                        | 16.2                      | 19.8                      | 14.5            | 26.5               | 1              | 59              | 175                 | DO-201              |
| 1.5SMC18    | Unidirectional | 1,500           | 10        | 18                        | 16.2                      | 19.8                      | 14.5            | 26.5               | 1              | 59              | 150                 | SMC (DO-214AB)      |
| SMCJ15C     | Bidirectional  | 1,500           | -         | -                         | 16.7                      | 20.4                      | 15              | 26.9               | 1              | 58              | 150                 | SMC (DO-214AB)      |
| SMCJ15CA    | Bidirectional  | 1,500           | -         | -                         | 16.7                      | 18.5                      | 15              | 24.4               | 1              | 64              | 150                 | SMC (DO-214AB)      |
| SMCJ15      | Unidirectional | 1,500           | -         | -                         | 16.7                      | 20.4                      | 15              | 26.9               | 1              | 58              | 150                 | SMC (DO-214AB)      |
| SMCJ15A     | Unidirectional | 1,500           | -         | -                         | 16.7                      | 18.5                      | 15              | 24.4               | 1              | 64              | 150                 | SMC (DO-214AB)      |
| 1.5KE18CA   | Bidirectional  | 1,500           | 5         | 18                        | 17.1                      | 18.9                      | 15.3            | 25.5               | 1              | 60              | 175                 | DO-201              |
| 1.5SMC18CA  | Bidirectional  | 1,500           | 5         | 18                        | 17.1                      | 18.9                      | 15.3            | 25.5               | 1              | 60              | 150                 | SMC (DO-214AB)      |
| 1.5KE18A    | Unidirectional | 1,500           | 5         | 18                        | 17.1                      | 18.9                      | 15.3            | 25.5               | 1              | 60              | 175                 | DO-201              |
| 1.5SMC18A   | Unidirectional | 1,500           | 5         | 18                        | 17.1                      | 18.9                      | 15.3            | 25.5               | 1              | 60              | 150                 | SMC (DO-214AB)      |
| SMCJ16C     | Bidirectional  | 1,500           | -         | -                         | 17.8                      | 21.8                      | 16              | 28.8               | 1              | 54              | 150                 | SMC (DO-214AB)      |
| SMCJ16CA    | Bidirectional  | 1,500           | -         | -                         | 17.8                      | 19.7                      | 16              | 26                 | 1              | 60              | 150                 | SMC (DO-214AB)      |
| SMCJ16      | Unidirectional | 1,500           | -         | -                         | 17.8                      | 21.8                      | 16              | 28.8               | 1              | 54              | 150                 | SMC (DO-214AB)      |
| SMCJ16A     | Unidirectional | 1,500           | -         | -                         | 17.8                      | 19.7                      | 16              | 26                 | 1              | 60              | 150                 | SMC (DO-214AB)      |
| 1.5KE20C    | Bidirectional  | 1,500           | 10        | 20                        | 18                        | 22                        | 16.2            | 29.1               | 1              | 54              | 175                 | DO-201              |
| 1.5SMC20C   | Bidirectional  | 1,500           | 10        | 20                        | 18                        | 22                        | 16.2            | 29.1               | 1              | 54              | 150                 | SMC (DO-214AB)      |
| 1.5KE20     | Unidirectional | 1,500           | 10        | 20                        | 18                        | 22                        | 16.2            | 29.1               | 1              | 54              | 175                 | DO-201              |
| 1.5SMC20    | Unidirectional | 1,500           | 10        | 20                        | 18                        | 22                        | 16.2            | 29.1               | 1              | 54              | 150                 | SMC (DO-214AB)      |
| SMCJ17C     | Bidirectional  | 1,500           | -         | -                         | 18.9                      | 23.1                      | 17              | 30.5               | 1              | 51              | 150                 | SMC (DO-214AB)      |
| SMCJ17CA    | Bidirectional  | 1,500           | -         | -                         | 18.9                      | 20.9                      | 17              | 27.6               | 1              | 57              | 150                 | SMC (DO-214AB)      |

## DIODES - TVS

## DIODES - TVS

| Part Number | Family         | P <sub>PK</sub> | Tolerance | V <sub>BR</sub><br>(Nom.) | V <sub>BR</sub><br>(Min.) | V <sub>BR</sub><br>(Max.) | V <sub>WM</sub> | V <sub>clamp</sub> | I <sub>R</sub> | I <sub>PP</sub> | T <sub>J</sub> max. | Package Description |
|-------------|----------------|-----------------|-----------|---------------------------|---------------------------|---------------------------|-----------------|--------------------|----------------|-----------------|---------------------|---------------------|
|             |                | (W)             | +/- (%)   | (V)                       | (V)                       | (V)                       | (V)             | (V)                | (μA)           | (A)             | (°C)                |                     |
| SMCJ17      | Unidirectional | 1,500           | -         | -                         | 18.9                      | 23.1                      | 17              | 30.5               | 1              | 51              | 150                 | SMC (DO-214AB)      |
| SMCJ17A     | Unidirectional | 1,500           | -         | -                         | 18.9                      | 20.9                      | 17              | 27.6               | 1              | 57              | 150                 | SMC (DO-214AB)      |
| 1.5KE20CA   | Bidirectional  | 1,500           | 5         | 20                        | 19                        | 21                        | 17.1            | 27.7               | 1              | 56              | 175                 | DO-201              |
| 1.5SMC20CA  | Bidirectional  | 1,500           | 5         | 20                        | 19                        | 21                        | 17.1            | 27.7               | 1              | 56              | 150                 | SMC (DO-214AB)      |
| 1.5KE20A    | Unidirectional | 1,500           | 5         | 20                        | 19                        | 21                        | 17.1            | 27.7               | 1              | 56              | 175                 | DO-201              |
| 1.5SMC20A   | Unidirectional | 1,500           | 5         | 20                        | 19                        | 21                        | 17.1            | 27.7               | 1              | 56              | 150                 | SMC (DO-214AB)      |
| 1.5KE22C    | Bidirectional  | 1,500           | 10        | 22                        | 19.8                      | 24.2                      | 17.8            | 31.9               | 1              | 49              | 175                 | DO-201              |
| 1.5SMC22C   | Bidirectional  | 1,500           | 10        | 22                        | 19.8                      | 24.2                      | 17.8            | 31.9               | 1              | 49              | 150                 | SMC (DO-214AB)      |
| 1.5KE22     | Unidirectional | 1,500           | 10        | 22                        | 19.8                      | 24.2                      | 17.8            | 31.9               | 1              | 49              | 175                 | DO-201              |
| 1.5SMC22    | Unidirectional | 1,500           | 10        | 22                        | 19.8                      | 24.2                      | 17.8            | 31.9               | 1              | 49              | 150                 | SMC (DO-214AB)      |
| SMCJ18C     | Bidirectional  | 1,500           | -         | -                         | 20                        | 24.4                      | 18              | 32.2               | 1              | 48              | 150                 | SMC (DO-214AB)      |
| SMCJ18CA    | Bidirectional  | 1,500           | -         | -                         | 20                        | 22.1                      | 18              | 29.2               | 1              | 53              | 150                 | SMC (DO-214AB)      |
| SMCJ18      | Unidirectional | 1,500           | -         | -                         | 20                        | 24.4                      | 18              | 32.2               | 1              | 48              | 150                 | SMC (DO-214AB)      |
| SMCJ18A     | Unidirectional | 1,500           | -         | -                         | 20                        | 22.1                      | 18              | 29.2               | 1              | 53              | 150                 | SMC (DO-214AB)      |
| 1.5KE22CA   | Bidirectional  | 1,500           | 5         | 22                        | 20.9                      | 23.1                      | 18.8            | 30.6               | 1              | 51              | 175                 | DO-201              |
| 1.5SMC22CA  | Bidirectional  | 1,500           | 5         | 22                        | 20.9                      | 23.1                      | 18.8            | 30.6               | 1              | 51              | 150                 | SMC (DO-214AB)      |
| 1.5KE22A    | Unidirectional | 1,500           | 5         | 22                        | 20.9                      | 23.1                      | 18.8            | 30.6               | 1              | 51              | 175                 | DO-201              |
| 1.5SMC22A   | Unidirectional | 1,500           | 5         | 22                        | 20.9                      | 23.1                      | 18.8            | 30.6               | 1              | 51              | 150                 | SMC (DO-214AB)      |
| 1.5KE24C    | Bidirectional  | 1,500           | 10        | 24                        | 21.6                      | 26.4                      | 19.4            | 34.7               | 1              | 45              | 175                 | DO-201              |
| 1.5SMC24C   | Bidirectional  | 1,500           | 10        | 24                        | 21.6                      | 26.4                      | 19.4            | 34.7               | 1              | 45              | 150                 | SMC (DO-214AB)      |
| 1.5KE24     | Unidirectional | 1,500           | 10        | 24                        | 21.6                      | 26.4                      | 19.4            | 34.7               | 1              | 45              | 175                 | DO-201              |
| 1.5SMC24    | Unidirectional | 1,500           | 10        | 24                        | 21.6                      | 26.4                      | 19.4            | 34.7               | 1              | 45              | 150                 | SMC (DO-214AB)      |
| SMCJ20C     | Bidirectional  | 1,500           | -         | -                         | 22.2                      | 27.1                      | 20              | 35.8               | 1              | 43              | 150                 | SMC (DO-214AB)      |
| SMCJ20CA    | Bidirectional  | 1,500           | -         | -                         | 22.2                      | 24.5                      | 20              | 32.4               | 1              | 48              | 150                 | SMC (DO-214AB)      |
| SMCJ20      | Unidirectional | 1,500           | -         | -                         | 22.2                      | 27.1                      | 20              | 35.8               | 1              | 43              | 150                 | SMC (DO-214AB)      |
| SMCJ20A     | Unidirectional | 1,500           | -         | -                         | 22.2                      | 24.5                      | 20              | 32.4               | 1              | 48              | 150                 | SMC (DO-214AB)      |
| 1.5KE24CA   | Bidirectional  | 1,500           | 5         | 24                        | 22.8                      | 25.2                      | 20.5            | 33.2               | 1              | 47              | 175                 | DO-201              |
| 1.5SMC24CA  | Bidirectional  | 1,500           | 5         | 24                        | 22.8                      | 25.2                      | 20.5            | 33.2               | 1              | 47              | 150                 | SMC (DO-214AB)      |
| 1.5KE24A    | Unidirectional | 1,500           | 5         | 24                        | 22.8                      | 25.2                      | 20.5            | 33.2               | 1              | 47              | 175                 | DO-201              |
| 1.5SMC24A   | Unidirectional | 1,500           | 5         | 24                        | 22.8                      | 25.2                      | 20.5            | 33.2               | 1              | 47              | 150                 | SMC (DO-214AB)      |
| 1.5KE27C    | Bidirectional  | 1,500           | 10        | 27                        | 24.3                      | 29.7                      | 21.8            | 39.1               | 1              | 40              | 175                 | DO-201              |
| 1.5SMC27C   | Bidirectional  | 1,500           | 10        | 27                        | 24.3                      | 29.7                      | 21.8            | 39.1               | 1              | 40              | 150                 | SMC (DO-214AB)      |
| 1.5KE27     | Unidirectional | 1,500           | 10        | 27                        | 24.3                      | 29.7                      | 21.8            | 39.1               | 1              | 40              | 175                 | DO-201              |
| 1.5SMC27    | Unidirectional | 1,500           | 10        | 27                        | 24.3                      | 29.7                      | 21.8            | 39.1               | 1              | 40              | 150                 | SMC (DO-214AB)      |
| SMCJ22C     | Bidirectional  | 1,500           | -         | -                         | 24.4                      | 29.8                      | 22              | 39.4               | 1              | 39              | 150                 | SMC (DO-214AB)      |
| SMCJ22CA    | Bidirectional  | 1,500           | -         | -                         | 24.4                      | 26.9                      | 22              | 35.5               | 1              | 44              | 150                 | SMC (DO-214AB)      |
| SMCJ22      | Unidirectional | 1,500           | -         | -                         | 24.4                      | 29.8                      | 22              | 39.4               | 1              | 39              | 150                 | SMC (DO-214AB)      |
| SMCJ22A     | Unidirectional | 1,500           | -         | -                         | 24.4                      | 26.9                      | 22              | 35.5               | 1              | 44              | 150                 | SMC (DO-214AB)      |
| 1.5SMC27CA  | Bidirectional  | 1,500           | 5         | 27                        | 25.65                     | 28.35                     | 23.1            | 37.5               | 1              | 42              | 150                 | SMC (DO-214AB)      |
| 1.5SMC27A   | Unidirectional | 1,500           | 5         | 27                        | 25.65                     | 28.35                     | 23.1            | 37.5               | 1              | 42              | 150                 | SMC (DO-214AB)      |
| 1.5KE27CA   | Bidirectional  | 1,500           | 5         | 27                        | 25.7                      | 28.4                      | 23.1            | 37.5               | 1              | 42              | 175                 | DO-201              |
| 1.5KE27A    | Unidirectional | 1,500           | 5         | 27                        | 25.7                      | 28.4                      | 23.1            | 37.5               | 1              | 42              | 175                 | DO-201              |
| SMCJ24C     | Bidirectional  | 1,500           | -         | -                         | 26.7                      | 32.6                      | 24              | 43                 | 1              | 36              | 150                 | SMC (DO-214AB)      |
| SMCJ24CA    | Bidirectional  | 1,500           | -         | -                         | 26.7                      | 29.5                      | 24              | 38.9               | 1              | 40              | 150                 | SMC (DO-214AB)      |
| SMCJ24      | Unidirectional | 1,500           | -         | -                         | 26.7                      | 32.6                      | 24              | 43                 | 1              | 36              | 150                 | SMC (DO-214AB)      |
| SMCJ24A     | Unidirectional | 1,500           | -         | -                         | 26.7                      | 29.5                      | 24              | 38.9               | 1              | 40              | 150                 | SMC (DO-214AB)      |

| Part Number | Family         | P <sub>PK</sub> | Tolerance | V <sub>BR</sub><br>(Nom.) | V <sub>BR</sub><br>(Min.) | V <sub>BR</sub><br>(Max.) | V <sub>WM</sub> | V <sub>clamp</sub> | I <sub>R</sub> | I <sub>PP</sub> | T <sub>J</sub> max. | Package Description |
|-------------|----------------|-----------------|-----------|---------------------------|---------------------------|---------------------------|-----------------|--------------------|----------------|-----------------|---------------------|---------------------|
|             |                | (W)             | +/- (%)   | (V)                       | (V)                       | (V)                       | (V)             | (V)                | (μA)           | (A)             | (°C)                |                     |
| 1.5KE30C    | Bidirectional  | 1,500           | 10        | 30                        | 27                        | 33                        | 24.3            | 43.5               | 1              | 36              | 175                 | DO-201              |
| 1.5SMC30C   | Bidirectional  | 1,500           | 10        | 30                        | 27                        | 33                        | 24.3            | 43.5               | 1              | 36              | 150                 | SMC (DO-214AB)      |
| 1.5KE30     | Unidirectional | 1,500           | 10        | 30                        | 27                        | 33                        | 24.3            | 43.5               | 1              | 36              | 175                 | DO-201              |
| 1.5SMC30    | Unidirectional | 1,500           | 10        | 30                        | 27                        | 33                        | 24.3            | 43.5               | 1              | 36              | 150                 | SMC (DO-214AB)      |
| 1.5KE30CA   | Bidirectional  | 1,500           | 5         | 30                        | 28.5                      | 31.5                      | 25.6            | 41.4               | 1              | 38              | 175                 | DO-201              |
| 1.5SMC30CA  | Bidirectional  | 1,500           | 5         | 30                        | 28.5                      | 31.5                      | 25.6            | 41.4               | 1              | 38              | 150                 | SMC (DO-214AB)      |
| 1.5KE30A    | Unidirectional | 1,500           | 5         | 30                        | 28.5                      | 31.5                      | 25.6            | 41.4               | 1              | 38              | 175                 | DO-201              |
| 1.5SMC30A   | Unidirectional | 1,500           | 5         | 30                        | 28.5                      | 31.5                      | 25.6            | 41.4               | 1              | 38              | 150                 | SMC (DO-214AB)      |
| SMCJ26C     | Bidirectional  | 1,500           | -         | -                         | 28.9                      | 35.3                      | 26              | 46.6               | 1              | 33              | 150                 | SMC (DO-214AB)      |
| SMCJ26CA    | Bidirectional  | 1,500           | -         | -                         | 28.9                      | 31.9                      | 26              | 42.1               | 1              | 37              | 150                 | SMC (DO-214AB)      |
| SMCJ26      | Unidirectional | 1,500           | -         | -                         | 28.9                      | 35.3                      | 26              | 46.6               | 1              | 33              | 150                 | SMC (DO-214AB)      |
| SMCJ26A     | Unidirectional | 1,500           | -         | -                         | 28.9                      | 31.9                      | 26              | 42.1               | 1              | 37              | 150                 | SMC (DO-214AB)      |
| 1.5KE33C    | Bidirectional  | 1,500           | 10        | 33                        | 29.7                      | 36.3                      | 26.8            | 47.7               | 1              | 33              | 175                 | DO-201              |
| 1.5SMC33C   | Bidirectional  | 1,500           | 10        | 33                        | 29.7                      | 36.3                      | 26.8            | 47.7               | 1              | 33              | 150                 | SMC (DO-214AB)      |
| 1.5KE33     | Unidirectional | 1,500           | 10        | 33                        | 29.7                      | 36.3                      | 26.8            | 47.7               | 1              | 33              | 175                 | DO-201              |
| 1.5SMC33    | Unidirectional | 1,500           | 10        | 33                        | 29.7                      | 36.3                      | 26.8            | 47.7               | 1              | 33              | 150                 | SMC (DO-214AB)      |
| SMCJ28C     | Bidirectional  | 1,500           | -         | -                         | 31.1                      | 38                        | 28              | 50                 | 1              | 31              | 150                 | SMC (DO-214AB)      |
| SMCJ28CA    | Bidirectional  | 1,500           | -         | -                         | 31.1                      | 34.4                      | 28              | 45.4               | 1              | 34              | 150                 | SMC (DO-214AB)      |
| SMCJ28      | Unidirectional | 1,500           | -         | -                         | 31.1                      | 38                        | 28              | 50                 | 1              | 31              | 150                 | SMC (DO-214AB)      |
| SMCJ28A     | Unidirectional | 1,500           | -         | -                         | 31.1                      | 34.4                      | 28              | 45.4               | 1              | 34              | 150                 | SMC (DO-214AB)      |
| 1.5SMC33CA  | Bidirectional  | 1,500           | 5         | 33                        | 31.35                     | 34.65                     | 28.2            | 45.7               | 1              | 34              | 150                 | SMC (DO-214AB)      |
| 1.5SMC33A   | Unidirectional | 1,500           | 5         | 33                        | 31.35                     | 34.65                     | 28.2            | 45.7               | 1              | 34              | 150                 | SMC (DO-214AB)      |
| 1.5KE33CA   | Bidirectional  | 1,500           | 5         | 33                        | 31.4                      | 34.7                      | 28.2            | 45.7               | 1              | 34              | 175                 | DO-201              |
| 1.5KE33A    | Unidirectional | 1,500           | 5         | 33                        | 31.4                      | 34.7                      | 28.2            | 45.7               | 1              | 34              | 175                 | DO-201              |
| 1.5KE36C    | Bidirectional  | 1,500           | 10        | 36                        | 32.4                      | 39.6                      | 29.1            | 52                 | 1              | 30              | 175                 | DO-201              |
| 1.5SMC36C   | Bidirectional  | 1,500           | 10        | 36                        | 32.4                      | 39.6                      | 29.1            | 52                 | 1              | 30              | 150                 | SMC (DO-214AB)      |
| 1.5KE36     | Unidirectional | 1,500           | 10        | 36                        | 32.4                      | 39.6                      | 29.1            | 52                 | 1              | 30              | 175                 | DO-201              |
| 1.5SMC36    | Unidirectional | 1,500           | 10        | 36                        | 32.4                      | 39.6                      | 29.1            | 52                 | 1              | 30              | 150                 | SMC (DO-214AB)      |
| SMCJ30C     | Bidirectional  | 1,500           | -         | -                         | 33.3                      | 40.7                      | 30              | 53.5               | 1              | 29              | 150                 | SMC (DO-214AB)      |
| SMCJ30CA    | Bidirectional  | 1,500           | -         | -                         | 33.3                      | 36.8                      | 30              | 48.4               | 1              | 32              | 150                 | SMC (DO-214AB)      |
| SMCJ30      | Unidirectional | 1,500           | -         | -                         | 33.3                      | 40.7                      | 30              | 53.5               | 1              | 29              | 150                 | SMC (DO-214AB)      |
| SMCJ30A     | Unidirectional | 1,500           | -         | -                         | 33.3                      | 36.8                      | 30              | 48.4               | 1              | 32              | 150                 | SMC (DO-214AB)      |
| 1.5KE36CA   | Bidirectional  | 1,500           | 5         | 36                        | 34.2                      | 37.8                      | 30.8            | 49.9               | 1              | 31              | 175                 | DO-201              |
| 1.5SMC36CA  | Bidirectional  | 1,500           | 5         | 36                        | 34.2                      | 37.8                      | 30.8            | 49.9               | 1              | 31              | 150                 | SMC (DO-214AB)      |
| 1.5KE36A    | Unidirectional | 1,500           | 5         | 36                        | 34.2                      | 37.8                      | 30.8            | 49.9               | 1              | 31              | 175                 | DO-201              |
| 1.5SMC36A   | Unidirectional | 1,500           | 5         | 36                        | 34.2                      | 37.8                      | 30.8            | 49.9               | 1              | 31              | 150                 | SMC (DO-214AB)      |
| 1.5KE39C    | Bidirectional  | 1,500           | 10        | 39                        | 35.1                      | 42.9                      | 31.6            | 56.4               | 1              | 27              | 175                 | DO-201              |
| 1.5SMC39C   | Bidirectional  | 1,500           | 10        | 39                        | 35.1                      | 42.9                      | 31.6            | 56.4               | 1              | 27              | 150                 | SMC (DO-214AB)      |
| 1.5KE39     | Unidirectional | 1,500           | 10        | 39                        | 35.1                      | 42.9                      | 31.6            | 56.4               | 1              | 27              | 175                 | DO-201              |
| 1.5SMC39    | Unidirectional | 1,500           | 10        | 39                        | 35.1                      | 42.9                      | 31.6            | 56.4               | 1              | 27              | 150                 | SMC (DO-214AB)      |
| SMCJ33C     | Bidirectional  | 1,500           | -         | -                         | 36.7                      | 44.9                      | 33              | 59                 | 1              | 26              | 150                 | SMC (DO-214AB)      |
| SMCJ33CA    | Bidirectional  | 1,500           | -         | -                         | 36.7                      | 40.6                      | 33              | 53.3               | 1              | 29              | 150                 | SMC (DO-214AB)      |
| SMCJ33      | Unidirectional | 1,500           | -         | -                         | 36.7                      | 44.9                      | 33              | 59                 | 1              | 26              | 150                 | SMC (DO-214AB)      |
| SMCJ33A     | Unidirectional | 1,500           | -         | -                         | 36.7                      | 40.6                      | 33              | 53.3               | 1              | 29              | 150                 | SMC (DO-214AB)      |
| 1.5SMC39CA  | Bidirectional  | 1,500           | 5         | 39                        | 37.05                     | 40.95                     | 33.3            | 53.9               | 1              | 29              | 150                 | SMC (DO-214AB)      |
| 1.5SMC39A   | Unidirectional | 1,500           | 5         | 39                        | 37.05                     | 40.95                     | 33.3            | 53.9               | 1              | 29              | 150                 | SMC (DO-214AB)      |

## DIODES - TVS

| Part Number | Family         | P <sub>PK</sub> | Tolerance | V <sub>BR</sub> | V <sub>BR</sub> | V <sub>BR</sub> | V <sub>WM</sub> | V <sub>clamp</sub> | I <sub>R</sub> | I <sub>PP</sub> | T <sub>J</sub> max. | Package Description |
|-------------|----------------|-----------------|-----------|-----------------|-----------------|-----------------|-----------------|--------------------|----------------|-----------------|---------------------|---------------------|
|             |                | (W)             | +/- (%)   | (V)             | (V)             | (V)             | (V)             | (V)                | (μA)           | (A)             | (°C)                |                     |
| 1.5KE39CA   | Bidirectional  | 1,500           | 5         | 39              | 37.1            | 41              | 33.3            | 53.9               | 1              | 29              | 175                 | DO-201              |
| 1.5KE39A    | Unidirectional | 1,500           | 5         | 39              | 37.1            | 41              | 33.3            | 53.9               | 1              | 29              | 175                 | DO-201              |
| 1.5KE43C    | Bidirectional  | 1,500           | 10        | 43              | 38.7            | 47.3            | 34.8            | 61.9               | 1              | 25              | 175                 | DO-201              |
| 1.5SMC43C   | Bidirectional  | 1,500           | 10        | 43              | 38.7            | 47.3            | 34.8            | 61.9               | 1              | 25              | 150                 | SMC (DO-214AB)      |
| 1.5KE43     | Unidirectional | 1,500           | 10        | 43              | 38.7            | 47.3            | 34.8            | 61.9               | 1              | 25              | 175                 | DO-201              |
| 1.5SMC43    | Unidirectional | 1,500           | 10        | 43              | 38.7            | 47.3            | 34.8            | 61.9               | 1              | 25              | 150                 | SMC (DO-214AB)      |
| SMCJ36C     | Bidirectional  | 1,500           | -         | -               | 40              | 48.9            | 36              | 64.3               | 1              | 24              | 150                 | SMC (DO-214AB)      |
| SMCJ36CA    | Bidirectional  | 1,500           | -         | -               | 40              | 44.2            | 36              | 58.1               | 1              | 27              | 150                 | SMC (DO-214AB)      |
| SMCJ36      | Unidirectional | 1,500           | -         | -               | 40              | 48.9            | 36              | 64.3               | 1              | 24              | 150                 | SMC (DO-214AB)      |
| SMCJ36A     | Unidirectional | 1,500           | -         | -               | 40              | 44.2            | 36              | 58.1               | 1              | 27              | 150                 | SMC (DO-214AB)      |
| 1.5SMC43CA  | Bidirectional  | 1,500           | 5         | 43              | 40.85           | 45.15           | 36.8            | 59.3               | 1              | 26              | 150                 | SMC (DO-214AB)      |
| 1.5SMC43A   | Unidirectional | 1,500           | 5         | 43              | 40.85           | 45.15           | 36.8            | 59.3               | 1              | 26              | 150                 | SMC (DO-214AB)      |
| 1.5KE43CA   | Bidirectional  | 1,500           | 5         | 43              | 40.9            | 45.2            | 36.8            | 59.3               | 1              | 26              | 175                 | DO-201              |
| 1.5KE43A    | Unidirectional | 1,500           | 5         | 43              | 40.9            | 45.2            | 36.8            | 59.3               | 1              | 26              | 175                 | DO-201              |
| 1.5KE47C    | Bidirectional  | 1,500           | 10        | 47              | 42.3            | 51.7            | 38.1            | 67.8               | 1              | 23              | 175                 | DO-201              |
| 1.5SMC47C   | Bidirectional  | 1,500           | 10        | 47              | 42.3            | 51.7            | 38.1            | 67.8               | 1              | 23              | 150                 | SMC (DO-214AB)      |
| 1.5KE47     | Unidirectional | 1,500           | 10        | 47              | 42.3            | 51.7            | 38.1            | 67.8               | 1              | 23              | 175                 | DO-201              |
| 1.5SMC47    | Unidirectional | 1,500           | 10        | 47              | 42.3            | 51.7            | 38.1            | 67.8               | 1              | 23              | 150                 | SMC (DO-214AB)      |
| SMCJ40C     | Bidirectional  | 1,500           | -         | -               | 44.4            | 54.3            | 40              | 71.4               | 1              | 22              | 150                 | SMC (DO-214AB)      |
| SMCJ40CA    | Bidirectional  | 1,500           | -         | -               | 44.4            | 49.1            | 40              | 64.5               | 1              | 24              | 150                 | SMC (DO-214AB)      |
| SMCJ40      | Unidirectional | 1,500           | -         | -               | 44.4            | 54.3            | 40              | 71.4               | 1              | 22              | 150                 | SMC (DO-214AB)      |
| SMCJ40A     | Unidirectional | 1,500           | -         | -               | 44.4            | 49.1            | 40              | 64.5               | 1              | 24              | 150                 | SMC (DO-214AB)      |
| 1.5SMC47CA  | Bidirectional  | 1,500           | 5         | 47              | 44.65           | 49.35           | 40.2            | 64.8               | 1              | 24              | 150                 | SMC (DO-214AB)      |
| 1.5SMC47A   | Unidirectional | 1,500           | 5         | 47              | 44.65           | 49.35           | 40.2            | 64.8               | 1              | 24              | 150                 | SMC (DO-214AB)      |
| 1.5KE47CA   | Bidirectional  | 1,500           | 5         | 47              | 44.7            | 49.4            | 40.2            | 64.8               | 1              | 24              | 175                 | DO-201              |
| 1.5KE47A    | Unidirectional | 1,500           | 5         | 47              | 44.7            | 49.4            | 40.2            | 64.8               | 1              | 24              | 175                 | DO-201              |
| 1.5KE51C    | Bidirectional  | 1,500           | 10        | 51              | 45.9            | 56.1            | 41.3            | 73.5               | 1              | 21              | 175                 | DO-201              |
| 1.5SMC51C   | Bidirectional  | 1,500           | 10        | 51              | 45.9            | 56.1            | 41.3            | 73.5               | 1              | 21              | 150                 | SMC (DO-214AB)      |
| 1.5KE51     | Unidirectional | 1,500           | 10        | 51              | 45.9            | 56.1            | 41.3            | 73.5               | 1              | 21              | 175                 | DO-201              |
| 1.5SMC51    | Unidirectional | 1,500           | 10        | 51              | 45.9            | 56.1            | 41.3            | 73.5               | 1              | 21              | 150                 | SMC (DO-214AB)      |
| SMCJ43C     | Bidirectional  | 1,500           | -         | -               | 47.8            | 58.4            | 43              | 76.7               | 1              | 20              | 150                 | SMC (DO-214AB)      |
| SMCJ43CA    | Bidirectional  | 1,500           | -         | -               | 47.8            | 52.8            | 43              | 69.4               | 1              | 22              | 150                 | SMC (DO-214AB)      |
| SMCJ43      | Unidirectional | 1,500           | -         | -               | 47.8            | 58.4            | 43              | 76.7               | 1              | 20              | 150                 | SMC (DO-214AB)      |
| SMCJ43A     | Unidirectional | 1,500           | -         | -               | 47.8            | 52.8            | 43              | 69.4               | 1              | 22              | 150                 | SMC (DO-214AB)      |
| 1.5SMC51CA  | Bidirectional  | 1,500           | 5         | 51              | 48.45           | 53.55           | 43.6            | 70.1               | 1              | 22              | 150                 | SMC (DO-214AB)      |
| 1.5SMC51A   | Unidirectional | 1,500           | 5         | 51              | 48.45           | 53.55           | 43.6            | 70.1               | 1              | 22              | 150                 | SMC (DO-214AB)      |
| 1.5KE51CA   | Bidirectional  | 1,500           | 5         | 51              | 48.5            | 53.6            | 43.6            | 70.1               | 1              | 22              | 175                 | DO-201              |
| 1.5KE51A    | Unidirectional | 1,500           | 5         | 51              | 48.5            | 53.6            | 43.6            | 70.1               | 1              | 22              | 175                 | DO-201              |
| SMCJ45C     | Bidirectional  | 1,500           | -         | -               | 50              | 61.1            | 45              | 80.3               | 1              | 19              | 150                 | SMC (DO-214AB)      |
| SMCJ45CA    | Bidirectional  | 1,500           | -         | -               | 50              | 55.3            | 45              | 72.7               | 1              | 21              | 150                 | SMC (DO-214AB)      |
| SMCJ45      | Unidirectional | 1,500           | -         | -               | 50              | 61.1            | 45              | 80.3               | 1              | 19              | 150                 | SMC (DO-214AB)      |
| SMCJ45A     | Unidirectional | 1,500           | -         | -               | 50              | 55.3            | 45              | 72.7               | 1              | 21              | 150                 | SMC (DO-214AB)      |
| 1.5KE56C    | Bidirectional  | 1,500           | 10        | 56              | 50.4            | 61.6            | 45.4            | 80.5               | 1              | 19              | 175                 | DO-201              |
| 1.5SMC56C   | Bidirectional  | 1,500           | 10        | 56              | 50.4            | 61.6            | 45.4            | 80.5               | 1              | 19              | 150                 | SMC (DO-214AB)      |
| 1.5KE56     | Unidirectional | 1,500           | 10        | 56              | 50.4            | 61.8            | 45.4            | 80.5               | 1              | 19              | 175                 | DO-201              |
| 1.5SMC56    | Unidirectional | 1,500           | 10        | 56              | 50.4            | 61.6            | 45.4            | 80.5               | 1              | 19              | 150                 | SMC (DO-214AB)      |

## DIODES - TVS

| Part Number | Family         | P <sub>PK</sub> | Tolerance | V <sub>BR</sub> | V <sub>BR</sub> | V <sub>BR</sub> | V <sub>WM</sub> | V <sub>clamp</sub> | I <sub>R</sub> | I <sub>PP</sub> | T <sub>J</sub> max. | Package Description |
|-------------|----------------|-----------------|-----------|-----------------|-----------------|-----------------|-----------------|--------------------|----------------|-----------------|---------------------|---------------------|
|             |                | (W)             | +/- (%)   | (V)             | (V)             | (V)             | (V)             | (V)                | (μA)           | (A)             | (°C)                |                     |
| 1.5KE56CA   | Bidirectional  | 1,500           | 5         | 56              | 53.2            | 58.8            | 47.8            | 77                 | 1              | 20              | 175                 | DO-201              |
| 1.5SMC56CA  | Bidirectional  | 1,500           | 5         | 56              | 53.2            | 58.8            | 47.8            | 77                 | 1              | 20              | 150                 | SMC (DO-214AB)      |
| 1.5KE56A    | Unidirectional | 1,500           | 5         | 56              | 53.2            | 58.8            | 47.8            | 77                 | 1              | 20              | 175                 | DO-201              |
| 1.5SMC56A   | Unidirectional | 1,500           | 5         | 56              | 53.2            | 58.8            | 47.8            | 77                 | 1              | 20              | 150                 | SMC (DO-214AB)      |
| SMCJ48C     | Bidirectional  | 1,500           | -         | -               | 53.3            | 65.2            | 48              | 85.5               | 1              | 18              | 150                 | SMC (DO-214AB)      |
| SMCJ48CA    | Bidirectional  | 1,500           | -         | -               | 53.3            | 58.9            | 48              | 77.4               | 1              | 20              | 150                 | SMC (DO-214AB)      |
| SMCJ48      | Unidirectional | 1,500           | -         | -               | 53.3            | 65.1            | 48              | 85.5               | 1              | 18              | 150                 | SMC (DO-214AB)      |
| SMCJ48A     | Unidirectional | 1,500           | -         | -               | 53.3            | 58.9            | 48              | 77.4               | 1              | 20              | 150                 | SMC (DO-214AB)      |
| 1.5KE62C    | Bidirectional  | 1,500           | 10        | 62              | 55.8            | 68.2            | 50.2            | 89                 | 1              | 17              | 175                 | DO-201              |
| 1.5SMC62C   | Bidirectional  | 1,500           | 10        | 62              | 55.8            | 68.2            | 50.2            | 89                 | 1              | 17              | 150                 | SMC (DO-214AB)      |
| 1.5KE62     | Unidirectional | 1,500           | 10        | 62              | 55.8            | 68.2            | 50.2            | 89                 | 1              | 17              | 175                 | DO-201              |
| 1.5SMC62    | Unidirectional | 1,500           | 10        | 62              | 55.8            | 68.2            | 50.2            | 89                 | 1              | 17              | 150                 | SMC (DO-214AB)      |
| SMCJ51C     | Bidirectional  | 1,500           | -         | -               | 56.7            | 69.3            | 51              | 91.1               | 1              | 17              | 150                 | SMC (DO-214AB)      |
| SMCJ51CA    | Bidirectional  | 1,500           | -         | -               | 56.7            | 62.7            | 51              | 82.4               | 1              | 19              | 150                 | SMC (DO-214AB)      |
| SMCJ51      | Unidirectional | 1,500           | -         | -               | 56.7            | 69.3            | 51              | 91.1               | 1              | 17              | 150                 | SMC (DO-214AB)      |
| SMCJ51A     | Unidirectional | 1,500           | -         | -               | 56.7            | 62.7            | 51              | 82.4               | 1              | 19              | 150                 | SMC (DO-214AB)      |
| 1.5KE62CA   | Bidirectional  | 1,500           | 5         | 62              | 58.9            | 65.1            | 53              | 85                 | 1              | 18              | 175                 | DO-201              |
| 1.5SMC62CA  | Bidirectional  | 1,500           | 5         | 62              | 58.9            | 65.1            | 53              | 85                 | 1              | 18              | 150                 | SMC (DO-214AB)      |
| 1.5KE62A    | Unidirectional | 1,500           | 5         | 62              | 58.9            | 65.1            | 53              | 85                 | 1              | 18              | 175                 | DO-201              |
| 1.5SMC62A   | Unidirectional | 1,500           | 5         | 62              | 58.9            | 65.1            | 53              | 85                 | 1              | 18              | 150                 | SMC (DO-214AB)      |
| SMCJ54C     | Bidirectional  | 1,500           | -         | -               | 60              | 73.3            | 54              | 96.3               | 1              | 16              | 150                 | SMC (DO-214AB)      |
| SMCJ54CA    | Bidirectional  | 1,500           | -         | -               | 60              | 66.3            | 54              | 87.1               | 1              | 18              | 150                 | SMC (DO-214AB)      |
| SMCJ54      | Unidirectional | 1,500           | -         | -               | 60              | 73.3            | 54              | 96.3               | 1              | 16              | 150                 | SMC (DO-214AB)      |
| SMCJ54A     | Unidirectional | 1,500           | -         | -               | 60              | 66.3            | 54              | 87.1               | 1              | 18              | 150                 | SMC (DO-214AB)      |
| 1.5KE68C    | Bidirectional  | 1,500           | 10        | 68              | 61.2            | 74.8            | 55.1            | 98                 | 1              | 16              | 175                 | DO-201              |
| 1.5SMC68C   | Bidirectional  | 1,500           | 10        | 68              | 61.2            | 74.8            | 55.1            | 98                 | 1              | 16              | 150                 | SMC (DO-214AB)      |
| 1.5KE68     | Unidirectional | 1,500           | 10        | 68              | 61.2            | 74.8            | 55.1            | 98                 | 1              | 16              | 175                 | DO-201              |
| 1.5SMC68    | Unidirectional | 1,500           | 10        | 68              | 61.2            | 74.8            | 55.1            | 98                 | 1              | 16              | 150                 | SMC (DO-214AB)      |
| SMCJ58C     | Bidirectional  | 1,500           | -         | -               | 64.4            | 78.7            | 58              | 103                | 1              | 15              | 150                 | SMC (DO-214AB)      |
| SMCJ58CA    | Bidirectional  | 1,500           | -         | -               | 64.4            | 71.2            | 58              | 93.6               | 1              | 16              | 150                 | SMC (DO-214AB)      |
| SMCJ58      | Unidirectional | 1,500           | -         | -               | 64.4            | 78.7            | 58              | 103                | 1              | 15              | 150                 | SMC (DO-214AB)      |
| SMCJ58A     | Unidirectional | 1,500           | -         | -               | 64.4            | 71.2            | 58              | 93.6               | 1              | 16              | 150                 | SMC (DO-214AB)      |
| 1.5KE68CA   | Bidirectional  | 1,500           | 5         | 68              | 64.6            | 71.4            | 58.1            | 92                 | 1              | 17              | 175                 | DO-201              |
| 1.5SMC68CA  | Bidirectional  | 1,500           | 5         | 68              | 64.6            | 71.4            | 58.1            | 92                 | 1              | 17              | 150                 | SMC (DO-214AB)      |
| 1.5KE68A    | Unidirectional | 1,500           | 5         | 68              | 64.6            | 71.4            | 58.1            | 92                 | 1              | 17              | 175                 | DO-201              |
| 1.5SMC68A   | Unidirectional | 1,500           | 5         | 68              | 64.6            | 71.4            | 58.1            | 92                 | 1              | 17              | 150                 | SMC (DO-214AB)      |
| SMCJ60C     | Bidirectional  | 1,500           | -         | -               | 66.7            | 81.5            | 60              | 107                | 1              | 14              | 150                 | SMC (DO-214AB)      |
| SMCJ60CA    | Bidirectional  | 1,500           | -         | -               | 66.7            | 73.7            | 60              | 96.8               | 1              | 16              | 150                 | SMC (DO-214AB)      |
| SMCJ60      | Unidirectional | 1,500           | -         | -               | 66.7            | 81.5            | 60              | 107                | 1              | 14              | 150                 | SMC (DO-214AB)      |
| SMCJ60A     | Unidirectional | 1,500           | -         | -               | 66.7            | 73.7            | 60              | 96.8               | 1              | 16              | 150                 | SMC (DO-214AB)      |
| 1.5KE75C    | Bidirectional  | 1,500           | 10        | 75              | 67.5            | 82.5            | 60.7            | 108                | 1              | 14              | 175                 | DO-201              |
| 1.5SMC75C   | Bidirectional  | 1,500           | 10        | 75              | 67.5            | 82.5            | 60.7            | 108                | 1              | 14              | 150                 | SMC (DO-214AB)      |
| 1.5KE75     | Unidirectional | 1,500           | 10        | 75              | 67.5            | 82.5            | 60.7            | 108                | 1              | 14              | 175                 | DO-201              |
| 1.5SMC75    | Unidirectional | 1,500           | 10        | 75              | 67.5            | 82.5            | 60.7            | 108                | 1              | 14              | 150                 | SMC (DO-214AB)      |
| SMCJ64C     | Bidirectional  | 1,500           | -         | -               | 71.1            | 86.9            | 64              | 114                | 1              | 13.8            | 150                 | SMC (DO-214AB)      |
| SMCJ64CA    | Bidirectional  | 1,500           | -         | -               | 71.1            | 78.6            | 64              | 103                | 1              | 15              | 150                 | SMC (DO-214AB)      |



## DIODES - TVS

| Part Number | Family         | P <sub>PK</sub> | Tolerance | V <sub>BR</sub><br>(Nom.) | V <sub>BR</sub><br>(Min.) | V <sub>BR</sub><br>(Max.) | V <sub>WM</sub> | V <sub>clamp</sub> | I <sub>R</sub> | I <sub>PP</sub> | T <sub>J</sub> max. | Package Description |
|-------------|----------------|-----------------|-----------|---------------------------|---------------------------|---------------------------|-----------------|--------------------|----------------|-----------------|---------------------|---------------------|
|             |                | (W)             | +/- (%)   | (V)                       | (V)                       | (V)                       | (V)             | (V)                | (μA)           | (A)             | (°C)                |                     |
| SMCJ64      | Unidirectional | 1,500           | -         | -                         | 71.1                      | 86.9                      | 64              | 114                | 1              | 13.8            | 150                 | SMC (DO-214AB)      |
| SMCJ64A     | Unidirectional | 1,500           | -         | -                         | 71.1                      | 78.6                      | 64              | 103                | 1              | 15              | 150                 | SMC (DO-214AB)      |
| 1.5SMC75CA  | Bidirectional  | 1,500           | 5         | 75                        | 71.25                     | 78.75                     | 64.1            | 103                | 1              | 15              | 150                 | SMC (DO-214AB)      |
| 1.5SMC75A   | Unidirectional | 1,500           | 5         | 75                        | 71.25                     | 78.75                     | 64.1            | 103                | 1              | 15              | 150                 | SMC (DO-214AB)      |
| 1.5KE75CA   | Bidirectional  | 1,500           | 5         | 75                        | 71.3                      | 78.8                      | 6.4             | 11.3               | 500            | 139             | 175                 | DO-201              |
| 1.5KE75A    | Unidirectional | 1,500           | 5         | 75                        | 71.3                      | 78.8                      | 64.1            | 103                | 1              | 15              | 175                 | DO-201              |
| 1.5KE82C    | Bidirectional  | 1,500           | 10        | 82                        | 73.8                      | 90.2                      | 66.4            | 118                | 1              | 13              | 175                 | DO-201              |
| 1.5SMC82C   | Bidirectional  | 1,500           | 10        | 82                        | 73.8                      | 90.2                      | 66.4            | 118                | 1              | 13              | 150                 | SMC (DO-214AB)      |
| 1.5KE82     | Unidirectional | 1,500           | 10        | 82                        | 73.8                      | 90.2                      | 66.4            | 118                | 1              | 13              | 175                 | DO-201              |
| 1.5SMC82    | Unidirectional | 1,500           | 10        | 82                        | 73.8                      | 90.2                      | 66.4            | 118                | 1              | 13              | 150                 | SMC (DO-214AB)      |
| SMCJ70C     | Bidirectional  | 1,500           | -         | -                         | 77.8                      | 95.1                      | 70              | 125                | 1              | 12.6            | 150                 | SMC (DO-214AB)      |
| SMCJ70CA    | Bidirectional  | 1,500           | -         | -                         | 77.8                      | 86                        | 70              | 113                | 1              | 13.9            | 150                 | SMC (DO-214AB)      |
| SMCJ70      | Unidirectional | 1,500           | -         | -                         | 77.8                      | 95.1                      | 70              | 125                | 1              | 12.6            | 150                 | SMC (DO-214AB)      |
| SMCJ70A     | Unidirectional | 1,500           | -         | -                         | 77.8                      | 86                        | 70              | 113                | 1              | 13.9            | 150                 | SMC (DO-214AB)      |
| 1.5KE82CA   | Bidirectional  | 1,500           | 5         | 82                        | 77.9                      | 86.1                      | 70.1            | 113                | 1              | 13.9            | 175                 | DO-201              |
| 1.5SMC82CA  | Bidirectional  | 1,500           | 5         | 82                        | 77.9                      | 86.1                      | 70.1            | 113                | 1              | 13.9            | 150                 | SMC (DO-214AB)      |
| 1.5KE82A    | Unidirectional | 1,500           | 5         | 82                        | 77.9                      | 86.1                      | 70.1            | 113                | 1              | 13.9            | 175                 | DO-201              |
| 1.5SMC82A   | Unidirectional | 1,500           | 5         | 82                        | 77.9                      | 86.1                      | 70.1            | 113                | 1              | 13.9            | 150                 | SMC (DO-214AB)      |
| 1.5KE91C    | Bidirectional  | 1,500           | 10        | 91                        | 81.9                      | 100                       | 73.7            | 131                | 1              | 12              | 175                 | DO-201              |
| 1.5SMC91C   | Bidirectional  | 1,500           | 10        | 91                        | 81.9                      | 100.1                     | 73.7            | 131                | 1              | 12              | 150                 | SMC (DO-214AB)      |
| 1.5KE91     | Unidirectional | 1,500           | 10        | 91                        | 81.9                      | 100                       | 73.7            | 131                | 1              | 12              | 175                 | DO-201              |
| 1.5SMC91    | Unidirectional | 1,500           | 10        | 91                        | 81.9                      | 100.1                     | 73.7            | 131                | 1              | 12              | 150                 | SMC (DO-214AB)      |
| SMCJ75C     | Bidirectional  | 1,500           | -         | -                         | 83.3                      | 102                       | 75              | 134                | 1              | 11.7            | 150                 | SMC (DO-214AB)      |
| SMCJ75CA    | Bidirectional  | 1,500           | -         | -                         | 83.3                      | 92.1                      | 75              | 121                | 1              | 13              | 150                 | SMC (DO-214AB)      |
| SMCJ75      | Unidirectional | 1,500           | -         | -                         | 83.3                      | 102                       | 75              | 134                | 1              | 11.7            | 150                 | SMC (DO-214AB)      |
| SMCJ75A     | Unidirectional | 1,500           | -         | -                         | 83.3                      | 92.1                      | 75              | 121                | 1              | 13              | 150                 | SMC (DO-214AB)      |
| 1.5SMC91CA  | Bidirectional  | 1,500           | 5         | 91                        | 86.45                     | 95.5                      | 77.8            | 125                | 1              | 12.6            | 150                 | SMC (DO-214AB)      |
| 1.5SMC91A   | Unidirectional | 1,500           | 5         | 91                        | 86.45                     | 95.5                      | 77.8            | 125                | 1              | 12.6            | 150                 | SMC (DO-214AB)      |
| 1.5KE91CA   | Bidirectional  | 1,500           | 5         | 91                        | 86.5                      | 95.5                      | 77.8            | 125                | 1              | 12.6            | 175                 | DO-201              |
| 1.5KE91A    | Unidirectional | 1,500           | 5         | 91                        | 86.5                      | 95.5                      | 77.8            | 125                | 1              | 12.6            | 175                 | DO-201              |
| SMCJ78C     | Bidirectional  | 1,500           | -         | -                         | 86.7                      | 106                       | 78              | 139                | 1              | 11.3            | 150                 | SMC (DO-214AB)      |
| SMCJ78CA    | Bidirectional  | 1,500           | -         | -                         | 86.7                      | 95.8                      | 78              | 126                | 1              | 12.5            | 150                 | SMC (DO-214AB)      |
| SMCJ78      | Unidirectional | 1,500           | -         | -                         | 86.7                      | 106                       | 78              | 139                | 1              | 11.3            | 150                 | SMC (DO-214AB)      |
| SMCJ78A     | Unidirectional | 1,500           | -         | -                         | 86.7                      | 95.8                      | 78              | 126                | 1              | 12.5            | 150                 | SMC (DO-214AB)      |
| 1.5KE100C   | Bidirectional  | 1,500           | 10        | 100                       | 90                        | 110                       | 81              | 144                | 1              | 10.9            | 175                 | DO-201              |
| 1.5SMC100C  | Bidirectional  | 1,500           | 10        | 100                       | 90                        | 110                       | 81              | 144                | 1              | 10.9            | 150                 | SMC (DO-214AB)      |
| 1.5SMC100   | Unidirectional | 1,500           | 10        | 100                       | 90                        | 110                       | 81              | 144                | 1              | 10.9            | 150                 | SMC (DO-214AB)      |
| SMCJ85C     | Bidirectional  | 1,500           | -         | -                         | 94.4                      | 115                       | 85              | 151                | 1              | 10.4            | 150                 | SMC (DO-214AB)      |
| SMCJ85CA    | Bidirectional  | 1,500           | -         | -                         | 94.4                      | 104                       | 85              | 137                | 1              | 11.5            | 150                 | SMC (DO-214AB)      |
| SMCJ85      | Unidirectional | 1,500           | -         | -                         | 94.4                      | 115                       | 85              | 151                | 1              | 10.4            | 150                 | SMC (DO-214AB)      |
| SMCJ85A     | Unidirectional | 1,500           | -         | -                         | 94.4                      | 104                       | 85              | 137                | 1              | 11.5            | 150                 | SMC (DO-214AB)      |
| 1.5KE100CA  | Bidirectional  | 1,500           | 5         | 100                       | 95                        | 105                       | 85.5            | 137                | 1              | 11.4            | 175                 | DO-201              |
| 1.5SMC100CA | Bidirectional  | 1,500           | 5         | 100                       | 95                        | 105                       | 85.5            | 137                | 1              | 11.4            | 150                 | SMC (DO-214AB)      |
| 1.5KE100A   | Unidirectional | 1,500           | 5         | 100                       | 95                        | 105                       | 85.5            | 137                | 1              | 11.4            | 175                 | DO-201              |
| 1.5SMC100A  | Unidirectional | 1,500           | 5         | 100                       | 95                        | 105                       | 85.5            | 137                | 1              | 11.4            | 150                 | SMC (DO-214AB)      |
| 1.5KE110C   | Bidirectional  | 1,500           | 10        | 110                       | 99                        | 121                       | 8.92            | 16.2               | 1              | 97              | 175                 | DO-201              |

## DIODES - TVS

| Part Number | Family         | P <sub>PK</sub> | Tolerance | V <sub>BR</sub><br>(Nom.) | V <sub>BR</sub><br>(Min.) | V <sub>BR</sub><br>(Max.) | V <sub>WM</sub> | V <sub>clamp</sub> | I <sub>R</sub> | I <sub>PP</sub> | T <sub>J</sub> max. | Package Description |
|-------------|----------------|-----------------|-----------|---------------------------|---------------------------|---------------------------|-----------------|--------------------|----------------|-----------------|---------------------|---------------------|
|             |                | (W)             | +/- (%)   | (V)                       | (V)                       | (V)                       | (V)             | (V)                | (μA)           | (A)             | (°C)                |                     |
| 1.5SMC110C  | Bidirectional  | 1,500           | 10        | 110                       | 99                        | 121                       | 89.2            | 158                | 1              | 9.9             | 150                 | SMC (DO-214AB)      |
| 1.5KE110    | Unidirectional | 1,500           | 10        | 110                       | 99                        | 121                       | 89.2            | 158                | 1              | 9.9             | 175                 | DO-201              |
| 1.5SMC110   | Unidirectional | 1,500           | 10        | 110                       | 99                        | 121                       | 89.2            | 158                | 1              | 9.9             | 150                 | SMC (DO-214AB)      |
| SMCJ90C     | Bidirectional  | 1,500           | -         | -                         | 100                       | 122                       | 90              | 160                | 1              | 9.8             | 150                 | SMC (DO-214AB)      |
| SMCJ90CA    | Bidirectional  | 1,500           | -         | -                         | 100                       | 111                       | 90              | 146                | 1              | 10.7            | 150                 | SMC (DO-214AB)      |
| SMCJ90      | Unidirectional | 1,500           | -         | -                         | 100                       | 122                       | 90              | 160                | 1              | 9.8             | 150                 | SMC (DO-214AB)      |
| SMCJ90A     | Unidirectional | 1,500           | -         | -                         | 100                       | 111                       | 90              | 146                | 1              | 10.7            | 150                 | SMC (DO-214AB)      |
| 1.5SMC110CA | Bidirectional  | 1,500           | 5         | 110                       | 104.5                     | 115.5                     | 94              | 152                | 1              | 10.3            | 150                 | SMC (DO-214AB)      |
| 1.5SMC110A  | Unidirectional | 1,500           | 5         | 110                       | 104.5                     | 115.5                     | 94              | 152                | 1              | 10.3            | 150                 | SMC (DO-214AB)      |
| 1.5KE110CA  | Bidirectional  | 1,500           | 5         | 110                       | 105                       | 116                       | 94              | 152                | 1              | 10.3            | 175                 | DO-201              |
| 1.5KE110A   | Unidirectional | 1,500           | 5         | 110                       | 105                       | 116                       | 94              | 152                | 1              | 10.3            | 175                 | DO-201              |
| 1.5KE120C   | Bidirectional  | 1,500           | 10        | 120                       | 108                       | 132                       | 97.2            | 173                | 1              | 9.1             | 175                 | DO-201              |
| 1.5SMC120C  | Bidirectional  | 1,500           | 10        | 120                       | 108                       | 132                       | 97.2            | 173                | 1              | 9.1             | 150                 | SMC (DO-214AB)      |
| 1.5KE120    | Unidirectional | 1,500           | 10        | 120                       | 108                       | 132                       | 97.2            | 173                | 1              | 9.1             | 175                 | DO-201              |
| 1.5SMC120   | Unidirectional | 1,500           | 10        | 120                       | 108                       | 132                       | 97.2            | 173                | 1              | 9.1             | 150                 | SMC (DO-214AB)      |
| SMCJ100C    | Bidirectional  | 1,500           | -         | -                         | 111                       | 136                       | 100             | 179                | 1              | 8.8             | 150                 | SMC (DO-214AB)      |
| SMCJ100CA   | Bidirectional  | 1,500           | -         | -                         | 111                       | 123                       | 100             | 162                | 1              | 9.7             | 150                 | SMC (DO-214AB)      |
| SMCJ100     | Unidirectional | 1,500           | -         | -                         | 111                       | 136                       | 100             | 179                | 1              | 8.8             | 150                 | SMC (DO-214AB)      |
| SMCJ100A    | Unidirectional | 1,500           | -         | -                         | 111                       | 123                       | 100             | 162                | 1              | 9.7             | 150                 | SMC (DO-214AB)      |
| 1.5KE120CA  | Bidirectional  | 1,500           | 5         | 120                       | 114                       | 126                       | 102             | 165                | 1              | 9.5             | 175                 | DO-201              |
| 1.5SMC120CA | Bidirectional  | 1,500           | 5         | 120                       | 114                       | 126                       | 102             | 165                | 1              | 9.5             | 150                 | SMC (DO-214AB)      |
| 1.5KE120A   | Unidirectional | 1,500           | 5         | 120                       | 114                       | 126                       | 102             | 165                | 1              | 9.5             | 175                 | DO-201              |
| 1.5SMC120A  | Unidirectional | 1,500           | 5         | 120                       | 114                       | 126                       | 102             | 165                | 1              | 9.5             | 150                 | SMC (DO-214AB)      |
| 1.5KE130C   | Bidirectional  | 1,500           | 10        | 130                       | 117                       | 143                       | 105             | 187                | 1              | 8.4             | 175                 | DO-201              |
| 1.5SMC130C  | Bidirectional  | 1,500           | 10        | 130                       | 117                       | 143                       | 105             | 187                | 1              | 8.4             | 150                 | SMC (DO-214AB)      |
| 1.5KE130    | Unidirectional | 1,500           | 10        | 130                       | 117                       | 143                       | 105             | 187                | 1              | 8.4             | 175                 | DO-201              |
| 1.5SMC130   | Unidirectional | 1,500           | 10        | 130                       | 117                       | 143                       | 105             | 187                | 1              | 8.4             | 150                 | SMC (DO-214AB)      |
| SMCJ110C    | Bidirectional  | 1,500           | -         | -                         | 122                       | 149                       | 110             | 196                | 1              | 8               | 150                 | SMC (DO-214AB)      |
| SMCJ110CA   | Bidirectional  | 1,500           | -         | -                         | 122                       | 135                       | 110             | 177                | 1              | 8.9             | 150                 | SMC (DO-214AB)      |
| SMCJ110     | Unidirectional | 1,500           | -         | -                         | 122                       | 149                       | 110             | 196                | 1              | 8               | 150                 | SMC (DO-214AB)      |
| SMCJ110A    | Unidirectional | 1,500           | -         | -                         | 122                       | 135                       | 110             | 177                | 1              | 8.9             | 150                 | SMC (DO-214AB)      |
| 1.5SMC130CA | Bidirectional  | 1,500           | 5         | 130                       | 123.5                     | 136.5                     | 111             | 179                | 1              | 8.7             | 150                 | SMC (DO-214AB)      |
| 1.5SMC130A  | Unidirectional | 1,500           | 5         | 130                       | 123.5                     | 136.5                     | 111             | 179                | 1              | 8.7             | 150                 | SMC (DO-214AB)      |
| 1.5KE130CA  | Bidirectional  | 1,500           | 5         | 130                       | 124                       | 137                       | 111             | 179                | 1              | 8.7             | 175                 | DO-201              |
| 1.5KE130A   | Unidirectional | 1,500           | 5         | 130                       | 124                       | 137                       | 111             | 179                | 1              | 8.7             | 175                 | DO-201              |
| SMCJ120C    | Bidirectional  | 1,500           | -         | -                         | 133                       | 163                       | 120             | 214                | 1              | 7.3             | 150                 | SMC (DO-214AB)      |
| SMCJ120CA   | Bidirectional  | 1,500           | -         | -                         | 133                       | 147                       | 11              | 18.2               | 1              | 86              | 150                 | SMC (DO-214AB)      |
| SMCJ120     | Unidirectional | 1,500           | -         | -                         | 133                       | 163                       | 120             | 214                | 1              | 7.3             | 150                 | SMC (DO-214AB)      |
| SMCJ120A    | Unidirectional | 1,500           | -         | -                         | 133                       | 147                       | 120             | 193                | 1              | 8.1             | 150                 | SMC (DO-214AB)      |
| 1.5KE150C   | Bidirectional  | 1,500           | 10        | 150                       | 135                       | 165                       | 121             | 215                | 1              | 7.3             | 175                 | DO-201              |
| 1.5SMC150C  | Bidirectional  | 1,500           | 10        | 150                       | 135                       | 165                       | 121             | 215                | 1              | 7.3             | 150                 | SMC (DO-214AB)      |
| 1.5KE150    | Unidirectional | 1,500           | 10        | 150                       | 135                       | 165                       | 121             | 215                | 1              | 7.3             | 175                 | DO-201              |
| 1.5SMC150   | Unidirectional | 1,500           | 10        | 150                       | 135                       | 165                       | 121             | 215                | 1              | 7.3             | 150                 | SMC (DO-214AB)      |
| 1.5SMC150CA | Bidirectional  | 1,500           | 5         | 150                       | 142.5                     | 157.5                     | 128             | 207                | 1              | 7.6             | 150                 | SMC (DO-214AB)      |
| 1.5SMC150A  | Unidirectional | 1,500           | 5         | 150                       | 142.5                     | 157.5                     | 128             | 207                | 1              | 7.6             | 150                 | SMC (DO-214AB)      |
| 1.5KE150CA  | Bidirectional  | 1,500           | 5         | 150                       | 143                       | 158                       | 128             | 207                | 1              | 7.6             | 175                 | DO-201              |

## DIODES - TVS

## DIODES - TVS

| Part Number | Family         | P <sub>PK</sub> | Tolerance | V <sub>BR</sub><br>(Nom.) | V <sub>BR</sub><br>(Min.) | V <sub>BR</sub><br>(Max.) | V <sub>WM</sub> | V <sub>clamp</sub> | I <sub>R</sub> | I <sub>PP</sub> | T <sub>J</sub> max. | Package Description |
|-------------|----------------|-----------------|-----------|---------------------------|---------------------------|---------------------------|-----------------|--------------------|----------------|-----------------|---------------------|---------------------|
|             |                | (W)             | +/- (%)   | (V)                       | (V)                       | (V)                       | (V)             | (V)                | (μA)           | (A)             | (°C)                |                     |
| 1.5KE150A   | Unidirectional | 1,500           | 5         | 150                       | 143                       | 158                       | 128             | 207                | 1              | 7.6             | 175                 | DO-201              |
| 1.5KE160C   | Bidirectional  | 1,500           | 10        | 160                       | 144                       | 176                       | 130             | 230                | 1              | 6.8             | 175                 | DO-201              |
| 1.5SMC160C  | Bidirectional  | 1,500           | 10        | 160                       | 144                       | 176                       | 130             | 230                | 1              | 6.8             | 150                 | SMC (DO-214AB)      |
| SMCJ130C    | Bidirectional  | 1,500           | -         | -                         | 144                       | 176                       | 130             | 231                | 1              | 6.8             | 150                 | SMC (DO-214AB)      |
| SMCJ130CA   | Bidirectional  | 1,500           | -         | -                         | 144                       | 159                       | 130             | 209                | 1              | 7.5             | 150                 | SMC (DO-214AB)      |
| 1.5KE160    | Unidirectional | 1,500           | 10        | 160                       | 144                       | 176                       | 130             | 230                | 1              | 6.8             | 175                 | DO-201              |
| 1.5SMC160   | Unidirectional | 1,500           | 10        | 160                       | 144                       | 176                       | 130             | 230                | 1              | 6.8             | 150                 | SMC (DO-214AB)      |
| SMCJ130     | Unidirectional | 1,500           | -         | -                         | 144                       | 176                       | 130             | 231                | 1              | 6.8             | 150                 | SMC (DO-214AB)      |
| SMCJ130A    | Unidirectional | 1,500           | -         | -                         | 144                       | 159                       | 130             | 209                | 1              | 7.5             | 150                 | SMC (DO-214AB)      |
| 1.5KE160CA  | Bidirectional  | 1,500           | 5         | 160                       | 152                       | 168                       | 136             | 219                | 1              | 7.1             | 175                 | DO-201              |
| 1.5SMC160CA | Bidirectional  | 1,500           | 5         | 160                       | 152                       | 168                       | 136             | 219                | 1              | 7.1             | 150                 | SMC (DO-214AB)      |
| 1.5KE160A   | Unidirectional | 1,500           | 5         | 160                       | 152                       | 168                       | 136             | 219                | 1              | 7.1             | 175                 | DO-201              |
| 1.5SMC160A  | Unidirectional | 1,500           | 5         | 160                       | 152                       | 168                       | 136             | 219                | 1              | 7.1             | 150                 | SMC (DO-214AB)      |
| 1.5KE170C   | Bidirectional  | 1,500           | 10        | 170                       | 153                       | 187                       | 138             | 244                | 1              | 6.4             | 175                 | DO-201              |
| 1.5SMC170C  | Bidirectional  | 1,500           | 10        | 170                       | 153                       | 187                       | 138             | 244                | 1              | 6.4             | 150                 | SMC (DO-214AB)      |
| 1.5KE170    | Unidirectional | 1,500           | 10        | 170                       | 153                       | 187                       | 138             | 244                | 1              | 6.4             | 175                 | DO-201              |
| 1.5SMC170   | Unidirectional | 1,500           | 10        | 170                       | 153                       | 187                       | 138             | 244                | 1              | 6.4             | 150                 | SMC (DO-214AB)      |
| 1.5SMC170CA | Bidirectional  | 1,500           | 5         | 170                       | 161.5                     | 178.5                     | 145             | 234                | 1              | 6.7             | 150                 | SMC (DO-214AB)      |
| 1.5SMC170A  | Unidirectional | 1,500           | 5         | 170                       | 161.5                     | 178.5                     | 145             | 234                | 1              | 6.7             | 150                 | SMC (DO-214AB)      |
| 1.5KE170CA  | Bidirectional  | 1,500           | 5         | 170                       | 162                       | 179                       | 145             | 234                | 1              | 6.7             | 175                 | DO-201              |
| 1.5KE180C   | Bidirectional  | 1,500           | 10        | 180                       | 162                       | 198                       | 146             | 258                | 1              | 6.1             | 175                 | DO-201              |
| 1.5SMC180C  | Bidirectional  | 1,500           | 10        | 180                       | 162                       | 198                       | 146             | 258                | 1              | 6.1             | 150                 | SMC (DO-214AB)      |
| 1.5KE170A   | Unidirectional | 1,500           | 5         | 170                       | 162                       | 179                       | 145             | 234                | 1              | 6.7             | 175                 | DO-201              |
| 1.5KE180    | Unidirectional | 1,500           | 10        | 180                       | 162                       | 198                       | 146             | 258                | 1              | 6.1             | 175                 | DO-201              |
| 1.5SMC180   | Unidirectional | 1,500           | 10        | 180                       | 162                       | 198                       | 146             | 258                | 1              | 6.1             | 150                 | SMC (DO-214AB)      |
| SMCJ150C    | Bidirectional  | 1,500           | -         | -                         | 167                       | 204                       | 150             | 266                | 1              | 5.8             | 150                 | SMC (DO-214AB)      |
| SMCJ150CA   | Bidirectional  | 1,500           | -         | -                         | 167                       | 185                       | 150             | 243                | 1              | 6.4             | 150                 | SMC (DO-214AB)      |
| SMCJ150     | Unidirectional | 1,500           | -         | -                         | 167                       | 204                       | 150             | 266                | 1              | 5.8             | 150                 | SMC (DO-214AB)      |
| SMCJ150A    | Unidirectional | 1,500           | -         | -                         | 167                       | 185                       | 150             | 243                | 1              | 6.4             | 150                 | SMC (DO-214AB)      |
| 1.5KE180CA  | Bidirectional  | 1,500           | 5         | 180                       | 171                       | 189                       | 154             | 246                | 1              | 6.4             | 175                 | DO-201              |
| 1.5SMC180CA | Bidirectional  | 1,500           | 5         | 180                       | 171                       | 189                       | 154             | 246                | 1              | 6.4             | 150                 | SMC (DO-214AB)      |
| 1.5KE180A   | Unidirectional | 1,500           | 5         | 180                       | 171                       | 189                       | 154             | 246                | 1              | 6.4             | 175                 | DO-201              |
| 1.5SMC180A  | Unidirectional | 1,500           | 5         | 180                       | 171                       | 189                       | 154             | 246                | 1              | 6.4             | 150                 | SMC (DO-214AB)      |
| SMCJ160C    | Bidirectional  | 1,500           | -         | -                         | 178                       | 218                       | 160             | 287                | 1              | 5.4             | 150                 | SMC (DO-214AB)      |
| SMCJ160CA   | Bidirectional  | 1,500           | -         | -                         | 178                       | 197                       | 160             | 259                | 1              | 6               | 150                 | SMC (DO-214AB)      |
| SMCJ160     | Unidirectional | 1,500           | -         | -                         | 178                       | 218                       | 160             | 287                | 1              | 5.4             | 150                 | SMC (DO-214AB)      |
| SMCJ160A    | Unidirectional | 1,500           | -         | -                         | 178                       | 197                       | 160             | 259                | 1              | 6               | 150                 | SMC (DO-214AB)      |
| 1.5KE200C   | Bidirectional  | 1,500           | 10        | 200                       | 180                       | 220                       | 162             | 287                | 1              | 5.4             | 175                 | DO-201              |
| 1.5SMC200C  | Bidirectional  | 1,500           | 10        | 200                       | 180                       | 220                       | 162             | 287                | 1              | 5.4             | 150                 | SMC (DO-214AB)      |
| 1.5KE200    | Unidirectional | 1,500           | 10        | 200                       | 180                       | 220                       | 162             | 287                | 1              | 5.4             | 175                 | DO-201              |
| 1.5SMC200   | Unidirectional | 1,500           | 10        | 200                       | 180                       | 220                       | 162             | 287                | 1              | 5.4             | 150                 | SMC (DO-214AB)      |
| SMCJ170C    | Bidirectional  | 1,500           | -         | -                         | 189                       | 231                       | 170             | 304                | 1              | 5.1             | 150                 | SMC (DO-214AB)      |
| SMCJ170CA   | Bidirectional  | 1,500           | -         | -                         | 189                       | 209                       | 170             | 275                | 1              | 5.7             | 150                 | SMC (DO-214AB)      |
| SMCJ170     | Unidirectional | 1,500           | -         | -                         | 189                       | 231                       | 170             | 304                | 1              | 5.1             | 150                 | SMC (DO-214AB)      |
| SMCJ170A    | Unidirectional | 1,500           | -         | -                         | 189                       | 209                       | 170             | 275                | 1              | 5.7             | 150                 | SMC (DO-214AB)      |
| 1.5KE200CA  | Bidirectional  | 1,500           | 5         | 200                       | 190                       | 210                       | 171             | 274                | 1              | 5.7             | 175                 | DO-201              |

| Part Number  | Family         | P <sub>PK</sub> | Tolerance | V <sub>BR</sub><br>(Nom.) | V <sub>BR</sub><br>(Min.) | V <sub>BR</sub><br>(Max.) | V <sub>WM</sub> | V <sub>clamp</sub> | I <sub>R</sub> | I <sub>PP</sub> | T <sub>J</sub> max. | Package Description |
|--------------|----------------|-----------------|-----------|---------------------------|---------------------------|---------------------------|-----------------|--------------------|----------------|-----------------|---------------------|---------------------|
|              |                | (W)             | +/- (%)   | (V)                       | (V)                       | (V)                       | (V)             | (V)                | (μA)           | (A)             | (°C)                |                     |
| 1.5SMC200CA  | Bidirectional  | 1,500           | 5         | 200                       | 190                       | 210                       | 171             | 274                | 1              | 5.7             | 150                 | SMC (DO-214AB)      |
| 1.5KE200A    | Unidirectional | 1,500           | 5         | 200                       | 190                       | 210                       | 171             | 274                | 1              | 5.7             | 175                 | DO-201              |
| 1.5SMC200A   | Unidirectional | 1,500           | 5         | 200                       | 190                       | 210                       | 171             | 274                | 1              | 5.7             | 150                 | SMC (DO-214AB)      |
| 1.5KE220C    | Bidirectional  | 1,500           | 10        | 220                       | 198                       | 242                       | 175             | 344                | 1              | 4.5             | 175                 | DO-201              |
| 1.5KE220     | Unidirectional | 1,500           | 10        | 220                       | 198                       | 242                       | 175             | 344                | 1              | 4.5             | 175                 | DO-201              |
| SMCJ180CA    | Bidirectional  | 1,500           | -         | -                         | 201                       | 222                       | 180             | 292                | 1              | 5.1             | 150                 | SMC (DO-214AB)      |
| SMCJ180A     | Unidirectional | 1,500           | -         | -                         | 201                       | 222                       | 180             | 292                | 1              | 5.1             | 150                 | SMC (DO-214AB)      |
| 1.5SMC220A*  | Unidirectional | 1,500           | 5         | 220                       | 209                       | 231                       | 185             | 328                | 1              | 4.6             | 150                 | SMC (DO-214AB)      |
| 1.5KE220CA   | Bidirectional  | 1,500           | 5         | 220                       | 209                       | 231                       | 185             | 328                | 1              | 4.8             | 175                 | DO-201              |
| 1.5SMC220CA* | Bidirectional  | 1,500           | 5         | 220                       | 209                       | 231                       | 185             | 328                | 1              | 4.6             | 150                 | SMC (DO-214AB)      |
| 1.5KE220A    | Unidirectional | 1,500           | 5         | 220                       | 209                       | 231                       | 185             | 328                | 1              | 4.8             | 175                 | DO-201              |
| SMCJ200CA    | Bidirectional  | 1,500           | -         | -                         | 224                       | 247                       | 200             | 324                | 1              | 4.6             | 150                 | SMC (DO-214AB)      |
| SMCJ200A     | Unidirectional | 1,500           | -         | -                         | 224                       | 247                       | 200             | 324                | 1              | 4.6             | 150                 | SMC (DO-214AB)      |
| 1.5KE250C    | Bidirectional  | 1,500           | 10        | 250                       | 225                       | 275                       | 202             | 360                | 1              | 4.3             | 175                 | DO-201              |
| 1.5KE250     | Unidirectional | 1,500           | 10        | 250                       | 225                       | 275                       | 202             | 360                | 1              | 4.3             | 175                 | DO-201              |
| 1.5SMC250CA* | Bidirectional  | 1,500           | 5         | 250                       | 237                       | 263                       | 214             | 344                | 1              | 4.4             | 150                 | SMC (DO-214AB)      |
| 1.5KE250CA   | Bidirectional  | 1,500           | 5         | 250                       | 237                       | 263                       | 214             | 344                | 1              | 4.5             | 175                 | DO-201              |
| 1.5SMC250A*  | Unidirectional | 1,500           | 5         | 250                       | 237                       | 263                       | 214             | 344                | 1              | 4.4             | 150                 | SMC (DO-214AB)      |
| 1.5KE250A    | Unidirectional | 1,500           | 5         | 250                       | 237                       | 263                       | 214             | 344                | 1              | 4.5             | 175                 | DO-201              |
| SMCJ220CA    | Bidirectional  | 1,500           | -         | -                         | 246                       | 272                       | 220             | 356                | 1              | 4.2             | 150                 | SMC (DO-214AB)      |
| SMCJ220A     | Unidirectional | 1,500           | -         | -                         | 246                       | 272                       | 220             | 356                | 1              | 4.2             | 150                 | SMC (DO-214AB)      |
| 1.5KE300C    | Bidirectional  | 1,500           | 10        | 300                       | 270                       | 330                       | 243             | 430                | 1              | 3.6             | 175                 | DO-201              |
| 1.5KE300     | Unidirectional | 1,500           | 10        | 300                       | 270                       | 330                       | 243             | 430                | 1              | 3.6             | 175                 | DO-201              |
| SMCJ250CA    | Bidirectional  | 1,500           | -         | -                         | 279                       | 309                       | 250             | 405                | 1              | 3.7             | 150                 | SMC (DO-214AB)      |
| 1.5SMC300CA* | Bidirectional  | 1,500           | 5         | 300                       | 285                       | 315                       | 256             | 414                | 1              | 3.7             | 150                 | SMC (DO-214AB)      |
| SMCJ250A     | Unidirectional | 1,500           | -         | -                         | 279                       | 309                       | 250             | 405                | 1              | 3.7             | 150                 | SMC (DO-214AB)      |
| 1.5KE300CA   | Bidirectional  | 1,500           | 5         | 300                       | 285                       | 315                       | 256             | 414                | 1              | 3.8             | 175                 | DO-201              |
| 1.5SMC300A*  | Unidirectional | 1,500           | 5         | 300                       | 285                       | 315                       | 256             | 414                | 1              | 3.7             | 150                 | SMC (DO-214AB)      |
| 1.5KE300A    | Unidirectional | 1,500           | 5         | 300                       | 285                       | 315                       | 256             | 414                | 1              | 3.8             | 175                 | DO-201              |
| 1.5KE350C    | Bidirectional  | 1,500           | 10        | 350                       | 315                       | 385                       | 284             | 504                | 1              | 3.1             | 175                 | DO-201              |
| 1.5KE350     | Unidirectional | 1,500           | 10        | 350                       | 315                       | 385                       | 284             | 504                | 1              | 3.1             | 175                 | DO-201              |
| 1.5SMC350CA* | Bidirectional  | 1,500           | 5         | 350                       | 332                       | 368                       | 300             | 482                | 1              | 3.2             | 150                 | SMC (DO-214AB)      |
| 1.5SMC350A*  | Unidirectional | 1,500           | 5         | 350                       | 332                       | 368                       | 300             | 482                | 1              | 3.2             | 150                 | SMC (DO-214AB)      |
| 1.5KE350CA   | Bidirectional  | 1,500           | 5         | 350                       | 333                       | 368                       | 300             | 482                | 1              | 3.2             | 175                 | DO-201              |
| 1.5KE350A    | Unidirectional | 1,500           | 5         | 350                       | 333                       | 368                       | 300             | 482                | 1              | 3.2             | 175                 | DO-201              |
| SMCJ300CA    | Bidirectional  | 1,500           | -         | -                         | 335                       | 371                       | 300             | 486                | 1              | 3.1             | 150                 | SMC (DO-214AB)      |
| SMCJ300A     | Unidirectional | 1,500           | -         | -                         | 335                       | 371                       | 300             | 486                | 1              | 3.1             | 150                 | SMC (DO-214AB)      |
| 1.5KE400C    | Bidirectional  | 1,500           | 10        | 400                       | 360                       | 440                       | 324             | 574                | 1              | 2.7             | 175                 | DO-201              |
| 1.5KE400     | Unidirectional | 1,500           | 10        | 400                       | 360                       | 440                       | 324             | 574                | 1              | 2.7             | 175                 | DO-201              |
| 1.5SMC400CA* | Bidirectional  | 1,500           | 5         | 400                       | 380                       | 420                       | 342             | 548                | 1              | 2.8             | 150                 | SMC (DO-214AB)      |
| 1.5KE400CA   | Bidirectional  | 1,500           | 5         | 400                       | 380                       | 420                       | 342             | 548                | 1              | 2.8             | 175                 | DO-201              |
| 1.5SMC400A*  | Unidirectional | 1,500           | 5         | 400                       | 380                       | 420                       | 342             | 548                | 1              | 2.8             | 150                 | SMC (DO-214AB)      |
| 1.5KE400A    | Unidirectional | 1,500           | 5         | 400                       | 380                       | 420                       | 342             | 548                | 1              | 2.8             | 175                 | DO-201              |
| SMCJ350CA    | Bidirectional  | 1,500           | -         | -                         | 391                       | 432                       | 350             | 567                | 1              | 2.6             | 150                 | SMC (DO-214AB)      |
| SMCJ350A     | Unidirectional | 1,500           | -         | -                         | 391                       | 432                       | 350             | 567                | 1              | 2.6             | 150                 | SMC (DO-214AB)      |
| 1.5KE440C    | Bidirectional  | 1,500           | 10        | 440                       | 396                       | 484                       | 356             | 631                | 1              | 2.4             | 175                 | DO-201              |

Note. \* - Q4/2014



## DIODES - TVS

## DIODES - ZENER

| Part Number  | Family         | P <sub>PK</sub> | Tolerance | V <sub>BR</sub><br>(Nom.) | V <sub>BR</sub><br>(Min.) | V <sub>BR</sub><br>(Max.) | V <sub>WM</sub> | V <sub>clamp</sub> | I <sub>R</sub> | I <sub>PP</sub> | T <sub>J</sub> max. | Package Description |
|--------------|----------------|-----------------|-----------|---------------------------|---------------------------|---------------------------|-----------------|--------------------|----------------|-----------------|---------------------|---------------------|
|              |                | (W)             | +/- (%)   | (V)                       | (V)                       | (V)                       | (V)             | (V)                | (μA)           | (A)             | (°C)                |                     |
| 1.5KE440     | Unidirectional | 1,500           | 10        | 440                       | 396                       | 484                       | 356             | 631                | 1              | 2.4             | 175                 | DO-201              |
| 1.5KE440CA   | Bidirectional  | 1,500           | 5         | 440                       | 418                       | 462                       | 376             | 602                | 1              | 2.5             | 175                 | DO-201              |
| 1.5KE440A    | Unidirectional | 1,500           | 5         | 440                       | 418                       | 462                       | 376             | 602                | 1              | 2.5             | 175                 | DO-201              |
| SMCJ400CA    | Bidirectional  | 1,500           | -         | -                         | 447                       | 494                       | 400             | 648                | 1              | 2.3             | 150                 | SMC (DO-214AB)      |
| SMCJ400A     | Unidirectional | 1,500           | -         | -                         | 447                       | 494                       | 400             | 648                | 1              | 2.3             | 150                 | SMC (DO-214AB)      |
| 1.5SMC480CA* | Bidirectional  | 1,500           | 5         | 480                       | 456                       | 504                       | 408             | 658                | 1              | 2.3             | 150                 | SMC (DO-214AB)      |
| 1.5SMC480A*  | Unidirectional | 1,500           | 5         | 480                       | 456                       | 504                       | 408             | 658                | 1              | 2.3             | 150                 | SMC (DO-214AB)      |
| 1.5SMC510CA* | Bidirectional  | 1,500           | 5         | 510                       | 485                       | 535                       | 434             | 698                | 1              | 2.1             | 150                 | SMC (DO-214AB)      |
| 1.5SMC510A*  | Unidirectional | 1,500           | 5         | 510                       | 485                       | 535                       | 434             | 698                | 1              | 2.1             | 150                 | SMC (DO-214AB)      |
| SMCJ440CA    | Bidirectional  | 1,500           | -         | -                         | 492                       | 543                       | 440             | 713                | 1              | 2.1             | 150                 | SMC (DO-214AB)      |
| SMCJ440A     | Unidirectional | 1,500           | -         | -                         | 492                       | 543                       | 440             | 713                | 1              | 2.1             | 150                 | SMC (DO-214AB)      |
| 1.5SMC530CA* | Bidirectional  | 1,500           | 5         | 530                       | 503.5                     | 556.5                     | 450             | 725                | 1              | 2.1             | 150                 | SMC (DO-214AB)      |
| 1.5SMC530A*  | Unidirectional | 1,500           | 5         | 530                       | 503.5                     | 556.5                     | 450             | 725                | 1              | 2.1             | 150                 | SMC (DO-214AB)      |
| 1.5SMC540CA* | Bidirectional  | 1,500           | 5         | 540                       | 513                       | 567                       | 459             | 740                | 1              | 2.0             | 150                 | SMC (DO-214AB)      |
| 1.5SMC540A*  | Unidirectional | 1,500           | 5         | 540                       | 513                       | 567                       | 459             | 740                | 1              | 2.0             | 150                 | SMC (DO-214AB)      |
| 1.5SMC550CA* | Bidirectional  | 1,500           | 5         | 550                       | 522.5                     | 577.5                     | 467             | 760                | 1              | 2.0             | 150                 | SMC (DO-214AB)      |
| 1.5SMC550A*  | Unidirectional | 1,500           | 5         | 550                       | 522.5                     | 577.5                     | 467             | 760                | 1              | 2.0             | 150                 | SMC (DO-214AB)      |

Note. \* - Q4/2014

(T<sub>A</sub>=25°C unless otherwise noted)

| Part Number | P <sub>D</sub> | Tolerance | V <sub>Z</sub> (Min.) | V <sub>Z</sub> (Nom.) | V <sub>Z</sub> (Max.) | I <sub>ZT</sub> @ V <sub>Z</sub> | IR @ VR (Max.) | V <sub>R</sub> | T <sub>J</sub> max. | Package Description |
|-------------|----------------|-----------|-----------------------|-----------------------|-----------------------|----------------------------------|----------------|----------------|---------------------|---------------------|
|             | (mW)           | +/- (%)   | (V)                   | (V)                   | (V)                   | (mA)                             | (μA)           | (μA)           | (°C)                |                     |
| BZD17C11P   | 800            | -         | 10.4                  | 11                    | 11.6                  | 50                               | 4              | 8.2            | 175                 | Sub SMA             |
| BZD17C12P   | 800            | -         | 11.4                  | 12                    | 12.7                  | 50                               | 3              | 9.1            | 175                 | Sub SMA             |
| BZD17C13P   | 800            | -         | 12.4                  | 13                    | 14.1                  | 50                               | 2              | 10             | 175                 | Sub SMA             |
| BZD17C15P   | 800            | -         | 13.8                  | 15                    | 15.6                  | 25                               | 1              | 11             | 175                 | Sub SMA             |
| BZD17C16P   | 800            | -         | 15.3                  | 16                    | 17.1                  | 25                               | 1              | 12             | 175                 | Sub SMA             |
| BZD17C18P   | 800            | -         | 16.8                  | 18                    | 19.1                  | 25                               | 1              | 13             | 175                 | Sub SMA             |
| BZD17C24P   | 800            | -         | 22.8                  | 24                    | 25.6                  | 25                               | 1              | 18             | 175                 | Sub SMA             |
| BZD17C27P   | 800            | -         | 25.1                  | 27                    | 28.9                  | 25                               | 1              | 20             | 175                 | Sub SMA             |
| BZD17C33P   | 800            | -         | 31                    | 33                    | 35                    | 25                               | 1              | 24             | 175                 | Sub SMA             |
| BZD17C36P   | 800            | -         | 34                    | 36                    | 38                    | 10                               | 1              | 27             | 175                 | Sub SMA             |
| BZD17C39P   | 800            | -         | 37                    | 39                    | 41                    | 10                               | 1              | 30             | 175                 | Sub SMA             |
| BZD17C43P   | 800            | -         | 40                    | 43                    | 46                    | 10                               | 1              | 33             | 175                 | Sub SMA             |
| BZD17C47P   | 800            | -         | 44                    | 47                    | 50                    | 10                               | 1              | 36             | 175                 | Sub SMA             |
| BZD17C51P   | 800            | -         | 48                    | 51                    | 54                    | 10                               | 1              | 39             | 175                 | Sub SMA             |
| BZD17C62P   | 800            | -         | 58                    | 62                    | 66                    | 10                               | 1              | 47             | 175                 | Sub SMA             |
| BZD17C68P   | 800            | -         | 64                    | 68                    | 72                    | 10                               | 1              | 51             | 175                 | Sub SMA             |
| BZD17C75P   | 800            | -         | 70                    | 75                    | 79                    | 10                               | 1              | 56             | 175                 | Sub SMA             |
| BZD17C100P  | 800            | -         | 94                    | 100                   | 106                   | 4                                | 1              | 75             | 175                 | Sub SMA             |
| BZD17C120P  | 800            | -         | 114                   | 120                   | 127                   | 4                                | 1              | 91             | 175                 | Sub SMA             |
| BZD17C180P  | 800            | -         | 168                   | 180                   | 191                   | 4                                | 1              | 130            | 175                 | Sub SMA             |
| BZD17C200P  | 800            | -         | 188                   | 200                   | 212                   | 4                                | 1              | 150            | 175                 | Sub SMA             |
| BZD17C220P  | 800            | -         | 208                   | 220                   | 233                   | 4                                | 1              | 160            | 175                 | Sub SMA             |
| BZD27C6V8P  | 1,000          | -         | 6.4                   | 6.8                   | 7.2                   | 100                              | 10             | 3              | 175                 | Sub SMA             |
| 1SMA4737    | 1,000          | -         | -                     | 7.5                   | -                     | 34                               | 5              | 5              | 150                 | SMA (DO-214AC)      |
| BZD27C7V5P  | 1,000          | -         | 7                     | 7.5                   | 7.9                   | 100                              | 50             | 3              | 175                 | Sub SMA             |
| 1SMA4738    | 1,000          | -         | -                     | 8.2                   | -                     | 31                               | 5              | 6              | 150                 | SMA (DO-214AC)      |
| BZD27C8V2P  | 1,000          | -         | 7.7                   | 8.2                   | 8.7                   | 100                              | 10             | 3              | 175                 | Sub SMA             |
| 1SMA4739    | 1,000          | -         | -                     | 9.1                   | -                     | 28                               | 5              | 7              | 150                 | SMA (DO-214AC)      |
| BZD27C9V1P  | 1,000          | -         | 8.5                   | 9.1                   | 9.6                   | 50                               | 10             | 5              | 175                 | Sub SMA             |
| 1SMA4740    | 1,000          | -         | -                     | 10                    | -                     | 25                               | 5              | 7.6            | 150                 | SMA (DO-214AC)      |
| BZD27C10P   | 1,000          | -         | 9.4                   | 10                    | 10.6                  | 50                               | 7              | 7.5            | 175                 | Sub SMA             |
| 1N4740A     | 1,000          | 5         | 9.5                   | 10                    | 10.5                  | 25                               | 10             | 7.6            | 150                 | DO-41               |
| 1SMA4741    | 1,000          | -         | -                     | 11                    | -                     | 23                               | 1              | 8.4            | 150                 | SMA (DO-214AC)      |
| BZD27C11P   | 1,000          | -         | 10.4                  | 11                    | 11.6                  | 50                               | 4              | 8.2            | 175                 | Sub SMA             |
| 1N4741A     | 1,000          | 5         | 10.45                 | 11                    | 11.55                 | 23                               | 5              | 8.4            | 150                 | DO-41               |
| 1SMA4742    | 1,000          | -         | -                     | 12                    | -                     | 21                               | 1              | 9.1            | 150                 | SMA (DO-214AC)      |
| BZD27C12P   | 1,000          | -         | 11.4                  | 12                    | 12.7                  | 50                               | 3              | 9.1            | 175                 | Sub SMA             |
| 1N4742A     | 1,000          | 5         | 11.4                  | 12                    | 12.6                  | 21                               | 5              | 9.1            | 150                 | DO-41               |
| 1SMA4743    | 1,000          | -         | -                     | 13                    | -                     | 19                               | 1              | 9.9            | 150                 | SMA (DO-214AC)      |
| BZD27C13P   | 1,000          | -         | 12.4                  | 13                    | 14.1                  | 50                               | 2              | 10             | 175                 | Sub SMA             |
| 1N4743A     | 1,000          | 5         | 12.35                 | 13                    | 13.65                 | 19                               | 5              | 9.9            | 150                 | DO-41               |
| 1SMA4744    | 1,000          | -         | -                     | 15                    | -                     | 17                               | 1              | 11.4           | 150                 | SMA (DO-214AC)      |
| BZD27C15P   | 1,000          | -         | 13.8                  | 15                    | 15.6                  | 25                               | 1              | 11             | 175                 | Sub SMA             |
| 1N4744A     | 1,000          | 5         | 14.25                 | 15                    | 15.75                 | 17                               | 5              | 11.4           | 150                 | DO-41               |
| 1SMA4745    | 1,000          | -         | -                     | 16                    | -                     | 15.5                             | 1              | 12.2           | 150                 | SMA (DO-214AC)      |
| BZD27C16P   | 1,000          | -         | 15.3                  | 16                    | 17.1                  | 25                               | 1              | 12             | 175                 | Sub SMA             |

## DIODES - ZENER

| Part Number | P <sub>D</sub> | Tolerance | V <sub>Z</sub> (Min.) | V <sub>Z</sub> (Nom.) | V <sub>Z</sub> (Max.) | I <sub>ZT</sub> @ V <sub>Z</sub> | IR @ VR (Max.) | V <sub>R</sub> | T <sub>J</sub> max. | Package Description |
|-------------|----------------|-----------|-----------------------|-----------------------|-----------------------|----------------------------------|----------------|----------------|---------------------|---------------------|
|             | (mW)           | +/- (%)   | (V)                   | (V)                   | (V)                   | (mA)                             | (μA)           | (μA)           | (°C)                |                     |
| 1N4745A     | 1,000          | 5         | 15.2                  | 16                    | 16.8                  | 15.5                             | 5              | 12.2           | 150                 | DO-41               |
| 1SMA4746    | 1,000          | -         | -                     | 18                    | -                     | 14                               | 1              | 13.7           | 150                 | SMA (DO-214AC)      |
| BZD27C18P   | 1,000          | -         | 16.8                  | 18                    | 19.1                  | 25                               | 1              | 13             | 175                 | Sub SMA             |
| 1N4746A     | 1,000          | 5         | 17.1                  | 18                    | 18.9                  | 14                               | 5              | 13.7           | 150                 | DO-41               |
| 1SMA4747    | 1,000          | -         | -                     | 20                    | -                     | 12.5                             | 1              | 15.2           | 150                 | SMA (DO-214AC)      |
| BZD27C20P   | 1,000          | -         | 18.8                  | 20                    | 21.2                  | 25                               | 1              | 15             | 175                 | Sub SMA             |
| 1N4747A     | 1,000          | 5         | 19                    | 20                    | 21                    | 12.5                             | 5              | 15.2           | 150                 | DO-41               |
| 1SMA4748    | 1,000          | -         | -                     | 22                    | -                     | 11.5                             | 1              | 16.7           | 150                 | SMA (DO-214AC)      |
| BZD27C22P   | 1,000          | -         | 20.8                  | 22                    | 23.3                  | 25                               | 1              | 16             | 175                 | Sub SMA             |
| 1N4748A     | 1,000          | 5         | 20.9                  | 22                    | 23.1                  | 11.5                             | 5              | 16.7           | 150                 | DO-41               |
| 1SMA4749    | 1,000          | -         | -                     | 24                    | -                     | 10.5                             | 1              | 18.2           | 150                 | SMA (DO-214AC)      |
| BZD27C24P   | 1,000          | -         | 22.8                  | 24                    | 25.6                  | 25                               | 1              | 18             | 175                 | Sub SMA             |
| 1N4749A     | 1,000          | 5         | 22.8                  | 24                    | 25.2                  | 10.5                             | 5              | 18.2           | 150                 | DO-41               |
| 1SMA4750    | 1,000          | -         | -                     | 27                    | -                     | 9.5                              | 1              | 20.6           | 150                 | SMA (DO-214AC)      |
| BZD27C27P   | 1,000          | -         | 25.1                  | 27                    | 28.9                  | 25                               | 1              | 20             | 175                 | Sub SMA             |
| 1N4750A     | 1,000          | 5         | 25.65                 | 27                    | 28.35                 | 9.5                              | 5              | 20.6           | 150                 | DO-41               |
| 1SMA4751    | 1,000          | -         | -                     | 30                    | -                     | 8.5                              | 1              | 22.8           | 150                 | SMA (DO-214AC)      |
| BZD27C30P   | 1,000          | -         | 28                    | 30                    | 32                    | 25                               | 1              | 22             | 175                 | Sub SMA             |
| 1N4751A     | 1,000          | 5         | 28.5                  | 30                    | 31.5                  | 8.5                              | 5              | 22.8           | 150                 | DO-41               |
| 1SMA4752    | 1,000          | -         | -                     | 33                    | -                     | 7.5                              | 1              | 25.1           | 150                 | SMA (DO-214AC)      |
| BZD27C33P   | 1,000          | -         | 31                    | 33                    | 35                    | 25                               | 1              | 24             | 175                 | Sub SMA             |
| 1N4752A     | 1,000          | 5         | 31.35                 | 33                    | 34.65                 | 7.5                              | 5              | 25.1           | 150                 | DO-41               |
| 1SMA4753    | 1,000          | -         | -                     | 36                    | -                     | 7                                | 1              | 27.4           | 150                 | SMA (DO-214AC)      |
| BZD27C36P   | 1,000          | -         | 34                    | 36                    | 38                    | 10                               | 1              | 27             | 175                 | Sub SMA             |
| 1N4753A     | 1,000          | 5         | 34.2                  | 36                    | 37.8                  | 7                                | 5              | 27.4           | 150                 | DO-41               |
| 1SMA4754    | 1,000          | -         | -                     | 39                    | -                     | 6.5                              | 1              | 29.7           | 150                 | SMA (DO-214AC)      |
| BZD27C39P   | 1,000          | -         | 37                    | 39                    | 41                    | 10                               | 1              | 30             | 175                 | Sub SMA             |
| 1N4754A     | 1,000          | 5         | 37.05                 | 39                    | 40.95                 | 6.5                              | 5              | 29.7           | 150                 | DO-41               |
| 1SMA4755    | 1,000          | -         | -                     | 43                    | -                     | 6                                | 1              | 32.7           | 150                 | SMA (DO-214AC)      |
| BZD27C43P   | 1,000          | -         | 40                    | 43                    | 46                    | 10                               | 1              | 33             | 175                 | Sub SMA             |
| 1N4755A     | 1,000          | 5         | 40.85                 | 43                    | 45.15                 | 6                                | 5              | 32.7           | 150                 | DO-41               |
| 1SMA4756    | 1,000          | -         | -                     | 47                    | -                     | 5.5                              | 1              | 35.8           | 150                 | SMA (DO-214AC)      |
| BZD27C47P   | 1,000          | -         | 44                    | 47                    | 50                    | 10                               | 1              | 36             | 175                 | Sub SMA             |
| 1N4756A     | 1,000          | 5         | 44.65                 | 47                    | 49.35                 | 5.5                              | 5              | 35.8           | 150                 | DO-41               |
| 1SMA4757    | 1,000          | -         | -                     | 51                    | -                     | 5                                | 1              | 38.8           | 150                 | SMA (DO-214AC)      |
| BZD27C51P   | 1,000          | -         | 48                    | 51                    | 54                    | 10                               | 1              | 39             | 175                 | Sub SMA             |
| 1N4757A     | 1,000          | 5         | 48.45                 | 51                    | 53.55                 | 5                                | 5              | 38.8           | 150                 | DO-41               |
| 1SMA4758    | 1,000          | -         | -                     | 56                    | -                     | 4.5                              | 1              | 42.6           | 150                 | SMA (DO-214AC)      |
| BZD27C56P   | 1,000          | -         | 52                    | 56                    | 56                    | 10                               | 1              | 43             | 175                 | Sub SMA             |
| 1N4758A     | 1,000          | 5         | 53.2                  | 56                    | 58.8                  | 4.5                              | 5              | 42.6           | 150                 | DO-41               |
| 1SMA4759    | 1,000          | -         | -                     | 62                    | -                     | 4                                | 1              | 47.1           | 150                 | SMA (DO-214AC)      |
| BZD27C62P   | 1,000          | -         | 58                    | 62                    | 66                    | 10                               | 1              | 47             | 175                 | Sub SMA             |
| 1N4759A     | 1,000          | 5         | 58.9                  | 62                    | 65.1                  | 4                                | 5              | 47.1           | 150                 | DO-41               |
| 1SMA4760    | 1,000          | -         | -                     | 68                    | -                     | 3.7                              | 1              | 51.7           | 150                 | SMA (DO-214AC)      |
| BZD27C68P   | 1,000          | -         | 64                    | 68                    | 72                    | 10                               | 1              | 51             | 175                 | Sub SMA             |
| 1N4760A     | 1,000          | 5         | 64.6                  | 68                    | 71.4                  | 3.7                              | 5              | 51.7           | 150                 | DO-41               |

## DIODES - ZENER

| Part Number | P <sub>D</sub> | Tolerance | V <sub>Z</sub> (Min.) | V <sub>Z</sub> (Nom.) | V <sub>Z</sub> (Max.) | I <sub>ZT</sub> @ V <sub>Z</sub> | IR @ VR (Max.) | V <sub>R</sub> | T <sub>J</sub> max. | Package Description |
|-------------|----------------|-----------|-----------------------|-----------------------|-----------------------|----------------------------------|----------------|----------------|---------------------|---------------------|
|             | (mW)           | +/- (%)   | (V)                   | (V)                   | (V)                   | (mA)                             | (μA)           | (μA)           | (°C)                |                     |
| 1SMA4761    | 1,000          | -         | -                     | 75                    | -                     | 3.3                              | 1              | 56             | 150                 | SMA (DO-214AC)      |
| BZD27C75P   | 1,000          | -         | 70                    | 75                    | 79                    | 10                               | 1              | 56             | 175                 | Sub SMA             |
| 1N4761A     | 1,000          | 5         | 71.25                 | 75                    | 78.75                 | 3.3                              | 5              | 56             | 150                 | DO-41               |
| 1SMA4762    | 1,000          | -         | -                     | 82                    | -                     | 3                                | 1              | 62.2           | 150                 | SMA (DO-214AC)      |
| BZD27C82P   | 1,000          | -         | 77                    | 82                    | 82                    | 10                               | 1              | 62             | 175                 | Sub SMA             |
| 1N4762A     | 1,000          | 5         | 77.9                  | 82                    | 86.1                  | 3                                | 5              | 62.2           | 150                 | DO-41               |
| 1SMA4763    | 1,000          | -         | -                     | 91                    | -                     | 2.8                              | 1              | 69.2           | 150                 | SMA (DO-214AC)      |
| BZD27C91P   | 1,000          | -         | 85                    | 91                    | 91                    | 5                                | 1              | 68             | 175                 | Sub SMA             |
| 1N4763A     | 1,000          | 5         | 86.45                 | 91                    | 95.55                 | 2.8                              | 5              | 69.2           | 150                 | DO-41               |
| 1SMA4764    | 1,000          | -         | -                     | 100                   | -                     | 2.5                              | 1              | 76             | 150                 | SMA (DO-214AC)      |
| BZD27C100P  | 1,000          | -         | 94                    | 100                   | 106                   | 5                                | 1              | 75             | 175                 | Sub SMA             |
| 1N4764A     | 1,000          | 5         | 95                    | 100                   | 105                   | 2.5                              | 5              | 76             | 150                 | DO-41               |
| 1SMA110Z    | 1,000          | -         | -                     | 110                   | -                     | 2.3                              | 1              | 83.6           | 150                 | SMA (DO-214AC)      |
| BZD27C110P  | 1,000          | -         | 104                   | 110                   | 116                   | 5                                | 1              | 82             | 175                 | Sub SMA             |
| 1M110Z      | 1,000          | 5         | 104.5                 | 110                   | 115.5                 | 2.3                              | 5              | 83.6           | 150                 | DO-41               |
| 1SMA120Z    | 1,000          | -         | -                     | 120                   | -                     | 2                                | 1              | 91.2           | 150                 | SMA (DO-214AC)      |
| BZD27C120P  | 1,000          | -         | 114                   | 120                   | 127                   | 5                                | 1              | 91             | 175                 | Sub SMA             |
| 1M120Z      | 1,000          | 5         | 114                   | 120                   | 126                   | 2                                | 5              | 91.2           | 150                 | DO-41               |
| 1SMA130Z    | 1,000          | -         | -                     | 130                   | -                     | 1.9                              | 1              | 98.8           | 150                 | SMA (DO-214AC)      |
| BZD27C130P  | 1,000          | -         | 124                   | 130                   | 141                   | 5                                | 1              | 100            | 175                 | Sub SMA             |
| 1M130Z      | 1,000          | 5         | 123.5                 | 130                   | 136.5                 | 1.9                              | 5              | 98.8           | 150                 | DO-41               |
| 1SMA150Z    | 1,000          | -         | -                     | 150                   | -                     | 1.7                              | 1              | 114            | 150                 | SMA (DO-214AC)      |
| BZD27C150P  | 1,000          | -         | 138                   | 150                   | 156                   | 5                                | 1              | 110            | 175                 | Sub SMA             |
| 1M150Z      | 1,000          | 5         | 142.5                 | 150                   | 157.5                 | 1.7                              | 5              | 114            | 150                 | DO-41               |
| 1SMA160Z    | 1,000          | -         | -                     | 160                   | -                     | 1.6                              | 1              | 121.6          | 150                 | SMA (DO-214AC)      |
| BZD27C160P  | 1,000          | -         | 153                   | 160                   | 171                   | 5                                | 1              | 120            | 175                 | Sub SMA             |
| 1M160Z      | 1,000          | 5         | 152                   | 160                   | 168                   | 1.6                              | 5              | 121.6          | 150                 | DO-41               |
| 1SMA180Z    | 1,000          | -         | -                     | 180                   | -                     | 1.4                              | 1              | 136.8          | 150                 | SMA (DO-214AC)      |
| BZD27C180P  | 1,000          | -         | 168                   | 180                   | 191                   | 5                                | 1              | 130            | 175                 | Sub SMA             |
| 1M180Z      | 1,000          | 5         | 171                   | 180                   | 189                   | 1.4                              | 5              | 136.8          | 150                 | DO-41               |
| 1SMA200Z    | 1,000          | -         | -                     | 200                   | -                     | 1.2                              | 1              | 152            | 150                 | SMA (DO-214AC)      |
| BZD27C200P  | 1,000          | -         | 188                   | 200                   | 212                   | 5                                | 1              | 150            | 175                 | Sub SMA             |
| 1M200Z      | 1,000          | 5         | 190                   | 200                   | 210                   | 1.2                              | 5              | 152            | 150                 | DO-41               |
| BZD27C220P  | 1,000          | -         | 208                   | 220                   | 233                   | 5                                | 1              | 160            | 175                 | Sub SMA             |
| 1SMA5926    | 1,500          | 5         | 10.45                 | 11                    | 11.55                 | 34.1                             | 0.5            | 8.4            | 150                 | SMA (DO-214AC)      |
| 1SMA5927    | 1,500          | 5         | 11.4                  | 12                    | 12.6                  | 31.2                             | 0.5            | 9.1            | 150                 | SMA (DO-214AC)      |
| 1SMA5928    | 1,500          | 5         | 12.35                 | 13                    | 13.65                 | 28.8                             | 0.5            | 9.9            | 150                 | SMA (DO-214AC)      |
| 1SMA5929    | 1,500          | 5         | 14.25                 | 15                    | 15.75                 | 25                               | 0.5            | 11.4           | 150                 | SMA (DO-214AC)      |
| 1SMA5930    | 1,500          | 5         | 15.2                  | 16                    | 16.8                  | 23.4                             | 0.5            | 12.2           | 150                 | SMA (DO-214AC)      |
| 1SMA5931    | 1,500          | 5         | 17.1                  | 18                    | 18.9                  | 20.8                             | 0.5            | 13.7           | 150                 | SMA (DO-214AC)      |
| 1SMA5932    | 1,500          | 5         | 19                    | 20                    | 21                    | 18.7                             | 0.5            | 15.2           | 150                 | SMA (DO-214AC)      |
| 1SMA5933    | 1,500          | 5         | 20.9                  | 22                    | 23.1                  | 17                               | 0.5            | 16.7           | 150                 | SMA (DO-214AC)      |
| 1SMA5934    | 1,500          | 5         | 22.8                  | 24                    | 25.2                  | 15.6                             | 0.5            | 18.2           | 150                 | SMA (DO-214AC)      |
| 1SMA5935    | 1,500          | 5         | 25.65                 | 27                    | 28.35                 | 13.9                             | 0.5            | 20.6           | 150                 | SMA (DO-214AC)      |
| 1SMA5936    | 1,500          | 5         | 28.5                  | 30                    | 31.5                  | 12.5                             | 0.5            | 22.8           | 150                 | SMA (DO-214AC)      |
| 1SMA5937    | 1,500          | 5         | 31.35                 | 33                    | 34.65                 | 11.4                             | 0.5            | 25.1           | 150                 | SMA (DO-214AC)      |
| 1SMA5938    | 1,500          | 5         | 34.2                  | 36                    | 37.8                  | 10.4                             | 0.5            | 27.4           | 150                 | SMA (DO-214AC)      |

## DIODES - ZENER

| Part Number | P <sub>D</sub> | Tolerance | V <sub>Z</sub> (Min.) | V <sub>Z</sub> (Nom.) | V <sub>Z</sub> (Max.) | I <sub>ZT</sub> @ V <sub>Z</sub> | IR @ VR (Max.) | V <sub>R</sub> | T <sub>J</sub> max. | Package Description |
|-------------|----------------|-----------|-----------------------|-----------------------|-----------------------|----------------------------------|----------------|----------------|---------------------|---------------------|
|             | (mW)           | +/- (%)   | (V)                   | (V)                   | (V)                   | (mA)                             | (μA)           | (μA)           | (°C)                |                     |
| 1SMA5939    | 1,500          | 5         | 37.05                 | 39                    | 40.95                 | 9.6                              | 0.5            | 29.7           | 150                 | SMA (DO-214AC)      |
| 1SMA5940    | 1,500          | 5         | 40.85                 | 43                    | 45.15                 | 8.7                              | 0.5            | 32.7           | 150                 | SMA (DO-214AC)      |
| 1SMA5941    | 1,500          | 5         | 44.65                 | 47                    | 49.35                 | 8                                | 0.5            | 35.8           | 150                 | SMA (DO-214AC)      |
| 1SMA5942    | 1,500          | 5         | 48.45                 | 51                    | 53.55                 | 7.3                              | 0.5            | 38.8           | 150                 | SMA (DO-214AC)      |
| 1SMA5943    | 1,500          | 5         | 53.2                  | 56                    | 58.8                  | 6.7                              | 0.5            | 42.6           | 150                 | SMA (DO-214AC)      |
| 1SMA5944    | 1,500          | 5         | 58.9                  | 62                    | 65.1                  | 6                                | 0.5            | 47.1           | 150                 | SMA (DO-214AC)      |
| 1SMA5945    | 1,500          | 5         | 64.6                  | 68                    | 71.4                  | 5.5                              | 0.5            | 51.7           | 150                 | SMA (DO-214AC)      |
| 1SMA5946    | 1,500          | 5         | 71.25                 | 75                    | 78.75                 | 5                                | 0.5            | 56             | 150                 | SMA (DO-214AC)      |
| 1SMA5947    | 1,500          | 5         | 77.9                  | 82                    | 86.1                  | 4.6                              | 0.5            | 62.2           | 150                 | SMA (DO-214AC)      |
| 1SMA5948    | 1,500          | 5         | 86.45                 | 91                    | 95.55                 | 4.1                              | 0.5            | 69.2           | 150                 | SMA (DO-214AC)      |
| 1SMA5949    | 1,500          | 5         | 95                    | 100                   | 105                   | 3.7                              | 0.5            | 76             | 150                 | SMA (DO-214AC)      |
| 1SMA5950    | 1,500          | 5         | 104.5                 | 110                   | 115.5                 | 3.4                              | 0.5            | 83.6           | 150                 | SMA (DO-214AC)      |
| 1SMA5951    | 1,500          | 5         | 114                   | 120                   | 126                   | 3.1                              | 0.5            | 91.2           | 150                 | SMA (DO-214AC)      |
| 1SMA5952    | 1,500          | 5         | 123.5                 | 130                   | 136.5                 | 2.9                              | 0.5            | 98.8           | 150                 | SMA (DO-214AC)      |
| 1SMA5953    | 1,500          | 5         | 142.5                 | 150                   | 157.5                 | 2.5                              | 0.5            | 114            | 150                 | SMA (DO-214AC)      |
| 1SMA5954    | 1,500          | 5         | 152                   | 160                   | 168                   | 2.3                              | 0.5            | 121.6          | 150                 | SMA (DO-214AC)      |
| 1SMA5955    | 1,500          | 5         | 171                   | 180                   | 189                   | 2.1                              | 0.5            | 136.8          | 150                 | SMA (DO-214AC)      |
| 1SMA5956    | 1,500          | 5         | 190                   | 200                   | 210                   | 1.9                              | 0.5            | 152            | 150                 | SMA (DO-214AC)      |
| 2M6.8Z      | 2,000          | -         | -                     | 6.8                   | -                     | 100                              | 1              | 5.5            | 150                 | DO-15               |
| 2M11Z       | 2,000          | -         | -                     | 11                    | -                     | 45.5                             | 1              | 8.4            | 150                 | DO-15               |
| 2M12Z       | 2,000          | -         | -                     | 12                    | -                     | 41.5                             | 1              | 9.1            | 150                 | DO-15               |
| 2M13Z       | 2,000          | -         | -                     | 13                    | -                     | 38.5                             | 0.5            | 9.9            | 150                 | DO-15               |
| 2M14Z       | 2,000          | -         | -                     | 14                    | -                     | 35.7                             | 0.5            | 10.6           | 150                 | DO-15               |
| 2M15Z       | 2,000          | -         | -                     | 15                    | -                     | 33.4                             | 0.5            | 11.4           | 150                 | DO-15               |
| 2M16Z       | 2,000          | -         | -                     | 16                    | -                     | 31.2                             | 0.5            | 12.2           | 150                 | DO-15               |
| 2M17Z       | 2,000          | -         | -                     | 17                    | -                     | 29.4                             | 0.5            | 13             | 150                 | DO-15               |
| 2M18Z       | 2,000          | -         | -                     | 18                    | -                     | 27.8                             | 0.5            | 13.7           | 150                 | DO-15               |
| 2M19Z       | 2,000          | -         | -                     | 19                    | -                     | 26.3                             | 0.5            | 14.4           | 150                 | DO-15               |
| 2M20Z       | 2,000          | -         | -                     | 20                    | -                     | 25                               | 0.5            | 15.2           | 150                 | DO-15               |
| 2M22Z       | 2,000          | -         | -                     | 22                    | -                     | 22.8                             | 0.5            | 16.7           | 150                 | DO-15               |
| 2M24Z       | 2,000          | -         | -                     | 24                    | -                     | 20.8                             | 0.5            | 18.2           | 150                 | DO-15               |
| 2M27Z       | 2,000          | -         | -                     | 27                    | -                     | 18.5                             | 0.5            | 20.6           | 150                 | DO-15               |
| 2M30Z       | 2,000          | -         | -                     | 30                    | -                     | 16.6                             | 0.5            | 22.8           | 150                 | DO-15               |
| 2M33Z       | 2,000          | -         | -                     | 33                    | -                     | 15.1                             | 0.5            | 25.1           | 150                 | DO-15               |
| 2M36Z       | 2,000          | -         | -                     | 36                    | -                     | 13.9                             | 0.5            | 27.4           | 150                 | DO-15               |
| 2M39Z       | 2,000          | -         | -                     | 39                    | -                     | 12.8                             | 0.5            | 29.7           | 150                 | DO-15               |
| 2M43Z       | 2,000          | -         | -                     | 43                    | -                     | 11.6                             | 0.5            | 32.7           | 150                 | DO-15               |
| 2M47Z       | 2,000          | -         | -                     | 47                    | -                     | 10.6                             | 0.5            | 35.8           | 150                 | DO-15               |
| 2M51Z       | 2,000          | -         | -                     | 51                    | -                     | 9.8                              | 0.5            | 38.8           | 150                 | DO-15               |
| 2M56Z       | 2,000          | -         | -                     | 56                    | -                     | 9                                | 0.5            | 42.6           | 150                 | DO-15               |
| 2M62Z       | 2,000          | -         | -                     | 62                    | -                     | 8.1                              | 0.5            | 47.1           | 150                 | DO-15               |
| 2M68Z       | 2,000          | -         | -                     | 68                    | -                     | 7.4                              | 0.5            | 51.7           | 150                 | DO-15               |
| 2M75Z       | 2,000          | -         | -                     | 75                    | -                     | 6.7                              | 0.5            | 56             | 150                 | DO-15               |
| 2M82Z       | 2,000          | -         | -                     | 82                    | -                     | 6.1                              | 0.5            | 62.2           | 150                 | DO-15               |
| 2M91Z       | 2,000          | -         | -                     | 91                    | -                     | 5.5                              | 0.5            | 69.2           | 150                 | DO-15               |
| 2M100Z      | 2,000          | -         | -                     | 100                   | -                     | 5                                | 0.5            | 76             | 150                 | DO-15               |
| 2M110Z      | 2,000          | -         | -                     | 110                   | -                     | 4.5                              | 0.5            | 83.6           | 150                 | DO-15               |

## DIODES - ZENER

| Part Number | P <sub>D</sub> | Tolerance | V <sub>Z</sub> (Min.) | V <sub>Z</sub> (Nom.) | V <sub>Z</sub> (Max.) | I <sub>ZT</sub> @ V <sub>Z</sub> | IR @ VR (Max.) | V <sub>R</sub> | T <sub>J</sub> max. | Package Description |
|-------------|----------------|-----------|-----------------------|-----------------------|-----------------------|----------------------------------|----------------|----------------|---------------------|---------------------|
|             | (mW)           | +/- (%)   | (V)                   | (V)                   | (V)                   | (mA)                             | (μA)           | (μA)           | (°C)                |                     |
| 2M120Z      | 2,000          | -         | -                     | 120                   | -                     | 4.2                              | 0.5            | 91.2           | 150                 | DO-15               |
| 2M130Z      | 2,000          | -         | -                     | 130                   | -                     | 3.8                              | 0.5            | 98.8           | 150                 | DO-15               |
| 2M140Z      | 2,000          | -         | -                     | 140                   | -                     | 3.6                              | 0.5            | 106.4          | 150                 | DO-15               |
| 2M150Z      | 2,000          | -         | -                     | 150                   | -                     | 3.3                              | 0.5            | 114            | 150                 | DO-15               |
| 2M160Z      | 2,000          | -         | -                     | 160                   | -                     | 3.1                              | 0.5            | 121.6          | 150                 | DO-15               |
| 2M170Z      | 2,000          | -         | -                     | 170                   | -                     | 2.9                              | 0.5            | 130.4          | 150                 | DO-15               |
| 2M180Z      | 2,000          | -         | -                     | 180                   | -                     | 2.8                              | 0.5            | 136.8          | 150                 | DO-15               |
| 2M190Z      | 2,000          | -         | -                     | 190                   | -                     | 2.6                              | 0.5            | 144.8          | 150                 | DO-15               |
| 2M200Z      | 2,000          | -         | -                     | 200                   | -                     | 2.5                              | 0.5            | 152            | 150                 | DO-15               |
| 1SMB5926    | 3,000          | 5         | 10.45                 | 11                    | 11.55                 | 34.1                             | 1              | 8.4            | 150                 | SMB (DO-214AA)      |
| 1SMB5927    | 3,000          | 5         | 11.4                  | 12                    | 12.6                  | 31.2                             | 1              | 9.1            | 150                 | SMB (DO-214AA)      |
| 1SMB5928    | 3,000          | 5         | 12.35                 | 13                    | 13.65                 | 28.8                             | 1              | 9.9            | 150                 | SMB (DO-214AA)      |
| 1SMB5929    | 3,000          | 5         | 14.25                 | 15                    | 15.75                 | 25                               | 1              | 11.4           | 150                 | SMB (DO-214AA)      |
| 1SMB5930    | 3,000          | 5         | 15.2                  | 16                    | 16.8                  | 23.4                             | 1              | 12.2           | 150                 | SMB (DO-214AA)      |
| 1SMB5931    | 3,000          | 5         | 17.1                  | 18                    | 18.9                  | 20.8                             | 1              | 13.7           | 150                 | SMB (DO-214AA)      |
| 1SMB5932    | 3,000          | 5         | 19                    | 20                    | 21                    | 18.7                             | 1              | 15.2           | 150                 | SMB (DO-214AA)      |
| 1SMB5933    | 3,000          | 5         | 20.9                  | 22                    | 23.1                  | 17                               | 1              | 16.7           | 150                 | SMB (DO-214AA)      |
| 1SMB5934    | 3,000          | 5         | 22.8                  | 24                    | 25.2                  | 15.6                             | 1              | 18.2           | 150                 | SMB (DO-214AA)      |
| 1SMB5935    | 3,000          | 5         | 25.65                 | 27                    | 28.35                 | 13.9                             | 1              | 20.6           | 150                 | SMB (DO-214AA)      |
| 1SMB5936    | 3,000          | 5         | 28.5                  | 30                    | 31.5                  | 12.5                             | 1              | 22.8           | 150                 | SMB (DO-214AA)      |
| 1SMB5937    | 3,000          | 5         | 31.35                 | 33                    | 34.65                 | 11.4                             | 1              | 25.1           | 150                 | SMB (DO-214AA)      |
| 1SMB5938    | 3,000          | 5         | 34.2                  | 36                    | 37.8                  | 10.4                             | 1              | 27.4           | 150                 | SMB (DO-214AA)      |
| 1SMB5939    | 3,000          | 5         | 37.05                 | 39                    | 40.95                 | 9.6                              | 1              | 29.7           | 150                 | SMB (DO-214AA)      |
| 1SMB5940    | 3,000          | 5         | 40.85                 | 43                    | 45.15                 | 8.7                              | 1              | 32.7           | 150                 | SMB (DO-214AA)      |
| 1SMB5941    | 3,000          | 5         | 44.65                 | 47                    | 49.35                 | 8                                | 1              | 35.8           | 150                 | SMB (DO-214AA)      |
| 1SMB5942    | 3,000          | 5         | 48.45                 | 51                    | 53.55                 | 7.3                              | 1              | 38.8           | 150                 | SMB (DO-214AA)      |
| 1SMB5943    | 3,000          | 5         | 53.2                  | 56                    | 58.8                  | 6.7                              | 1              | 42.6           | 150                 | SMB (DO-214AA)      |
| 1SMB5944    | 3,000          | 5         | 58.9                  | 62                    | 65.1                  | 6                                | 1              | 47.1           | 150                 | SMB (DO-214AA)      |
| 1SMB5945    | 3,000          | 5         | 64.6                  | 68                    | 71.4                  | 5.5                              | 1              | 51.7           | 150                 | SMB (DO-214AA)      |
| 1SMB5946    | 3,000          | 5         | 71.25                 | 75                    | 78.75                 | 5                                | 1              | 56             | 150                 | SMB (DO-214AA)      |
| 1SMB5947    | 3,000          | 5         | 77.9                  | 82                    | 86.1                  | 4.6                              | 1              | 62.2           | 150                 | SMB (DO-214AA)      |
| 1SMB5948    | 3,000          | 5         | 86.45                 | 91                    | 95.55                 | 4.1                              | 1              | 69.2           | 150                 | SMB (DO-214AA)      |
| 1SMB5949    | 3,000          | 5         | 95                    | 100                   | 105                   | 3.7                              | 1              | 76             | 150                 | SMB (DO-214AA)      |
| 1SMB5950    | 3,000          | 5         | 104.5                 | 110                   | 115.5                 | 3.4                              | 1              | 83.6           | 150                 | SMB (DO-214AA)      |
| 1SMB5951    | 3,000          | 5         | 114                   | 120                   | 126                   | 3.1                              | 1              | 91.2           | 150                 | SMB (DO-214AA)      |
| 1SMB5952    | 3,000          | 5         | 123.5                 | 130                   | 136.5                 | 2.9                              | 1              | 98.8           | 150                 | SMB (DO-214AA)      |
| 1SMB5953    | 3,000          | 5         | 142.5                 | 150                   | 157.5                 | 2.5                              | 1              | 114            | 150                 | SMB (DO-214AA)      |
| 1SMB5954    | 3,000          | 5         | 152                   | 160                   | 168                   | 2.3                              | 1              | 121.6          | 150                 | SMB (DO-214AA)      |
| 1SMB5955    | 3,000          | 5         | 171                   | 180                   | 189                   | 2.1                              | 1              | 136.8          | 150                 | SMB (DO-214AA)      |
| 1SMB5956    | 3,000          | 5         | 190                   | 200                   | 210                   | 1.9                              | 1              | 152            | 150                 | SMB (DO-214AA)      |
| 1SMC5352    | 5,000          | -         | -                     | 15                    | -                     | 75                               | 1              | 11.5           | 150                 | SMC (DO-214AB)      |

## DIODES - ZENER

| Part Number | P <sub>D</sub> | Tolerance | V <sub>Z</sub> @ I <sub>ZT</sub> | I <sub>ZT</sub> | Z <sub>ZT</sub> @ I <sub>ZT</sub> | Z <sub>ZK</sub> @ I <sub>ZK</sub> |      | I <sub>R</sub> @ V <sub>R</sub> |      | Package Description |
|-------------|----------------|-----------|----------------------------------|-----------------|-----------------------------------|-----------------------------------|------|---------------------------------|------|---------------------|
|             | (mW)           | +/- (%)   | (V)                              | (mA)            | (Ω)                               | (Ω)                               | (mA) | (μA)                            | (V)  |                     |
| TSZU52C2V0  | 150            | 5         | 2.0                              | 5               | 100                               | 600                               | 1.00 | 100                             | 1    | 0603                |
| TSZU52C2V2  | 150            | 5         | 2.2                              | 5               | 100                               | 600                               | 1.00 | 100                             | 1    | 0603                |
| TSZU52C2V4  | 150            | 5         | 2.4                              | 5               | 85                                | 600                               | 1.00 | 100                             | 1    | 0603                |
| TSZU52C2V7  | 150            | 5         | 2.7                              | 5               | 83                                | 500                               | 1.00 | 75                              | 1    | 0603                |
| TSZU52C3V0  | 150            | 5         | 3.0                              | 5               | 95                                | 500                               | 1.00 | 50                              | 1    | 0603                |
| TSZU52C3V3  | 150            | 5         | 3.3                              | 5               | 95                                | 500                               | 1.00 | 25                              | 1    | 0603                |
| TSZU52C3V6  | 150            | 5         | 3.6                              | 5               | 95                                | 500                               | 1.00 | 15                              | 1    | 0603                |
| TSZU52C3V9  | 150            | 5         | 3.9                              | 5               | 95                                | 500                               | 1.00 | 10                              | 1    | 0603                |
| TSZU52C4V3  | 150            | 5         | 4.3                              | 5               | 95                                | 500                               | 1.00 | 5                               | 1    | 0603                |
| TSZU52C4V7  | 150            | 5         | 4.7                              | 5               | 78                                | 500                               | 1.00 | 5                               | 2    | 0603                |
| TSZU52C5V1  | 150            | 5         | 5.1                              | 5               | 60                                | 480                               | 1.00 | 0.1                             | 0.8  | 0603                |
| TSZU52C5V6  | 150            | 5         | 5.6                              | 5               | 40                                | 400                               | 1.00 | 0.1                             | 1    | 0603                |
| TSZU52C6V2  | 150            | 5         | 6.2                              | 5               | 10                                | 200                               | 1.00 | 0.1                             | 2    | 0603                |
| TSZU52C6V8  | 150            | 5         | 6.8                              | 5               | 8                                 | 150                               | 1.00 | 0.1                             | 3    | 0603                |
| TSZU52C7V5  | 150            | 5         | 7.5                              | 5               | 7                                 | 50                                | 1.00 | 0.1                             | 5    | 0603                |
| TSZU52C8V2  | 150            | 5         | 8.2                              | 5               | 7                                 | 50                                | 1.00 | 0.1                             | 6    | 0603                |
| TSZU52C9V1  | 150            | 5         | 9.1                              | 5               | 10                                | 50                                | 1.00 | 0.1                             | 7    | 0603                |
| TSZU52C10   | 150            | 5         | 10.0                             | 5               | 15                                | 70                                | 1.00 | 0.1                             | 7.5  | 0603                |
| TSZU52C11   | 150            | 5         | 11.0                             | 5               | 20                                | 70                                | 1.00 | 0.1                             | 8.5  | 0603                |
| TSZU52C12   | 150            | 5         | 12.0                             | 5               | 20                                | 90                                | 1.00 | 0.1                             | 9    | 0603                |
| TSZU52C13   | 150            | 5         | 13.0                             | 5               | 25                                | 110                               | 1.00 | 0.1                             | 10   | 0603                |
| TSZU52C15   | 150            | 5         | 15.0                             | 5               | 30                                | 110                               | 1.00 | 0.1                             | 11   | 0603                |
| TSZU52C16   | 150            | 5         | 16.0                             | 5               | 40                                | 170                               | 1.00 | 0.1                             | 12   | 0603                |
| TSZU52C18   | 150            | 5         | 18.0                             | 5               | 50                                | 170                               | 1.00 | 0.1                             | 14   | 0603                |
| TSZU52C20   | 150            | 5         | 20.0                             | 5               | 50                                | 220                               | 1.00 | 0.1                             | 15   | 0603                |
| TSZU52C22   | 150            | 5         | 22.0                             | 5               | 55                                | 220                               | 1.00 | 0.1                             | 17   | 0603                |
| TSZU52C24   | 150            | 5         | 24.0                             | 5               | 80                                | 220                               | 1.00 | 0.1                             | 18   | 0603                |
| TSZU52C27   | 150            | 5         | 27.0                             | 5               | 80                                | 250                               | 1.00 | 0.1                             | 20   | 0603                |
| TSZU52C30   | 150            | 5         | 30.0                             | 5               | 80                                | 250                               | 1.00 | 0.1                             | 23   | 0603                |
| TSZU52C33   | 150            | 5         | 33.0                             | 5               | 80                                | 250                               | 1.00 | 0.1                             | 25   | 0603                |
| TSZU52C36   | 150            | 5         | 36.0                             | 5               | 90                                | 250                               | 1.00 | 0.1                             | 27   | 0603                |
| TSZU52C39   | 150            | 5         | 39.0                             | 5               | 90                                | 300                               | 1.00 | 0.1                             | 29   | 0603                |
| BZX584B4V7  | 150            | 2         | 4.7                              | 5               | 80                                | 500                               | 1.00 | 3                               | 2    | SOD-523F            |
| BZX584B5V1  | 150            | 2         | 5.1                              | 5               | 60                                | 480                               | 1.00 | 2                               | 2    | SOD-523F            |
| BZX584B5V6  | 150            | 2         | 5.6                              | 5               | 40                                | 400                               | 1.00 | 1                               | 2    | SOD-523F            |
| BZX584B6V2  | 150            | 2         | 6.2                              | 5               | 10                                | 150                               | 1.00 | 3                               | 4    | SOD-523F            |
| BZX584B6V8  | 150            | 2         | 6.8                              | 5               | 15                                | 80                                | 1.00 | 2                               | 4    | SOD-523F            |
| BZX584B7V5  | 150            | 2         | 7.5                              | 5               | 15                                | 80                                | 1.00 | 1                               | 5    | SOD-523F            |
| BZX584B8V2  | 150            | 2         | 8.2                              | 5               | 15                                | 80                                | 1.00 | 0.7                             | 5    | SOD-523F            |
| BZX584B9V1  | 150            | 2         | 9.1                              | 5               | 15                                | 100                               | 1.00 | 0.5                             | 6    | SOD-523F            |
| BZX584B10   | 150            | 2         | 10.0                             | 5               | 20                                | 150                               | 1.00 | 0.2                             | 7    | SOD-523F            |
| BZX584B11   | 150            | 2         | 11.0                             | 5               | 20                                | 150                               | 1.00 | 0.1                             | 8    | SOD-523F            |
| BZX584B12   | 150            | 2         | 12.0                             | 5               | 25                                | 150                               | 1.00 | 0.1                             | 8    | SOD-523F            |
| BZX584B13   | 150            | 2         | 13.0                             | 5               | 30                                | 170                               | 1.00 | 0.1                             | 8    | SOD-523F            |
| BZX584B15   | 150            | 2         | 15.0                             | 5               | 30                                | 200                               | 1.00 | 0.1                             | 10.5 | SOD-523F            |
| BZX584B16   | 150            | 2         | 16.0                             | 5               | 40                                | 200                               | 1.00 | 0.1                             | 11.2 | SOD-523F            |
| BZX584B18   | 150            | 2         | 18.0                             | 5               | 45                                | 225                               | 1.00 | 0.1                             | 12.6 | SOD-523F            |

## DIODES - ZENER

| Part Number | P <sub>D</sub> | Tolerance | V <sub>Z</sub> @ I <sub>ZT</sub> | I <sub>ZT</sub> | Z <sub>ZT</sub> @ I <sub>ZT</sub> | Z <sub>ZK</sub> @ I <sub>ZK</sub> |      | I <sub>R</sub> @ V <sub>R</sub> |      | Package Description |
|-------------|----------------|-----------|----------------------------------|-----------------|-----------------------------------|-----------------------------------|------|---------------------------------|------|---------------------|
|             | (mW)           | +/- (%)   | (V)                              | (mA)            | (Ω)                               | (Ω)                               | (mA) | (μA)                            | (V)  |                     |
| BZX584B20   | 150            | 2         | 20.0                             | 5               | 55                                | 225                               | 1.00 | 0.1                             | 14   | SOD-523F            |
| BZX585B2V4  | 200            | 2         | 2.4                              | 5               | 100                               | 564                               | 1.00 | 45                              | 1    | SOD-523F            |
| BZX585B2V7  | 200            | 2         | 2.7                              | 5               | 100                               | 564                               | 1.00 | 18                              | 1    | SOD-523F            |
| BZX585B3V0  | 200            | 2         | 3.0                              | 5               | 100                               | 564                               | 1.00 | 9                               | 1    | SOD-523F            |
| BZX585B3V3  | 200            | 2         | 3.3                              | 5               | 95                                | 564                               | 1.00 | 4.5                             | 1    | SOD-523F            |
| BZX585B3V6  | 200            | 2         | 3.6                              | 5               | 90                                | 564                               | 1.00 | 4.5                             | 1    | SOD-523F            |
| BZX585B3V9  | 200            | 2         | 3.9                              | 5               | 90                                | 564                               | 1.00 | 2.7                             | 1    | SOD-523F            |
| BZX585B4V3  | 200            | 2         | 4.3                              | 5               | 90                                | 564                               | 1.00 | 2.7                             | 1    | SOD-523F            |
| BZX585B4V7  | 200            | 2         | 4.7                              | 5               | 80                                | 470                               | 1.00 | 2.7                             | 2    | SOD-523F            |
| BZX585B5V1  | 200            | 2         | 5.1                              | 5               | 60                                | 451                               | 1.00 | 1.8                             | 2    | SOD-523F            |
| BZX585B5V6  | 200            | 2         | 5.6                              | 5               | 40                                | 376                               | 1.00 | 0.9                             | 2    | SOD-523F            |
| BZX585B6V2  | 200            | 2         | 6.2                              | 5               | 10                                | 141                               | 1.00 | 2.7                             | 4    | SOD-523F            |
| BZX585B6V8  | 200            | 2         | 6.8                              | 5               | 15                                | 75                                | 1.00 | 1.8                             | 4    | SOD-523F            |
| BZX585B7V5  | 200            | 2         | 7.5                              | 5               | 15                                | 75                                | 1.00 | 0.9                             | 5    | SOD-523F            |
| BZX585B8V2  | 200            | 2         | 8.2                              | 5               | 15                                | 75                                | 1.00 | 0.63                            | 5    | SOD-523F            |
| BZX585B9V1  | 200            | 2         | 9.1                              | 5               | 15                                | 94                                | 1.00 | 0.45                            | 6    | SOD-523F            |
| BZX585B10   | 200            | 2         | 10                               | 5               | 20                                | 141                               | 1.00 | 0.18                            | 7    | SOD-523F            |
| BZX585B11   | 200            | 2         | 11                               | 5               | 20                                | 141                               | 1.00 | 0.09                            | 8    | SOD-523F            |
| BZX585B12   | 200            | 2         | 12                               | 5               | 25                                | 141                               | 1.00 | 0.09                            | 8    | SOD-523F            |
| BZX585B13   | 200            | 2         | 13                               | 5               | 30                                | 160                               | 1.00 | 0.09                            | 8    | SOD-523F            |
| BZX585B15   | 200            | 2         | 15                               | 5               | 30                                | 188                               | 1.00 | 0.045                           | 10.5 | SOD-523F            |
| BZX585B16   | 200            | 2         | 16                               | 5               | 40                                | 188                               | 1.00 | 0.045                           | 11.2 | SOD-523F            |
| BZX585B18   | 200            | 2         | 18                               | 5               | 45                                | 212                               | 1.00 | 0.045                           | 12.6 | SOD-523F            |
| BZX585B20   | 200            | 2         | 20                               | 5               | 55                                | 212                               | 1.00 | 0.045                           | 14.0 | SOD-523F            |
| BZX585B22   | 200            | 2         | 22                               | 5               | 55                                | 235                               | 1.00 | 0.045                           | 15.4 | SOD-523F            |
| BZX585B24   | 200            | 2         | 24                               | 5               | 70                                | 235                               | 1.00 | 0.045                           | 16.8 | SOD-523F            |
| BZX585B27   | 200            | 2         | 27                               | 2               | 80                                | 282                               | 0.50 | 0.045                           | 18.9 | SOD-523F            |
| BZX585B30   | 200            | 2         | 30                               | 2               | 80                                | 282                               | 0.50 | 0.045                           | 21.0 | SOD-523F            |
| BZX585B33   | 200            | 2         | 33                               | 2               | 80                                | 306                               | 0.50 | 0.045                           | 23.0 | SOD-523F            |
| BZX585B36   | 200            | 2         | 36                               | 2               | 90                                | 329                               | 0.50 | 0.045                           | 25.2 | SOD-523F            |
| BZX585B39   | 200            | 2         | 39                               | 2               | 130                               | 329                               | 0.50 | 0.045                           | 27.3 | SOD-523F            |
| BZX585B43   | 200            | 2         | 43                               | 2               | 150                               | 353                               | 0.50 | 0.045                           | 30.1 | SOD-523F            |
| BZX585B47   | 200            | 2         | 47                               | 2               | 170                               | 353                               | 0.50 | 0.045                           | 33.0 | SOD-523F            |
| BZX585B51   | 200            | 2         | 51                               | 2               | 180                               | 376                               | 0.50 | 0.045                           | 35.7 | SOD-523F            |
| BZT52B2V4S  | 200            | 2         | 2.4                              | 5               | 100                               | 564                               | 1.00 | 45                              | 1    | SOD-323F            |
| BZT52B2V7S  | 200            | 2         | 2.7                              | 5               | 100                               | 564                               | 1.00 | 18                              | 1    | SOD-323F            |
| BZT52B3V0S  | 200            | 2         | 3.0                              | 5               | 100                               | 564                               | 1.00 | 9                               | 1    | SOD-323F            |
| BZT52B3V3S  | 200            | 2         | 3.3                              | 5               | 95                                | 564                               | 1.00 | 4.5                             | 1    | SOD-323F            |
| BZT52B3V6S  | 200            | 2         | 3.6                              | 5               | 90                                | 564                               | 1.00 | 4.5                             | 1    | SOD-323F            |
| BZT52B3V9S  | 200            | 2         | 3.9                              | 5               | 90                                | 564                               | 1.00 | 2.7                             | 1    | SOD-323F            |
| BZT52B4V3S  | 200            | 2         | 4.3                              | 5               | 90                                | 564                               | 1.00 | 2.7                             | 1    | SOD-323F            |
| BZT52B4V7S  | 200            | 2         | 4.7                              | 5               | 80                                | 470                               | 1.00 | 2.7                             | 2    | SOD-323F            |
| BZT52B5V1S  | 200            | 2         | 5.1                              | 5               | 60                                | 451                               | 1.00 | 1.8                             | 2    | SOD-323F            |
| BZT52B5V6S  | 200            | 2         | 5.6                              | 5               | 40                                | 376                               | 1.00 | 0.9                             | 2    | SOD-323F            |
| BZT52B6V2S  | 200            | 2         | 6.2                              | 5               | 10                                | 141                               | 1.00 | 2.7                             | 4    | SOD-323F            |
| BZT52B6V8S  | 200            | 2         | 6.8                              | 5               | 15                                | 75                                | 1.00 | 1.8                             | 4    | SOD-323F            |
| BZT52B7V5S  | 200            | 2         | 7.5                              | 5               | 15                                | 75                                | 1.00 | 0.9                             | 5    | SOD-323F            |



## DIODES - ZENER

| Part Number | P <sub>D</sub> | Tolerance | V <sub>Z</sub> @ I <sub>ZT</sub> | I <sub>ZT</sub> | Z <sub>ZT</sub> @ I <sub>ZT</sub> | Z <sub>ZK</sub> @ I <sub>ZK</sub> |      | I <sub>R</sub> @ V <sub>R</sub> |      | Package     |
|-------------|----------------|-----------|----------------------------------|-----------------|-----------------------------------|-----------------------------------|------|---------------------------------|------|-------------|
|             | (mW)           | +/- (%)   | (V)                              | (mA)            | (Ω)                               | (Ω)                               | (mA) | (μA)                            | (V)  | Description |
| BZT52B8V2S  | 200            | 2         | 8.2                              | 5               | 15                                | 75                                | 1.00 | 0.63                            | 5    | SOD-323F    |
| BZT52B9V1S  | 200            | 2         | 9.1                              | 5               | 15                                | 94                                | 1.00 | 0.45                            | 6    | SOD-323F    |
| BZT52B10S   | 200            | 2         | 10.0                             | 5               | 20                                | 141                               | 1.00 | 0.18                            | 7    | SOD-323F    |
| BZT52B11S   | 200            | 2         | 11.0                             | 5               | 20                                | 141                               | 1.00 | 0.09                            | 8    | SOD-323F    |
| BZT52B12S   | 200            | 2         | 12.0                             | 5               | 25                                | 141                               | 1.00 | 0.09                            | 8    | SOD-323F    |
| BZT52B13S   | 200            | 2         | 13.0                             | 5               | 30                                | 160                               | 1.00 | 0.09                            | 8    | SOD-323F    |
| BZT52B15S   | 200            | 2         | 15.0                             | 5               | 30                                | 188                               | 1.00 | 0.045                           | 10.5 | SOD-323F    |
| BZT52B16S   | 200            | 2         | 16.0                             | 5               | 40                                | 188                               | 1.00 | 0.045                           | 11.2 | SOD-323F    |
| BZT52B18S   | 200            | 2         | 18.0                             | 5               | 45                                | 212                               | 1.00 | 0.045                           | 12.6 | SOD-323F    |
| BZT52B20S   | 200            | 2         | 20.0                             | 5               | 55                                | 212                               | 1.00 | 0.045                           | 14   | SOD-323F    |
| BZT52B22S   | 200            | 2         | 22.0                             | 5               | 55                                | 235                               | 1.00 | 0.045                           | 15.4 | SOD-323F    |
| BZT52B24S   | 200            | 2         | 24.0                             | 5               | 70                                | 235                               | 1.00 | 0.045                           | 16.8 | SOD-323F    |
| BZT52B27S   | 200            | 2         | 27.0                             | 2               | 80                                | 282                               | 0.50 | 0.045                           | 18.9 | SOD-323F    |
| BZT52B30S   | 200            | 2         | 30.0                             | 2               | 80                                | 282                               | 0.50 | 0.045                           | 21   | SOD-323F    |
| BZT52B33S   | 200            | 2         | 33.0                             | 2               | 80                                | 306                               | 0.50 | 0.045                           | 23   | SOD-323F    |
| BZT52B36S   | 200            | 2         | 36.0                             | 2               | 90                                | 329                               | 0.50 | 0.045                           | 25.2 | SOD-323F    |
| BZT52B39S   | 200            | 2         | 39.0                             | 2               | 130                               | 329                               | 0.50 | 0.045                           | 27.3 | SOD-323F    |
| BZT52B43S   | 200            | 2         | 43.0                             | 2               | 150                               | 353                               | 0.50 | 0.045                           | 30.1 | SOD-323F    |
| BZT52B47S   | 200            | 2         | 47.0                             | 2               | 170                               | 353                               | 0.50 | 0.045                           | 33   | SOD-323F    |
| BZT52B51S   | 200            | 2         | 51.0                             | 2               | 180                               | 376                               | 0.50 | 0.045                           | 35.7 | SOD-323F    |
| BZT52B56S   | 200            | 2         | 56.0                             | 2               | 200                               | 400                               | 0.50 | 0.045                           | 39.2 | SOD-323F    |
| BZT52B62S   | 200            | 2         | 62.0                             | 2               | 215                               | 423                               | 0.50 | 0.045                           | 43.4 | SOD-323F    |
| BZT52B68S   | 200            | 2         | 68.0                             | 2               | 240                               | 447                               | 0.50 | 0.045                           | 47.6 | SOD-323F    |
| BZT52B75S   | 200            | 2         | 75.0                             | 2               | 255                               | 470                               | 0.50 | 0.045                           | 52.5 | SOD-323F    |
| UDZS3V6B    | 200            | 2         | 3.6                              | 5               | 90                                | 600                               | 1.00 | 4.5                             | 1    | SOD-323F    |
| UDZS3V9B    | 200            | 2         | 3.9                              | 5               | 90                                | 600                               | 1.00 | 2.7                             | 1    | SOD-323F    |
| UDZS4V3B    | 200            | 2         | 4.3                              | 5               | 90                                | 600                               | 1.00 | 2.7                             | 1    | SOD-323F    |
| UDZS4V7B    | 200            | 2         | 4.7                              | 5               | 80                                | 500                               | 1.00 | 2.7                             | 1    | SOD-323F    |
| UDZS5V1B    | 200            | 2         | 5.1                              | 5               | 60                                | 500                               | 1.00 | 1.8                             | 2    | SOD-323F    |
| UDZS5V6B    | 200            | 2         | 5.6                              | 5               | 40                                | 300                               | 1.00 | 0.9                             | 3    | SOD-323F    |
| UDZS6V2B    | 200            | 2         | 6.2                              | 5               | 40                                | 150                               | 1.00 | 2.7                             | 3    | SOD-323F    |
| UDZS6V8B    | 200            | 2         | 6.8                              | 5               | 30                                | 75                                | 1.00 | 1.8                             | 4    | SOD-323F    |
| UDZS7V5B    | 200            | 2         | 7.5                              | 5               | 30                                | 75                                | 1.00 | 0.9                             | 4    | SOD-323F    |
| UDZS8V2B    | 200            | 2         | 8.2                              | 5               | 30                                | 75                                | 1.00 | 0.63                            | 5    | SOD-323F    |
| UDZS9V1B    | 200            | 2         | 9.1                              | 5               | 30                                | 90                                | 1.00 | 0.45                            | 6    | SOD-323F    |
| UDZS10B     | 200            | 2         | 10.0                             | 5               | 20                                | 150                               | 1.00 | 0.18                            | 7    | SOD-323F    |
| UDZS11B     | 200            | 2         | 11.0                             | 5               | 20                                | 150                               | 1.00 | 0.09                            | 8    | SOD-323F    |
| UDZS12B     | 200            | 2         | 12.0                             | 5               | 20                                | 150                               | 1.00 | 0.09                            | 9    | SOD-323F    |
| UDZS13B     | 200            | 2         | 13.0                             | 5               | 40                                | 160                               | 1.00 | 0.045                           | 10   | SOD-323F    |
| UDZS15B     | 200            | 2         | 15.0                             | 5               | 40                                | 190                               | 1.00 | 0.045                           | 11   | SOD-323F    |
| UDZS16B     | 200            | 2         | 16.0                             | 5               | 40                                | 190                               | 1.00 | 0.045                           | 12   | SOD-323F    |
| UDZS18B     | 200            | 2         | 18.0                             | 5               | 50                                | 220                               | 1.00 | 0.045                           | 13   | SOD-323F    |
| UDZS20B     | 200            | 2         | 20.0                             | 5               | 60                                | 220                               | 1.00 | 0.045                           | 15   | SOD-323F    |
| UDZS22B     | 200            | 2         | 22.0                             | 5               | 80                                | 240                               | 1.00 | 0.045                           | 17   | SOD-323F    |
| UDZS24B     | 200            | 2         | 24.0                             | 5               | 80                                | 240                               | 1.00 | 0.045                           | 19   | SOD-323F    |
| UDZS27B     | 200            | 2         | 27.0                             | 5               | 100                               | 300                               | 0.50 | 0.045                           | 21   | SOD-323F    |
| UDZS30B     | 200            | 2         | 30.0                             | 5               | 100                               | 300                               | 0.50 | 0.045                           | 23   | SOD-323F    |

## DIODES - ZENER

| Part Number | P <sub>D</sub> | Tolerance | V <sub>Z</sub> @ I <sub>ZT</sub> | I <sub>ZT</sub> | Z <sub>ZT</sub> @ I <sub>ZT</sub> | Z <sub>ZK</sub> @ I <sub>ZK</sub> |      | I <sub>R</sub> @ V <sub>R</sub> |      | Package     |
|-------------|----------------|-----------|----------------------------------|-----------------|-----------------------------------|-----------------------------------|------|---------------------------------|------|-------------|
|             | (mW)           | +/- (%)   | (V)                              | (mA)            | (Ω)                               | (Ω)                               | (mA) | (μA)                            | (V)  | Description |
| UDZS33B     | 200            | 2         | 33.0                             | 5               | 100                               | 310                               | 0.50 | 0.045                           | 25   | SOD-323F    |
| UDZS36B     | 200            | 2         | 36.0                             | 5               | 100                               | 330                               | 0.50 | 0.045                           | 27   | SOD-323F    |
| BZT52C2V4S  | 200            | 5         | 2.4                              | 5               | 100                               | 564                               | 1.00 | 45                              | 1    | SOD-323F    |
| BZT52C2V7S  | 200            | 5         | 2.7                              | 5               | 100                               | 564                               | 1.00 | 18                              | 1    | SOD-323F    |
| BZT52C3V0S  | 200            | 5         | 3.0                              | 5               | 100                               | 564                               | 1.00 | 9                               | 1    | SOD-323F    |
| BZT52C3V3S  | 200            | 5         | 3.3                              | 5               | 95                                | 564                               | 1.00 | 4.5                             | 1    | SOD-323F    |
| BZT52C3V6S  | 200            | 5         | 3.6                              | 5               | 90                                | 564                               | 1.00 | 4.5                             | 1    | SOD-323F    |
| BZT52C3V9S  | 200            | 5         | 3.9                              | 5               | 90                                | 564                               | 1.00 | 2.7                             | 1    | SOD-323F    |
| BZT52C4V3S  | 200            | 5         | 4.3                              | 5               | 90                                | 564                               | 1.00 | 2.7                             | 1    | SOD-323F    |
| BZT52C4V7S  | 200            | 5         | 4.7                              | 5               | 80                                | 470                               | 1.00 | 2.7                             | 2    | SOD-323F    |
| BZT52C5V1S  | 200            | 5         | 5.1                              | 5               | 60                                | 451                               | 1.00 | 1.8                             | 2    | SOD-323F    |
| BZT52C5V6S  | 200            | 5         | 5.6                              | 5               | 40                                | 376                               | 1.00 | 0.9                             | 2    | SOD-323F    |
| BZT52C6V2S  | 200            | 5         | 6.2                              | 5               | 10                                | 141                               | 1.00 | 2.7                             | 4    | SOD-323F    |
| BZT52C6V8S  | 200            | 5         | 6.8                              | 5               | 15                                | 75                                | 1.00 | 1.8                             | 4    | SOD-323F    |
| BZT52C7V5S  | 200            | 5         | 7.5                              | 5               | 15                                | 75                                | 1.00 | 0.9                             | 5    | SOD-323F    |
| BZT52C8V2S  | 200            | 5         | 8.2                              | 5               | 15                                | 75                                | 1.00 | 0.63                            | 5    | SOD-323F    |
| BZT52C9V1S  | 200            | 5         | 9.1                              | 5               | 15                                | 94                                | 1.00 | 0.45                            | 6    | SOD-323F    |
| BZT52C10S   | 200            | 5         | 10.0                             | 5               | 20                                | 141                               | 1.00 | 0.18                            | 7    | SOD-323F    |
| BZT52C11S   | 200            | 5         | 11.0                             | 5               | 20                                | 141                               | 1.00 | 0.09                            | 8    | SOD-323F    |
| BZT52C12S   | 200            | 5         | 12.0                             | 5               | 25                                | 141                               | 1.00 | 0.09                            | 8    | SOD-323F    |
| BZT52C13S   | 200            | 5         | 13.0                             | 5               | 30                                | 160                               | 1.00 | 0.09                            | 8    | SOD-323F    |
| BZT52C15S   | 200            | 5         | 15.0                             | 5               | 30                                | 188                               | 1.00 | 0.045                           | 10.5 | SOD-323F    |
| BZT52C16S   | 200            | 5         | 16.0                             | 5               | 40                                | 188                               | 1.00 | 0.045                           | 11.2 | SOD-323F    |
| BZT52C18S   | 200            | 5         | 18.0                             | 5               | 45                                | 212                               | 1.00 | 0.045                           | 12.6 | SOD-323F    |
| BZT52C20S   | 200            | 5         | 20.0                             | 5               | 55                                | 212                               | 1.00 | 0.045                           | 14   | SOD-323F    |
| BZT52C22S   | 200            | 5         | 22.0                             | 5               | 55                                | 235                               | 1.00 | 0.045                           | 15.4 | SOD-323F    |
| BZT52C24S   | 200            | 5         | 24.0                             | 5               | 70                                | 235                               | 1.00 | 0.045                           | 16.8 | SOD-323F    |
| BZT52C27S   | 200            | 5         | 27.0                             | 2               | 80                                | 282                               | 0.50 | 0.045                           | 18.9 | SOD-323F    |
| BZT52C30S   | 200            | 5         | 30.0                             | 2               | 80                                | 282                               | 0.50 | 0.045                           | 21   | SOD-323F    |
| BZT52C33S   | 200            | 5         | 33.0                             | 2               | 80                                | 306                               | 0.50 | 0.045                           | 23   | SOD-323F    |
| BZT52C36S   | 200            | 5         | 36.0                             | 2               | 90                                | 329                               | 0.50 | 0.045                           | 25.2 | SOD-323F    |
| BZT52C39S   | 200            | 5         | 39.0                             | 2               | 130                               | 329                               | 0.50 | 0.045                           | 27.3 | SOD-323F    |
| BZT52C43S   | 200            | 5         | 43.0                             | 2               | 150                               | 353                               | 0.50 | 0.045                           | 30.1 | SOD-323F    |
| BZT52C47S   | 200            | 5         | 47.0                             | 2               | 170                               | 353                               | 0.50 | 0.045                           | 33   | SOD-323F    |
| BZT52C51S   | 200            | 5         | 51.0                             | 2               | 180                               | 376                               | 0.50 | 0.045                           | 35.7 | SOD-323F    |
| BZT52C56S   | 200            | 5         | 56.0                             | 2               | 200                               | 400                               | 0.50 | 0.045                           | 39.2 | SOD-323F    |
| BZT52C62S   | 200            | 5         | 62.0                             | 2               | 215                               | 423                               | 0.50 | 0.045                           | 43.4 | SOD-323F    |
| BZT52C68S   | 200            | 5         | 68.0                             | 2               | 240                               | 447                               | 0.50 | 0.045                           | 47.6 | SOD-323F    |
| BZT52C75S   | 200            | 5         | 75.0                             | 2               | 255                               | 470                               | 0.50 | 0.045                           | 52.5 | SOD-323F    |
| BZT52C2V0K  | 200            | 5         | 2.0                              | 5               | 100                               | -                                 | -    | 120                             | 0.5  | SOD-523F    |
| BZT52C2V2K  | 200            | 5         | 2.2                              | 5               | 100                               | -                                 | -    | 120                             | 0.7  | SOD-523F    |
| BZT52C2V4K  | 200            | 5         | 2.4                              | 5               | 100                               | 1000                              | 1.00 | 120                             | 1    | SOD-523F    |
| BZT52C2V7K  | 200            | 5         | 2.7                              | 5               | 100                               | 1000                              | 1.00 | 120                             | 1    | SOD-523F    |
| BZT52C3V0K  | 200            | 5         | 3.0                              | 5               | 100                               | 1000                              | 1.00 | 50                              | 1    | SOD-523F    |
| BZT52C3V3K  | 200            | 5         | 3.3                              | 5               | 95                                | 1000                              | 1.00 | 20                              | 1    | SOD-523F    |
| BZT52C3V6K  | 200            | 5         | 3.6                              | 5               | 90                                | 1000                              | 1.00 | 10                              | 1    | SOD-523F    |
| BZT52C3V9K  | 200            | 5         | 3.9                              | 5               | 90                                | 1000                              | 1.00 | 5                               | 1    | SOD-523F    |



## DIODES - ZENER

| Part Number | P <sub>D</sub> | Tolerance | V <sub>Z</sub> @ I <sub>ZT</sub> | I <sub>ZT</sub> | Z <sub>ZT</sub> @ I <sub>ZT</sub> | Z <sub>ZK</sub> @ I <sub>ZK</sub> |      | I <sub>R</sub> @ V <sub>R</sub> |     | Package     |
|-------------|----------------|-----------|----------------------------------|-----------------|-----------------------------------|-----------------------------------|------|---------------------------------|-----|-------------|
|             | (mW)           | +/- (%)   | (V)                              | (mA)            | (Ω)                               | (Ω)                               | (mA) | (μA)                            | (V) | Description |
| BZT52C4V3K  | 200            | 5         | 4.3                              | 5               | 90                                | 1000                              | 1.00 | 5                               | 1   | SOD-523F    |
| BZT52C4V7K  | 200            | 5         | 4.7                              | 5               | 80                                | 800                               | 1.00 | 2                               | 1   | SOD-523F    |
| BZT52C5V1K  | 200            | 5         | 5.1                              | 5               | 60                                | 500                               | 1.00 | 2                               | 1.5 | SOD-523F    |
| BZT52C5V6K  | 200            | 5         | 5.6                              | 5               | 40                                | 200                               | 1.00 | 1                               | 2.5 | SOD-523F    |
| BZT52C6V2K  | 200            | 5         | 6.2                              | 5               | 10                                | 100                               | 1.00 | 1                               | 3   | SOD-523F    |
| BZT52C6V8K  | 200            | 5         | 6.8                              | 5               | 15                                | 160                               | 1.00 | 0.5                             | 3.5 | SOD-523F    |
| BZT52C7V5K  | 200            | 5         | 7.5                              | 5               | 15                                | 160                               | 1.00 | 0.5                             | 4   | SOD-523F    |
| BZT52C8V2K  | 200            | 5         | 8.2                              | 5               | 15                                | 160                               | 1.00 | 0.5                             | 5   | SOD-523F    |
| BZT52C9V1K  | 200            | 5         | 9.1                              | 5               | 15                                | 160                               | 1.00 | 0.5                             | 6   | SOD-523F    |
| BZT52C10K   | 200            | 5         | 10.0                             | 5               | 20                                | 160                               | 1.00 | 0.1                             | 7   | SOD-523F    |
| BZT52C11K   | 200            | 5         | 11.0                             | 5               | 20                                | 160                               | 1.00 | 0.1                             | 8   | SOD-523F    |
| BZT52C12K   | 200            | 5         | 12.0                             | 5               | 25                                | 80                                | 1.00 | 0.1                             | 9   | SOD-523F    |
| BZT52C13K   | 200            | 5         | 13.0                             | 5               | 30                                | 80                                | 1.00 | 0.1                             | 10  | SOD-523F    |
| BZT52C15K   | 200            | 5         | 15.0                             | 5               | 30                                | 80                                | 1.00 | 0.1                             | 11  | SOD-523F    |
| BZT52C16K   | 200            | 5         | 16.0                             | 2               | 40                                | 80                                | 1.00 | 0.1                             | 12  | SOD-523F    |
| BZT52C18K   | 200            | 5         | 18.0                             | 2               | 45                                | 80                                | 1.00 | 0.1                             | 13  | SOD-523F    |
| BZT52C20K   | 200            | 5         | 20.0                             | 2               | 55                                | 100                               | 1.00 | 0.1                             | 15  | SOD-523F    |
| BZT52C22K   | 200            | 5         | 22.0                             | 2               | 55                                | 100                               | 1.00 | 0.1                             | 17  | SOD-523F    |
| BZT52C24K   | 200            | 5         | 24.0                             | 2               | 70                                | 120                               | 1.00 | 0.1                             | 19  | SOD-523F    |
| BZT52C27K   | 200            | 5         | 27.0                             | 2               | 80                                | 300                               | 1.00 | 0.1                             | 21  | SOD-523F    |
| BZT52C30K   | 200            | 5         | 30.0                             | 2               | 80                                | 300                               | 1.00 | 0.1                             | 23  | SOD-523F    |
| BZT52C33K   | 200            | 5         | 33.0                             | 2               | 80                                | 300                               | 1.00 | 0.1                             | 25  | SOD-523F    |
| BZT52C36K   | 200            | 5         | 36.0                             | 2               | 90                                | 500                               | 1.00 | 0.1                             | 27  | SOD-523F    |
| BZT52C39K   | 200            | 5         | 39.0                             | 2               | 130                               | 500                               | 1.00 | 2                               | 30  | SOD-523F    |
| BZT52C43K   | 200            | 5         | 43.0                             | 1               | 150                               | 500                               | 1.00 | 2                               | 33  | SOD-523F    |
| BZT52C47K   | 200            | 5         | 47.0                             | 1               | 170                               | 500                               | 1.00 | 2                               | 36  | SOD-523F    |
| BZT52C51K   | 200            | 5         | 51.0                             | 1               | 180                               | 500                               | 1.00 | 1                               | 39  | SOD-523F    |
| BZT52C56K   | 200            | 5         | 56.0                             | 1               | 200                               | 500                               | 1.00 | 1                               | 43  | SOD-523F    |
| BZT52C62K   | 200            | 5         | 62.0                             | 1               | 215                               | 500                               | 1.00 | 0.2                             | 47  | SOD-523F    |
| BZT52C68K   | 200            | 5         | 68.0                             | 1               | 240                               | 500                               | 1.00 | 0.2                             | 52  | SOD-523F    |
| BZT52C75K   | 200            | 5         | 75.0                             | 1               | 255                               | 500                               | 1.00 | 0.2                             | 57  | SOD-523F    |
| TSZL52C2V4  | 200            | 5         | 2.4                              | 5               | 85                                | 600                               | 1.00 | 100                             | 1   | 1005        |
| TSZL52C2V7  | 200            | 5         | 2.7                              | 5               | 83                                | 500                               | 1.00 | 75                              | 1   | 1005        |
| TSZL52C3V0  | 200            | 5         | 3.0                              | 5               | 95                                | 500                               | 1.00 | 50                              | 1   | 1005        |
| TSZL52C3V3  | 200            | 5         | 3.3                              | 5               | 95                                | 500                               | 1.00 | 25                              | 1   | 1005        |
| TSZL52C3V6  | 200            | 5         | 3.6                              | 5               | 95                                | 500                               | 1.00 | 15                              | 1   | 1005        |
| TSZL52C3V9  | 200            | 5         | 3.9                              | 5               | 95                                | 500                               | 1.00 | 10                              | 1   | 1005        |
| TSZL52C4V3  | 200            | 5         | 4.3                              | 5               | 95                                | 500                               | 1.00 | 5                               | 1   | 1005        |
| TSZL52C4V7  | 200            | 5         | 4.7                              | 5               | 78                                | 500                               | 1.00 | 5                               | 2   | 1005        |
| TSZL52C5V1  | 200            | 5         | 5.1                              | 5               | 60                                | 480                               | 1.00 | 0.1                             | 0.8 | 1005        |
| TSZL52C5V6  | 200            | 5         | 5.6                              | 5               | 40                                | 400                               | 1.00 | 0.1                             | 1   | 1005        |
| TSZL52C6V2  | 200            | 5         | 6.2                              | 5               | 10                                | 200                               | 1.00 | 0.1                             | 2   | 1005        |
| TSZL52C6V8  | 200            | 5         | 6.8                              | 5               | 8                                 | 150                               | 1.00 | 0.1                             | 3   | 1005        |
| TSZL52C7V5  | 200            | 5         | 7.5                              | 5               | 7                                 | 50                                | 1.00 | 0.1                             | 5   | 1005        |
| TSZL52C8V2  | 200            | 5         | 8.2                              | 5               | 7                                 | 50                                | 1.00 | 0.1                             | 6   | 1005        |
| TSZL52C9V1  | 200            | 5         | 9.1                              | 5               | 10                                | 50                                | 1.00 | 0.1                             | 7   | 1005        |
| TSZL52C10   | 200            | 5         | 10.0                             | 5               | 15                                | 70                                | 1.00 | 0.1                             | 7.5 | 1005        |

## DIODES - ZENER

| Part Number | P <sub>D</sub> | Tolerance | V <sub>Z</sub> @ I <sub>ZT</sub> | I <sub>ZT</sub> | Z <sub>ZT</sub> @ I <sub>ZT</sub> | Z <sub>ZK</sub> @ I <sub>ZK</sub> |      | I <sub>R</sub> @ V <sub>R</sub> |      | Package     |
|-------------|----------------|-----------|----------------------------------|-----------------|-----------------------------------|-----------------------------------|------|---------------------------------|------|-------------|
|             | (mW)           | +/- (%)   | (V)                              | (mA)            | (Ω)                               | (Ω)                               | (mA) | (μA)                            | (V)  | Description |
| TSZL52C11   | 200            | 5         | 11.0                             | 5               | 20                                | 70                                | 1.00 | 0.1                             | 8.5  | 1005        |
| TSZL52C12   | 200            | 5         | 12.0                             | 5               | 20                                | 90                                | 1.00 | 0.1                             | 9    | 1005        |
| TSZL52C13   | 200            | 5         | 13.0                             | 5               | 25                                | 110                               | 1.00 | 0.1                             | 10   | 1005        |
| TSZL52C15   | 200            | 5         | 15.0                             | 5               | 30                                | 110                               | 1.00 | 0.1                             | 11   | 1005        |
| TSZL52C16   | 200            | 5         | 16.0                             | 5               | 40                                | 170                               | 1.00 | 0.1                             | 12   | 1005        |
| TSZL52C18   | 200            | 5         | 18.0                             | 5               | 50                                | 170                               | 1.00 | 0.1                             | 14   | 1005        |
| TSZL52C20   | 200            | 5         | 20.0                             | 5               | 50                                | 220                               | 1.00 | 0.1                             | 15   | 1005        |
| TSZL52C22   | 200            | 5         | 22.0                             | 5               | 55                                | 220                               | 1.00 | 0.1                             | 17   | 1005        |
| TSZL52C24   | 200            | 5         | 24.0                             | 5               | 80                                | 220                               | 1.00 | 0.1                             | 18   | 1005        |
| TSZL52C27   | 200            | 5         | 27.0                             | 5               | 80                                | 250                               | 1.00 | 0.1                             | 20   | 1005        |
| TSZL52C30   | 200            | 5         | 30.0                             | 5               | 80                                | 250                               | 1.00 | 0.1                             | 23   | 1005        |
| TSZL52C33   | 200            | 5         | 33.0                             | 5               | 80                                | 250                               | 1.00 | 0.1                             | 25   | 1005        |
| TSZL52C36   | 200            | 5         | 36.0                             | 5               | 90                                | 250                               | 1.00 | 0.1                             | 27   | 1005        |
| TSZL52C39   | 200            | 5         | 39.0                             | 5               | 90                                | 300                               | 1.00 | 0.1                             | 29   | 1005        |
| BZX84C2V4   | 300            | 5         | 2.4                              | 5               | 100                               | 600                               | 1.00 | 50                              | 1    | SOT-23      |
| BZX84C2V7   | 300            | 5         | 2.7                              | 5               | 100                               | 600                               | 1.00 | 20                              | 1    | SOT-23      |
| BZX84C3V0   | 300            | 5         | 3.0                              | 5               | 95                                | 600                               | 1.00 | 10                              | 1    | SOT-23      |
| BZX84C3V3   | 300            | 5         | 3.3                              | 5               | 95                                | 600                               | 1.00 | 5                               | 1    | SOT-23      |
| BZX84C3V6   | 300            | 5         | 3.6                              | 5               | 90                                | 600                               | 1.00 | 5                               | 1    | SOT-23      |
| BZX84C3V9   | 300            | 5         | 3.9                              | 5               | 90                                | 600                               | 1.00 | 3                               | 1    | SOT-23      |
| BZX84C4V3   | 300            | 5         | 4.3                              | 5               | 90                                | 600                               | 1.00 | 3                               | 1    | SOT-23      |
| BZX84C4V7   | 300            | 5         | 4.7                              | 5               | 80                                | 500                               | 1.00 | 3                               | 2    | SOT-23      |
| BZX84C5V1   | 300            | 5         | 5.1                              | 5               | 60                                | 480                               | 1.00 | 2                               | 2    | SOT-23      |
| BZX84C5V6   | 300            | 5         | 5.6                              | 5               | 40                                | 400                               | 1.00 | 1                               | 2    | SOT-23      |
| BZX84C6V2   | 300            | 5         | 6.2                              | 5               | 10                                | 150                               | 1.00 | 3                               | 4    | SOT-23      |
| BZX84C6V8   | 300            | 5         | 6.8                              | 5               | 15                                | 80                                | 1.00 | 2                               | 4    | SOT-23      |
| BZX84C7V5   | 300            | 5         | 7.5                              | 5               | 15                                | 80                                | 1.00 | 1                               | 5    | SOT-23      |
| BZX84C8V2   | 300            | 5         | 8.2                              | 5               | 15                                | 80                                | 1.00 | 0.7                             | 5    | SOT-23      |
| BZX84C9V1   | 300            | 5         | 9.1                              | 5               | 15                                | 100                               | 1.00 | 0.5                             | 6    | SOT-23      |
| BZX84C10    | 300            | 5         | 10.0                             | 5               | 20                                | 150                               | 1.00 | 0.2                             | 7    | SOT-23      |
| BZX84C11    | 300            | 5         | 11.0                             | 5               | 20                                | 150                               | 1.00 | 0.1                             | 8    | SOT-23      |
| BZX84C12    | 300            | 5         | 12.0                             | 5               | 25                                | 150                               | 1.00 | 0.1                             | 8    | SOT-23      |
| BZX84C13    | 300            | 5         | 13.0                             | 5               | 30                                | 170                               | 1.00 | 0.1                             | 8    | SOT-23      |
| BZX84C15    | 300            | 5         | 15.0                             | 5               | 30                                | 200                               | 1.00 | 0.1                             | 10.5 | SOT-23      |
| BZX84C16    | 300            | 5         | 16.0                             | 5               | 40                                | 200                               | 1.00 | 0.1                             | 11.2 | SOT-23      |
| BZX84C18    | 300            | 5         | 18.0                             | 5               | 45                                | 225                               | 1.00 | 0.1                             | 12.6 | SOT-23      |
| BZX84C20    | 300            | 5         | 20.0                             | 5               | 55                                | 225                               | 1.00 | 0.1                             | 14   | SOT-23      |
| BZX84C22    | 300            | 5         | 22.0                             | 5               | 55                                | 250                               | 1.00 | 0.1                             | 15.4 | SOT-23      |
| BZX84C24    | 300            | 5         | 24.0                             | 5               | 70                                | 250                               | 1.00 | 0.1                             | 16.8 | SOT-23      |
| BZX84C27    | 300            | 5         | 27.0                             | 2               | 80                                | 300                               | 0.50 | 0.1                             | 18.9 | SOT-23      |
| BZX84C30    | 300            | 5         | 30.0                             | 2               | 80                                | 300                               | 0.50 | 0.1                             | 21   | SOT-23      |
| BZX84C33    | 300            | 5         | 33.0                             | 2               | 80                                | 325                               | 0.50 | 0.1                             | 23.1 | SOT-23      |
| BZX84C36    | 300            | 5         | 36.0                             | 2               | 90                                | 350                               | 0.50 | 0.1                             | 25.2 | SOT-23      |
| BZX84C39    | 300            | 5         | 39.0                             | 2               | 130                               | 350                               | 0.50 | 0.1                             | 27.3 | SOT-23      |
| AZ23C2V7    | 300            | 5         | 2.7                              | 5               | 83                                | 500                               | 1.00 | 0.1                             | -    | SOT-23      |
| AZ23C3V0    | 300            | 5         | 3.0                              | 5               | 95                                | 500                               | 1.00 | 0.1                             | -    | SOT-23      |
| AZ23C3V3    | 300            | 5         | 3.3                              | 5               | 95                                | 500                               | 1.00 | 0.1                             | -    | SOT-23      |

## DIODES - ZENER

| Part Number | P <sub>D</sub> | Tolerance | V <sub>Z</sub> @ I <sub>ZT</sub> | I <sub>ZT</sub> | Z <sub>ZT</sub> @ I <sub>ZT</sub> | Z <sub>ZK</sub> @ I <sub>ZK</sub> |      | I <sub>R</sub> @ V <sub>R</sub> |      | Package     |
|-------------|----------------|-----------|----------------------------------|-----------------|-----------------------------------|-----------------------------------|------|---------------------------------|------|-------------|
|             | (mW)           | +/- (%)   | (V)                              | (mA)            | (Ω)                               | (Ω)                               | (mA) | (μA)                            | (V)  | Description |
| AZ23C3V6    | 300            | 5         | 3.6                              | 5               | 95                                | 500                               | 1.00 | 0.1                             | -    | SOT-23      |
| AZ23C3V9    | 300            | 5         | 3.9                              | 5               | 95                                | 500                               | 1.00 | 0.1                             | -    | SOT-23      |
| AZ23C4V3    | 300            | 5         | 4.3                              | 5               | 95                                | 500                               | 1.00 | 0.1                             | -    | SOT-23      |
| AZ23C4V7    | 300            | 5         | 4.7                              | 5               | 78                                | 500                               | 1.00 | 0.1                             | -    | SOT-23      |
| AZ23C5V1    | 300            | 5         | 5.1                              | 5               | 60                                | 480                               | 1.00 | 0.1                             | 0.8  | SOT-23      |
| AZ23C5V6    | 300            | 5         | 5.6                              | 5               | 40                                | 400                               | 1.00 | 0.1                             | 1    | SOT-23      |
| AZ23C6V2    | 300            | 5         | 6.2                              | 5               | 10                                | 200                               | 1.00 | 0.1                             | 2    | SOT-23      |
| AZ23C6V8    | 300            | 5         | 6.8                              | 5               | 8                                 | 150                               | 1.00 | 0.1                             | 3    | SOT-23      |
| AZ23C7V5    | 300            | 5         | 7.5                              | 5               | 7                                 | 50                                | 1.00 | 0.1                             | 5    | SOT-23      |
| AZ23C8V2    | 300            | 5         | 8.2                              | 5               | 7                                 | 50                                | 1.00 | 0.1                             | 6    | SOT-23      |
| AZ23C9V1    | 300            | 5         | 9.1                              | 5               | 10                                | 50                                | 1.00 | 0.1                             | 7    | SOT-23      |
| AZ23C10     | 300            | 5         | 10.0                             | 5               | 15                                | 70                                | 1.00 | 0.1                             | 7.5  | SOT-23      |
| AZ23C11     | 300            | 5         | 11.0                             | 5               | 20                                | 70                                | 1.00 | 0.1                             | 8.5  | SOT-23      |
| AZ23C12     | 300            | 5         | 12.0                             | 5               | 20                                | 90                                | 1.00 | 0.1                             | 9    | SOT-23      |
| AZ23C13     | 300            | 5         | 13.0                             | 5               | 25                                | 110                               | 1.00 | 0.1                             | 10   | SOT-23      |
| AZ23C15     | 300            | 5         | 15.0                             | 5               | 30                                | 110                               | 1.00 | 0.1                             | 11   | SOT-23      |
| AZ23C16     | 300            | 5         | 16.0                             | 5               | 40                                | 170                               | 1.00 | 0.1                             | 12   | SOT-23      |
| AZ23C18     | 300            | 5         | 18.0                             | 5               | 50                                | 170                               | 1.00 | 0.1                             | 14   | SOT-23      |
| AZ23C20     | 300            | 5         | 20.0                             | 5               | 50                                | 220                               | 1.00 | 0.1                             | 15   | SOT-23      |
| AZ23C22     | 300            | 5         | 22.0                             | 5               | 55                                | 220                               | 1.00 | 0.1                             | 17   | SOT-23      |
| AZ23C24     | 300            | 5         | 24.0                             | 5               | 80                                | 220                               | 1.00 | 0.1                             | 18   | SOT-23      |
| AZ23C27     | 300            | 5         | 27.0                             | 5               | 80                                | 250                               | 1.00 | 0.1                             | 20   | SOT-23      |
| AZ23C30     | 300            | 5         | 30.0                             | 5               | 80                                | 250                               | 1.00 | 0.1                             | 22.5 | SOT-23      |
| AZ23C33     | 300            | 5         | 33.0                             | 5               | 80                                | 250                               | 1.00 | 0.1                             | 25   | SOT-23      |
| AZ23C36     | 300            | 5         | 36.0                             | 5               | 90                                | 250                               | 1.00 | 0.1                             | 27   | SOT-23      |
| AZ23C39     | 300            | 5         | 39.0                             | 5               | 90                                | 300                               | 1.00 | 0.1                             | 29   | SOT-23      |
| AZ23C43     | 300            | 5         | 43.0                             | 5               | 100                               | 700                               | 1.00 | 0.1                             | 32   | SOT-23      |
| AZ23C47     | 300            | 5         | 47.0                             | 5               | 100                               | 750                               | 1.00 | 0.1                             | 35   | SOT-23      |
| AZ23C51     | 300            | 5         | 51.0                             | 5               | 100                               | 750                               | 1.00 | 0.1                             | 38   | SOT-23      |
| BZT52B2V4-G | 350            | 2         | 2.4                              | 5               | 100                               | 600                               | 1.00 | 50                              | 1    | SOD-123     |
| BZT52B2V7-G | 350            | 2         | 2.7                              | 5               | 100                               | 600                               | 1.00 | 20                              | 1    | SOD-123     |
| BZT52B3V0-G | 350            | 2         | 3.0                              | 5               | 95                                | 600                               | 1.00 | 10                              | 1    | SOD-123     |
| BZT52B3V3-G | 350            | 2         | 3.3                              | 5               | 95                                | 600                               | 1.00 | 5                               | 1    | SOD-123     |
| BZT52B3V6-G | 350            | 2         | 3.6                              | 5               | 90                                | 600                               | 1.00 | 5                               | 1    | SOD-123     |
| BZT52B3V9-G | 350            | 2         | 3.9                              | 5               | 90                                | 600                               | 1.00 | 3                               | 1    | SOD-123     |
| BZT52B4V3-G | 350            | 2         | 4.3                              | 5               | 90                                | 600                               | 1.00 | 3                               | 1    | SOD-123     |
| BZT52B4V7-G | 350            | 2         | 4.7                              | 5               | 80                                | 500                               | 1.00 | 3                               | 2    | SOD-123     |
| BZT52B5V1-G | 350            | 2         | 5.1                              | 5               | 60                                | 480                               | 1.00 | 2                               | 2    | SOD-123     |
| BZT52B5V6-G | 350            | 2         | 5.6                              | 5               | 40                                | 400                               | 1.00 | 1                               | 2    | SOD-123     |
| BZT52B6V2-G | 350            | 2         | 6.2                              | 5               | 10                                | 150                               | 1.00 | 3                               | 4    | SOD-123     |
| BZT52B6V8-G | 350            | 2         | 6.8                              | 5               | 15                                | 80                                | 1.00 | 2                               | 4    | SOD-123     |
| BZT52B7V5-G | 350            | 2         | 7.5                              | 5               | 15                                | 80                                | 1.00 | 1                               | 5    | SOD-123     |
| BZT52B8V2-G | 350            | 2         | 8.2                              | 5               | 15                                | 80                                | 1.00 | 0.7                             | 5    | SOD-123     |
| BZT52B9V1-G | 350            | 2         | 9.1                              | 5               | 15                                | 100                               | 1.00 | 0.5                             | 6    | SOD-123     |
| BZT52B10-G  | 350            | 2         | 10.0                             | 5               | 20                                | 150                               | 1.00 | 0.2                             | 7    | SOD-123     |
| BZT52B11-G  | 350            | 2         | 11.0                             | 5               | 20                                | 150                               | 1.00 | 0.1                             | 8    | SOD-123     |
| BZT52B12-G  | 350            | 2         | 12.0                             | 5               | 25                                | 150                               | 1.00 | 0.1                             | 8    | SOD-123     |

## DIODES - ZENER

| Part Number | P <sub>D</sub> | Tolerance | V <sub>Z</sub> @ I <sub>ZT</sub> | I <sub>ZT</sub> | Z <sub>ZT</sub> @ I <sub>ZT</sub> | Z <sub>ZK</sub> @ I <sub>ZK</sub> |      | I <sub>R</sub> @ V <sub>R</sub> |      | Package     |
|-------------|----------------|-----------|----------------------------------|-----------------|-----------------------------------|-----------------------------------|------|---------------------------------|------|-------------|
|             | (mW)           | +/- (%)   | (V)                              | (mA)            | (Ω)                               | (Ω)                               | (mA) | (μA)                            | (V)  | Description |
| BZT52B13-G  | 350            | 2         | 13.0                             | 5               | 30                                | 170                               | 1.00 | 0.1                             | 8    | SOD-123     |
| BZT52B15-G  | 350            | 2         | 15.0                             | 5               | 30                                | 200                               | 1.00 | 0.1                             | 10.5 | SOD-123     |
| BZT52B16-G  | 350            | 2         | 16.0                             | 5               | 40                                | 200                               | 1.00 | 0.1                             | 11.2 | SOD-123     |
| BZT52B18-G  | 350            | 2         | 18.0                             | 5               | 45                                | 225                               | 1.00 | 0.1                             | 12.6 | SOD-123     |
| BZT52B20-G  | 350            | 2         | 20.0                             | 5               | 55                                | 225                               | 1.00 | 0.1                             | 14   | SOD-123     |
| BZT52B22-G  | 350            | 2         | 22.0                             | 5               | 55                                | 250                               | 1.00 | 0.1                             | 15.4 | SOD-123     |
| BZT52B24-G  | 350            | 2         | 24.0                             | 5               | 70                                | 250                               | 1.00 | 0.1                             | 16.8 | SOD-123     |
| BZT52B27-G  | 350            | 2         | 27.0                             | 2               | 80                                | 300                               | 0.50 | 0.1                             | 18.9 | SOD-123     |
| BZT52B30-G  | 350            | 2         | 30.0                             | 2               | 80                                | 300                               | 0.50 | 0.1                             | 21   | SOD-123     |
| BZT52B33-G  | 350            | 2         | 33.0                             | 2               | 80                                | 325                               | 0.50 | 0.1                             | 23.1 | SOD-123     |
| BZT52B36-G  | 350            | 2         | 36.0                             | 2               | 90                                | 350                               | 0.50 | 0.1                             | 25.2 | SOD-123     |
| BZT52B39-G  | 350            | 2         | 39.0                             | 2               | 130                               | 350                               | 0.50 | 0.1                             | 27.3 | SOD-123     |
| BZT52B43-G  | 350            | 2         | 43.0                             | 2               | 130                               | 350                               | 0.50 | 0.1                             | 29.4 | SOD-123     |
| BZT52C2V4-G | 350            | 5         | 2.4                              | 5               | 100                               | 600                               | 1.00 | 50                              | 1    | SOD-123     |
| BZT52C2V7-G | 350            | 5         | 2.7                              | 5               | 100                               | 600                               | 1.00 | 20                              | 1    | SOD-123     |
| BZT52C3V0-G | 350            | 5         | 3.0                              | 5               | 95                                | 600                               | 1.00 | 10                              | 1    | SOD-123     |
| BZT52C3V3-G | 350            | 5         | 3.3                              | 5               | 95                                | 600                               | 1.00 | 5                               | 1    | SOD-123     |
| BZT52C3V6-G | 350            | 5         | 3.6                              | 5               | 90                                | 600                               | 1.00 | 5                               | 1    | SOD-123     |
| BZT52C3V9-G | 350            | 5         | 3.9                              | 5               | 90                                | 600                               | 1.00 | 3                               | 1    | SOD-123     |
| BZT52C4V3-G | 350            | 5         | 4.3                              | 5               | 90                                | 600                               | 1.00 | 3                               | 1    | SOD-123     |
| BZT52C4V7-G | 350            | 5         | 4.7                              | 5               | 80                                | 500                               | 1.00 | 3                               | 2    | SOD-123     |
| BZT52C5V1-G | 350            | 5         | 5.1                              | 5               | 60                                | 480                               | 1.00 | 2                               | 2    | SOD-123     |
| BZT52C5V6-G | 350            | 5         | 5.6                              | 5               | 40                                | 400                               | 1.00 | 1                               | 2    | SOD-123     |
| BZT52C6V2-G | 350            | 5         | 6.2                              | 5               | 10                                | 150                               | 1.00 | 3                               | 4    | SOD-123     |
| BZT52C6V8-G | 350            | 5         | 6.8                              | 5               | 15                                | 80                                | 1.00 | 2                               | 4    | SOD-123     |
| BZT52C7V5-G | 350            | 5         | 7.5                              | 5               | 15                                | 80                                | 1.00 | 1                               | 5    | SOD-123     |
| BZT52C8V2-G | 350            | 5         | 8.2                              | 5               | 15                                | 80                                | 1.00 | 0.7                             | 5    | SOD-123     |
| BZT52C9V1-G | 350            | 5         | 9.1                              | 5               | 15                                | 100                               | 1.00 | 0.5                             | 6    | SOD-123     |
| BZT52C10-G  | 350            | 5         | 10.0                             | 5               | 20                                | 150                               | 1.00 | 0.2                             | 7    | SOD-123     |
| BZT52C11-G  | 350            | 5         | 11.0                             | 5               | 20                                | 150                               | 1.00 | 0.1                             | 8    | SOD-123     |
| BZT52C12-G  | 350            | 5         | 12.0                             | 5               | 25                                | 150                               | 1.00 | 0.1                             | 8    | SOD-123     |
| BZT52C13-G  | 350            | 5         | 13.0                             | 5               | 30                                | 170                               | 1.00 | 0.1                             | 8    | SOD-123     |
| BZT52C15-G  | 350            | 5         | 15.0                             | 5               | 30                                | 200                               | 1.00 | 0.1                             | 10.5 | SOD-123     |
| BZT52C16-G  | 350            | 5         | 16.0                             | 5               | 40                                | 200                               | 1.00 | 0.1                             | 11.2 | SOD-123     |
| BZT52C18-G  | 350            | 5         | 18.0                             | 5               | 45                                | 225                               | 1.00 | 0.1                             | 12.6 | SOD-123     |
| BZT52C20-G  | 350            | 5         | 20.0                             | 5               | 55                                | 225                               | 1.00 | 0.1                             | 14   | SOD-123     |
| BZT52C22-G  | 350            | 5         | 22.0                             | 5               | 55                                | 250                               | 1.00 | 0.1                             | 15.4 | SOD-123     |
| BZT52C24-G  | 350            | 5         | 24.0                             | 5               | 70                                | 250                               | 1.00 | 0.1                             | 16.8 | SOD-123     |
| BZT52C27-G  | 350            | 5         | 27.0                             | 2               | 80                                | 300                               | 0.50 | 0.1                             | 18.9 | SOD-123     |
| BZT52C30-G  | 350            | 5         | 30.0                             | 2               | 80                                | 300                               | 0.50 | 0.1                             | 21   | SOD-123     |
| BZT52C33-G  | 350            | 5         | 33.0                             | 2               | 80                                | 325                               | 0.50 | 0.1                             | 23.1 | SOD-123     |
| BZT52C36-G  | 350            | 5         | 36.0                             | 2               | 90                                | 350                               | 0.50 | 0.1                             | 25.2 | SOD-123     |
| BZT52C39-G  | 350            | 5         | 39.0                             | 2               | 130                               | 350                               | 0.50 | 0.1                             | 27.3 | SOD-123     |
| BZT52C43-G  | 350            | 5         | 43.0                             | 5               | 100                               | 700                               | 1.00 | 0.1                             | 32   | SOD-123     |
| BZY5B2V4    | 500            | 2         | 2.4                              | 5               | 85                                | 600                               | 1.00 | 50                              | 1    | 0805        |
| BZY5B2V7    | 500            | 2         | 2.7                              | 5               | 85                                | 600                               | 1.00 | 10                              | 1    | 0805        |
| BZY5B3V0    | 500            | 2         | 3.0                              | 5               | 85                                | 600                               | 1.00 | 4                               | 1    | 0805        |

## DIODES - ZENER

| Part Number | P <sub>D</sub> | Tolerance | V <sub>Z</sub> @ I <sub>ZT</sub> | I <sub>ZT</sub> | Z <sub>ZT</sub> @ I <sub>ZT</sub> | Z <sub>ZK</sub> @ I <sub>ZK</sub> |      | I <sub>R</sub> @ V <sub>R</sub> |     | Package Description |
|-------------|----------------|-----------|----------------------------------|-----------------|-----------------------------------|-----------------------------------|------|---------------------------------|-----|---------------------|
|             | (mW)           | +/- (%)   | (V)                              | (mA)            | (Ω)                               | (Ω)                               | (mA) | (μA)                            | (V) |                     |
| BZY55B3V3   | 500            | 2         | 3.3                              | 5               | 85                                | 600                               | 1.00 | 2                               | 1   | 0805                |
| BZY55B3V6   | 500            | 2         | 3.6                              | 5               | 85                                | 600                               | 1.00 | 2                               | 1   | 0805                |
| BZY55B3V9   | 500            | 2         | 3.9                              | 5               | 85                                | 600                               | 1.00 | 2                               | 1   | 0805                |
| BZY55B4V3   | 500            | 2         | 4.3                              | 5               | 80                                | 600                               | 1.00 | 1                               | 1   | 0805                |
| BZY55B4V7   | 500            | 2         | 4.7                              | 5               | 70                                | 600                               | 1.00 | 0.5                             | 1   | 0805                |
| BZY55B5V1   | 500            | 2         | 5.1                              | 5               | 50                                | 550                               | 1.00 | 0.1                             | 1   | 0805                |
| BZY55B5V6   | 500            | 2         | 5.6                              | 5               | 30                                | 450                               | 1.00 | 0.1                             | 1   | 0805                |
| BZY55B6V2   | 500            | 2         | 6.2                              | 5               | 10                                | 200                               | 1.00 | 0.1                             | 2   | 0805                |
| BZY55B6V8   | 500            | 2         | 6.8                              | 5               | 8                                 | 150                               | 1.00 | 0.1                             | 3   | 0805                |
| BZY55B7V5   | 500            | 2         | 7.5                              | 5               | 7                                 | 50                                | 1.00 | 0.1                             | 5   | 0805                |
| BZY55B8V2   | 500            | 2         | 8.2                              | 5               | 7                                 | 50                                | 1.00 | 0.1                             | 6.2 | 0805                |
| BZY55B9V1   | 500            | 2         | 9.1                              | 5               | 10                                | 50                                | 1.00 | 0.1                             | 6.8 | 0805                |
| BZY55B10    | 500            | 2         | 10.0                             | 5               | 15                                | 70                                | 1.00 | 0.1                             | 7.5 | 0805                |
| BZY55B11    | 500            | 2         | 11.0                             | 5               | 20                                | 70                                | 1.00 | 0.1                             | 8.2 | 0805                |
| BZY55B12    | 500            | 2         | 12.0                             | 5               | 20                                | 90                                | 1.00 | 0.1                             | 9.1 | 0805                |
| BZY55B13    | 500            | 2         | 13.0                             | 5               | 26                                | 110                               | 1.00 | 0.1                             | 10  | 0805                |
| BZY55B15    | 500            | 2         | 15.0                             | 5               | 30                                | 110                               | 1.00 | 0.1                             | 11  | 0805                |
| BZY55B16    | 500            | 2         | 16.0                             | 5               | 40                                | 170                               | 1.00 | 0.1                             | 12  | 0805                |
| BZY55B18    | 500            | 2         | 18.0                             | 5               | 50                                | 170                               | 1.00 | 0.1                             | 13  | 0805                |
| BZY55B20    | 500            | 2         | 20.0                             | 5               | 55                                | 220                               | 1.00 | 0.1                             | 15  | 0805                |
| BZY55B22    | 500            | 2         | 22.0                             | 5               | 55                                | 220                               | 1.00 | 0.1                             | 16  | 0805                |
| BZY55B24    | 500            | 2         | 24.0                             | 5               | 80                                | 220                               | 1.00 | 0.1                             | 18  | 0805                |
| BZY55B27    | 500            | 2         | 27.0                             | 5               | 80                                | 220                               | 1.00 | 0.1                             | 20  | 0805                |
| BZY55B30    | 500            | 2         | 30.0                             | 5               | 80                                | 220                               | 1.00 | 0.1                             | 22  | 0805                |
| BZY55B33    | 500            | 2         | 33.0                             | 5               | 80                                | 220                               | 1.00 | 0.1                             | 24  | 0805                |
| BZY55B36    | 500            | 2         | 36.0                             | 5               | 80                                | 220                               | 1.00 | 0.1                             | 27  | 0805                |
| BZY55C2V4   | 500            | 5         | 2.4                              | 5               | 85                                | 600                               | 1.00 | 50                              | 1   | 0805                |
| BZY55C2V7   | 500            | 5         | 2.7                              | 5               | 85                                | 600                               | 1.00 | 10                              | 1   | 0805                |
| BZY55C3V0   | 500            | 5         | 3.0                              | 5               | 85                                | 600                               | 1.00 | 4                               | 1   | 0805                |
| BZY55C3V3   | 500            | 5         | 3.3                              | 5               | 85                                | 600                               | 1.00 | 2                               | 1   | 0805                |
| BZY55C3V6   | 500            | 5         | 3.6                              | 5               | 85                                | 600                               | 1.00 | 2                               | 1   | 0805                |
| BZY55C3V9   | 500            | 5         | 3.9                              | 5               | 85                                | 600                               | 1.00 | 2                               | 1   | 0805                |
| BZY55C4V3   | 500            | 5         | 4.3                              | 5               | 80                                | 600                               | 1.00 | 1                               | 1   | 0805                |
| BZY55C4V7   | 500            | 5         | 4.7                              | 5               | 70                                | 600                               | 1.00 | 0.5                             | 1   | 0805                |
| BZY55C5V1   | 500            | 5         | 5.1                              | 5               | 50                                | 550                               | 1.00 | 0.1                             | 1   | 0805                |
| BZY55C5V6   | 500            | 5         | 5.6                              | 5               | 30                                | 450                               | 1.00 | 0.1                             | 1   | 0805                |
| BZY55C6V2   | 500            | 5         | 6.2                              | 5               | 10                                | 200                               | 1.00 | 0.1                             | 2   | 0805                |
| BZY55C6V8   | 500            | 5         | 6.8                              | 5               | 8                                 | 150                               | 1.00 | 0.1                             | 3   | 0805                |
| BZY55C7V5   | 500            | 5         | 7.5                              | 5               | 7                                 | 50                                | 1.00 | 0.1                             | 5   | 0805                |
| BZY55C8V2   | 500            | 5         | 8.2                              | 5               | 7                                 | 50                                | 1.00 | 0.1                             | 6.2 | 0805                |
| BZY55C9V1   | 500            | 5         | 9.1                              | 5               | 10                                | 50                                | 1.00 | 0.1                             | 6.8 | 0805                |
| BZY55C10    | 500            | 5         | 10.0                             | 5               | 15                                | 70                                | 1.00 | 0.1                             | 7.5 | 0805                |
| BZY55C11    | 500            | 5         | 11.0                             | 5               | 20                                | 70                                | 1.00 | 0.1                             | 8.2 | 0805                |
| BZY55C12    | 500            | 5         | 12.0                             | 5               | 20                                | 90                                | 1.00 | 0.1                             | 9.1 | 0805                |
| BZY55C13    | 500            | 5         | 13.0                             | 5               | 26                                | 110                               | 1.00 | 0.1                             | 10  | 0805                |
| BZY55C15    | 500            | 5         | 15.0                             | 5               | 30                                | 110                               | 1.00 | 0.1                             | 11  | 0805                |
| BZY55C16    | 500            | 5         | 16.0                             | 5               | 40                                | 170                               | 1.00 | 0.1                             | 12  | 0805                |

## DIODES - ZENER

| Part Number | P <sub>D</sub> | Tolerance | V <sub>Z</sub> @ I <sub>ZT</sub> | I <sub>ZT</sub> | Z <sub>ZT</sub> @ I <sub>ZT</sub> | Z <sub>ZK</sub> @ I <sub>ZK</sub> |      | I <sub>R</sub> @ V <sub>R</sub> |     | Package Description |
|-------------|----------------|-----------|----------------------------------|-----------------|-----------------------------------|-----------------------------------|------|---------------------------------|-----|---------------------|
|             | (mW)           | +/- (%)   | (V)                              | (mA)            | (Ω)                               | (Ω)                               | (mA) | (μA)                            | (V) |                     |
| BZY55C18    | 500            | 5         | 18.0                             | 5               | 50                                | 170                               | 1.00 | 0.1                             | 13  | 0805                |
| BZY55C20    | 500            | 5         | 20.0                             | 5               | 55                                | 220                               | 1.00 | 0.1                             | 15  | 0805                |
| BZY55C22    | 500            | 5         | 22.0                             | 5               | 55                                | 220                               | 1.00 | 0.1                             | 16  | 0805                |
| BZY55C24    | 500            | 5         | 24.0                             | 5               | 80                                | 220                               | 1.00 | 0.1                             | 18  | 0805                |
| BZY55C27    | 500            | 5         | 27.0                             | 5               | 80                                | 220                               | 1.00 | 0.1                             | 20  | 0805                |
| BZY55C30    | 500            | 5         | 30.0                             | 5               | 80                                | 220                               | 1.00 | 0.1                             | 22  | 0805                |
| BZY55C33    | 500            | 5         | 33.0                             | 5               | 80                                | 220                               | 1.00 | 0.1                             | 24  | 0805                |
| BZY55C36    | 500            | 5         | 36.0                             | 5               | 80                                | 220                               | 1.00 | 0.1                             | 27  | 0805                |
| BZS55B2V4   | 500            | 2         | 2.4                              | 5               | 85                                | 600                               | 1.00 | 50                              | 1   | 1206                |
| BZS55B2V7   | 500            | 2         | 2.7                              | 5               | 85                                | 600                               | 1.00 | 10                              | 1   | 1206                |
| BZS55B3V0   | 500            | 2         | 3.0                              | 5               | 85                                | 600                               | 1.00 | 4                               | 1   | 1206                |
| BZS55B3V3   | 500            | 2         | 3.3                              | 5               | 85                                | 600                               | 1.00 | 2                               | 1   | 1206                |
| BZS55B3V6   | 500            | 2         | 3.6                              | 5               | 85                                | 600                               | 1.00 | 2                               | 1   | 1206                |
| BZS55B3V9   | 500            | 2         | 3.9                              | 5               | 85                                | 600                               | 1.00 | 2                               | 1   | 1206                |
| BZS55B4V3   | 500            | 2         | 4.3                              | 5               | 80                                | 600                               | 1.00 | 1                               | 1   | 1206                |
| BZS55B4V7   | 500            | 2         | 4.7                              | 5               | 70                                | 600                               | 1.00 | 0.5                             | 1   | 1206                |
| BZS55B5V1   | 500            | 2         | 5.1                              | 5               | 50                                | 550                               | 1.00 | 0.1                             | 1   | 1206                |
| BZS55B5V6   | 500            | 2         | 5.6                              | 5               | 30                                | 450                               | 1.00 | 0.1                             | 1   | 1206                |
| BZS55B6V2   | 500            | 2         | 6.2                              | 5               | 10                                | 200                               | 1.00 | 0.1                             | 2   | 1206                |
| BZS55B6V8   | 500            | 2         | 6.8                              | 5               | 8                                 | 150                               | 1.00 | 0.1                             | 3   | 1206                |
| BZS55B7V5   | 500            | 2         | 7.5                              | 5               | 7                                 | 50                                | 1.00 | 0.1                             | 5   | 1206                |
| BZS55B8V2   | 500            | 2         | 8.2                              | 5               | 7                                 | 50                                | 1.00 | 0.1                             | 6.2 | 1206                |
| BZS55B9V1   | 500            | 2         | 9.1                              | 5               | 10                                | 50                                | 1.00 | 0.1                             | 6.8 | 1206                |
| BZS55B10    | 500            | 2         | 10.0                             | 5               | 15                                | 70                                | 1.00 | 0.1                             | 7.5 | 1206                |
| BZS55B11    | 500            | 2         | 11.0                             | 5               | 20                                | 70                                | 1.00 | 0.1                             | 8.2 | 1206                |
| BZS55B12    | 500            | 2         | 12.0                             | 5               | 20                                | 90                                | 1.00 | 0.1                             | 9.1 | 1206                |
| BZS55B13    | 500            | 2         | 13.0                             | 5               | 26                                | 110                               | 1.00 | 0.1                             | 10  | 1206                |
| BZS55B15    | 500            | 2         | 15.0                             | 5               | 30                                | 110                               | 1.00 | 0.1                             | 11  | 1206                |
| BZS55B16    | 500            | 2         | 16.0                             | 5               | 40                                | 170                               | 1.00 | 0.1                             | 12  | 1206                |
| BZS55B18    | 500            | 2         | 18.0                             | 5               | 50                                | 170                               | 1.00 | 0.1                             | 13  | 1206                |
| BZS55B20    | 500            | 2         | 20.0                             | 5               | 55                                | 220                               | 1.00 | 0.1                             | 15  | 1206                |
| BZS55B22    | 500            | 2         | 22.0                             | 5               | 55                                | 220                               | 1.00 | 0.1                             | 16  | 1206                |
| BZS55B24    | 500            | 2         | 24.0                             | 5               | 80                                | 220                               | 1.00 | 0.1                             | 18  | 1206                |
| BZS55B27    | 500            | 2         | 27.0                             | 5               | 80                                | 220                               | 1.00 | 0.1                             | 20  | 1206                |
| BZS55B30    | 500            | 2         | 30.0                             | 5               | 80                                | 220                               | 1.00 | 0.1                             | 22  | 1206                |
| BZS55B33    | 500            | 2         | 33.0                             | 5               | 80                                | 220                               | 1.00 | 0.1                             | 24  | 1206                |
| BZS55B36    | 500            | 2         | 36.0                             | 5               | 80                                | 220                               | 1.00 | 0.1                             | 27  | 1206                |
| BZS55C2V4   | 500            | 5         | 2.4                              | 5               | 85                                | 600                               | 1.00 | 50                              | 1   | 1206                |
| BZS55C2V7   | 500            | 5         | 2.7                              | 5               | 85                                | 600                               | 1.00 | 10                              | 1   | 1206                |
| BZS55C3V0   | 500            | 5         | 3.0                              | 5               | 85                                | 600                               | 1.00 | 4                               | 1   | 1206                |
| BZS55C3V3   | 500            | 5         | 3.3                              | 5               | 85                                | 600                               | 1.00 | 2                               | 1   | 1206                |
| BZS55C3V6   | 500            | 5         | 3.6                              | 5               | 85                                | 600                               | 1.00 | 2                               | 1   | 1206                |
| BZS55C3V9   | 500            | 5         | 3.9                              | 5               | 85                                | 600                               | 1.00 | 2                               | 1   | 1206                |
| BZS55C4V3   | 500            | 5         | 4.3                              | 5               | 80                                | 600                               | 1.00 | 1                               | 1   | 1206                |
| BZS55C4V7   | 500            | 5         | 4.7                              | 5               | 70                                | 600                               | 1.00 | 0.5                             | 1   | 1206                |
| BZS55C5V1   | 500            | 5         | 5.1                              | 5               | 50                                | 550                               | 1.00 | 0.1                             | 1   | 1206                |
| BZS55C5V6   | 500            | 5         | 5.6                              | 5               | 30                                | 450                               | 1.00 | 0.1                             | 1   | 1206                |
| BZS55C6V2   | 500            | 5         | 6.2                              | 5               | 10                                | 200                               | 1.00 | 0.1                             | 2   | 1206                |
| BZS55C6V8   | 500            | 5         | 6.8                              | 5               | 8                                 | 150                               | 1.00 | 0.1                             | 3   | 1206                |
| BZS55C7V5   | 500            | 5         | 7.5                              | 5               | 7                                 | 50                                | 1.00 | 0.1                             | 5   | 1206                |
| BZS55C8V2   | 500            | 5         | 8.2                              | 5               | 7                                 | 50                                | 1.00 | 0.1                             | 6.2 | 1206                |
| BZS55C9V1   | 500            | 5         | 9.1                              | 5               | 10                                | 50                                | 1.00 | 0.1                             | 6.8 | 1206                |
| BZS55C10    | 500            | 5         | 10.0                             | 5               | 15                                | 70                                | 1.00 | 0.1                             | 7.5 | 1206                |
| BZS55C11    | 500            | 5         | 11.0                             | 5               | 20                                | 70                                | 1.00 | 0.1                             | 8.2 | 1206                |
| BZS55C12    | 500            | 5         | 12.0                             | 5               | 20                                | 90                                | 1.00 | 0.1                             | 9.1 | 1206                |
| BZS55C13    | 500            | 5         | 13.0                             | 5               | 26                                | 110                               | 1.00 | 0.1                             | 10  | 1206                |
| BZS55C15    | 500            | 5         | 15.0                             | 5               | 30                                | 110                               | 1.00 | 0.1                             | 11  | 1206                |
| BZS55C16    | 500            | 5         | 16.0                             | 5               | 40                                | 170                               | 1.00 | 0.1                             | 12  | 1206                |

## DIODES - ZENER

| Part Number | P <sub>D</sub> | Tolerance | V <sub>Z</sub> @ I <sub>ZT</sub> | I <sub>ZT</sub> | Z <sub>ZT</sub> @ I <sub>ZT</sub> | Z <sub>ZK</sub> @ I <sub>ZK</sub> |      | I <sub>R</sub> @ V <sub>R</sub> |      | Package     |
|-------------|----------------|-----------|----------------------------------|-----------------|-----------------------------------|-----------------------------------|------|---------------------------------|------|-------------|
|             | (mW)           | +/- (%)   | (V)                              | (mA)            | (Ω)                               | (Ω)                               | (mA) | (μA)                            | (V)  | Description |
| BZS55C6V2   | 500            | 5         | 6.2                              | 5               | 10                                | 200                               | 1.00 | 0.1                             | 2    | 1206        |
| BZS55C6V8   | 500            | 5         | 6.8                              | 5               | 8                                 | 150                               | 1.00 | 0.1                             | 3    | 1206        |
| BZS55C7V5   | 500            | 5         | 7.5                              | 5               | 7                                 | 50                                | 1.00 | 0.1                             | 5    | 1206        |
| BZS55C8V2   | 500            | 5         | 8.2                              | 5               | 7                                 | 50                                | 1.00 | 0.1                             | 6.2  | 1206        |
| BZS55C9V1   | 500            | 5         | 9.1                              | 5               | 10                                | 50                                | 1.00 | 0.1                             | 6.8  | 1206        |
| BZS55C10    | 500            | 5         | 10.0                             | 5               | 15                                | 70                                | 1.00 | 0.1                             | 7.5  | 1206        |
| BZS55C11    | 500            | 5         | 11.0                             | 5               | 20                                | 70                                | 1.00 | 0.1                             | 8.2  | 1206        |
| BZS55C12    | 500            | 5         | 12.0                             | 5               | 20                                | 90                                | 1.00 | 0.1                             | 9.1  | 1206        |
| BZS55C13    | 500            | 5         | 13.0                             | 5               | 26                                | 110                               | 1.00 | 0.1                             | 10   | 1206        |
| BZS55C15    | 500            | 5         | 15.0                             | 5               | 30                                | 110                               | 1.00 | 0.1                             | 11   | 1206        |
| BZS55C16    | 500            | 5         | 16.0                             | 5               | 40                                | 170                               | 1.00 | 0.1                             | 12   | 1206        |
| BZS55C18    | 500            | 5         | 18.0                             | 5               | 50                                | 170                               | 1.00 | 0.1                             | 13   | 1206        |
| BZS55C20    | 500            | 5         | 20.0                             | 5               | 55                                | 220                               | 1.00 | 0.1                             | 15   | 1206        |
| BZS55C22    | 500            | 5         | 22.0                             | 5               | 55                                | 220                               | 1.00 | 0.1                             | 16   | 1206        |
| BZS55C24    | 500            | 5         | 24.0                             | 5               | 80                                | 220                               | 1.00 | 0.1                             | 18   | 1206        |
| BZS55C27    | 500            | 5         | 27.0                             | 5               | 80                                | 220                               | 1.00 | 0.1                             | 20   | 1206        |
| BZS55C30    | 500            | 5         | 30.0                             | 5               | 80                                | 220                               | 1.00 | 0.1                             | 22   | 1206        |
| BZS55C33    | 500            | 5         | 33.0                             | 5               | 80                                | 220                               | 1.00 | 0.1                             | 24   | 1206        |
| BZS55C36    | 500            | 5         | 36.0                             | 5               | 80                                | 220                               | 1.00 | 0.1                             | 27   | 1206        |
| BZT52B10    | 500            | 2         | 10.0                             | 5               | 20                                | 141                               | 1.00 | 0.18                            | 7    | SOD-123F    |
| BZT52B11    | 500            | 2         | 11.0                             | 5               | 20                                | 141                               | 1.00 | 0.09                            | 8    | SOD-123F    |
| BZT52B12    | 500            | 2         | 12.0                             | 5               | 25                                | 141                               | 1.00 | 0.09                            | 8    | SOD-123F    |
| BZT52B13    | 500            | 2         | 13.0                             | 5               | 30                                | 160                               | 1.00 | 0.09                            | 8    | SOD-123F    |
| BZT52B15    | 500            | 2         | 15.0                             | 5               | 30                                | 188                               | 1.00 | 0.045                           | 10.5 | SOD-123F    |
| BZT52B16    | 500            | 2         | 16.0                             | 5               | 40                                | 188                               | 1.00 | 0.045                           | 11.2 | SOD-123F    |
| BZT52B18    | 500            | 2         | 18.0                             | 5               | 45                                | 212                               | 1.00 | 0.045                           | 12.6 | SOD-123F    |
| BZT52B20    | 500            | 2         | 20.0                             | 5               | 55                                | 212                               | 1.00 | 0.045                           | 14   | SOD-123F    |
| BZT52B22    | 500            | 2         | 22.0                             | 5               | 55                                | 235                               | 1.00 | 0.045                           | 15.4 | SOD-123F    |
| BZT52B24    | 500            | 2         | 24.0                             | 5               | 70                                | 235                               | 1.00 | 0.045                           | 16.8 | SOD-123F    |
| BZT52B27    | 500            | 2         | 27.0                             | 2               | 80                                | 282                               | 0.50 | 0.045                           | 18.9 | SOD-123F    |
| BZT52B2V4   | 500            | 2         | 2.4                              | 5               | 100                               | 564                               | 1.00 | 45                              | 1    | SOD-123F    |
| BZT52B2V7   | 500            | 2         | 2.7                              | 5               | 100                               | 564                               | 1.00 | 18                              | 1    | SOD-123F    |
| BZT52B30    | 500            | 2         | 30.0                             | 2               | 80                                | 282                               | 0.50 | 0.045                           | 21   | SOD-123F    |
| BZT52B33    | 500            | 2         | 33.0                             | 2               | 80                                | 306                               | 0.50 | 0.045                           | 23   | SOD-123F    |
| BZT52B36    | 500            | 2         | 36.0                             | 2               | 90                                | 329                               | 0.50 | 0.045                           | 25.2 | SOD-123F    |
| BZT52B39    | 500            | 2         | 39.0                             | 2               | 130                               | 329                               | 0.50 | 0.045                           | 27.3 | SOD-123F    |
| BZT52B3V0   | 500            | 2         | 3.0                              | 5               | 100                               | 564                               | 1.00 | 9                               | 1    | SOD-123F    |
| BZT52B3V3   | 500            | 2         | 3.3                              | 5               | 95                                | 564                               | 1.00 | 4.5                             | 1    | SOD-123F    |
| BZT52B3V6   | 500            | 2         | 3.6                              | 5               | 90                                | 564                               | 1.00 | 4.5                             | 1    | SOD-123F    |
| BZT52B3V9   | 500            | 2         | 3.9                              | 5               | 90                                | 564                               | 1.00 | 2.7                             | 1    | SOD-123F    |
| BZT52B43    | 500            | 2         | 43.0                             | 2               | 150                               | 353                               | 0.50 | 0.045                           | 30.1 | SOD-123F    |
| BZT52B47    | 500            | 2         | 47.0                             | 2               | 170                               | 353                               | 0.50 | 0.045                           | 33   | SOD-123F    |
| BZT52B4V3   | 500            | 2         | 4.3                              | 5               | 90                                | 564                               | 1.00 | 2.7                             | 1    | SOD-123F    |
| BZT52B4V7   | 500            | 2         | 4.7                              | 5               | 80                                | 470                               | 1.00 | 2.7                             | 2    | SOD-123F    |
| BZT52B51    | 500            | 2         | 51.0                             | 2               | 180                               | 376                               | 0.50 | 0.045                           | 35.7 | SOD-123F    |
| BZT52B56    | 500            | 2         | 56.0                             | 2               | 200                               | 400                               | 0.50 | 0.045                           | 39.2 | SOD-123F    |
| BZT52B5V1   | 500            | 2         | 5.1                              | 5               | 60                                | 451                               | 1.00 | 1.8                             | 2    | SOD-123F    |

## DIODES - ZENER

| Part Number | P <sub>D</sub> | Tolerance | V <sub>Z</sub> @ I <sub>ZT</sub> | I <sub>ZT</sub> | Z <sub>ZT</sub> @ I <sub>ZT</sub> | Z <sub>ZK</sub> @ I <sub>ZK</sub> |      | I <sub>R</sub> @ V <sub>R</sub> |      | Package     |
|-------------|----------------|-----------|----------------------------------|-----------------|-----------------------------------|-----------------------------------|------|---------------------------------|------|-------------|
|             | (mW)           | +/- (%)   | (V)                              | (mA)            | (Ω)                               | (Ω)                               | (mA) | (μA)                            | (V)  | Description |
| BZT52B5V6   | 500            | 2         | 5.6                              | 5               | 40                                | 376                               | 1.00 | 0.9                             | 2    | SOD-123F    |
| BZT52B62    | 500            | 2         | 62.0                             | 2               | 215                               | 423                               | 0.50 | 0.045                           | 43.4 | SOD-123F    |
| BZT52B68    | 500            | 2         | 68.0                             | 2               | 240                               | 447                               | 0.50 | 0.045                           | 47.6 | SOD-123F    |
| BZT52B6V2   | 500            | 2         | 6.2                              | 5               | 10                                | 141                               | 1.00 | 2.7                             | 4    | SOD-123F    |
| BZT52B6V8   | 500            | 2         | 6.8                              | 5               | 15                                | 75                                | 1.00 | 1.8                             | 4    | SOD-123F    |
| BZT52B75    | 500            | 2         | 75.0                             | 2               | 255                               | 470                               | 0.50 | 0.045                           | 52.5 | SOD-123F    |
| BZT52B7V5   | 500            | 2         | 7.5                              | 5               | 15                                | 75                                | 1.00 | 0.9                             | 5    | SOD-123F    |
| BZT52B8V2   | 500            | 2         | 8.2                              | 5               | 15                                | 75                                | 1.00 | 0.63                            | 5    | SOD-123F    |
| BZT52B9V1   | 500            | 2         | 9.1                              | 5               | 15                                | 94                                | 1.00 | 0.45                            | 6    | SOD-123F    |
| BZT52C10    | 500            | 5         | 10.0                             | 5               | 20                                | 141                               | 1.00 | 0.18                            | 7    | SOD-123F    |
| BZT52C11    | 500            | 5         | 11.0                             | 5               | 20                                | 141                               | 1.00 | 0.09                            | 8    | SOD-123F    |
| BZT52C12    | 500            | 5         | 12.0                             | 5               | 25                                | 141                               | 1.00 | 0.09                            | 8    | SOD-123F    |
| BZT52C13    | 500            | 5         | 13.0                             | 5               | 30                                | 160                               | 1.00 | 0.09                            | 8    | SOD-123F    |
| BZT52C15    | 500            | 5         | 15.0                             | 5               | 30                                | 188                               | 1.00 | 0.045                           | 10.5 | SOD-123F    |
| BZT52C16    | 500            | 5         | 16.0                             | 5               | 40                                | 188                               | 1.00 | 0.045                           | 11.2 | SOD-123F    |
| BZT52C18    | 500            | 5         | 18.0                             | 5               | 45                                | 212                               | 1.00 | 0.045                           | 12.6 | SOD-123F    |
| BZT52C20    | 500            | 5         | 20.0                             | 5               | 55                                | 212                               | 1.00 | 0.045                           | 14   | SOD-123F    |
| BZT52C22    | 500            | 5         | 22.0                             | 5               | 55                                | 235                               | 1.00 | 0.045                           | 15.4 | SOD-123F    |
| BZT52C24    | 500            | 5         | 24.0                             | 5               | 70                                | 235                               | 1.00 | 0.045                           | 16.8 | SOD-123F    |
| BZT52C27    | 500            | 5         | 27.0                             | 2               | 80                                | 282                               | 0.50 | 0.045                           | 18.9 | SOD-123F    |
| BZT52C2V4   | 500            | 5         | 2.4                              | 5               | 100                               | 564                               | 1.00 | 45                              | 1    | SOD-123F    |
| BZT52C2V7   | 500            | 5         | 2.7                              | 5               | 100                               | 564                               | 1.00 | 18                              | 1    | SOD-123F    |
| BZT52C30    | 500            | 5         | 30.0                             | 2               | 80                                | 282                               | 0.50 | 0.045                           | 21   | SOD-123F    |
| BZT52C33    | 500            | 5         | 33.0                             | 2               | 80                                | 306                               | 0.50 | 0.045                           | 23   | SOD-123F    |
| BZT52C36    | 500            | 5         | 36.0                             | 2               | 90                                | 329                               | 0.50 | 0.045                           | 25.2 | SOD-123F    |
| BZT52C39    | 500            | 5         | 39.0                             | 2               | 130                               | 329                               | 0.50 | 0.045                           | 27.3 | SOD-123F    |
| BZT52C3V0   | 500            | 5         | 3.0                              | 5               | 100                               | 564                               | 1.00 | 9                               | 1    | SOD-123F    |
| BZT52C3V3   | 500            | 5         | 3.3                              | 5               | 95                                | 564                               | 1.00 | 4.5                             | 1    | SOD-123F    |
| BZT52C3V6   | 500            | 5         | 3.6                              | 5               | 90                                | 564                               | 1.00 | 4.5                             | 1    | SOD-123F    |
| BZT52C3V9   | 500            | 5         | 3.9                              | 5               | 90                                | 564                               | 1.00 | 2.7                             | 1    | SOD-123F    |
| BZT52C43    | 500            | 5         | 43.0                             | 2               | 150                               | 353                               | 0.50 | 0.045                           | 30.1 | SOD-123F    |
| BZT52C47    | 500            | 5         | 47.0                             | 2               | 170                               | 353                               | 0.50 | 0.045                           | 33   | SOD-123F    |
| BZT52C4V3   | 500            | 5         | 4.3                              | 5               | 90                                | 564                               | 1.00 | 2.7                             | 1    | SOD-123F    |
| BZT52C4V7   | 500            | 5         | 4.7                              | 5               | 80                                | 470                               | 1.00 | 2.7                             | 2    | SOD-123F    |
| BZT52C51    | 500            | 5         | 51.0                             | 2               | 180                               | 376                               | 0.50 | 0.045                           | 35.7 | SOD-123F    |
| BZT52C56    | 500            | 5         | 56.0                             | 2               | 200                               | 400                               | 0.50 | 0.045                           | 39.2 | SOD-123F    |
| BZT52C5V1   | 500            | 5         | 5.1                              | 5               | 60                                | 451                               | 1.00 | 1.8                             | 2    | SOD-123F    |
| BZT52C5V6   | 500            | 5         | 5.6                              | 5               | 40                                | 376                               | 1.00 | 0.9                             | 2    | SOD-123F    |
| BZT52C62    | 500            | 5         | 62.0                             | 2               | 215                               | 423                               | 0.50 | 0.045                           | 43.4 | SOD-123F    |
| BZT52C68    | 500            | 5         | 68.0                             | 2               | 240                               | 447                               | 0.50 | 0.045                           | 47.6 | SOD-123F    |
| BZT52C6V2   | 500            | 5         | 6.2                              | 5               | 10                                | 141                               | 1.00 | 2.7                             | 4    | SOD-123F    |
| BZT52C6V8   | 500            | 5         | 6.8                              | 5               | 15                                | 75                                | 1.00 | 1.8                             | 4    | SOD-123F    |
| BZT52C75    | 500            | 5         | 75.0                             | 2               | 255                               | 470                               | 0.50 | 0.045                           | 52.5 | SOD-123F    |
| BZT52C7V5   | 500            | 5         | 7.5                              | 5               | 15                                | 75                                | 1.00 | 0.9                             | 5    | SOD-123F    |
| BZT52C8V2   | 500            | 5         | 8.2                              | 5               | 15                                | 75                                | 1.00 | 0.63                            | 5    | SOD-123F    |
| BZT52C9V1   | 500            | 5         | 9.1                              | 5               | 15                                | 94                                | 1.00 | 0.45                            | 6    | SOD-123F    |
| MMSZ5221B   | 500            | 5         | 2.4                              | 20              | 30                                | 1200                              | 0.25 | 100                             | 1    | SOD-123F    |



## DIODES - ZENER

| Part Number | P <sub>D</sub> | Tolerance | V <sub>Z</sub> @ I <sub>ZT</sub> | I <sub>ZT</sub> | Z <sub>ZT</sub> @ I <sub>ZT</sub> | Z <sub>ZK</sub> @ I <sub>ZK</sub> |      | I <sub>R</sub> @ V <sub>R</sub> |     | Package     |
|-------------|----------------|-----------|----------------------------------|-----------------|-----------------------------------|-----------------------------------|------|---------------------------------|-----|-------------|
|             | (mW)           | +/- (%)   | (V)                              | (mA)            | (Ω)                               | (Ω)                               | (mA) | (μA)                            | (V) | Description |
| MMSZ5222B   | 500            | 5         | 2.5                              | 20              | 30                                | 1250                              | 0.25 | 100                             | 1   | SOD-123F    |
| MMSZ5223B   | 500            | 5         | 2.7                              | 20              | 30                                | 1300                              | 0.25 | 75                              | 1   | SOD-123F    |
| MMSZ5224B   | 500            | 5         | 2.8                              | 20              | 30                                | 1400                              | 0.25 | 75                              | 1   | SOD-123F    |
| MMSZ5225B   | 500            | 5         | 3.0                              | 20              | 29                                | 1600                              | 0.25 | 50                              | 1   | SOD-123F    |
| MMSZ5226B   | 500            | 5         | 3.3                              | 20              | 28                                | 1600                              | 0.25 | 25                              | 1   | SOD-123F    |
| MMSZ5227B   | 500            | 5         | 3.6                              | 20              | 24                                | 1700                              | 0.25 | 15                              | 1   | SOD-123F    |
| MMSZ5228B   | 500            | 5         | 3.9                              | 20              | 23                                | 1900                              | 0.25 | 10                              | 1   | SOD-123F    |
| MMSZ5229B   | 500            | 5         | 4.3                              | 20              | 22                                | 2000                              | 0.25 | 5                               | 1   | SOD-123F    |
| MMSZ5230B   | 500            | 5         | 4.7                              | 20              | 19                                | 1900                              | 0.25 | 5                               | 2   | SOD-123F    |
| MMSZ5231B   | 500            | 5         | 5.1                              | 20              | 17                                | 1600                              | 0.25 | 5                               | 2   | SOD-123F    |
| MMSZ5232B   | 500            | 5         | 5.6                              | 20              | 11                                | 1600                              | 0.25 | 5                               | 3   | SOD-123F    |
| MMSZ5233B   | 500            | 5         | 6.0                              | 20              | 7                                 | 1600                              | 0.25 | 5                               | 3.5 | SOD-123F    |
| MMSZ5234B   | 500            | 5         | 6.2                              | 20              | 7                                 | 1000                              | 0.25 | 5                               | 4   | SOD-123F    |
| MMSZ5235B   | 500            | 5         | 6.8                              | 20              | 5                                 | 750                               | 0.25 | 3                               | 5   | SOD-123F    |
| MMSZ5236B   | 500            | 5         | 7.5                              | 20              | 6                                 | 500                               | 0.25 | 3                               | 6   | SOD-123F    |
| MMSZ5237B   | 500            | 5         | 8.2                              | 20              | 8                                 | 500                               | 0.25 | 3                               | 6.5 | SOD-123F    |
| MMSZ5238B   | 500            | 5         | 8.7                              | 20              | 8                                 | 600                               | 0.25 | 3                               | 6.5 | SOD-123F    |
| MMSZ5239B   | 500            | 5         | 9.1                              | 20              | 10                                | 600                               | 0.25 | 3                               | 7   | SOD-123F    |
| MMSZ5240B   | 500            | 5         | 10.0                             | 20              | 17                                | 600                               | 0.25 | 3                               | 8   | SOD-123F    |
| MMSZ5241B   | 500            | 5         | 11.0                             | 20              | 22                                | 600                               | 0.25 | 2                               | 8.4 | SOD-123F    |
| MMSZ5242B   | 500            | 5         | 12.0                             | 20              | 30                                | 600                               | 0.25 | 1                               | 9.1 | SOD-123F    |
| MMSZ5243B   | 500            | 5         | 13.0                             | 9.5             | 13                                | 600                               | 0.25 | 0.5                             | 9.9 | SOD-123F    |
| MMSZ5244B   | 500            | 5         | 14.0                             | 9               | 15                                | 600                               | 0.25 | 0.1                             | 10  | SOD-123F    |
| MMSZ5245B   | 500            | 5         | 15.0                             | 8.5             | 16                                | 600                               | 0.25 | 0.1                             | 11  | SOD-123F    |
| MMSZ5246B   | 500            | 5         | 16.0                             | 7.8             | 17                                | 600                               | 0.25 | 0.1                             | 12  | SOD-123F    |
| MMSZ5247B   | 500            | 5         | 17.0                             | 7.4             | 19                                | 600                               | 0.25 | 0.1                             | 13  | SOD-123F    |
| MMSZ5248B   | 500            | 5         | 18.0                             | 7               | 21                                | 600                               | 0.25 | 0.1                             | 14  | SOD-123F    |
| MMSZ5249B   | 500            | 5         | 19.0                             | 6.6             | 23                                | 600                               | 0.25 | 0.1                             | 14  | SOD-123F    |
| MMSZ5250B   | 500            | 5         | 20.0                             | 6.2             | 25                                | 600                               | 0.25 | 0.1                             | 15  | SOD-123F    |
| MMSZ5251B   | 500            | 5         | 22.0                             | 5.6             | 29                                | 600                               | 0.25 | 0.1                             | 17  | SOD-123F    |
| MMSZ5252B   | 500            | 5         | 24.0                             | 5.2             | 33                                | 600                               | 0.25 | 0.1                             | 18  | SOD-123F    |
| MMSZ5253B   | 500            | 5         | 25.0                             | 5               | 35                                | 600                               | 0.25 | 0.1                             | 19  | SOD-123F    |
| MMSZ5254B   | 500            | 5         | 27.0                             | 4.6             | 41                                | 600                               | 0.25 | 0.1                             | 21  | SOD-123F    |
| MMSZ5255B   | 500            | 5         | 28.0                             | 4.5             | 44                                | 600                               | 0.25 | 0.1                             | 21  | SOD-123F    |
| MMSZ5256B   | 500            | 5         | 30.0                             | 4.2             | 49                                | 600                               | 0.25 | 0.1                             | 23  | SOD-123F    |
| MMSZ5257B   | 500            | 5         | 33.0                             | 3.8             | 58                                | 700                               | 0.25 | 0.1                             | 25  | SOD-123F    |
| MMSZ5258B   | 500            | 5         | 36.0                             | 3.4             | 70                                | 700                               | 0.25 | 0.1                             | 27  | SOD-123F    |
| MMSZ5259B   | 500            | 5         | 39.0                             | 3.2             | 80                                | 800                               | 0.25 | 0.1                             | 30  | SOD-123F    |
| MMSZ5260B   | 500            | 5         | 43.0                             | 3               | 93                                | 900                               | 0.25 | 0.1                             | 33  | SOD-123F    |
| MMSZ5261B   | 500            | 5         | 47.0                             | 2.7             | 105                               | 1000                              | 0.25 | 0.1                             | 36  | SOD-123F    |
| MMSZ5262B   | 500            | 5         | 51.0                             | 2.5             | 125                               | 1100                              | 0.25 | 0.1                             | 39  | SOD-123F    |
| MMSZ5263B   | 500            | 5         | 56.0                             | 2.2             | 150                               | 1300                              | 0.25 | 0.1                             | 43  | SOD-123F    |
| LLZ5221B    | 500            | 5         | 2.4                              | 20              | 30                                | 1200                              | 0.25 | 100                             | 1   | MMELF       |
| LLZ5222B    | 500            | 5         | 2.5                              | 20              | 30                                | 1250                              | 0.25 | 100                             | 1   | MMELF       |
| LLZ5223B    | 500            | 5         | 2.7                              | 20              | 30                                | 1300                              | 0.25 | 75                              | 1   | MMELF       |
| LLZ5224B    | 500            | 5         | 2.8                              | 20              | 30                                | 1400                              | 0.25 | 75                              | 1   | MMELF       |
| LLZ5225B    | 500            | 5         | 3.0                              | 20              | 30                                | 1600                              | 0.25 | 50                              | 1   | MMELF       |

## DIODES - ZENER

| Part Number | P <sub>D</sub> | Tolerance | V <sub>Z</sub> @ I <sub>ZT</sub> | I <sub>ZT</sub> | Z <sub>ZT</sub> @ I <sub>ZT</sub> | Z <sub>ZK</sub> @ I <sub>ZK</sub> |      | I <sub>R</sub> @ V <sub>R</sub> |     | Package     |
|-------------|----------------|-----------|----------------------------------|-----------------|-----------------------------------|-----------------------------------|------|---------------------------------|-----|-------------|
|             | (mW)           | +/- (%)   | (V)                              | (mA)            | (Ω)                               | (Ω)                               | (mA) | (μA)                            | (V) | Description |
| LLZ5226B    | 500            | 5         | 3.3                              | 20              | 28                                | 1600                              | 0.25 | 25                              | 1   | MMELF       |
| LLZ5227B    | 500            | 5         | 3.6                              | 20              | 24                                | 1700                              | 0.25 | 15                              | 1   | MMELF       |
| LLZ5228B    | 500            | 5         | 3.9                              | 20              | 23                                | 1900                              | 0.25 | 10                              | 1   | MMELF       |
| LLZ5229B    | 500            | 5         | 4.3                              | 20              | 22                                | 2000                              | 0.25 | 5                               | 1   | MMELF       |
| LLZ5230B    | 500            | 5         | 4.7                              | 20              | 19                                | 1900                              | 0.25 | 5                               | 2   | MMELF       |
| LLZ5231B    | 500            | 5         | 5.1                              | 20              | 17                                | 1600                              | 0.25 | 5                               | 2   | MMELF       |
| LLZ5232B    | 500            | 5         | 5.6                              | 20              | 11                                | 1600                              | 0.25 | 5                               | 3   | MMELF       |
| LLZ5233B    | 500            | 5         | 6.0                              | 20              | 7                                 | 16900                             | 0.25 | 5                               | 3.5 | MMELF       |
| LLZ5234B    | 500            | 5         | 6.2                              | 20              | 7                                 | 1000                              | 0.25 | 5                               | 4   | MMELF       |
| LLZ5235B    | 500            | 5         | 6.8                              | 20              | 5                                 | 750                               | 0.25 | 3                               | 5   | MMELF       |
| LLZ5236B    | 500            | 5         | 7.5                              | 20              | 6                                 | 500                               | 0.25 | 3                               | 6   | MMELF       |
| LLZ5237B    | 500            | 5         | 8.2                              | 20              | 8                                 | 500                               | 0.25 | 3                               | 6.5 | MMELF       |
| LLZ5238B    | 500            | 5         | 8.7                              | 20              | 8                                 | 600                               | 0.25 | 3                               | 6.5 | MMELF       |
| LLZ5239B    | 500            | 5         | 9.1                              | 20              | 10                                | 600                               | 0.25 | 3                               | 7   | MMELF       |
| LLZ5240B    | 500            | 5         | 10.0                             | 20              | 17                                | 600                               | 0.25 | 3                               | 8   | MMELF       |
| LLZ5241B    | 500            | 5         | 11.0                             | 20              | 22                                | 600                               | 0.25 | 2                               | 8.4 | MMELF       |
| LLZ5242B    | 500            | 5         | 12.0                             | 20              | 30                                | 600                               | 0.25 | 1                               | 9.1 | MMELF       |
| LLZ5243B    | 500            | 5         | 13.0                             | 9.5             | 13                                | 600                               | 0.25 | 0.5                             | 9.9 | MMELF       |
| LLZ5244B    | 500            | 5         | 14.0                             | 9               | 15                                | 600                               | 0.25 | 0.1                             | 10  | MMELF       |
| LLZ5245B    | 500            | 5         | 15.0                             | 8.5             | 16                                | 600                               | 0.25 | 0.1                             | 11  | MMELF       |
| LLZ5246B    | 500            | 5         | 16.0                             | 7.8             | 17                                | 600                               | 0.25 | 0.1                             | 12  | MMELF       |
| LLZ5247B    | 500            | 5         | 16.0                             | 7.4             | 19                                | 600                               | 0.25 | 0.1                             | 13  | MMELF       |
| LLZ5248B    | 500            | 5         | 18.0                             | 7               | 21                                | 600                               | 0.25 | 0.1                             | 14  | MMELF       |
| LLZ5249B    | 500            | 5         | 19.0                             | 6.6             | 23                                | 600                               | 0.25 | 0.1                             | 14  | MMELF       |
| LLZ5250B    | 500            | 5         | 20.0                             | 6.2             | 25                                | 600                               | 0.25 | 0.1                             | 15  | MMELF       |
| LLZ5251B    | 500            | 5         | 22.0                             | 5.6             | 29                                | 600                               | 0.25 | 0.1                             | 17  | MMELF       |
| LLZ5252B    | 500            | 5         | 24.0                             | 5.2             | 33                                | 600                               | 0.25 | 0.1                             | 18  | MMELF       |
| LLZ5253B    | 500            | 5         | 25.0                             | 5               | 35                                | 600                               | 0.25 | 0.1                             | 19  | MMELF       |
| LLZ5254B    | 500            | 5         | 27.0                             | 5               | 41                                | 600                               | 0.25 | 0.1                             | 21  | MMELF       |
| LLZ5255B    | 500            | 5         | 28.0                             | 4.5             | 44                                | 600                               | 0.25 | 0.1                             | 21  | MMELF       |
| LLZ5256B    | 500            | 5         | 30.0                             | 4.2             | 49                                | 600                               | 0.25 | 0.1                             | 23  | MMELF       |
| LLZ5257B    | 500            | 5         | 33.0                             | 3.8             | 58                                | 700                               | 0.25 | 0.1                             | 25  | MMELF       |
| LLZ5258B    | 500            | 5         | 36.0                             | 3.4             | 70                                | 700                               | 0.25 | 0.1                             | 27  | MMELF       |
| LLZ5259B    | 500            | 5         | 39.0                             | 3.2             | 80                                | 800                               | 0.25 | 0.1                             | 30  | MMELF       |
| LLZ5260B    | 500            | 5         | 43.0                             | 3               | 93                                | 900                               | 0.25 | 0.1                             | 33  | MMELF       |
| LLZ5261B    | 500            | 5         | 47.0                             | 2.7             | 105                               | 1000                              | 0.25 | 0.1                             | 36  | MMELF       |
| LLZ5262B    | 500            | 5         | 51.0                             | 2.5             | 125                               | 1100                              | 0.25 | 0.1                             | 39  | MMELF       |
| LLZ5263B    | 500            | 5         | 56.0                             | 2.2             | 150                               | 1300                              | 0.25 | 0.1                             | 43  | MMELF       |
| BZV55B2V4   | 500            | 2         | 2.4                              | 5               | 85                                | 600                               | 1.00 | 50                              | 1   | MMELF       |
| BZV55B2V7   | 500            | 2         | 2.7                              | 5               | 85                                | 600                               | 1.00 | 10                              | 1   | MMELF       |
| BZV55B3V0   | 500            | 2         | 3.0                              | 5               | 85                                | 600                               | 1.00 | 4                               | 1   | MMELF       |
| BZV55B3V3   | 500            | 2         | 3.3                              | 5               | 85                                | 600                               | 1.00 | 2                               | 1   | MMELF       |
| BZV55B3V6   | 500            | 2         | 3.6                              | 5               | 85                                | 600                               | 1.00 | 2                               | 1   | MMELF       |
| BZV55B3V9   | 500            | 2         | 3.9                              | 5               | 85                                | 600                               | 1.00 | 2                               | 1   | MMELF       |
| BZV55B4V3   | 500            | 2         | 4.3                              | 5               | 75                                | 600                               | 1.00 | 1                               | 1   | MMELF       |
| BZV55B4V7   | 500            | 2         | 4.7                              | 5               | 60                                | 600                               | 1.00 | 0.5                             | 1   | MMELF       |
| BZV55B5V1   | 500            | 2         | 5.1                              | 5               | 35                                | 550                               | 1.00 | 0.1                             | 1   | MMELF       |

## DIODES - ZENER

| Part Number | P <sub>D</sub> | Tolerance | V <sub>Z</sub> @ I <sub>ZT</sub> | I <sub>ZT</sub> | Z <sub>ZT</sub> @ I <sub>ZT</sub> | Z <sub>ZK</sub> @ I <sub>ZK</sub> |      | I <sub>R</sub> @ V <sub>R</sub> |     | Package Description |
|-------------|----------------|-----------|----------------------------------|-----------------|-----------------------------------|-----------------------------------|------|---------------------------------|-----|---------------------|
|             | (mW)           | +/- (%)   | (V)                              | (mA)            | (Ω)                               | (Ω)                               | (mA) | (μA)                            | (V) |                     |
| BZV55B5V6   | 500            | 2         | 5.6                              | 5               | 25                                | 450                               | 1.00 | 0.1                             | 1   | MMELF               |
| BZV55B6V2   | 500            | 2         | 6.2                              | 5               | 10                                | 200                               | 1.00 | 0.1                             | 2   | MMELF               |
| BZV55B6V8   | 500            | 2         | 6.8                              | 5               | 8                                 | 150                               | 1.00 | 0.1                             | 3   | MMELF               |
| BZV55B7V5   | 500            | 2         | 7.5                              | 5               | 7                                 | 50                                | 1.00 | 0.1                             | 5   | MMELF               |
| BZV55B8V2   | 500            | 2         | 8.2                              | 5               | 7                                 | 50                                | 1.00 | 0.1                             | 6.2 | MMELF               |
| BZV55B9V1   | 500            | 2         | 9.1                              | 5               | 10                                | 50                                | 1.00 | 0.1                             | 6.8 | MMELF               |
| BZV55B10    | 500            | 2         | 10.0                             | 5               | 15                                | 70                                | 1.00 | 0.1                             | 7.5 | MMELF               |
| BZV55B11    | 500            | 2         | 11.0                             | 5               | 20                                | 70                                | 1.00 | 0.1                             | 8.2 | MMELF               |
| BZV55B12    | 500            | 2         | 12.0                             | 5               | 20                                | 90                                | 1.00 | 0.1                             | 9.1 | MMELF               |
| BZV55B13    | 500            | 2         | 13.0                             | 5               | 26                                | 110                               | 1.00 | 0.1                             | 10  | MMELF               |
| BZV55B15    | 500            | 2         | 15.0                             | 5               | 30                                | 110                               | 1.00 | 0.1                             | 11  | MMELF               |
| BZV55B16    | 500            | 2         | 16.0                             | 5               | 40                                | 170                               | 1.00 | 0.1                             | 12  | MMELF               |
| BZV55B18    | 500            | 2         | 18.0                             | 5               | 50                                | 170                               | 1.00 | 0.1                             | 13  | MMELF               |
| BZV55B20    | 500            | 2         | 20.0                             | 5               | 55                                | 220                               | 1.00 | 0.1                             | 15  | MMELF               |
| BZV55B22    | 500            | 2         | 22.0                             | 5               | 55                                | 220                               | 1.00 | 0.1                             | 16  | MMELF               |
| BZV55B24    | 500            | 2         | 24.0                             | 5               | 80                                | 220                               | 1.00 | 0.1                             | 18  | MMELF               |
| BZV55B27    | 500            | 2         | 27.0                             | 5               | 80                                | 220                               | 1.00 | 0.1                             | 20  | MMELF               |
| BZV55B30    | 500            | 2         | 30.0                             | 5               | 80                                | 220                               | 1.00 | 0.1                             | 22  | MMELF               |
| BZV55B33    | 500            | 2         | 33.0                             | 5               | 80                                | 220                               | 1.00 | 0.1                             | 24  | MMELF               |
| BZV55B36    | 500            | 2         | 36.0                             | 5               | 80                                | 220                               | 1.00 | 0.1                             | 27  | MMELF               |
| BZV55B39    | 500            | 2         | 39.0                             | 2.5             | 90                                | 500                               | 0.50 | 0.1                             | 28  | MMELF               |
| BZV55B43    | 500            | 2         | 43.0                             | 2.5             | 90                                | 600                               | 0.50 | 0.1                             | 32  | MMELF               |
| BZV55B47    | 500            | 2         | 47.0                             | 2.5             | 110                               | 700                               | 0.50 | 0.1                             | 35  | MMELF               |
| BZV55B51    | 500            | 2         | 51.0                             | 2.5             | 125                               | 700                               | 0.50 | 0.1                             | 38  | MMELF               |
| BZV55B56    | 500            | 2         | 56.0                             | 2.5             | 135                               | 1000                              | 0.50 | 0.1                             | 42  | MMELF               |
| BZV55B62    | 500            | 2         | 62.0                             | 2.5             | 150                               | 1000                              | 0.50 | 0.1                             | 47  | MMELF               |
| BZV55B68    | 500            | 2         | 68.0                             | 2.5             | 160                               | 1000                              | 0.50 | 0.1                             | 51  | MMELF               |
| BZV55B75    | 500            | 2         | 75.0                             | 2.5             | 170                               | 1000                              | 0.50 | 0.1                             | 56  | MMELF               |
| BZV55C2V4   | 500            | 5         | 2.4                              | 5               | 85                                | 600                               | 1.00 | 50                              | 1   | MMELF               |
| BZV55C2V7   | 500            | 5         | 2.7                              | 5               | 85                                | 600                               | 1.00 | 10                              | 1   | MMELF               |
| BZV55C3V0   | 500            | 5         | 3.0                              | 5               | 85                                | 600                               | 1.00 | 4                               | 1   | MMELF               |
| BZV55C3V3   | 500            | 5         | 3.3                              | 5               | 85                                | 600                               | 1.00 | 2                               | 1   | MMELF               |
| BZV55C3V6   | 500            | 5         | 3.6                              | 5               | 85                                | 600                               | 1.00 | 2                               | 1   | MMELF               |
| BZV55C3V9   | 500            | 5         | 3.9                              | 5               | 85                                | 600                               | 1.00 | 2                               | 1   | MMELF               |
| BZV55C4V3   | 500            | 5         | 4.3                              | 5               | 75                                | 600                               | 1.00 | 1                               | 1   | MMELF               |
| BZV55C4V7   | 500            | 5         | 4.7                              | 5               | 60                                | 600                               | 1.00 | 0.5                             | 1   | MMELF               |
| BZV55C5V1   | 500            | 5         | 5.1                              | 5               | 35                                | 550                               | 1.00 | 0.1                             | 1   | MMELF               |
| BZV55C5V6   | 500            | 5         | 5.6                              | 5               | 25                                | 450                               | 1.00 | 0.1                             | 1   | MMELF               |
| BZV55C6V2   | 500            | 5         | 6.2                              | 5               | 10                                | 200                               | 1.00 | 0.1                             | 2   | MMELF               |
| BZV55C6V8   | 500            | 5         | 6.8                              | 5               | 8                                 | 150                               | 1.00 | 0.1                             | 3   | MMELF               |
| BZV55C7V5   | 500            | 5         | 7.5                              | 5               | 7                                 | 50                                | 1.00 | 0.1                             | 5   | MMELF               |
| BZV55C8V2   | 500            | 5         | 8.2                              | 5               | 7                                 | 50                                | 1.00 | 0.1                             | 6.2 | MMELF               |
| BZV55C9V1   | 500            | 5         | 9.1                              | 5               | 10                                | 50                                | 1.00 | 0.1                             | 6.8 | MMELF               |
| BZV55C10    | 500            | 5         | 10.0                             | 5               | 15                                | 70                                | 1.00 | 0.1                             | 7.5 | MMELF               |
| BZV55C11    | 500            | 5         | 11.0                             | 5               | 20                                | 70                                | 1.00 | 0.1                             | 8.2 | MMELF               |
| BZV55C12    | 500            | 5         | 12.0                             | 5               | 20                                | 90                                | 1.00 | 0.1                             | 9.1 | MMELF               |
| BZV55C13    | 500            | 5         | 13.0                             | 5               | 26                                | 110                               | 1.00 | 0.1                             | 10  | MMELF               |

## DIODES - ZENER

| Part Number | P <sub>D</sub> | Tolerance | V <sub>Z</sub> @ I <sub>ZT</sub> | I <sub>ZT</sub> | Z <sub>ZT</sub> @ I <sub>ZT</sub> | Z <sub>ZK</sub> @ I <sub>ZK</sub> |      | I <sub>R</sub> @ V <sub>R</sub> |      | Package Description |
|-------------|----------------|-----------|----------------------------------|-----------------|-----------------------------------|-----------------------------------|------|---------------------------------|------|---------------------|
|             | (mW)           | +/- (%)   | (V)                              | (mA)            | (Ω)                               | (Ω)                               | (mA) | (μA)                            | (V)  |                     |
| BZV55C15    | 500            | 5         | 15.0                             | 5               | 30                                | 110                               | 1.00 | 0.1                             | 11   | MMELF               |
| BZV55C16    | 500            | 5         | 16.0                             | 5               | 40                                | 170                               | 1.00 | 0.1                             | 12   | MMELF               |
| BZV55C18    | 500            | 5         | 18.0                             | 5               | 50                                | 170                               | 1.00 | 0.1                             | 13   | MMELF               |
| BZV55C20    | 500            | 5         | 20.0                             | 5               | 55                                | 220                               | 1.00 | 0.1                             | 15   | MMELF               |
| BZV55C22    | 500            | 5         | 22.0                             | 5               | 55                                | 220                               | 1.00 | 0.1                             | 16   | MMELF               |
| BZV55C24    | 500            | 5         | 24.0                             | 5               | 80                                | 220                               | 1.00 | 0.1                             | 18   | MMELF               |
| BZV55C27    | 500            | 5         | 27.0                             | 5               | 80                                | 220                               | 1.00 | 0.1                             | 20   | MMELF               |
| BZV55C30    | 500            | 5         | 30.0                             | 5               | 80                                | 220                               | 1.00 | 0.1                             | 22   | MMELF               |
| BZV55C33    | 500            | 5         | 33.0                             | 5               | 80                                | 220                               | 1.00 | 0.1                             | 24   | MMELF               |
| BZV55C36    | 500            | 5         | 36.0                             | 5               | 80                                | 220                               | 1.00 | 0.1                             | 27   | MMELF               |
| BZV55C39    | 500            | 5         | 39.0                             | 2.5             | 90                                | 500                               | 0.50 | 0.1                             | 28   | MMELF               |
| BZV55C43    | 500            | 5         | 43.0                             | 2.5             | 90                                | 600                               | 0.50 | 0.1                             | 32   | MMELF               |
| BZV55C47    | 500            | 5         | 47.0                             | 2.5             | 110                               | 700                               | 0.50 | 0.1                             | 35   | MMELF               |
| BZV55C51    | 500            | 5         | 51.0                             | 2.5             | 125                               | 700                               | 0.50 | 0.1                             | 38   | MMELF               |
| BZV55C56    | 500            | 5         | 56.0                             | 2.5             | 135                               | 1000                              | 0.50 | 0.1                             | 42   | MMELF               |
| BZV55C62    | 500            | 5         | 62.0                             | 2.5             | 150                               | 1000                              | 0.50 | 0.1                             | 47   | MMELF               |
| BZV55C68    | 500            | 5         | 68.0                             | 2.5             | 160                               | 1000                              | 0.50 | 0.1                             | 51   | MMELF               |
| BZV55C75    | 500            | 5         | 75.0                             | 2.5             | 170                               | 1000                              | 0.50 | 0.1                             | 56   | MMELF               |
| BZV79C2V4   | 500            | 5         | 2.4                              | 5               | 100                               | 600                               | 1.00 | 100                             | 1    | MMELF               |
| BZV79C2V7   | 500            | 5         | 2.7                              | 5               | 100                               | 600                               | 1.00 | 75                              | 1    | MMELF               |
| BZV79C3V0   | 500            | 5         | 3.0                              | 5               | 95                                | 600                               | 1.00 | 50                              | 1    | MMELF               |
| BZV79C3V3   | 500            | 5         | 3.3                              | 5               | 95                                | 600                               | 1.00 | 25                              | 1    | MMELF               |
| BZV79C3V6   | 500            | 5         | 3.6                              | 5               | 90                                | 600                               | 1.00 | 15                              | 1    | MMELF               |
| BZV79C3V9   | 500            | 5         | 3.9                              | 5               | 90                                | 600                               | 1.00 | 10                              | 1    | MMELF               |
| BZV79C4V3   | 500            | 5         | 4.3                              | 5               | 90                                | 600                               | 1.00 | 5                               | 1    | MMELF               |
| BZV79C4V7   | 500            | 5         | 4.7                              | 5               | 80                                | 500                               | 1.00 | 3                               | 2    | MMELF               |
| BZV79C5V1   | 500            | 5         | 5.1                              | 5               | 60                                | 480                               | 1.00 | 2                               | 2    | MMELF               |
| BZV79C5V6   | 500            | 5         | 5.6                              | 5               | 40                                | 400                               | 1.00 | 1                               | 2    | MMELF               |
| BZV79C6V2   | 500            | 5         | 6.2                              | 5               | 10                                | 150                               | 1.00 | 3                               | 4    | MMELF               |
| BZV79C6V8   | 500            | 5         | 6.8                              | 5               | 15                                | 80                                | 1.00 | 2                               | 4    | MMELF               |
| BZV79C7V5   | 500            | 5         | 7.5                              | 5               | 15                                | 80                                | 1.00 | 1                               | 5    | MMELF               |
| BZV79C8V2   | 500            | 5         | 8.2                              | 5               | 15                                | 80                                | 1.00 | 0.7                             | 5    | MMELF               |
| BZV79C9V1   | 500            | 5         | 9.1                              | 5               | 15                                | 100                               | 1.00 | 0.5                             | 6    | MMELF               |
| BZV79C10    | 500            | 5         | 10.0                             | 5               | 20                                | 150                               | 1.00 | 0.2                             | 7    | MMELF               |
| BZV79C11    | 500            | 5         | 11.0                             | 5               | 20                                | 150                               | 1.00 | 0.1                             | 8    | MMELF               |
| BZV79C12    | 500            | 5         | 12.0                             | 5               | 25                                | 150                               | 1.00 | 0.1                             | 8    | MMELF               |
| BZV79C13    | 500            | 5         | 13.0                             | 5               | 30                                | 170                               | 1.00 | 0.1                             | 8    | MMELF               |
| BZV79C15    | 500            | 5         | 15.0                             | 5               | 30                                | 200                               | 1.00 | 0.05                            | 10.5 | MMELF               |
| BZV79C16    | 500            | 5         | 16.0                             | 5               | 40                                | 200                               | 1.00 | 0.05                            | 11.2 | MMELF               |
| BZV79C18    | 500            | 5         | 18.0                             | 5               | 45                                | 225                               | 1.00 | 0.05                            | 12.6 | MMELF               |
| BZV79C20    | 500            | 5         | 20.0                             | 5               | 55                                | 225                               | 1.00 | 0.05                            | 14   | MMELF               |
| BZV79C22    | 500            | 5         | 22.0                             | 5               | 55                                | 250                               | 1.00 | 0.05                            | 15.4 | MMELF               |
| BZV79C24    | 500            | 5         | 24.0                             | 5               | 70                                | 250                               | 1.00 | 0.05                            | 16.8 | MMELF               |
| BZV79C27    | 500            | 5         | 27.0                             | 2               | 80                                | 300                               | 0.50 | 0.05                            | 18.9 | MMELF               |
| BZV79C30    | 500            | 5         | 30.0                             | 2               | 80                                | 300                               | 0.50 | 0.05                            | 21   | MMELF               |
| BZV79C33    | 500            | 5         | 33.0                             | 2               | 80                                | 325                               | 0.50 | 0.05                            | 23.1 | MMELF               |
| BZV79C36    | 500            | 5         | 36.0                             | 2               | 90                                | 350                               | 0.50 | 0.05                            | 25.2 | MMELF               |

## DIODES - ZENER

| Part Number | P <sub>D</sub> | Tolerance | V <sub>Z</sub> @ I <sub>ZT</sub> | I <sub>ZT</sub> | Z <sub>ZT</sub> @ I <sub>ZT</sub> | Z <sub>ZK</sub> @ I <sub>ZK</sub> |      | I <sub>R</sub> @ V <sub>R</sub> |      | Package Description |
|-------------|----------------|-----------|----------------------------------|-----------------|-----------------------------------|-----------------------------------|------|---------------------------------|------|---------------------|
|             | (mW)           | +/- (%)   | (V)                              | (mA)            | (Ω)                               | (Ω)                               | (mA) | (μA)                            | (V)  |                     |
| BZV79C39    | 500            | 5         | 39.0                             | 2               | 130                               | 350                               | 0.50 | 0.05                            | 27.3 | MMELF               |
| BZV79C43    | 500            | 5         | 43.0                             | 2               | 150                               | 375                               | 0.50 | 0.05                            | 30.1 | MMELF               |
| BZV79C47    | 500            | 5         | 47.0                             | 2               | 170                               | 375                               | 0.50 | 0.05                            | 32.9 | MMELF               |
| BZV79C51    | 500            | 5         | 51.0                             | 2               | 180                               | 400                               | 0.50 | 0.05                            | 35.7 | MMELF               |
| BZV79C56    | 500            | 5         | 56.0                             | 2               | 200                               | 425                               | 0.50 | 0.05                            | 39.2 | MMELF               |
| BZV79C62    | 500            | 5         | 62.0                             | 2.5             | 215                               | 1000                              | 0.50 | 0.05                            | 43.4 | MMELF               |
| BZV79C68    | 500            | 5         | 68.0                             | 2.5             | 240                               | 1000                              | 0.50 | 0.05                            | 47.6 | MMELF               |
| BZV79C75    | 500            | 5         | 75.0                             | 2.5             | 255                               | 1000                              | 0.50 | 0.05                            | 52.5 | MMELF               |
| LLZ2V4      | 500            | 5         | 2.4                              | 5               | 100                               | -                                 | -    | 120                             | 1    | MMELF               |
| LLZ2V7      | 500            | 5         | 2.7                              | 5               | 110                               | -                                 | -    | 100                             | 1    | MMELF               |
| LLZ3V0      | 500            | 5         | 3.0                              | 5               | 120                               | -                                 | -    | 50                              | 1    | MMELF               |
| LLZ3V3      | 500            | 5         | 3.3                              | 5               | 120                               | -                                 | -    | 20                              | 1    | MMELF               |
| LLZ3V6      | 500            | 5         | 3.6                              | 5               | 100                               | -                                 | -    | 10                              | 1    | MMELF               |
| LLZ3V9      | 500            | 5         | 3.9                              | 5               | 100                               | -                                 | -    | 5                               | 1    | MMELF               |
| LLZ4V3      | 500            | 5         | 4.3                              | 5               | 100                               | -                                 | -    | 5                               | 1    | MMELF               |
| LLZ4V7      | 500            | 5         | 4.7                              | 5               | 80                                | -                                 | -    | 5                               | 1    | MMELF               |
| LLZ5V1      | 500            | 5         | 5.1                              | 5               | 80                                | -                                 | -    | 5                               | 1.5  | MMELF               |
| LLZ5V6      | 500            | 5         | 5.6                              | 5               | 60                                | -                                 | -    | 5                               | 2.5  | MMELF               |
| LLZ6V2      | 500            | 5         | 6.2                              | 5               | 60                                | -                                 | -    | 5                               | 3    | MMELF               |
| LLZ6V8      | 500            | 5         | 6.8                              | 5               | 20                                | -                                 | -    | 2                               | 3.5  | MMELF               |
| LLZ7V5      | 500            | 5         | 7.5                              | 5               | 20                                | -                                 | -    | 0.5                             | 4    | MMELF               |
| LLZ8V2      | 500            | 5         | 8.2                              | 5               | 20                                | -                                 | -    | 0.5                             | 5    | MMELF               |
| LLZ9V1      | 500            | 5         | 9.1                              | 5               | 25                                | -                                 | -    | 0.5                             | 6    | MMELF               |
| LLZ10       | 500            | 5         | 10.0                             | 5               | 30                                | -                                 | -    | 0.2                             | 7    | MMELF               |
| LLZ11       | 500            | 5         | 11.0                             | 5               | 30                                | -                                 | -    | 0.2                             | 8    | MMELF               |
| LLZ12       | 500            | 5         | 12.0                             | 5               | 30                                | -                                 | -    | 0.2                             | 9    | MMELF               |
| LLZ13       | 500            | 5         | 13.0                             | 5               | 35                                | -                                 | -    | 0.2                             | 10   | MMELF               |
| LLZ15       | 500            | 5         | 15.0                             | 5               | 40                                | -                                 | -    | 0.2                             | 11   | MMELF               |
| LLZ16       | 500            | 5         | 16.0                             | 5               | 40                                | -                                 | -    | 0.2                             | 12   | MMELF               |
| LLZ18       | 500            | 5         | 18.0                             | 5               | 45                                | -                                 | -    | 0.2                             | 13   | MMELF               |
| LLZ20       | 500            | 5         | 20.0                             | 5               | 45                                | -                                 | -    | 0.2                             | 15   | MMELF               |
| LLZ22       | 500            | 5         | 22.0                             | 5               | 30                                | -                                 | -    | 0.2                             | 17   | MMELF               |
| LLZ24       | 500            | 5         | 24.0                             | 5               | 35                                | -                                 | -    | 0.2                             | 19   | MMELF               |
| LLZ27       | 500            | 5         | 27.0                             | 5               | 45                                | -                                 | -    | 0.2                             | 21   | MMELF               |
| LLZ30       | 500            | 5         | 30.0                             | 5               | 55                                | -                                 | -    | 0.2                             | 23   | MMELF               |
| LLZ33       | 500            | 5         | 33.0                             | 5               | 65                                | -                                 | -    | 0.2                             | 25   | MMELF               |
| LLZ36       | 500            | 5         | 36.0                             | 5               | 75                                | -                                 | -    | 0.2                             | 27   | MMELF               |
| LLZ39       | 500            | 5         | 39.0                             | 5               | 85                                | -                                 | -    | 0.2                             | 30   | MMELF               |
| LLZ43       | 500            | 5         | 43.0                             | 5               | 90                                | -                                 | -    | 0.2                             | 33   | MMELF               |
| LLZ47       | 500            | 5         | 47.0                             | 5               | 90                                | -                                 | -    | 0.2                             | 36   | MMELF               |
| LLZ51       | 500            | 5         | 51.0                             | 5               | 110                               | -                                 | -    | 0.2                             | 39   | MMELF               |
| LLZ56       | 500            | 5         | 56.0                             | 5               | 110                               | -                                 | -    | 0.2                             | 43   | MMELF               |
| LLZ62       | 500            | 5         | 62.0                             | 2               | 201                               | -                                 | -    | 0.2                             | 47   | MMELF               |
| LLZ68       | 500            | 5         | 68.0                             | 2               | 230                               | -                                 | -    | 0.2                             | 51   | MMELF               |
| LLZ75       | 500            | 5         | 75.0                             | 2               | 240                               | -                                 | -    | 0.2                             | 56   | MMELF               |
| BZT55B2V4   | 500            | 2         | 2.4                              | 5               | 85                                | 600                               | 1.00 | 50                              | 1    | QMMELF              |
| BZT55B2V7   | 500            | 2         | 2.7                              | 5               | 85                                | 600                               | 1.00 | 10                              | 1    | QMMELF              |

## DIODES - ZENER

| Part Number | P <sub>D</sub> | Tolerance | V <sub>Z</sub> @ I <sub>ZT</sub> | I <sub>ZT</sub> | Z <sub>ZT</sub> @ I <sub>ZT</sub> | Z <sub>ZK</sub> @ I <sub>ZK</sub> |      | I <sub>R</sub> @ V <sub>R</sub> |     | Package Description |
|-------------|----------------|-----------|----------------------------------|-----------------|-----------------------------------|-----------------------------------|------|---------------------------------|-----|---------------------|
|             | (mW)           | +/- (%)   | (V)                              | (mA)            | (Ω)                               | (Ω)                               | (mA) | (μA)                            | (V) |                     |
| BZT55B3V0   | 500            | 2         | 3.0                              | 5               | 85                                | 600                               | 1.00 | 4                               | 1   | QMMELF              |
| BZT55B3V3   | 500            | 2         | 3.3                              | 5               | 85                                | 600                               | 1.00 | 2                               | 1   | QMMELF              |
| BZT55B3V6   | 500            | 2         | 3.6                              | 5               | 85                                | 600                               | 1.00 | 2                               | 1   | QMMELF              |
| BZT55B3V9   | 500            | 2         | 3.9                              | 5               | 85                                | 600                               | 1.00 | 2                               | 1   | QMMELF              |
| BZT55B4V3   | 500            | 2         | 4.3                              | 5               | 75                                | 600                               | 1.00 | 1                               | 1   | QMMELF              |
| BZT55B4V7   | 500            | 2         | 4.7                              | 5               | 60                                | 600                               | 1.00 | 0.5                             | 1   | QMMELF              |
| BZT55B5V1   | 500            | 2         | 5.1                              | 5               | 35                                | 550                               | 1.00 | 0.1                             | 1   | QMMELF              |
| BZT55B5V6   | 500            | 2         | 5.6                              | 5               | 25                                | 450                               | 1.00 | 0.1                             | 1   | QMMELF              |
| BZT55B6V2   | 500            | 2         | 6.2                              | 5               | 10                                | 200                               | 1.00 | 0.1                             | 2   | QMMELF              |
| BZT55B6V8   | 500            | 2         | 6.8                              | 5               | 8                                 | 150                               | 1.00 | 0.1                             | 3   | QMMELF              |
| BZT55B7V5   | 500            | 2         | 7.5                              | 5               | 7                                 | 50                                | 1.00 | 0.1                             | 5   | QMMELF              |
| BZT55B8V2   | 500            | 2         | 8.2                              | 5               | 7                                 | 50                                | 1.00 | 0.1                             | 6.2 | QMMELF              |
| BZT55B9V1   | 500            | 2         | 9.1                              | 5               | 10                                | 50                                | 1.00 | 0.1                             | 6.8 | QMMELF              |
| BZT55B10    | 500            | 2         | 10.0                             | 5               | 15                                | 70                                | 1.00 | 0.1                             | 7.5 | QMMELF              |
| BZT55B11    | 500            | 2         | 11.0                             | 5               | 20                                | 70                                | 1.00 | 0.1                             | 8.2 | QMMELF              |
| BZT55B12    | 500            | 2         | 12.0                             | 5               | 20                                | 90                                | 1.00 | 0.1                             | 9.1 | QMMELF              |
| BZT55B13    | 500            | 2         | 13.0                             | 5               | 26                                | 110                               | 1.00 | 0.1                             | 10  | QMMELF              |
| BZT55B15    | 500            | 2         | 15.0                             | 5               | 30                                | 110                               | 1.00 | 0.1                             | 11  | QMMELF              |
| BZT55B16    | 500            | 2         | 16.0                             | 5               | 40                                | 170                               | 1.00 | 0.1                             | 12  | QMMELF              |
| BZT55B18    | 500            | 2         | 18.0                             | 5               | 50                                | 170                               | 1.00 | 0.1                             | 13  | QMMELF              |
| BZT55B20    | 500            | 2         | 20.0                             | 5               | 55                                | 220                               | 1.00 | 0.1                             | 15  | QMMELF              |
| BZT55B22    | 500            | 2         | 22.0                             | 5               | 55                                | 220                               | 1.00 | 0.1                             | 16  | QMMELF              |
| BZT55B24    | 500            | 2         | 24.0                             | 5               | 80                                | 220                               | 1.00 | 0.1                             | 18  | QMMELF              |
| BZT55B27    | 500            | 2         | 27.0                             | 5               | 80                                | 220                               | 1.00 | 0.1                             | 20  | QMMELF              |
| BZT55B30    | 500            | 2         | 30.0                             | 5               | 80                                | 220                               | 1.00 | 0.1                             | 22  | QMMELF              |
| BZT55B33    | 500            | 2         | 33.0                             | 5               | 80                                | 220                               | 1.00 | 0.1                             | 24  | QMMELF              |
| BZT55B36    | 500            | 2         | 36.0                             | 5               | 80                                | 220                               | 1.00 | 0.1                             | 27  | QMMELF              |
| BZT55B39    | 500            | 2         | 39.0                             | 2.5             | 90                                | 500                               | 0.50 | 0.1                             | 28  | QMMELF              |
| BZT55B43    | 500            | 2         | 43.0                             | 2.5             | 90                                | 600                               | 0.50 | 0.1                             | 32  | QMMELF              |
| BZT55B47    | 500            | 2         | 47.0                             | 2.5             | 110                               | 700                               | 0.50 | 0.1                             | 35  | QMMELF              |
| BZT55B51    | 500            | 2         | 51.0                             | 2.5             | 125                               | 700                               | 0.50 | 0.1                             | 38  | QMMELF              |
| BZT55B56    | 500            | 2         | 56.0                             | 2.5             | 135                               | 1000                              | 0.50 | 0.1                             | 42  | QMMELF              |
| BZT55B62    | 500            | 2         | 62.0                             | 2.5             | 150                               | 1000                              | 0.50 | 0.1                             | 47  | QMMELF              |
| BZT55B68    | 500            | 2         | 68.0                             | 2.5             | 160                               | 1000                              | 0.50 | 0.1                             | 51  | QMMELF              |
| BZT55B75    | 500            | 2         | 75.0                             | 2.5             | 170                               | 1000                              | 0.50 | 0.1                             | 56  | QMMELF              |
| BZT55C2V4   | 500            | 5         | 2.4                              | 5               | 85                                | 600                               | 1.00 | 50                              | 1   | QMMELF              |
| BZT55C2V7   | 500            | 5         | 2.7                              | 5               | 85                                | 600                               | 1.00 | 10                              | 1   | QMMELF              |
| BZT55C3V0   | 500            | 5         | 3.0                              | 5               | 85                                | 600                               | 1.00 | 4                               | 1   | QMMELF              |
| BZT55C3V3   | 500            | 5         | 3.3                              | 5               | 85                                | 600                               | 1.00 | 2                               | 1   | QMMELF              |
| BZT55C3V6   | 500            | 5         | 3.6                              | 5               | 85                                | 600                               | 1.00 | 2                               | 1   | QMMELF              |
| BZT55C3V9   | 500            | 5         | 3.9                              | 5               | 85                                | 600                               | 1.00 | 2                               | 1   | QMMELF              |
| BZT55C4V3   | 500            | 5         | 4.3                              | 5               | 75                                | 600                               | 1.00 | 1                               | 1   | QMMELF              |
| BZT55C4V7   | 500            | 5         | 4.7                              | 5               | 60                                | 600                               | 1.00 | 0.5                             | 1   | QMMELF              |
| BZT55C5V1   | 500            | 5         | 5.1                              | 5               | 35                                | 550                               | 1.00 | 0.1                             | 1   | QMMELF              |
| BZT55C5V6   | 500            | 5         | 5.6                              | 5               | 25                                | 450                               | 1.00 | 0.1                             | 1   | QMMELF              |
| BZT55C6V2   | 500            | 5         | 6.2                              | 5               | 10                                | 200                               | 1.00 | 0.1                             | 2   | QMMELF              |
| BZT55C6V8   | 500            | 5         | 6.8                              | 5               | 8                                 | 150                               | 1.00 | 0.1                             | 3   | QMMELF              |

## DIODES - ZENER

| Part Number | P <sub>D</sub> | Tolerance | V <sub>Z</sub> @ I <sub>ZT</sub> | I <sub>ZT</sub> | Z <sub>ZT</sub> @ I <sub>ZT</sub> | Z <sub>ZK</sub> @ I <sub>ZK</sub> |      | I <sub>R</sub> @ V <sub>R</sub> |     | Package     |
|-------------|----------------|-----------|----------------------------------|-----------------|-----------------------------------|-----------------------------------|------|---------------------------------|-----|-------------|
|             | (mW)           | +/- (%)   | (V)                              | (mA)            | (Ω)                               | (Ω)                               | (mA) | (μA)                            | (V) | Description |
| BZT55C7V5   | 500            | 5         | 7.5                              | 5               | 7                                 | 50                                | 1.00 | 0.1                             | 5   | QMMELF      |
| BZT55C8V2   | 500            | 5         | 8.2                              | 5               | 7                                 | 50                                | 1.00 | 0.1                             | 6.2 | QMMELF      |
| BZT55C9V1   | 500            | 5         | 9.1                              | 5               | 10                                | 50                                | 1.00 | 0.1                             | 6.8 | QMMELF      |
| BZT55C10    | 500            | 5         | 10.0                             | 5               | 15                                | 70                                | 1.00 | 0.1                             | 7.5 | QMMELF      |
| BZT55C11    | 500            | 5         | 11.0                             | 5               | 20                                | 70                                | 1.00 | 0.1                             | 8.2 | QMMELF      |
| BZT55C12    | 500            | 5         | 12.0                             | 5               | 20                                | 90                                | 1.00 | 0.1                             | 9.1 | QMMELF      |
| BZT55C13    | 500            | 5         | 13.0                             | 5               | 26                                | 110                               | 1.00 | 0.1                             | 10  | QMMELF      |
| BZT55C15    | 500            | 5         | 15.0                             | 5               | 30                                | 110                               | 1.00 | 0.1                             | 11  | QMMELF      |
| BZT55C16    | 500            | 5         | 16.0                             | 5               | 40                                | 170                               | 1.00 | 0.1                             | 12  | QMMELF      |
| BZT55C18    | 500            | 5         | 18.0                             | 5               | 50                                | 170                               | 1.00 | 0.1                             | 13  | QMMELF      |
| BZT55C20    | 500            | 5         | 20.0                             | 5               | 55                                | 220                               | 1.00 | 0.1                             | 15  | QMMELF      |
| BZT55C22    | 500            | 5         | 22.0                             | 5               | 55                                | 220                               | 1.00 | 0.1                             | 16  | QMMELF      |
| BZT55C24    | 500            | 5         | 24.0                             | 5               | 80                                | 220                               | 1.00 | 0.1                             | 18  | QMMELF      |
| BZT55C27    | 500            | 5         | 27.0                             | 5               | 80                                | 220                               | 1.00 | 0.1                             | 20  | QMMELF      |
| BZT55C30    | 500            | 5         | 30.0                             | 5               | 80                                | 220                               | 1.00 | 0.1                             | 22  | QMMELF      |
| BZT55C33    | 500            | 5         | 33.0                             | 5               | 80                                | 220                               | 1.00 | 0.1                             | 24  | QMMELF      |
| BZT55C36    | 500            | 5         | 36.0                             | 5               | 80                                | 220                               | 1.00 | 0.1                             | 27  | QMMELF      |
| BZT55C39    | 500            | 5         | 39.0                             | 2.5             | 90                                | 500                               | 0.50 | 0.1                             | 28  | QMMELF      |
| BZT55C43    | 500            | 5         | 43.0                             | 2.5             | 90                                | 600                               | 0.50 | 0.1                             | 32  | QMMELF      |
| BZT55C47    | 500            | 5         | 47.0                             | 2.5             | 110                               | 700                               | 0.50 | 0.1                             | 35  | QMMELF      |
| BZT55C51    | 500            | 5         | 51.0                             | 2.5             | 125                               | 700                               | 0.50 | 0.1                             | 38  | QMMELF      |
| BZT55C56    | 500            | 5         | 56.0                             | 2.5             | 135                               | 1000                              | 0.50 | 0.1                             | 42  | QMMELF      |
| BZT55C62    | 500            | 5         | 62.0                             | 2.5             | 150                               | 1000                              | 0.50 | 0.1                             | 47  | QMMELF      |
| BZT55C68    | 500            | 5         | 68.0                             | 2.5             | 160                               | 1000                              | 0.50 | 0.1                             | 51  | QMMELF      |
| BZT55C75    | 500            | 5         | 75.0                             | 2.5             | 170                               | 1000                              | 0.50 | 0.1                             | 56  | QMMELF      |
| MTZJ2V0A    | 500            | 5.5       | 2.0                              | 5               | 100                               | 1000                              | 0.50 | 120                             | 0.5 | DO-34       |
| MTZJ2V0B    | 500            | 4.3       | 2.1                              | 5               | 100                               | 1000                              | 0.50 | 120                             | 0.5 | DO-34       |
| MTZJ2V2A    | 500            | 4         | 2.2                              | 5               | 100                               | 1000                              | 0.50 | 100                             | 0.7 | DO-34       |
| MTZJ2V2B    | 500            | 4.1       | 2.3                              | 5               | 100                               | 1000                              | 0.50 | 100                             | 0.7 | DO-34       |
| MTZJ2V4A    | 500            | 3.9       | 2.4                              | 5               | 100                               | 1000                              | 0.50 | 120                             | 1   | DO-34       |
| MTZJ2V4B    | 500            | 4         | 2.5                              | 5               | 100                               | 1000                              | 0.50 | 120                             | 1   | DO-34       |
| MTZJ2V7A    | 500            | 4         | 2.6                              | 5               | 110                               | 1000                              | 0.50 | 100                             | 1   | DO-34       |
| MTZJ2V7B    | 500            | 3.9       | 2.8                              | 5               | 110                               | 1000                              | 0.50 | 100                             | 1   | DO-34       |
| MTZJ3V0A    | 500            | 3.7       | 3.0                              | 5               | 120                               | 1000                              | 0.50 | 50                              | 1   | DO-34       |
| MTZJ3V0B    | 500            | 3.4       | 3.1                              | 5               | 120                               | 1000                              | 0.50 | 50                              | 1   | DO-34       |
| MTZJ3V3A    | 500            | 3.4       | 3.3                              | 5               | 120                               | 1000                              | 0.50 | 20                              | 1   | DO-34       |
| MTZJ3V3B    | 500            | 3.1       | 3.4                              | 5               | 120                               | 1000                              | 0.50 | 20                              | 1   | DO-34       |
| MTZJ3V6A    | 500            | 3.6       | 3.6                              | 5               | 100                               | 1000                              | 1.00 | 10                              | 1   | DO-34       |
| MTZJ3V6B    | 500            | 3.3       | 3.7                              | 5               | 100                               | 1000                              | 1.00 | 10                              | 1   | DO-34       |
| MTZJ3V9A    | 500            | 3.5       | 3.9                              | 5               | 100                               | 1000                              | 1.00 | 5                               | 1   | DO-34       |
| MTZJ3V9B    | 500            | 3.3       | 4.0                              | 5               | 100                               | 1000                              | 1.00 | 5                               | 1   | DO-34       |
| MTZJ4V3A    | 500            | 3         | 4.2                              | 5               | 100                               | 1000                              | 1.00 | 5                               | 1   | DO-34       |
| MTZJ4V3B    | 500            | 3         | 4.3                              | 5               | 100                               | 1000                              | 1.00 | 5                               | 1   | DO-34       |
| MTZJ4V3C    | 500            | 3         | 4.4                              | 5               | 100                               | 1000                              | 1.00 | 5                               | 1   | DO-34       |
| MTZJ4V7A    | 500            | 2.6       | 4.6                              | 5               | 80                                | 900                               | 1.00 | 5                               | 1   | DO-34       |
| MTZJ4V7B    | 500            | 2.8       | 4.7                              | 5               | 80                                | 900                               | 1.00 | 5                               | 1   | DO-34       |
| MTZJ4V7C    | 500            | 2.7       | 4.8                              | 5               | 80                                | 900                               | 1.00 | 5                               | 1   | DO-34       |

## DIODES - ZENER

| Part Number | P <sub>D</sub> | Tolerance | V <sub>Z</sub> @ I <sub>ZT</sub> | I <sub>ZT</sub> | Z <sub>ZT</sub> @ I <sub>ZT</sub> | Z <sub>ZK</sub> @ I <sub>ZK</sub> |      | I <sub>R</sub> @ V <sub>R</sub> |     | Package     |
|-------------|----------------|-----------|----------------------------------|-----------------|-----------------------------------|-----------------------------------|------|---------------------------------|-----|-------------|
|             | (mW)           | +/- (%)   | (V)                              | (mA)            | (Ω)                               | (Ω)                               | (mA) | (μA)                            | (V) | Description |
| MTZJ5V1A    | 500            | 2.6       | 4.9                              | 5               | 80                                | 800                               | 1.00 | 5                               | 1.5 | DO-34       |
| MTZJ5V1B    | 500            | 2.6       | 5.1                              | 5               | 80                                | 800                               | 1.00 | 5                               | 1.5 | DO-34       |
| MTZJ5V1C    | 500            | 2.7       | 5.2                              | 5               | 80                                | 800                               | 1.00 | 5                               | 1.5 | DO-34       |
| MTZJ5V6A    | 500            | 2.4       | 5.4                              | 5               | 60                                | 500                               | 1.00 | 5                               | 2.5 | DO-34       |
| MTZJ5V6B    | 500            | 2.5       | 5.6                              | 5               | 60                                | 500                               | 1.00 | 5                               | 2.5 | DO-34       |
| MTZJ5V6C    | 500            | 2.6       | 5.8                              | 5               | 60                                | 500                               | 1.00 | 5                               | 2.5 | DO-34       |
| MTZJ6V2A    | 500            | 2.7       | 5.9                              | 5               | 60                                | 300                               | 1.00 | 5                               | 3   | DO-34       |
| MTZJ6V2B    | 500            | 2.6       | 6.1                              | 5               | 60                                | 300                               | 1.00 | 5                               | 3   | DO-34       |
| MTZJ6V2C    | 500            | 2.5       | 6.3                              | 5               | 60                                | 300                               | 1.00 | 5                               | 3   | DO-34       |
| MTZJ6V8A    | 500            | 2.6       | 6.5                              | 5               | 20                                | 150                               | 0.50 | 2                               | 3.5 | DO-34       |
| MTZJ6V8B    | 500            | 2.6       | 6.7                              | 5               | 20                                | 150                               | 0.50 | 2                               | 3.5 | DO-34       |
| MTZJ6V8C    | 500            | 2.6       | 6.8                              | 5               | 20                                | 150                               | 0.50 | 2                               | 3.5 | DO-34       |
| MTZJ7V5A    | 500            | 2.7       | 7.0                              | 5               | 20                                | 120                               | 0.50 | 0.5                             | 4   | DO-34       |
| MTZJ7V5B    | 500            | 2.6       | 7.3                              | 5               | 20                                | 120                               | 0.50 | 0.5                             | 4   | DO-34       |
| MTZJ7V5C    | 500            | 2.5       | 7.5                              | 5               | 20                                | 120                               | 0.50 | 0.5                             | 4   | DO-34       |
| MTZJ8V2A    | 500            | 2.6       | 7.7                              | 5               | 20                                | 120                               | 0.50 | 0.5                             | 5   | DO-34       |
| MTZJ8V2B    | 500            | 2.6       | 8.0                              | 5               | 20                                | 120                               | 0.50 | 0.5                             | 5   | DO-34       |
| MTZJ8V2C    | 500            | 2.5       | 8.2                              | 5               | 20                                | 120                               | 0.50 | 0.5                             | 5   | DO-34       |
| MTZJ9V1A    | 500            | 2.6       | 8.5                              | 5               | 25                                | 120                               | 0.50 | 0.5                             | 6   | DO-34       |
| MTZJ9V1B    | 500            | 2.5       | 8.8                              | 5               | 25                                | 120                               | 0.50 | 0.5                             | 6   | DO-34       |
| MTZJ9V1C    | 500            | 2.6       | 9.1                              | 5               | 25                                | 120                               | 0.50 | 0.5                             | 6   | DO-34       |
| MTZJ10A     | 500            | 2.6       | 9.4                              | 5               | 30                                | 120                               | 0.50 | 0.2                             | 7   | DO-34       |
| MTZJ10B     | 500            | 2.6       | 9.7                              | 5               | 30                                | 120                               | 0.50 | 0.2                             | 7   | DO-34       |
| MTZJ10C     | 500            | 2.5       | 10.0                             | 5               | 30                                | 120                               | 0.50 | 0.2                             | 7   | DO-34       |
| MTZJ10D     | 500            | 2.5       | 10.2                             | 5               | 30                                | 120                               | 0.50 | 0.2                             | 7   | DO-34       |
| MTZJ11A     | 500            | 2.6       | 10.5                             | 5               | 30                                | 120                               | 0.50 | 0.2                             | 8   | DO-34       |
| MTZJ11B     | 500            | 2.6       | 10.8                             | 5               | 30                                | 120                               | 0.50 | 0.2                             | 8   | DO-34       |
| MTZJ11C     | 500            | 2.5       | 11.1                             | 5               | 30                                | 120                               | 0.50 | 0.2                             | 8   | DO-34       |
| MTZJ12A     | 500            | 2.5       | 11.4                             | 5               | 30                                | 110                               | 0.50 | 0.2                             | 9   | DO-34       |
| MTZJ12B     | 500            | 2.6       | 11.7                             | 5               | 30                                | 110                               | 0.50 | 0.2                             | 9   | DO-34       |
| MTZJ12C     | 500            | 2.6       | 12.1                             | 5               | 30                                | 110                               | 0.50 | 0.2                             | 9   | DO-34       |
| MTZJ13A     | 500            | 2.6       | 12.4                             | 5               | 35                                | 110                               | 0.50 | 0.2                             | 10  | DO-34       |
| MTZJ13B     | 500            | 2.6       | 12.9                             | 5               | 35                                | 110                               | 0.50 | 0.2                             | 10  | DO-34       |
| MTZJ13C     | 500            | 2.6       | 13.3                             | 5               | 35                                | 110                               | 0.50 | 0.2                             | 10  | DO-34       |
| MTZJ15A     | 500            | 2.5       | 13.8                             | 5               | 40                                | 110                               | 0.50 | 0.2                             | 11  | DO-34       |
| MTZJ15B     | 500            | 2.6       | 14.3                             | 5               | 40                                | 110                               | 0.50 | 0.2                             | 11  | DO-34       |
| MTZJ15C     | 500            | 2.5       | 14.7                             | 5               | 40                                | 110                               | 0.50 | 0.2                             | 11  | DO-34       |
| MTZJ16A     | 500            | 2.6       | 15.2                             | 5               | 40                                | 150                               | 0.50 | 0.2                             | 12  | DO-34       |
| MTZJ16B     | 500            | 2.6       | 15.7                             | 5               | 40                                | 150                               | 0.50 | 0.2                             | 12  | DO-34       |
| MTZJ16C     | 500            | 2.5       | 16.1                             | 5               | 40                                | 150                               | 0.50 | 0.2                             | 12  | DO-34       |
| MTZJ18A     | 500            | 2.5       | 16.6                             | 5               | 45                                | 150                               | 0.50 | 0.2                             | 13  | DO-34       |
| MTZJ18B     | 500            | 2.5       | 17.3                             | 5               | 45                                | 150                               | 0.50 | 0.2                             | 13  | DO-34       |
| MTZJ18C     | 500            | 2.6       | 17.9                             | 5               | 45                                | 150                               | 0.50 | 0.2                             | 13  | DO-34       |
| MTZJ20A     | 500            | 2.2       | 18.5                             | 5               | 55                                | 200                               | 0.50 | 0.2                             | 15  | DO-34       |
| MTZJ20B     | 500            | 2.5       | 19.1                             | 5               | 55                                | 200                               | 0.50 | 0.2                             | 15  | DO-34       |
| MTZJ20C     | 500            | 2.5       | 19.7                             | 5               | 55                                | 200                               | 0.50 | 0.2                             | 15  | DO-34       |
| MTZJ20D     | 500            | 2.5       | 20.2                             | 5               | 55                                | 200                               | 0.50 | 0.2                             | 15  | DO-34       |



## DIODES - ZENER

| Part Number | P <sub>D</sub> | Tolerance | V <sub>Z</sub> @ I <sub>ZT</sub> | I <sub>ZT</sub> | Z <sub>ZT</sub> @ I <sub>ZT</sub> | Z <sub>ZK</sub> @ I <sub>ZK</sub> |      | I <sub>R</sub> @ V <sub>R</sub> |     | Package     |
|-------------|----------------|-----------|----------------------------------|-----------------|-----------------------------------|-----------------------------------|------|---------------------------------|-----|-------------|
|             | (mW)           | +/- (%)   | (V)                              | (mA)            | (Ω)                               | (Ω)                               | (mA) | (μA)                            | (V) | Description |
| MTZJ22A     | 500            | 2.2       | 20.7                             | 5               | 30                                | 200                               | 0.50 | 0.2                             | 17  | DO-34       |
| MTZJ22B     | 500            | 2.5       | 21.2                             | 5               | 30                                | 200                               | 0.50 | 0.2                             | 17  | DO-34       |
| MTZJ22C     | 500            | 2.5       | 21.6                             | 5               | 30                                | 200                               | 0.50 | 0.2                             | 17  | DO-34       |
| MTZJ22D     | 500            | 2.5       | 22.1                             | 5               | 30                                | 200                               | 0.50 | 0.2                             | 17  | DO-34       |
| MTZJ24A     | 500            | 2.5       | 22.6                             | 5               | 35                                | 200                               | 0.50 | 0.2                             | 19  | DO-34       |
| MTZJ24B     | 500            | 2.5       | 23.2                             | 5               | 35                                | 200                               | 0.50 | 0.2                             | 19  | DO-34       |
| MTZJ24C     | 500            | 2.5       | 23.7                             | 5               | 35                                | 200                               | 0.50 | 0.2                             | 19  | DO-34       |
| MTZJ24D     | 500            | 2.5       | 24.2                             | 5               | 35                                | 200                               | 0.50 | 0.2                             | 19  | DO-34       |
| MTZJ27A     | 500            | 2.5       | 24.9                             | 5               | 45                                | 250                               | 0.50 | 0.2                             | 21  | DO-34       |
| MTZJ27B     | 500            | 2.5       | 25.6                             | 5               | 45                                | 250                               | 0.50 | 0.2                             | 21  | DO-34       |
| MTZJ27C     | 500            | 2.5       | 26.3                             | 5               | 45                                | 250                               | 0.50 | 0.2                             | 21  | DO-34       |
| MTZJ27D     | 500            | 2.5       | 27.0                             | 5               | 45                                | 250                               | 0.50 | 0.2                             | 21  | DO-34       |
| MTZJ30A     | 500            | 2.5       | 27.7                             | 5               | 55                                | 250                               | 0.50 | 0.2                             | 23  | DO-34       |
| MTZJ30B     | 500            | 2.5       | 28.4                             | 5               | 55                                | 250                               | 0.50 | 0.2                             | 23  | DO-34       |
| MTZJ30C     | 500            | 2.5       | 29.1                             | 5               | 55                                | 250                               | 0.50 | 0.2                             | 23  | DO-34       |
| MTZJ30D     | 500            | 2.5       | 29.8                             | 5               | 55                                | 250                               | 0.50 | 0.2                             | 23  | DO-34       |
| MTZJ33A     | 500            | 2.5       | 30.5                             | 5               | 65                                | 250                               | 0.50 | 0.2                             | 25  | DO-34       |
| MTZJ33B     | 500            | 2.5       | 31.1                             | 5               | 65                                | 250                               | 0.50 | 0.2                             | 25  | DO-34       |
| MTZJ33C     | 500            | 2.5       | 31.7                             | 5               | 65                                | 250                               | 0.50 | 0.2                             | 25  | DO-34       |
| MTZJ33D     | 500            | 2.5       | 32.3                             | 5               | 65                                | 250                               | 0.50 | 0.2                             | 25  | DO-34       |
| MTZJ36A     | 500            | 2.5       | 33.0                             | 5               | 75                                | 250                               | 0.50 | 0.2                             | 27  | DO-34       |
| MTZJ36B     | 500            | 2.5       | 33.6                             | 5               | 75                                | 250                               | 0.50 | 0.2                             | 27  | DO-34       |
| MTZJ36C     | 500            | 2.5       | 34.3                             | 5               | 75                                | 250                               | 0.50 | 0.2                             | 27  | DO-34       |
| MTZJ36D     | 500            | 2.5       | 34.9                             | 5               | 75                                | 250                               | 0.50 | 0.2                             | 27  | DO-34       |
| MTZJ39A     | 500            | 2.5       | 35.6                             | 5               | 85                                | 250                               | 0.50 | 0.2                             | 30  | DO-34       |
| MTZJ39B     | 500            | 2.5       | 36.3                             | 5               | 85                                | 250                               | 0.50 | 0.2                             | 30  | DO-34       |
| MTZJ39C     | 500            | 2.5       | 36.9                             | 5               | 85                                | 250                               | 0.50 | 0.2                             | 30  | DO-34       |
| MTZJ39D     | 500            | 2.5       | 37.6                             | 5               | 85                                | 250                               | 0.50 | 0.2                             | 30  | DO-34       |
| 1N5221B     | 500            | 5         | 2.4                              | 20              | 30                                | 1200                              | 0.25 | 100                             | 1   | DO-35       |
| 1N5222B     | 500            | 5         | 2.5                              | 20              | 30                                | 1250                              | 0.25 | 100                             | 1   | DO-35       |
| 1N5223B     | 500            | 5         | 2.7                              | 20              | 30                                | 1300                              | 0.25 | 75                              | 1   | DO-35       |
| 1N5224B     | 500            | 5         | 2.8                              | 20              | 30                                | 1400                              | 0.25 | 75                              | 1   | DO-35       |
| 1N5225B     | 500            | 5         | 3.0                              | 20              | 29                                | 1600                              | 0.25 | 50                              | 1   | DO-35       |
| 1N5226B     | 500            | 5         | 3.3                              | 20              | 28                                | 1600                              | 0.25 | 25                              | 1   | DO-35       |
| 1N5227B     | 500            | 5         | 3.6                              | 20              | 24                                | 1700                              | 0.25 | 15                              | 1   | DO-35       |
| 1N5228B     | 500            | 5         | 3.9                              | 20              | 23                                | 1900                              | 0.25 | 10                              | 1   | DO-35       |
| 1N5229B     | 500            | 5         | 4.3                              | 20              | 22                                | 2000                              | 0.25 | 5                               | 1   | DO-35       |
| 1N5230B     | 500            | 5         | 4.7                              | 20              | 19                                | 1900                              | 0.25 | 5                               | 2   | DO-35       |
| 1N5231B     | 500            | 5         | 5.1                              | 20              | 17                                | 1600                              | 0.25 | 5                               | 2   | DO-35       |
| 1N5232B     | 500            | 5         | 5.6                              | 20              | 11                                | 1600                              | 0.25 | 5                               | 3   | DO-35       |
| 1N5233B     | 500            | 5         | 6.0                              | 20              | 7                                 | 1600                              | 0.25 | 5                               | 3.5 | DO-35       |
| 1N5234B     | 500            | 5         | 6.2                              | 20              | 7                                 | 1000                              | 0.25 | 5                               | 4   | DO-35       |
| 1N5235B     | 500            | 5         | 6.8                              | 20              | 5                                 | 750                               | 0.25 | 3                               | 5   | DO-35       |
| 1N5236B     | 500            | 5         | 7.5                              | 20              | 6                                 | 500                               | 0.25 | 3                               | 6   | DO-35       |
| 1N5237B     | 500            | 5         | 8.2                              | 20              | 8                                 | 500                               | 0.25 | 3                               | 6.5 | DO-35       |
| 1N5238B     | 500            | 5         | 8.7                              | 20              | 8                                 | 600                               | 0.25 | 3                               | 6.5 | DO-35       |
| 1N5239B     | 500            | 5         | 9.1                              | 20              | 10                                | 600                               | 0.25 | 3                               | 7   | DO-35       |

## DIODES - ZENER

| Part Number | P <sub>D</sub> | Tolerance | V <sub>Z</sub> @ I <sub>ZT</sub> | I <sub>ZT</sub> | Z <sub>ZT</sub> @ I <sub>ZT</sub> | Z <sub>ZK</sub> @ I <sub>ZK</sub> |      | I <sub>R</sub> @ V <sub>R</sub> |     | Package     |
|-------------|----------------|-----------|----------------------------------|-----------------|-----------------------------------|-----------------------------------|------|---------------------------------|-----|-------------|
|             | (mW)           | +/- (%)   | (V)                              | (mA)            | (Ω)                               | (Ω)                               | (mA) | (μA)                            | (V) | Description |
| 1N5240B     | 500            | 5         | 10.0                             | 20              | 17                                | 600                               | 0.25 | 2                               | 8   | DO-35       |
| 1N5241B     | 500            | 5         | 11.0                             | 20              | 22                                | 600                               | 0.25 | 1                               | 8.4 | DO-35       |
| 1N5242B     | 500            | 5         | 12.0                             | 20              | 30                                | 600                               | 0.25 | 0.5                             | 9   | DO-35       |
| 1N5243B     | 500            | 5         | 13.0                             | 9.5             | 13                                | 600                               | 0.25 | 0.1                             | 10  | DO-35       |
| 1N5244B     | 500            | 5         | 14.0                             | 9               | 15                                | 600                               | 0.25 | 0.1                             | 10  | DO-35       |
| 1N5245B     | 500            | 5         | 15.0                             | 8.5             | 16                                | 600                               | 0.25 | 0.1                             | 11  | DO-35       |
| 1N5246B     | 500            | 5         | 16.0                             | 7.8             | 17                                | 600                               | 0.25 | 0.1                             | 12  | DO-35       |
| 1N5247B     | 500            | 5         | 17.0                             | 7.4             | 19                                | 600                               | 0.25 | 0.1                             | 13  | DO-35       |
| 1N5248B     | 500            | 5         | 18.0                             | 7               | 21                                | 600                               | 0.25 | 0.1                             | 14  | DO-35       |
| 1N5249B     | 500            | 5         | 19.0                             | 6.6             | 23                                | 600                               | 0.25 | 0.1                             | 14  | DO-35       |
| 1N5250B     | 500            | 5         | 20.0                             | 6.2             | 25                                | 600                               | 0.25 | 0.1                             | 15  | DO-35       |
| 1N5251B     | 500            | 5         | 22.0                             | 5.6             | 29                                | 600                               | 0.25 | 0.1                             | 17  | DO-35       |
| 1N5252B     | 500            | 5         | 24.0                             | 5.2             | 33                                | 600                               | 0.25 | 0.1                             | 18  | DO-35       |
| 1N5253B     | 500            | 5         | 25.0                             | 5               | 35                                | 600                               | 0.25 | 0.1                             | 18  | DO-35       |
| 1N5254B     | 500            | 5         | 27.0                             | 4.6             | 41                                | 600                               | 0.25 | 0.1                             | 21  | DO-35       |
| 1N5255B     | 500            | 5         | 28.0                             | 4.5             | 44                                | 600                               | 0.25 | 0.1                             | 21  | DO-35       |
| 1N5256B     | 500            | 5         | 30.0                             | 4.2             | 49                                | 600                               | 0.25 | 0.1                             | 23  | DO-35       |
| 1N5257B     | 500            | 5         | 33.0                             | 3.8             | 58                                | 700                               | 0.25 | 0.1                             | 25  | DO-35       |
| 1N5258B     | 500            | 5         | 36.0                             | 3.4             | 70                                | 700                               | 0.25 | 0.1                             | 27  | DO-35       |
| 1N5259B     | 500            | 5         | 39.0                             | 3.2             | 80                                | 800                               | 0.25 | 0.1                             | 30  | DO-35       |
| 1N5260B     | 500            | 5         | 43.0                             | 3               | 93                                | 900                               | 0.25 | 0.1                             | 33  | DO-35       |
| 1N5261B     | 500            | 5         | 47.0                             | 2.7             | 105                               | 1000                              | 0.25 | 0.1                             | 36  | DO-35       |
| 1N5262B     | 500            | 5         | 51.0                             | 2.5             | 125                               | 1100                              | 0.25 | 0.1                             | 39  | DO-35       |
| 1N5263B     | 500            | 5         | 56.0                             | 2.2             | 150                               | 1300                              | 0.25 | 0.1                             | 43  | DO-35       |
| BZX55B2V4   | 500            | 2         | 2.4                              | 5               | 85                                | 600                               | 1.00 | 50                              | 1   | DO-35       |
| BZX55B2V7   | 500            | 2         | 2.7                              | 5               | 85                                | 600                               | 1.00 | 10                              | 1   | DO-35       |
| BZX55B3V0   | 500            | 2         | 3.0                              | 5               | 85                                | 600                               | 1.00 | 4                               | 1   | DO-35       |
| BZX55B3V3   | 500            | 2         | 3.3                              | 5               | 85                                | 600                               | 1.00 | 2                               | 1   | DO-35       |
| BZX55B3V6   | 500            | 2         | 3.6                              | 5               | 85                                | 600                               | 1.00 | 2                               | 1   | DO-35       |
| BZX55B3V9   | 500            | 2         | 3.9                              | 5               | 85                                | 600                               | 1.00 | 2                               | 1   | DO-35       |
| BZX55B4V3   | 500            | 2         | 4.3                              | 5               | 75                                | 600                               | 1.00 | 1                               | 1   | DO-35       |
| BZX55B4V7   | 500            | 2         | 4.7                              | 5               | 60                                | 600                               | 1.00 | 0.5                             | 1   | DO-35       |
| BZX55B5V1   | 500            | 2         | 5.1                              | 5               | 35                                | 550                               | 1.00 | 0.1                             | 1   | DO-35       |
| BZX55B5V6   | 500            | 2         | 5.6                              | 5               | 25                                | 450                               | 1.00 | 0.1                             | 1   | DO-35       |
| BZX55B6V2   | 500            | 2         | 6.2                              | 5               | 10                                | 200                               | 1.00 | 0.1                             | 2   | DO-35       |
| BZX55B6V8   | 500            | 2         | 6.8                              | 5               | 8                                 | 150                               | 1.00 | 0.1                             | 3   | DO-35       |
| BZX55B7V5   | 500            | 2         | 7.5                              | 5               | 7                                 | 50                                | 1.00 | 0.1                             | 5   | DO-35       |
| BZX55B8V2   | 500            | 2         | 8.2                              | 5               | 7                                 | 50                                | 1.00 | 0.1                             | 6.2 | DO-35       |
| BZX55B9V1   | 500            | 2         | 9.1                              | 5               | 10                                | 50                                | 1.00 | 0.1                             | 6.8 | DO-35       |
| BZX55B10    | 500            | 2         | 10.0                             | 5               | 15                                | 70                                | 1.00 | 0.1                             | 7.5 | DO-35       |
| BZX55B11    | 500            | 2         | 11.0                             | 5               | 20                                | 70                                | 1.00 | 0.1                             | 8.2 | DO-35       |
| BZX55B12    | 500            | 2         | 12.0                             | 5               | 20                                | 90                                | 1.00 | 0.1                             | 9.1 | DO-35       |
| BZX55B13    | 500            | 2         | 13.0                             | 5               | 26                                | 110                               | 1.00 | 0.1                             | 10  | DO-35       |
| BZX55B15    | 500            | 2         | 15.0                             | 5               | 30                                | 110                               | 1.00 | 0.1                             | 11  | DO-35       |
| BZX55B16    | 500            | 2         | 16.0                             | 5               | 40                                | 170                               | 1.00 | 0.1                             | 12  | DO-35       |
| BZX55B18    | 500            | 2         | 18.0                             | 5               | 50                                | 170                               | 1.00 | 0.1                             | 14  | DO-35       |
| BZX55B20    | 500            | 2         | 20.0                             | 5               | 55                                | 220                               | 1.00 | 0.1                             | 15  | DO-35       |

## DIODES - ZENER

| Part Number | P <sub>D</sub> | Tolerance | V <sub>Z</sub> @ I <sub>ZT</sub> | I <sub>ZT</sub> | Z <sub>ZT</sub> @ I <sub>ZT</sub> | Z <sub>ZK</sub> @ I <sub>ZK</sub> |      | I <sub>R</sub> @ V <sub>R</sub> |     | Package     |
|-------------|----------------|-----------|----------------------------------|-----------------|-----------------------------------|-----------------------------------|------|---------------------------------|-----|-------------|
|             | (mW)           | +/- (%)   | (V)                              | (mA)            | (Ω)                               | (Ω)                               | (mA) | (μA)                            | (V) | Description |
| BZX55B22    | 500            | 2         | 22.0                             | 5               | 55                                | 220                               | 1.00 | 0.1                             | 17  | DO-35       |
| BZX55B24    | 500            | 2         | 24.0                             | 5               | 80                                | 220                               | 1.00 | 0.1                             | 18  | DO-35       |
| BZX55B27    | 500            | 2         | 27.0                             | 5               | 80                                | 220                               | 1.00 | 0.1                             | 20  | DO-35       |
| BZX55B30    | 500            | 2         | 30.0                             | 5               | 80                                | 220                               | 1.00 | 0.1                             | 22  | DO-35       |
| BZX55B33    | 500            | 2         | 33.0                             | 5               | 80                                | 220                               | 1.00 | 0.1                             | 24  | DO-35       |
| BZX55B36    | 500            | 2         | 36.0                             | 5               | 80                                | 220                               | 1.00 | 0.1                             | 27  | DO-35       |
| BZX55B39    | 500            | 2         | 39.0                             | 2.5             | 90                                | 500                               | 0.50 | 0.1                             | 28  | DO-35       |
| BZX55B43    | 500            | 2         | 43.0                             | 2.5             | 90                                | 600                               | 0.50 | 0.1                             | 32  | DO-35       |
| BZX55B47    | 500            | 2         | 47.0                             | 2.5             | 110                               | 700                               | 0.50 | 0.1                             | 35  | DO-35       |
| BZX55B51    | 500            | 2         | 51.0                             | 2.5             | 125                               | 700                               | 0.50 | 0.1                             | 38  | DO-35       |
| BZX55B56    | 500            | 2         | 56.0                             | 2.5             | 135                               | 1000                              | 0.50 | 0.1                             | 42  | DO-35       |
| BZX55B62    | 500            | 2         | 62.0                             | 2.5             | 150                               | 1000                              | 0.50 | 0.1                             | 47  | DO-35       |
| BZX55B68    | 500            | 2         | 68.0                             | 2.5             | 160                               | 1000                              | 0.50 | 0.1                             | 51  | DO-35       |
| BZX55B75    | 500            | 2         | 75.0                             | 2.5             | 170                               | 1000                              | 0.50 | 0.1                             | 56  | DO-35       |
| BZX55C2V0   | 500            | 5         | 2.0                              | 5               | 100                               | 600                               | 1.00 | 100                             | 1   | DO-35       |
| BZX55C2V2   | 500            | 5         | 2.2                              | 5               | 100                               | 600                               | 1.00 | 100                             | 1   | DO-35       |
| BZX55C2V4   | 500            | 5         | 2.4                              | 5               | 85                                | 600                               | 1.00 | 50                              | 1   | DO-35       |
| BZX55C2V7   | 500            | 5         | 2.7                              | 5               | 85                                | 600                               | 1.00 | 10                              | 1   | DO-35       |
| BZX55C3V0   | 500            | 5         | 3.0                              | 5               | 85                                | 600                               | 1.00 | 4                               | 1   | DO-35       |
| BZX55C3V3   | 500            | 5         | 3.3                              | 5               | 85                                | 600                               | 1.00 | 2                               | 1   | DO-35       |
| BZX55C3V6   | 500            | 5         | 3.6                              | 5               | 85                                | 600                               | 1.00 | 2                               | 1   | DO-35       |
| BZX55C3V9   | 500            | 5         | 3.9                              | 5               | 85                                | 600                               | 1.00 | 2                               | 1   | DO-35       |
| BZX55C4V3   | 500            | 5         | 4.3                              | 5               | 75                                | 600                               | 1.00 | 1                               | 1   | DO-35       |
| BZX55C4V7   | 500            | 5         | 4.7                              | 5               | 60                                | 600                               | 1.00 | 0.5                             | 1   | DO-35       |
| BZX55C5V1   | 500            | 5         | 5.1                              | 5               | 35                                | 550                               | 1.00 | 0.1                             | 1   | DO-35       |
| BZX55C5V6   | 500            | 5         | 5.6                              | 5               | 25                                | 450                               | 1.00 | 0.1                             | 1   | DO-35       |
| BZX55C6V2   | 500            | 5         | 6.2                              | 5               | 10                                | 200                               | 1.00 | 0.1                             | 2   | DO-35       |
| BZX55C6V8   | 500            | 5         | 6.8                              | 5               | 8                                 | 150                               | 1.00 | 0.1                             | 3   | DO-35       |
| BZX55C7V5   | 500            | 5         | 7.5                              | 5               | 7                                 | 50                                | 1.00 | 0.1                             | 5   | DO-35       |
| BZX55C8V2   | 500            | 5         | 8.2                              | 5               | 7                                 | 50                                | 1.00 | 0.1                             | 6.2 | DO-35       |
| BZX55C9V1   | 500            | 5         | 9.1                              | 5               | 10                                | 50                                | 1.00 | 0.1                             | 6.8 | DO-35       |
| BZX55C10    | 500            | 5         | 10.0                             | 5               | 15                                | 70                                | 1.00 | 0.1                             | 7.5 | DO-35       |
| BZX55C11    | 500            | 5         | 11.0                             | 5               | 20                                | 70                                | 1.00 | 0.1                             | 8.2 | DO-35       |
| BZX55C12    | 500            | 5         | 12.0                             | 5               | 20                                | 90                                | 1.00 | 0.1                             | 9.1 | DO-35       |
| BZX55C13    | 500            | 5         | 13.0                             | 5               | 26                                | 110                               | 1.00 | 0.1                             | 10  | DO-35       |
| BZX55C15    | 500            | 5         | 15.0                             | 5               | 30                                | 110                               | 1.00 | 0.1                             | 11  | DO-35       |
| BZX55C16    | 500            | 5         | 16.0                             | 5               | 40                                | 170                               | 1.00 | 0.1                             | 12  | DO-35       |
| BZX55C18    | 500            | 5         | 18.0                             | 5               | 50                                | 170                               | 1.00 | 0.1                             | 14  | DO-35       |
| BZX55C20    | 500            | 5         | 20.0                             | 5               | 55                                | 220                               | 1.00 | 0.1                             | 15  | DO-35       |
| BZX55C22    | 500            | 5         | 22.0                             | 5               | 55                                | 220                               | 1.00 | 0.1                             | 17  | DO-35       |
| BZX55C24    | 500            | 5         | 24.0                             | 5               | 80                                | 220                               | 1.00 | 0.1                             | 18  | DO-35       |
| BZX55C27    | 500            | 5         | 27.0                             | 5               | 80                                | 220                               | 1.00 | 0.1                             | 20  | DO-35       |
| BZX55C30    | 500            | 5         | 30.0                             | 5               | 80                                | 220                               | 1.00 | 0.1                             | 22  | DO-35       |
| BZX55C33    | 500            | 5         | 33.0                             | 5               | 80                                | 220                               | 1.00 | 0.1                             | 24  | DO-35       |
| BZX55C36    | 500            | 5         | 36.0                             | 5               | 80                                | 220                               | 1.00 | 0.1                             | 27  | DO-35       |
| BZX55C39    | 500            | 5         | 39.0                             | 2.5             | 90                                | 500                               | 0.50 | 0.1                             | 28  | DO-35       |
| BZX55C43    | 500            | 5         | 43.0                             | 2.5             | 90                                | 600                               | 0.50 | 0.1                             | 32  | DO-35       |

## DIODES - ZENER

| Part Number | P <sub>D</sub> | Tolerance | V <sub>Z</sub> @ I <sub>ZT</sub> | I <sub>ZT</sub> | Z <sub>ZT</sub> @ I <sub>ZT</sub> | Z <sub>ZK</sub> @ I <sub>ZK</sub> |      | I <sub>R</sub> @ V <sub>R</sub> |      | Package     |
|-------------|----------------|-----------|----------------------------------|-----------------|-----------------------------------|-----------------------------------|------|---------------------------------|------|-------------|
|             | (mW)           | +/- (%)   | (V)                              | (mA)            | (Ω)                               | (Ω)                               | (mA) | (μA)                            | (V)  | Description |
| BZX55C47    | 500            | 5         | 47.0                             | 2.5             | 110                               | 700                               | 0.50 | 0.1                             | 35   | DO-35       |
| BZX55C51    | 500            | 5         | 51.0                             | 2.5             | 125                               | 700                               | 0.50 | 0.1                             | 38   | DO-35       |
| BZX55C56    | 500            | 5         | 56.0                             | 2.5             | 135                               | 1000                              | 0.50 | 0.1                             | 42   | DO-35       |
| BZX55C62    | 500            | 5         | 62.0                             | 2.5             | 150                               | 1000                              | 0.50 | 0.1                             | 47   | DO-35       |
| BZX55C68    | 500            | 5         | 68.0                             | 2.5             | 160                               | 1000                              | 0.50 | 0.1                             | 51   | DO-35       |
| BZX55C75    | 500            | 5         | 75.0                             | 2.5             | 170                               | 1000                              | 0.50 | 0.1                             | 56   | DO-35       |
| BZX79B2V4   | 500            | 2         | 2.4                              | 5               | 100                               | 600                               | 1.00 | 100                             | 1    | DO-35       |
| BZX79B2V7   | 500            | 2         | 2.7                              | 5               | 100                               | 600                               | 1.00 | 75                              | 1    | DO-35       |
| BZX79B3V0   | 500            | 2         | 3.0                              | 5               | 95                                | 600                               | 1.00 | 50                              | 1    | DO-35       |
| BZX79B3V3   | 500            | 2         | 3.3                              | 5               | 95                                | 600                               | 1.00 | 25                              | 1    | DO-35       |
| BZX79B3V6   | 500            | 2         | 3.6                              | 5               | 90                                | 600                               | 1.00 | 15                              | 1    | DO-35       |
| BZX79B3V9   | 500            | 2         | 3.9                              | 5               | 90                                | 600                               | 1.00 | 10                              | 1    | DO-35       |
| BZX79B4V3   | 500            | 2         | 4.3                              | 5               | 90                                | 600                               | 1.00 | 5                               | 1    | DO-35       |
| BZX79B4V7   | 500            | 2         | 4.7                              | 5               | 80                                | 500                               | 1.00 | 3                               | 2    | DO-35       |
| BZX79B5V1   | 500            | 2         | 5.1                              | 5               | 60                                | 480                               | 1.00 | 2                               | 2    | DO-35       |
| BZX79B5V6   | 500            | 2         | 5.6                              | 5               | 40                                | 400                               | 1.00 | 1                               | 2    | DO-35       |
| BZX79B6V2   | 500            | 2         | 6.2                              | 5               | 10                                | 150                               | 1.00 | 3                               | 4    | DO-35       |
| BZX79B6V8   | 500            | 2         | 6.8                              | 5               | 15                                | 80                                | 1.00 | 2                               | 4    | DO-35       |
| BZX79B7V5   | 500            | 2         | 7.5                              | 5               | 15                                | 80                                | 1.00 | 1                               | 5    | DO-35       |
| BZX79B8V2   | 500            | 2         | 8.2                              | 5               | 15                                | 80                                | 1.00 | 0.7                             | 5    | DO-35       |
| BZX79B9V1   | 500            | 2         | 9.1                              | 5               | 15                                | 100                               | 1.00 | 0.5                             | 6    | DO-35       |
| BZX79B10    | 500            | 2         | 10.0                             | 5               | 20                                | 150                               | 1.00 | 0.2                             | 7    | DO-35       |
| BZX79B11    | 500            | 2         | 11.0                             | 5               | 20                                | 150                               | 1.00 | 0.1                             | 8    | DO-35       |
| BZX79B12    | 500            | 2         | 12.0                             | 5               | 25                                | 150                               | 1.00 | 0.1                             | 8    | DO-35       |
| BZX79B13    | 500            | 2         | 13.0                             | 5               | 30                                | 170                               | 1.00 | 0.1                             | 8    | DO-35       |
| BZX79B15    | 500            | 2         | 15.0                             | 5               | 30                                | 200                               | 1.00 | 0.05                            | 10.5 | DO-35       |
| BZX79B16    | 500            | 2         | 16.0                             | 5               | 40                                | 200                               | 1.00 | 0.05                            | 11.2 | DO-35       |
| BZX79B18    | 500            | 2         | 18.0                             | 5               | 45                                | 225                               | 1.00 | 0.05                            | 12.6 | DO-35       |
| BZX79B20    | 500            | 2         | 20.0                             | 5               | 55                                | 225                               | 1.00 | 0.05                            | 14   | DO-35       |
| BZX79B22    | 500            | 2         | 22.0                             | 5               | 55                                | 250                               | 1.00 | 0.05                            | 15.4 | DO-35       |
| BZX79B24    | 500            | 2         | 24.0                             | 5               | 70                                | 250                               | 1.00 | 0.05                            | 16.8 | DO-35       |
| BZX79B27    | 500            | 2         | 27.0                             | 2               | 80                                | 300                               | 0.50 | 0.05                            | 18.9 | DO-35       |
| BZX79B30    | 500            | 2         | 30.0                             | 2               | 80                                | 300                               | 0.50 | 0.05                            | 21   | DO-35       |
| BZX79B33    | 500            | 2         | 33.0                             | 2               | 80                                | 325                               | 0.50 | 0.05                            | 23.1 | DO-35       |
| BZX79B36    | 500            | 2         | 36.0                             | 2               | 90                                | 350                               | 0.50 | 0.05                            | 25.2 | DO-35       |
| BZX79B39    | 500            | 2         | 39.0                             | 2               | 130                               | 350                               | 0.50 | 0.05                            | 27.3 | DO-35       |
| BZX79B43    | 500            | 2         | 43.0                             | 2               | 150                               | 375                               | 0.50 | 0.05                            | 30.1 | DO-35       |
| BZX79B47    | 500            | 2         | 47.0                             | 2               | 170                               | 375                               | 0.50 | 0.05                            | 32.9 | DO-35       |
| BZX79B51    | 500            | 2         | 51.0                             | 2               | 180                               | 400                               | 0.50 | 0.05                            | 35.7 | DO-35       |
| BZX79B56    | 500            | 2         | 56.0                             | 2               | 200                               | 425                               | 0.50 | 0.05                            | 39.2 | DO-35       |
| BZX79B62    | 500            | 2         | 62.0                             | 2.5             | 215                               | 430                               | 0.50 | 0.05                            | 43.4 | DO-35       |
| BZX79B68    | 500            | 2         | 68.0                             | 2.5             | 240                               | 447                               | 0.50 | 0.05                            | 47.6 | DO-35       |
| BZX79B75    | 500            | 2         | 75.0                             | 2.5             | 255                               | 470                               | 0.50 | 0.05                            | 52.5 | DO-35       |
| BZX79C2V0   | 500            | 5         | 2.0                              | 5               | 100                               | 600                               | 1.00 | 150                             | 1    | DO-35       |
| BZX79C2V2   | 500            | 5         | 2.2                              | 5               | 100                               | 600                               | 1.00 | 150                             | 1    | DO-35       |
| BZX79C2V4   | 500            | 5         | 2.4                              | 5               | 100                               | 600                               | 1.00 | 100                             | 1    | DO-35       |
| BZX79C2V7   | 500            | 5         | 2.7                              | 5               | 100                               | 600                               | 1.00 | 75                              | 1    | DO-35       |

## DIODES - ZENER

| Part Number | P <sub>D</sub> | Tolerance | V <sub>Z</sub> @ I <sub>ZT</sub> | I <sub>ZT</sub> | Z <sub>ZT</sub> @ I <sub>ZT</sub> | Z <sub>ZK</sub> @ I <sub>ZK</sub> |      | I <sub>R</sub> @ V <sub>R</sub> |      | Package     |
|-------------|----------------|-----------|----------------------------------|-----------------|-----------------------------------|-----------------------------------|------|---------------------------------|------|-------------|
|             | (mW)           | +/- (%)   | (V)                              | (mA)            | (Ω)                               | (Ω)                               | (mA) | (μA)                            | (V)  | Description |
| BZX79C3V0   | 500            | 5         | 3.0                              | 5               | 95                                | 600                               | 1.00 | 50                              | 1    | DO-35       |
| BZX79C3V3   | 500            | 5         | 3.3                              | 5               | 95                                | 600                               | 1.00 | 25                              | 1    | DO-35       |
| BZX79C3V6   | 500            | 5         | 3.6                              | 5               | 90                                | 600                               | 1.00 | 15                              | 1    | DO-35       |
| BZX79C3V9   | 500            | 5         | 3.9                              | 5               | 90                                | 600                               | 1.00 | 10                              | 1    | DO-35       |
| BZX79C4V3   | 500            | 5         | 4.3                              | 5               | 90                                | 600                               | 1.00 | 5                               | 1    | DO-35       |
| BZX79C4V7   | 500            | 5         | 4.7                              | 5               | 80                                | 500                               | 1.00 | 3                               | 2    | DO-35       |
| BZX79C5V1   | 500            | 5         | 5.1                              | 5               | 60                                | 480                               | 1.00 | 2                               | 2    | DO-35       |
| BZX79C5V6   | 500            | 5         | 5.6                              | 5               | 40                                | 400                               | 1.00 | 1                               | 2    | DO-35       |
| BZX79C6V2   | 500            | 5         | 6.2                              | 5               | 10                                | 150                               | 1.00 | 3                               | 4    | DO-35       |
| BZX79C6V8   | 500            | 5         | 6.8                              | 5               | 15                                | 80                                | 1.00 | 2                               | 4    | DO-35       |
| BZX79C7V5   | 500            | 5         | 7.5                              | 5               | 15                                | 80                                | 1.00 | 1                               | 5    | DO-35       |
| BZX79C8V2   | 500            | 5         | 8.2                              | 5               | 15                                | 80                                | 1.00 | 0.7                             | 5    | DO-35       |
| BZX79C9V1   | 500            | 5         | 9.1                              | 5               | 15                                | 100                               | 1.00 | 0.5                             | 6    | DO-35       |
| BZX79C10    | 500            | 5         | 10.0                             | 5               | 20                                | 150                               | 1.00 | 0.2                             | 7    | DO-35       |
| BZX79C11    | 500            | 5         | 11.0                             | 5               | 20                                | 150                               | 1.00 | 0.1                             | 8    | DO-35       |
| BZX79C12    | 500            | 5         | 12.0                             | 5               | 25                                | 150                               | 1.00 | 0.1                             | 8    | DO-35       |
| BZX79C13    | 500            | 5         | 13.0                             | 5               | 30                                | 170                               | 1.00 | 0.1                             | 8    | DO-35       |
| BZX79C15    | 500            | 5         | 15.0                             | 5               | 30                                | 200                               | 1.00 | 0.05                            | 10.5 | DO-35       |
| BZX79C16    | 500            | 5         | 16.0                             | 5               | 40                                | 200                               | 1.00 | 0.05                            | 11.2 | DO-35       |
| BZX79C18    | 500            | 5         | 18.0                             | 5               | 45                                | 225                               | 1.00 | 0.05                            | 12.6 | DO-35       |
| BZX79C20    | 500            | 5         | 20.0                             | 5               | 55                                | 225                               | 1.00 | 0.05                            | 14   | DO-35       |
| BZX79C22    | 500            | 5         | 22.0                             | 5               | 55                                | 250                               | 1.00 | 0.05                            | 15.4 | DO-35       |
| BZX79C24    | 500            | 5         | 24.0                             | 5               | 70                                | 250                               | 1.00 | 0.05                            | 16.8 | DO-35       |
| BZX79C27    | 500            | 5         | 27.0                             | 2               | 80                                | 300                               | 0.50 | 0.05                            | 18.9 | DO-35       |
| BZX79C30    | 500            | 5         | 30.0                             | 2               | 80                                | 300                               | 0.50 | 0.05                            | 21   | DO-35       |
| BZX79C33    | 500            | 5         | 33.0                             | 2               | 80                                | 325                               | 0.50 | 0.05                            | 23.1 | DO-35       |
| BZX79C36    | 500            | 5         | 36.0                             | 2               | 90                                | 350                               | 0.50 | 0.05                            | 25.2 | DO-35       |
| BZX79C39    | 500            | 5         | 39.0                             | 2               | 130                               | 350                               | 0.50 | 0.05                            | 27.3 | DO-35       |
| BZX79C43    | 500            | 5         | 43.0                             | 2               | 150                               | 375                               | 0.50 | 0.05                            | 30.1 | DO-35       |
| BZX79C47    | 500            | 5         | 47.0                             | 2               | 170                               | 375                               | 0.50 | 0.05                            | 32.9 | DO-35       |
| BZX79C51    | 500            | 5         | 51.0                             | 2               | 180                               | 400                               | 0.50 | 0.05                            | 35.7 | DO-35       |
| BZX79C56    | 500            | 5         | 56.0                             | 2               | 200                               | 425                               | 0.50 | 0.05                            | 39.2 | DO-35       |
| BZX79C62    | 500            | 5         | 62.0                             | 2.5             | 215                               | 1000                              | 0.50 | 0.05                            | 43.4 | DO-35       |
| BZX79C68    | 500            | 5         | 68.0                             | 2.5             | 240                               | 1000                              | 0.50 | 0.05                            | 47.6 | DO-35       |
| BZX79C75    | 500            | 5         | 75.0                             | 2.5             | 255                               | 1000                              | 0.50 | 0.05                            | 52.5 | DO-35       |
| ZM4728A     | 1,000          | 5         | 3.3                              | 76              | 10                                | 400                               | 1.00 | 100                             | 1    | MELF        |
| ZM4729A     | 1,000          | 5         | 3.6                              | 69              | 10                                | 400                               | 1.00 | 100                             | 1    | MELF        |
| ZM4730A     | 1,000          | 5         | 3.9                              | 64              | 9                                 | 400                               | 1.00 | 50                              | 1    | MELF        |
| ZM4731A     | 1,000          | 5         | 4.3                              | 58              | 9                                 | 400                               | 1.00 | 10                              | 1    | MELF        |
| ZM4732A     | 1,000          | 5         | 4.7                              | 53              | 8                                 | 500                               | 1.00 | 10                              | 1    | MELF        |
| ZM4733A     | 1,000          | 5         | 5.1                              | 49              | 7                                 | 550                               | 1.00 | 10                              | 1    | MELF        |
| ZM4734A     | 1,000          | 5         | 5.6                              | 45              | 5                                 | 600                               | 1.00 | 10                              | 2    | MELF        |
| ZM4735A     | 1,000          | 5         | 6.2                              | 41              | 2                                 | 700                               | 1.00 | 10                              | 3    | MELF        |
| ZM4736A     | 1,000          | 5         | 6.8                              | 37              | 3.5                               | 700                               | 1.00 | 10                              | 4    | MELF        |
| ZM4737A     | 1,000          | 5         | 7.5                              | 34              | 4                                 | 700                               | 0.50 | 10                              | 5    | MELF        |
| ZM4738A     | 1,000          | 5         | 8.2                              | 31              | 4.5                               | 700                               | 0.50 | 10                              | 6    | MELF        |
| ZM4739A     | 1,000          | 5         | 9.1                              | 28              | 5                                 | 700                               | 0.50 | 10                              | 7    | MELF        |

## DIODES - ZENER

| Part Number | P <sub>D</sub> | Tolerance | V <sub>Z</sub> @ I <sub>ZT</sub> | I <sub>ZT</sub> | Z <sub>ZT</sub> @ I <sub>ZT</sub> | Z <sub>ZK</sub> @ I <sub>ZK</sub> |      | I <sub>R</sub> @ V <sub>R</sub> |      | Package     |
|-------------|----------------|-----------|----------------------------------|-----------------|-----------------------------------|-----------------------------------|------|---------------------------------|------|-------------|
|             | (mW)           | +/- (%)   | (V)                              | (mA)            | (Ω)                               | (Ω)                               | (mA) | (μA)                            | (V)  | Description |
| ZM4740A     | 1,000          | 5         | 10.0                             | 25              | 7                                 | 700                               | 0.25 | 10                              | 7.6  | MELF        |
| ZM4741A     | 1,000          | 5         | 11.0                             | 23              | 8                                 | 700                               | 0.25 | 5                               | 8.4  | MELF        |
| ZM4742A     | 1,000          | 5         | 12.0                             | 21              | 9                                 | 700                               | 0.25 | 5                               | 9.1  | MELF        |
| ZM4743A     | 1,000          | 5         | 13.0                             | 19              | 10                                | 700                               | 0.25 | 5                               | 9.9  | MELF        |
| ZM4744A     | 1,000          | 5         | 15.0                             | 17              | 14                                | 700                               | 0.25 | 5                               | 11.4 | MELF        |
| ZM4745A     | 1,000          | 5         | 16.0                             | 15.5            | 16                                | 700                               | 0.25 | 5                               | 12.2 | MELF        |
| ZM4746A     | 1,000          | 5         | 18.0                             | 14              | 20                                | 700                               | 0.25 | 5                               | 13.7 | MELF        |
| ZM4747A     | 1,000          | 5         | 20.0                             | 12.5            | 22                                | 750                               | 0.25 | 5                               | 15.2 | MELF        |
| ZM4748A     | 1,000          | 5         | 22.0                             | 11.5            | 23                                | 750                               | 0.25 | 5                               | 16.7 | MELF        |
| ZM4749A     | 1,000          | 5         | 24.0                             | 10.5            | 25                                | 750                               | 0.25 | 5                               | 18.2 | MELF        |
| ZM4750A     | 1,000          | 5         | 27.0                             | 9.5             | 35                                | 750                               | 0.25 | 5                               | 20.6 | MELF        |
| ZM4751A     | 1,000          | 5         | 30.0                             | 8.5             | 40                                | 1000                              | 0.25 | 5                               | 22.8 | MELF        |
| ZM4752A     | 1,000          | 5         | 33.0                             | 7.5             | 45                                | 1000                              | 0.25 | 5                               | 25.1 | MELF        |
| ZM4753A     | 1,000          | 5         | 36.0                             | 7               | 50                                | 1000                              | 0.25 | 5                               | 27.4 | MELF        |
| ZM4754A     | 1,000          | 5         | 39.0                             | 6.5             | 60                                | 1000                              | 0.25 | 5                               | 29.7 | MELF        |
| ZM4755A     | 1,000          | 5         | 43.0                             | 6               | 70                                | 1500                              | 0.25 | 5                               | 32.7 | MELF        |
| ZM4756A     | 1,000          | 5         | 47.0                             | 5.5             | 80                                | 1500                              | 0.25 | 5                               | 35.8 | MELF        |
| ZM4757A     | 1,000          | 5         | 51.0                             | 5               | 95                                | 1500                              | 0.25 | 5                               | 38.8 | MELF        |
| ZM4758A     | 1,000          | 5         | 56.0                             | 4.5             | 110                               | 2000                              | 0.25 | 5                               | 42.6 | MELF        |
| 1N4728G     | 1,000          | 5         | 3.3                              | 76              | 10                                | 400                               | 1.00 | 100                             | 1    | DO-41       |
| 1N4729G     | 1,000          | 5         | 3.6                              | 69              | 10                                | 400                               | 1.00 | 100                             | 1    | DO-41       |
| 1N4730G     | 1,000          | 5         | 3.9                              | 64              | 9                                 | 400                               | 1.00 | 50                              | 1    | DO-41       |
| 1N4731G     | 1,000          | 5         | 4.3                              | 58              | 9                                 | 400                               | 1.00 | 10                              | 1    | DO-41       |
| 1N4732G     | 1,000          | 5         | 4.7                              | 53              | 8                                 | 550                               | 1.00 | 10                              | 1    | DO-41       |
| 1N4733G     | 1,000          | 5         | 5.1                              | 49              | 7                                 | 600                               | 1.00 | 10                              | 1    | DO-41       |
| 1N4734G     | 1,000          | 5         | 5.6                              | 45              | 5                                 | 700                               | 1.00 | 10                              | 2    | DO-41       |
| 1N4735G     | 1,000          | 5         | 6.2                              | 41              | 2                                 | 700                               | 1.00 | 10                              | 3    | DO-41       |
| 1N4736G     | 1,000          | 5         | 6.8                              | 37              | 3.5                               | 700                               | 1.00 | 10                              | 4    | DO-41       |
| 1N4737G     | 1,000          | 5         | 7.5                              | 34              | 4                                 | 700                               | 0.50 | 10                              | 5    | DO-41       |
| 1N4738G     | 1,000          | 5         | 8.2                              | 31              | 4.5                               | 700                               | 0.50 | 10                              | 6    | DO-41       |
| 1N4739G     | 1,000          | 5         | 9.1                              | 28              | 5                                 | 700                               | 0.50 | 10                              | 7    | DO-41       |
| 1N4740G     | 1,000          | 5         | 10.0                             | 25              | 7                                 | 700                               | 0.25 | 10                              | 7.6  | DO-41       |
| 1N4741G     | 1,000          | 5         | 11.0                             | 23              | 8                                 | 700                               | 0.25 | 5                               | 8.4  | DO-41       |
| 1N4742G     | 1,000          | 5         | 12.0                             | 21              | 9                                 | 700                               | 0.25 | 5                               | 9.1  | DO-41       |
| 1N4743G     | 1,000          | 5         | 13.0                             | 19              | 10                                | 700                               | 0.25 | 5                               | 9.9  | DO-41       |
| 1N4744G     | 1,000          | 5         | 15.0                             | 17              | 14                                | 700                               | 0.25 | 5                               | 11.4 | DO-41       |
| 1N4745G     | 1,000          | 5         | 16.0                             | 15.5            | 16                                | 700                               | 0.25 | 5                               | 12.2 | DO-41       |
| 1N4746G     | 1,000          | 5         | 18.0                             | 14              | 20                                | 700                               | 0.25 | 5                               | 13.7 | DO-41       |
| 1N4747G     | 1,000          | 5         | 20.0                             | 12.5            | 22                                | 750                               | 0.25 | 5                               | 15.2 | DO-41       |
| 1N4748G     | 1,000          | 5         | 22.0                             | 11.5            | 23                                | 750                               | 0.25 | 5                               | 16.7 | DO-41       |
| 1N4749G     | 1,000          | 5         | 24.0                             | 10.5            | 25                                | 750                               | 0.25 | 5                               | 18.2 | DO-41       |
| 1N4750G     | 1,000          | 5         | 27.0                             | 9.5             | 35                                | 750                               | 0.25 | 5                               | 20.6 | DO-41       |
| 1N4751G     | 1,000          | 5         | 30.0                             | 8.5             | 40                                | 1000                              | 0.25 | 5                               | 22.8 | DO-41       |
| 1N4752G     | 1,000          | 5         | 33.0                             | 7.5             | 45                                | 1000                              | 0.25 | 5                               | 25.1 | DO-41       |
| 1N4753G     | 1,000          | 5         | 36.0                             | 7               | 50                                | 1000                              | 0.25 | 5                               | 27.4 | DO-41       |
| 1N4754G     | 1,000          | 5         | 39.0                             | 6.5             | 60                                | 1000                              | 0.25 | 5                               | 29.7 | DO-41       |
| 1N4755G     | 1,000          | 5         | 43.0                             | 6               | 70                                | 1500                              | 0.25 | 5                               | 32.7 | DO-41       |

## DIODES - ZENER

| Part Number | P <sub>D</sub> | Tolerance | V <sub>Z</sub> @ I <sub>ZT</sub> | I <sub>ZT</sub> | Z <sub>ZT</sub> @ I <sub>ZT</sub> | Z <sub>ZK</sub> @ I <sub>ZK</sub> |      | I <sub>R</sub> @ V <sub>R</sub> |      | Package Description |
|-------------|----------------|-----------|----------------------------------|-----------------|-----------------------------------|-----------------------------------|------|---------------------------------|------|---------------------|
|             | (mW)           | +/- (%)   | (V)                              | (mA)            | (Ω)                               | (Ω)                               | (mA) | (μA)                            | (V)  |                     |
| 1N4756G     | 1,000          | 5         | 47.0                             | 5.5             | 80                                | 1500                              | 0.25 | 5                               | 35.8 | DO-41               |
| 1N4757G     | 1,000          | 5         | 51.0                             | 5               | 95                                | 1500                              | 0.25 | 5                               | 38.8 | DO-41               |
| 1N4758G     | 1,000          | 5         | 56.0                             | 4.5             | 110                               | 2000                              | 0.25 | 5                               | 42.6 | DO-41               |
| BZX85C3V3   | 1,300          | 5         | 3.3                              | 80              | 20                                | 400                               | 1.00 | 40                              | 1    | DO-41               |
| BZX85C3V6   | 1,300          | 5         | 3.6                              | 60              | 20                                | 500                               | 1.00 | 20                              | 1    | DO-41               |
| BZX85C3V9   | 1,300          | 5         | 3.9                              | 60              | 15                                | 500                               | 1.00 | 20                              | 1    | DO-41               |
| BZX85C4V3   | 1,300          | 5         | 4.3                              | 50              | 13                                | 500                               | 1.00 | 3                               | 1    | DO-41               |
| BZX85C4V7   | 1,300          | 5         | 4.7                              | 45              | 13                                | 500                               | 1.00 | 3                               | 1    | DO-41               |
| BZX85C5V1   | 1,300          | 5         | 5.1                              | 45              | 10                                | 500                               | 1.00 | 1                               | 1.5  | DO-41               |
| BZX85C5V6   | 1,300          | 5         | 5.6                              | 45              | 7                                 | 400                               | 1.00 | 1                               | 2    | DO-41               |
| BZX85C6V2   | 1,300          | 5         | 6.2                              | 35              | 4                                 | 300                               | 1.00 | 1                               | 3    | DO-41               |
| BZX85C6V8   | 1,300          | 5         | 6.8                              | 35              | 3.5                               | 300                               | 1.00 | 1                               | 4    | DO-41               |
| BZX85C7V5   | 1,300          | 5         | 7.5                              | 35              | 3                                 | 200                               | 0.50 | 1                               | 4.5  | DO-41               |
| BZX85C8V2   | 1,300          | 5         | 8.2                              | 25              | 5                                 | 200                               | 0.50 | 1                               | 6.2  | DO-41               |
| BZX85C9V1   | 1,300          | 5         | 9.1                              | 25              | 5                                 | 200                               | 0.50 | 1                               | 6.9  | DO-41               |
| BZX85C10    | 1,300          | 5         | 10.0                             | 25              | 7                                 | 200                               | 0.50 | 0.5                             | 7.5  | DO-41               |
| BZX85C11    | 1,300          | 5         | 11.0                             | 20              | 8                                 | 300                               | 0.50 | 0.5                             | 8.2  | DO-41               |
| BZX85C12    | 1,300          | 5         | 12.0                             | 20              | 9                                 | 350                               | 0.50 | 0.5                             | 9.1  | DO-41               |
| BZX85C13    | 1,300          | 5         | 13.0                             | 20              | 10                                | 400                               | 0.50 | 0.5                             | 10   | DO-41               |
| BZX85C15    | 1,300          | 5         | 15.0                             | 15              | 15                                | 500                               | 0.50 | 0.5                             | 11   | DO-41               |
| BZX85C16    | 1,300          | 5         | 16.0                             | 15              | 15                                | 500                               | 0.50 | 0.5                             | 12   | DO-41               |
| BZX85C18    | 1,300          | 5         | 18.0                             | 15              | 20                                | 500                               | 0.50 | 0.5                             | 13   | DO-41               |
| BZX85C20    | 1,300          | 5         | 20.0                             | 10              | 24                                | 600                               | 0.50 | 0.5                             | 15   | DO-41               |
| BZX85C22    | 1,300          | 5         | 22.0                             | 10              | 25                                | 600                               | 0.50 | 0.5                             | 16   | DO-41               |
| BZX85C24    | 1,300          | 5         | 24.0                             | 10              | 25                                | 600                               | 0.50 | 0.5                             | 18   | DO-41               |
| BZX85C27    | 1,300          | 5         | 27.0                             | 8               | 30                                | 750                               | 0.25 | 0.5                             | 20   | DO-41               |
| BZX85C30    | 1,300          | 5         | 30.0                             | 8               | 30                                | 1000                              | 0.25 | 0.5                             | 22   | DO-41               |
| BZX85C33    | 1,300          | 5         | 33.0                             | 8               | 35                                | 1000                              | 0.25 | 0.5                             | 24   | DO-41               |
| BZX85C36    | 1,300          | 5         | 36.0                             | 8               | 40                                | 1000                              | 0.25 | 0.5                             | 25   | DO-41               |
| BZX85C39    | 1,300          | 5         | 39.0                             | 6               | 45                                | 1000                              | 0.25 | 0.5                             | 27   | DO-41               |
| BZX85C43    | 1,300          | 5         | 43.0                             | 6               | 50                                | 1000                              | 0.25 | 0.5                             | 30   | DO-41               |
| BZX85C47    | 1,300          | 5         | 47.0                             | 4               | 90                                | 1500                              | 0.25 | 0.5                             | 33   | DO-41               |
| BZX85C51    | 1,300          | 5         | 51.0                             | 4               | 115                               | 1500                              | 0.25 | 0.5                             | 36   | DO-41               |
| BZX85C56    | 1,300          | 5         | 56.0                             | 4               | 120                               | 2000                              | 0.25 | 0.5                             | 39   | DO-41               |

## ESD - PROTECTION

(T<sub>A</sub>=25°C unless otherwise noted)

| Part Number | Family         | VBR (Min.) | VBR (Max.) | @ IT | VWM | @ VWM ID | IPPM | @ IPPM VC | Cj   | Channel | Package Description |
|-------------|----------------|------------|------------|------|-----|----------|------|-----------|------|---------|---------------------|
|             |                | (V)        | (V)        | (mA) | (V) | (μA)     | (A)  | (°C)      | (pF) |         |                     |
| TESDL5V0    | Bidirectional  | 5.1        | -          | 1    | 5   | 2        | 5    | 15        | 15   | 1       | 1005                |
| TESDL12V    | Bidirectional  | 13         | -          | 1    | 12  | 2        | 1    | 25        | 12   | 1       | 1005                |
| TESDL24V    | Bidirectional  | 25         | -          | 1    | 24  | 2        | 1    | 47        | 10   | 1       | 1005                |
| TESDQ5V0    | Bidirectional  | 6          | -          | 1    | 5   | 1        | 2    | 20        | 10   | 1       | 0402                |
| TESDE5V0    | Bidirectional  | 5.1        | -          | 1    | 5   | 2        | 5    | 15        | 15   | 1       | 0503                |
| TESDE12V    | Bidirectional  | 13         | -          | 1    | 12  | 2        | 1    | 25        | 12   | 1       | 0503                |
| TESDE24V    | Bidirectional  | 15         | -          | 1    | 24  | 2        | 1    | 47        | 10   | 1       | 0503                |
| TESDU5V0    | Bidirectional  | 5.1        | -          | 1    | 5   | 2        | 5    | 15        | 15   | 1       | 0603                |
| TESDU12V    | Bidirectional  | 13         | -          | 1    | 12  | 2        | 1    | 25        | 12   | 1       | 0603                |
| TESDU24V    | Bidirectional  | 25         | -          | 1    | 24  | 2        | 1    | 47        | 10   | 1       | 0603                |
| TESDUB5V0   | Bidirectional  | 5.1        | -          | 1    | 5   | 2        | 5    | 15        | 15   | 1       | 0603-B              |
| TESDUB12V   | Bidirectional  | 13         | -          | 1    | 12  | 2        | 1    | 25        | 12   | 1       | 0603-B              |
| TESDUB24V   | Bidirectional  | 25         | -          | 1    | 24  | 2        | 1    | 47        | 10   | 1       | 0603-B              |
| TESDC5V0    | Bidirectional  | 6          | -          | 1    | 5   | 5        | 5    | 9.8       | 200  | 1       | SOD-323             |
| TESDC24V    | Bidirectional  | 26.7       | -          | 1    | 24  | 1        | 17   | 52        | 50   | 1       | SOD-323             |
| TESDC5V0LC  | Bidirectional  | 6          | -          | 1    | 5   | 5        | 30   | 27        | 2    | 1       | SOD-323             |
| TESDD5V0    | Bidirectional  | 6          | -          | 1    | 5   | 1        | 3    | 15        | 13   | 1       | SOD-523F            |
| TESDD5V0HC  | Bidirectional  | 6          | -          | 1    | 5   | 1        | 1    | 10        | 35   | 1       | SOD-523F            |
| TESDF5V0A   | Bidirectional  | 6          | -          | 1    | 5   | 1        | 2.5  | 15        | 10   | 2       | SOT-23              |
| TESDT5V0A   | Bidirectional  | 6.5        | -          | 1    | 5   | 1        | 1    | 9.8       | 20   | 4       | SOT-23-5            |
| TESDH5V0A   | Unidirectional | 6          | -          | 1    | 5   | 1        | 1    | 15        | 1    | 4       | 2510P10 (DSON10)    |
| TESDM5V0A   | Unidirectional | 6.5        | -          | 1    | 5   | 0.5      | 1    | 15        | 0.5  | 6       | MSOP-08             |
| TESDO5V0A   | Unidirectional | 6          | -          | 1    | 5   | 1        | 5    | 20        | 1    | 4       | MSOP-10             |
| TESDA5V0A   | Unidirectional | 6          | -          | 1    | 5   | 1        | 15   | 15        | 0.8  | 2       | SOT-23              |
| TESDF5V0AU  | Unidirectional | 6          | -          | 1    | 5   | 10       | 15   | 15        | 350  | 2       | SOT-23              |
| TESDS5V0A   | Unidirectional | 6          | -          | 1    | 5   | 1        | 2    | 25        | 1.2  | 4       | SOT-26              |
| TESDV5V0A   | Unidirectional | 6          | -          | 1    | 5   | 1        | 3    | 25        | 2    | 4       | SOT-363             |
| TESDG5V0A   | Unidirectional | 6          | -          | 1    | 5   | 1        | 3    | 16        | 0.9  | 4       | SOT-563             |
| TESDB5V0A   | Bidirectional  | 6          | -          | 1    | 5   | 5        | 1    | 9.8       | 3    | 2       | SOT-143             |

## IGBTS

(T<sub>A</sub>=25°C unless otherwise noted)

| Part Number | With FRD | Collector-Emitter-Voltage V <sub>CEs</sub> (Max.) | Collector Current I <sub>C</sub> (Max.) | VCE Sat. (Typ.) | Fall Time (Typ.) | Gate-Emitter-Threshold Voltage (V) |        |        | Package Description |
|-------------|----------|---|---|-----------------|------------------|------------------------------------|--------|--------|---------------------|
|             |          | (V)   | (A)                                     | (V)             | (ns)             | (Min.)                             | (Typ.) | (Max.) |                     |
| TSG60N100CE | Yes      | 1,000   | 60                                      | 2.1             | 120              | 3.5                                | 5.5    | 7.6    | TO-264              |
| TSG15N120CN | Yes      | 1,200   | 15                                      | 1.9             | 86               | 3                                  | 5      | 7      | TO-3PN              |
| TSG25N120CN | Yes      | 1,200   | 25                                      | 1.9             | 168              | 3                                  | 5      | 7      | TO-3PN              |
| TSG40N120CE | Yes      | 1,200   | 40                                      | 2.2             | 65               | 4.5                                | 6.5    | 8.5    | TO-264              |



## MOSFETS

## MOSFETS

(T<sub>A</sub>=25°C unless otherwise noted)

| Part Number     | Configuration | Type      | V <sub>DS</sub><br>(V) | V <sub>GS</sub><br>±(V) | I <sub>D</sub><br>Max(A) | V <sub>GS</sub> (th) |        |        | R <sub>DS(ON)</sub> (mΩ) |       |        |     |
|-----------------|---------------|-----------|------------------------|-------------------------|--------------------------|----------------------|--------|--------|--------------------------|-------|--------|-----|
|                 |               |           |                        |                         |                          | Min(V)               | Typ(V) | Max(V) | @ 10V                    |       | @ 4.5V |     |
|                 |               |           |                        |                         |                          | Typ                  | Max    | Typ    | Max                      |       |        |     |
| TSM4539DCS      | Complementary | N-Channel | 30                     | 20                      | 6.5                      | 1                    | -      | 3      | 23                       | 28    | 35     | 42  |
|                 |               | P-Channel | -30                    | 20                      | -4.2                     | -1                   | -      | -3     | 50                       | 65    | 82     | 90  |
| TSM6866SDCA     | Dual          | N-Channel | 20                     | 12                      | 6                        | 0.6                  | 0.85   | 1.2    | -                        | -     | 21     | 30  |
| TSM6968SDCA     | Dual          | N-Channel | 20                     | 12                      | 6.5                      | 0.6                  | 0.8    | 1      | -                        | -     | 15     | 22  |
| TSM6968DCA      | Dual          | N-Channel | 20                     | 12                      | 6.5                      | 0.6                  | 0.8    | 1      | -                        | -     | 15     | 22  |
| TSM9926DCS      | Dual          | N-Channel | 20                     | 12                      | 6                        | 0.6                  | 0.85   | 1.2    | -                        | -     | 21     | 30  |
| TSM2611EDCX6    | Dual          | N-Channel | 20                     | 10                      | 6                        | 0.5                  | 0.7    | 1      | -                        | -     | 16     | 20  |
| TSM250N02DCQ    | Dual          | N-Channel | 20                     | 10                      | 5.8                      | 0.4                  | 0.6    | 0.8    | -                        | -     | 20     | 25  |
| TSM4410DCS      | Dual          | N-Channel | 25                     | 20                      | 25                       | 1                    | 1.8    | 3      | 13                       | 15    | 18     | 21  |
| TSM4416DCS      | Dual          | N-Channel | 30                     | 20                      | 11                       | 1                    | 1.8    | 3      | 12                       | 15    | 16     | 24  |
| TSM4936DCS      | Dual          | N-Channel | 30                     | 20                      | 5.9                      | 1                    | 1.5    | 3      | 32                       | 36    | 42     | 53  |
| TSM4944DCS      | Dual          | N-Channel | 30                     | 20                      | 12.2                     | 1                    | -      | 3      | 11                       | 13    | 15     | 18  |
| TSM200N03DPQ33* | Dual          | N-Channel | 30                     | 20                      | 20                       | 1.2                  | 1.5    | 2.5    | 17                       | 20    | 23     | 30  |
| TSM4946DCS      | Dual          | N-Channel | 60                     | 20                      | 4.5                      | 1                    | -      | 3      | 45                       | 55    | 55     | 75  |
| TSM1N45DCS      | Dual          | N-Channel | 450                    | 50                      | 1                        | 2.3                  | 3      | 3.7    | 3,700                    | 4,250 | -      | -   |
| TSM4806CS       | Single        | N-Channel | 20                     | 8                       | 28                       | 0.3                  | 0.6    | 1      | -                        | -     | 16     | 20  |
| TSM2302CX       | Single        | N-Channel | 20                     | 8                       | 2.8                      | 0.65                 | 0.95   | 1.2    | -                        | -     | 40     | 65  |
| TSM2310CX       | Single        | N-Channel | 20                     | 12                      | 4                        | 0.6                  | 0.85   | 1.2    | -                        | -     | 24     | 30  |
| TSM2312CX       | Single        | N-Channel | 20                     | 8                       | 4.9                      | 0.4                  | 0.6    | 1      | -                        | -     | 27     | 33  |
| TSM2314CX       | Single        | N-Channel | 20                     | 12                      | 4.9                      | 0.6                  | 0.85   | 1.2    | -                        | -     | 27     | 33  |
| TSM3442CX6      | Single        | N-Channel | 20                     | 8                       | 4                        | 0.65                 | 0.95   | 1.2    | -                        | -     | 50     | 70  |
| TSM3446CX6      | Single        | N-Channel | 20                     | 12                      | 5.3                      | 0.6                  | 0.85   | 1.2    | -                        | -     | 27     | 33  |
| TSM4424CS       | Single        | N-Channel | 20                     | 8                       | 8                        | -                    | 0.65   | 1      | -                        | -     | 23     | 30  |
| TSM190N02CX*    | Single        | N-Channel | 20                     | 10                      | 6.7                      | 0.3                  | 0.6    | 0.8    | -                        | -     | 15     | 19  |
| TSM250N02CX*    | Single        | N-Channel | 20                     | 10                      | 5.8                      | 0.4                  | 0.6    | 0.8    | -                        | -     | 20     | 25  |
| TSM25N03CP      | Single        | N-Channel | 25                     | 20                      | 25                       | 1                    | 1.8    | 3      | 10                       | 10    | 15     | 19  |
| TSM4410CS       | Single        | N-Channel | 25                     | 20                      | 25                       | 1                    | 1.8    | 3      | 13                       | 15    | 18     | 21  |
| TSM05N03CW      | Single        | N-Channel | 30                     | 20                      | 5                        | 1                    | -      | 3      | 46                       | 60    | 70     | 90  |
| TSM2306CX       | Single        | N-Channel | 30                     | 20                      | 3.5                      | 1                    | -      | 3      | -                        | -     | 46     | 57  |
| TSM3400CX       | Single        | N-Channel | 30                     | 12                      | 5.8                      | 1                    | 1.5    | 3      | 23                       | 28    | 28     | 33  |
| TSM3404CX       | Single        | N-Channel | 30                     | 20                      | 5.8                      | 1                    | 1.5    | 3      | 23                       | 30    | 35     | 43  |
| TSM3424CX6      | Single        | N-Channel | 30                     | 20                      | 6.7                      | 1                    | 1.5    | 3      | 23                       | 30    | 32     | 42  |
| TSM4872CS       | Single        | N-Channel | 30                     | 20                      | 15                       | 1                    | -      | 3      | 6.2                      | 7.5   | 8.3    | 10  |
| TSM4886CS       | Single        | N-Channel | 30                     | 20                      | 13                       | 1                    | 2.2    | 3      | 7.8                      | 10    | 10.5   | 14  |
| TSM15N03PQ33    | Single        | N-Channel | 30                     | 20                      | 14                       | 1.2                  | -      | 2.5    | 9                        | 12    | 13     | 17  |
| TSM35N03PQ56    | Single        | N-Channel | 30                     | 20                      | 35                       | 1.3                  | -      | 2.5    | 5.5                      | 7     | 7.5    | 9   |
| TSM40N03PQ33    | Single        | N-Channel | 30                     | 20                      | 40                       | 1.15                 | -      | 2.2    | 3.6                      | 4.6   | 4.8    | 5.9 |
| TSM40N03PQ56    | Single        | N-Channel | 30                     | 20                      | 40                       | 1.15                 | -      | 2.2    | 3.5                      | 4.5   | 4.6    | 5.8 |
| TSM60N03CP      | Single        | N-Channel | 30                     | 20                      | 60                       | 1.15                 | -      | 2.2    | 3.5                      | 4.5   | 4.6    | 5.8 |
| TSM4404CS       | Single        | N-Channel | 30                     | 12                      | 8.5                      | 0.7                  | -      | 1.4    | 24                       | 30    | 27     | 33  |
| TSM4414CS       | Single        | N-Channel | 30                     | 20                      | 8.5                      | 1                    | 1.4    | 3      | 20                       | 26    | 30     | 40  |
| TSM020N03PQ56   | Single        | N-Channel | 30                     | 20                      | 130                      | 1.2                  | -      | 2.5    | 1.5                      | 2     | 2.3    | 3   |
| TSM040N03CP     | Single        | N-Channel | 30                     | 20                      | 90                       | 1.2                  | 1.6    | 2.5    | 3.1                      | 4     | 4.5    | 6   |
| TSM060N03ECP    | Single        | N-Channel | 30                     | 20                      | 70                       | 1.2                  | 1.6    | 2.5    | 4.5                      | 6     | 6.5    | 9   |
| TSM060N03CP     | Single        | N-Channel | 30                     | 20                      | 80                       | 1                    | 1.6    | 2.5    | 4.8                      | 6     | 6.5    | 9   |

Note. \* - Q4/2014

|    | R <sub>DS(ON)</sub> (mΩ) |     |        |     | Q <sub>g</sub> (nC) |       | Q <sub>gs</sub><br>(nC) | Q <sub>gd</sub><br>(nC) | C <sub>iss</sub><br>(pF) | C <sub>oss</sub><br>(pF) | C <sub>rss</sub><br>(pF) | Package Description |
|----|--------------------------|-----|--------|-----|---------------------|-------|-------------------------|-------------------------|--------------------------|--------------------------|--------------------------|---------------------|
|    | @ 2.5V                   |     | @ 1.8V |     |                     |       |                         |                         |                          |                          |                          |                     |
|    | Typ                      | Max | Typ    | Max | @10V                | @4.5V |                         |                         |                          |                          |                          |                     |
| -  | -                        | -   | -      | 7   | -                   | 1.6   | 1                       | 610                     | 77                       | 90                       | SOP-8                    |                     |
| -  | -                        | -   | -      | 7   | -                   | 1.6   | 1.3                     | 100                     | 551                      | 60                       | SOP-8                    |                     |
| 30 | 40                       | -   | -      | -   | 5                   | 1     | 1.5                     | 565                     | 105                      | 75                       | TSSOP-8                  |                     |
| 20 | 29                       | -   | -      | -   | 15                  | 3.4   | 1.2                     | 950                     | 450                      | 135                      | TSSOP-8                  |                     |
| 20 | 29                       | -   | -      | -   | 15                  | 3.4   | 1.2                     | 950                     | 450                      | 135                      | TSSOP-8                  |                     |
| 30 | 40                       | -   | -      | -   | 7.1                 | 0.92  | 1.4                     | 562                     | 106                      | 75                       | SOP-8                    |                     |
| 20 | 28                       | -   | -      | -   | 13.5                | 0.85  | 5.4                     | 680                     | 144                      | 137                      | SOT-26                   |                     |
| 27 | 35                       | 39  | 55     | -   | 7.7                 | 0.9   | 2.4                     | 535                     | 60                       | 34                       | TDFN 2x2                 |                     |
| -  | -                        | -   | -      | -   | 15                  | 2.5   | 3                       | 921                     | 208.7                    | 108.2                    | SOP-8                    |                     |
| -  | -                        | -   | -      | -   | 7.7                 | 1.6   | 3.1                     | 890                     | 159.6                    | 83.2                     | SOP-8                    |                     |
| -  | -                        | -   | -      | 13  | -                   | 4.2   | 3.1                     | 610                     | 100                      | 77                       | SOP-8                    |                     |
| -  | -                        | -   | -      | 26  | -                   | 6     | 5                       | 2,134                   | 343                      | 134                      | SOP-8                    |                     |
| -  | -                        | -   | -      | -   | 4.1                 | 1     | 2.1                     | 345                     | 55                       | 32                       | PDFN33                   |                     |
| -  | -                        | -   | -      | -   | 10.5                | 4     | 3                       | 910                     | 145                      | 67                       | SOP-8                    |                     |
| -  | -                        | -   | -      | 6.5 | -                   | 0.9   | 3.2                     | 185                     | 29                       | 6.5                      | SOP-8                    |                     |
| 20 | 25                       | 25  | 32     | -   | 12.3                | 1.95  | 3.08                    | 961                     | 92.3                     | 80.4                     | SOP-8                    |                     |
| 50 | 95                       | -   | -      | -   | 5.4                 | 0.65  | 1.4                     | 340                     | 115                      | 33                       | SOT-23                   |                     |
| 32 | 40                       | 80  | 100    | -   | 11                  | 2     | 2.7                     | 550                     | 100                      | 30                       | SOT-23                   |                     |
| 33 | 40                       | 42  | 51     | -   | 11.2                | 1.5   | 2.1                     | 500                     | 300                      | 140                      | SOT-23                   |                     |
| 33 | 40                       | 80  | 100    | -   | 7.1                 | 1.5   | 2.1                     | 900                     | 140                      | 100                      | SOT-23                   |                     |
| 60 | 90                       | -   | -      | -   | 5.4                 | 0.65  | 1.4                     | 340                     | 115                      | 33                       | SOT-26                   |                     |
| 33 | 40                       | -   | -      | -   | 12.5                | 0.72  | 4.3                     | 700                     | 125                      | 110                      | SOT-26                   |                     |
| 25 | 35                       | 35  | 45     | -   | 11.2                | 1.4   | 2.2                     | 500                     | 300                      | 140                      | SOP-8                    |                     |
| 18 | 23                       | 23  | 32     | -   | 5.8                 | 0.6   | 2                       | 600                     | 70                       | 45                       | SOT-23                   |                     |
| 27 | 35                       | 39  | 55     | -   | 7.7                 | 0.9   | 2.4                     | 535                     | 60                       | 34                       | SOT-23                   |                     |
| -  | -                        | -   | -      | -   | 14.7                | 2.5   | 3                       | 921                     | 208.7                    | 108.2                    | D-PAK (TO-252)           |                     |
| -  | -                        | -   | -      | -   | 15                  | 2.5   | 3                       | 921                     | 208.7                    | 108.2                    | SOP-8                    |                     |
| -  | -                        | -   | -      | -   | 4.2                 | 1.9   | 1.4                     | 555                     | 120                      | 60                       | SOT-223                  |                     |
| 70 | 94                       | -   | -      | -   | 4.2                 | 1.9   | 1.4                     | 555                     | 120                      | 60                       | SOT-23                   |                     |
| 43 | 52                       | -   | -      | 9.7 | -                   | 1.6   | 3.1                     | 857                     | 97                       | 71                       | SOT-23                   |                     |
| -  | -                        | -   | -      | 4.5 | -                   | 1.2   | 1.7                     | 401                     | 100.5                    | 71.8                     | SOT-23                   |                     |
| -  | -                        | -   | -      | 4.5 | -                   | 1.2   | 1.7                     | 401                     | 100.5                    | 71.8                     | SOT-26                   |                     |
| -  | -                        | -   | -      | -   | 26                  | 6     | 5                       | 2,134                   | 343                      | 134                      | SOP-8                    |                     |
| -  | -                        | -   | -      | -   | 26                  | 6     | 5                       | 2,134                   | 343                      | 134                      | SOP-8                    |                     |
| -  | -                        | -   | -      | -   | 3.6                 | 1.2   | 1                       | 415                     | 90                       | 38                       | PDFN33                   |                     |
| -  | -                        | -   | -      | -   | 8.2                 | 2.7   | 2.2                     | 1,050                   | 210                      | 90                       | PDFN56                   |                     |
| -  | -                        | -   | -      | -   | 12                  | 5.4   | 4.6                     | 1,700                   | 350                      | 140                      | PDFN33                   |                     |
| -  | -                        | -   | -      | -   | 12                  | 5.4   | 4.6                     | 1,700                   | 350                      | 140                      | PDFN56                   |                     |
| -  | -                        | -   | -      | -   | 12                  | 5.4   | 4.6                     | 1,700                   | 350                      | 140                      | D-PAK (TO-252)           |                     |
| -  | -                        | -   | -      | -   | 9.7                 | 1.6   | 3.1                     | 857                     | 97                       | 71                       | SOP-8                    |                     |
| -  | -                        | -   | -      | 13  | -                   | 4.2   | 3.1                     | 610                     | 100                      | 77                       | SOP-8                    |                     |
| -  | -                        | -   | -      | 82  | -                   | 24    | 5                       | 4,222                   | 889                      | 398                      | PDFN56                   |                     |
| -  | -                        | -   | -      | -   | 24                  | 4.2   | 13                      | 2,200                   | 280                      | 177                      | D-PAK (TO-252)           |                     |
| -  | -                        | -   | -      | -   | 11.1                | 1.85  | 6.8                     | 1,210                   | 190                      | 100                      | D-PAK (TO-252)           |                     |
| -  | -                        | -   | -      | -   | 11.1                | 1.85  | 6.8                     | 1,160                   | 200                      | 180                      | D-PAK (TO-252)           |                     |

## MOSFETS

| Part Number     | Configuration | Type      | V <sub>DS</sub><br>(V) | V <sub>GS</sub><br>±(V) | I <sub>D</sub><br>Max(A) | V <sub>GS</sub> <sup>(th)</sup> |        |        | R <sub>DS(ON)</sub> <sup>(mΩ)</sup> |       |        |       |
|-----------------|---------------|-----------|------------------------|-------------------------|--------------------------|---------------------------------|--------|--------|-------------------------------------|-------|--------|-------|
|                 |               |           |                        |                         |                          | Min(V)                          | Typ(V) | Max(V) | @ 10V                               |       | @ 4.5V |       |
|                 |               |           |                        |                         |                          |                                 |        |        | Typ                                 | Max   | Typ    | Max   |
| TSM090N03CP*    | Single        | N-Channel | 30                     | 20                      | 55                       | 1                               | 1.6    | 2.5    | 7.5                                 | 9     | 10     | 13    |
| TSM090N03ECP*   | Single        | N-Channel | 30                     | 20                      | 55                       | 1                               | 1.6    | 2.5    | 7.5                                 | 9     | 10     | 13    |
| TSM036N03PQ56*  | Single        | N-Channel | 30                     | 20                      | 90                       | 1.2                             | 1.6    | 2.5    | 2.7                                 | 3.6   | 4.1    | 6     |
| TSM055N03EPQ56* | Single        | N-Channel | 30                     | 20                      | 80                       | 1.2                             | 1.6    | 2.5    | 4.5                                 | 5.5   | 6.3    | 8.5   |
| TSM055N03PQ56*  | Single        | N-Channel | 30                     | 20                      | 80                       | 1                               | 1.6    | 2.5    | 4.5                                 | 5.5   | 6.3    | 8.5   |
| TSM080N03EPQ56* | Single        | N-Channel | 30                     | 20                      | 55                       | 1                               | 1.6    | 2.5    | 6.5                                 | 8     | 9.5    | 12.5  |
| TSM080N03PQ56*  | Single        | N-Channel | 30                     | 20                      | 55                       | 1                               | 1.6    | 2.5    | 6.5                                 | 8     | 9.5    | 12.5  |
| TSM038N03PQ33*  | Single        | N-Channel | 30                     | 20                      | 80                       | 1.2                             | 1.6    | 2.5    | 2.9                                 | 3.8   | 4.3    | 5.5   |
| TSM060N03PQ33*  | Single        | N-Channel | 30                     | 20                      | 60                       | 1.2                             | 1.6    | 2.5    | 4.8                                 | 6     | 6.7    | 9     |
| TSM085N03PQ33*  | Single        | N-Channel | 30                     | 20                      | 48                       | 1.2                             | 1.6    | 2.5    | 6.2                                 | 8.5   | 9      | 13    |
| TSM180N03PQ33*  | Single        | N-Channel | 30                     | 20                      | 25                       | 1.2                             | 1.6    | 2.5    | 14                                  | 18    | 20     | 28    |
| TSM042N03CS     | Single        | N-Channel | 30                     | 20                      | 30                       | 1.2                             | 1.6    | 2.5    | 3.8                                 | 4.2   | 5.2    | 6     |
| TSM180N03CS     | Single        | N-Channel | 30                     | 20                      | 9                        | 1.2                             | 1.6    | 2      | 16                                  | 18    | 23     | 28    |
| TSM500N03CP     | Single        | N-Channel | 30                     | 20                      | 12.5                     | 1                               | 1.7    | 3      | 40                                  | 50    | 65     | 80    |
| TSM320N03CX*    | Single        | N-Channel | 30                     | 12                      | 5.3                      | 0.4                             | 0.6    | 0.9    | -                                   | -     | 27     | 32    |
| TSM240N03CX*    | Single        | N-Channel | 30                     | 20                      | 6.5                      | 1.2                             | 1.6    | 2.5    | 20                                  | 24    | 27     | 34    |
| TSM240N03CX6*   | Single        | N-Channel | 30                     | 20                      | 6.5                      | 1.2                             | 1.6    | 2.5    | 19                                  | 24    | 25     | 34    |
| TSM2318CX       | Single        | N-Channel | 40                     | 20                      | 3.9                      | 1                               | -      | 3      | 36                                  | 45    | 50     | 63    |
| TSM028N04PQ56   | Single        | N-Channel | 40                     | 20                      | 140                      | 2                               | 3      | 4      | 2.1                                 | 2.8   | -      | -     |
| TSM2N7000KCT    | Single        | N-Channel | 60                     | 20                      | 0.3                      | 1                               | -      | 2.5    | 3,000                               | 5,000 | 3,600  | 5,500 |
| TSM2N7002KCX    | Single        | N-Channel | 60                     | 20                      | 0.3                      | 1                               | -      | 2.5    | 1,200                               | 2,000 | 2,000  | 4,000 |
| TSM4436CS       | Single        | N-Channel | 60                     | 20                      | 8                        | 1                               | -      | 3      | 30                                  | 36    | 35     | 43    |
| TSM60N06CP      | Single        | N-Channel | 60                     | 20                      | 62                       | 2                               | 3      | 4      | 6.3                                 | 7.3   | -      | -     |
| TSM100N06CZ     | Single        | N-Channel | 60                     | 20                      | 100                      | 2                               | 3      | 4      | 5.7                                 | 6.7   | -      | -     |
| TSM10N06CP      | Single        | N-Channel | 60                     | 20                      | 10                       | 1                               | -      | 3      | -                                   | 65    | -      | 80    |
| TSM210N06CZ     | Single        | N-Channel | 60                     | 20                      | 210                      | 2                               | -      | 4      | 2.6                                 | 3.1   | -      | -     |
| TSM2308CX       | Single        | N-Channel | 60                     | 20                      | 3                        | 1.2                             | -      | 2.5    | 130                                 | 156   | 160    | 192   |
| TSM058N06PQ56   | Single        | N-Channel | 60                     | 20                      | 70                       | 2                               | 3      | 4      | 4.8                                 | 5.8   | -      | -     |
| TSM052N06PQ56   | Single        | N-Channel | 60                     | 25                      | 92                       | 2                               | 3      | 4      | 4.2                                 | 5.2   | -      | -     |
| TSM230N06CP     | Single        | N-Channel | 60                     | 20                      | 38                       | 1.2                             | 1.8    | 2.5    | 20                                  | 23    | 23     | 28    |
| TSM340N06CP     | Single        | N-Channel | 60                     | 20                      | 25                       | 1.2                             | 1.7    | 2.5    | 28                                  | 34    | 33     | 40    |
| TSM900N06CP     | Single        | N-Channel | 60                     | 20                      | 11                       | 1.2                             | 1.8    | 2.5    | 68                                  | 90    | 78     | 100   |
| TSM340N06CH     | Single        | N-Channel | 60                     | 20                      | 25                       | 1.2                             | 1.7    | 2.5    | 28                                  | 34    | 33     | 40    |
| TSM900N06CH     | Single        | N-Channel | 60                     | 20                      | 11                       | 1.2                             | 1.8    | 2.5    | 68                                  | 90    | 78     | 100   |
| TSM230N06PQ56*  | Single        | N-Channel | 60                     | 20                      | 44                       | 1.2                             | 1.8    | 2.5    | 20                                  | 23    | 23     | 28    |
| TSM850N06CX*    | Single        | N-Channel | 60                     | 20                      | 6.1                      | 1.2                             | 1.8    | 2.5    | 70                                  | 85    | 82     | 100   |
| TSM900N06CW*    | Single        | N-Channel | 60                     | 20                      | 5                        | 1.2                             | 1.8    | 2.5    | 76                                  | 90    | 87     | 100   |
| TSM230N06CZ*    | Single        | N-Channel | 60                     | 20                      | 50                       | 1.2                             | 1.8    | 2.5    | 20                                  | 23    | 23     | 28    |
| TSM340N06CZ*    | Single        | N-Channel | 60                     | 20                      | 30                       | 1.2                             | 1.7    | 2.5    | 28                                  | 34    | 33     | 40    |
| TSM230N06CI*    | Single        | N-Channel | 60                     | 20                      | 30                       | 1.2                             | 1.8    | 2.5    | 20                                  | 23    | 23     | 28    |
| TSM340N06CI*    | Single        | N-Channel | 60                     | 20                      | 20                       | 1.2                             | 1.7    | 2.5    | 28                                  | 34    | 33     | 40    |
| TSM070N07PQ56   | Single        | N-Channel | 65                     | 20                      | 75                       | 2                               | 3      | 4      | 5.5                                 | 7     | -      | -     |
| TSM190N08CZ     | Single        | N-Channel | 75                     | 20                      | 190                      | 2                               | 3      | 4      | 3.4                                 | 4.2   | -      | -     |
| TSM75N75CZ      | Single        | N-Channel | 75                     | 20                      | 75                       | 2                               | 3      | 4      | 8                                   | 11    | -      | -     |
| TSM80N08CZ      | Single        | N-Channel | 75                     | 20                      | 80                       | 2                               | 3      | 4      | 6                                   | 8     | -      | -     |
| TSM090N08PQ56   | Single        | N-Channel | 75                     | 25                      | 80                       | 2                               | 3      | 4      | 7                                   | 9     | -      | -     |

Note. \* - Q4/2014

## MOSFETS

| R <sub>DS(ON)</sub> <sup>(mΩ)</sup> |     |        |     | Q <sub>g</sub> (nC) |       | Q <sub>gs</sub> | Q <sub>gd</sub> | C <sub>iss</sub> | C <sub>oss</sub> | C <sub>rss</sub> | Package Description |
|-------------------------------------|-----|--------|-----|---------------------|-------|-----------------|-----------------|------------------|------------------|------------------|---------------------|
| @ 2.5V                              |     | @ 1.8V |     |                     |       |                 |                 |                  |                  |                  |                     |
| Typ                                 | Max | Typ    | Max | @10V                | @4.5V | (nC)            | (nC)            | (pF)             | (pF)             | (pF)             |                     |
| -                                   | -   | -      | -   | -                   | 7.5   | 1.3             | 4.5             | 750              | 150              | 110              | D-PAK (TO-252)      |
| -                                   | -   | -      | -   | -                   | 24    | 4.2             | 13              | 2,200            | 280              | 177              | PDFN56              |
| -                                   | -   | -      | -   | -                   | 11.1  | 1.85            | 6.8             | 1,210            | 190              | 100              | PDFN56              |
| -                                   | -   | -      | -   | -                   | 11.1  | 1.85            | 6.8             | 1,160            | 200              | 180              | PDFN56              |
| -                                   | -   | -      | -   | -                   | 7.5   | 1.3             | 4.5             | 680              | 150              | 70               | PDFN56              |
| -                                   | -   | -      | -   | -                   | 7.5   | 1.3             | 4.5             | 750              | 150              | 110              | PDFN56              |
| -                                   | -   | -      | -   | -                   | 24    | 4.2             | 13              | 2,200            | 280              | 177              | PDFN33              |
| -                                   | -   | -      | -   | -                   | 11.1  | 1.85            | 6.8             | 1,160            | 200              | 180              | PDFN33              |
| -                                   | -   | -      | -   | -                   | 7.5   | 1.3             | 4.5             | 750              | 150              | 110              | PDFN33              |
| -                                   | -   | -      | -   | -                   | 4.1   | 1               | 2.1             | 345              | 55               | 32               | PDFN33              |
| -                                   | -   | -      | -   | -                   | 24    | 4.2             | 13              | 2,200            | 280              | 177              | SOP-8               |
| -                                   | -   | -      | -   | -                   | 4.1   | 1               | 2.1             | 345              | 55               | 32               | SOP-8               |
| -                                   | -   | -      | -   | -                   | 4     | 1.6             | 2.4             | 270              | 70               | 50               | TO-252              |
| 32                                  | 40  | -      | -   | -                   | 8.4   | 1               | 2.2             | 695              | 45               | 36               | SOT-23              |
| -                                   | -   | -      | -   | -                   | 4.1   | 1               | 2.1             | 345              | 55               | 32               | SOT-23              |
| -                                   | -   | -      | -   | -                   | 4.1   | 1               | 2.1             | 345              | 55               | 32               | SOT-26              |
| -                                   | -   | -      | -   | 10                  | -     | 1.6             | 2.1             | 540              | 80               | 45               | SOT-23              |
| -                                   | -   | -      | -   | 78                  | -     | 22              | 4.7             | 4,222            | 889              | 398              | PDFN56              |
| -                                   | -   | -      | -   | -                   | 0.4   | -               | -               | 7                | 3.42             | 7.63             | TO-92               |
| -                                   | -   | -      | -   | -                   | 0.4   | -               | -               | 30               | 6                | 2.5              | SOT-23              |
| -                                   | -   | -      | -   | 10.5                | -     | 3.5             | 4.2             | 1,100            | 90               | 55               | SOP-8               |
| -                                   | -   | -      | -   | 81                  | -     | 23              | 24              | 4,382            | 668              | 339              | D-PAK (TO-252)      |
| -                                   | -   | -      | -   | 92                  | -     | 23              | 24              | 4,382            | 668              | 339              | TO-220              |
| -                                   | -   | -      | -   | -                   | 10.5  | 3.5             | 4.2             | 1,100            | 90               | 55               | D-PAK (TO-252)      |
| -                                   | -   | -      | -   | 160                 | -     | 35              | 40              | 7,900            | 780              | 30               | TO-220              |
| -                                   | -   | -      | -   | -                   | 3.99  | 1.31            | 1.78            | 511              | 38               | 25               | SOT-23              |
| -                                   | -   | -      | -   | 118                 | -     | 28              | 45              | 4,871            | 243              | 124              | PDFN56              |
| -                                   | -   | -      | -   | 50                  | -     | 15              | 2.5             | 3,686            | 357              | 124              | PDFN56              |
| -                                   | -   | -      | -   | 28                  | -     | 3.5             | 6.5             | 1,680            | 115              | 85               | D-PAK (TO-252)      |
| -                                   | -   | -      | -   | 16.6                | -     | 2.2             | 3.9             | 1,180            | 68               | 45               | D-PAK (TO-252)      |
| -                                   | -   | -      | -   | 9.3                 | -     | 2.1             | 1.8             | 500              | 45               | 16               | D-PAK (TO-252)      |
| -                                   | -   | -      | -   | 16.6                | -     | 2.2             | 3.9             | 1,180            | 68               | 45               | I-PAK (TO-251)      |
| -                                   | -   | -      | -   | 9.3                 | -     | 2.1             | 1.8             | 500              | 45               | 16               | I-PAK (TO-251)      |
| -                                   | -   | -      | -   | 28                  | -     | 3.5             | 6.5             | 1,680            | 115              | 85               | PDFN56              |
| -                                   | -   | -      | -   | 9.3                 | -     | 2.1             | 1.8             | 500              | 45               | 16               | SOT-23              |
| -                                   | -   | -      | -   | 9.3                 | -     | 2.1             | 1.8             | 500              | 45               | 16               | SOT-223             |
| -                                   | -   | -      | -   | 28                  | -     | 3.5             | 6.5             | 1,680            | 115              | 85               | TO-220              |
| -                                   | -   | -      | -   | 16.6                | -     | 2.2             | 3.9             | 1,180            | 68               | 45               | TO-220              |
| -                                   | -   | -      | -   | 28                  | -     | 3.5             | 6.5             | 1,680            | 115              | 85               | ITO-220             |
| -                                   | -   | -      | -   | 16.6                | -     | 2.2             | 3.9             | 1,180            | 68               | 45               | ITO-220             |
| -                                   | -   | -      | -   | 125                 | -     | 35              | 48              | 4,780            | 645              | 335              | PDFN56              |
| -                                   | -   | -      | -   | 160                 | -     | 35              | 40              | 8,600            | 780              | 300              | TO-220              |
| -                                   | -   | -      | -   | 81                  | -     | 23              | 24              | 4,382            | 668              | 339              | TO-220              |
| -                                   | -   | -      | -   | 91.5                | -     | 34              | 19.9            | 3,905            | 371              | 203              | TO-220              |
| -                                   | -   | -      | -   | 125                 | -     | 35              | 48              | 4,800            | 650              | 340              | PDFN56              |

## MOSFETS

| Part Number   | Configuration | Type      | V <sub>DS</sub><br>(V) | V <sub>GS</sub><br>±(V) | I <sub>D</sub><br>Max(A) | V <sub>GS</sub> <sup>(th)</sup> |        |        | R <sub>DS(ON)</sub> <sup>(mΩ)</sup> |        |        |     |
|---------------|---------------|-----------|------------------------|-------------------------|--------------------------|---------------------------------|--------|--------|-------------------------------------|--------|--------|-----|
|               |               |           |                        |                         |                          | Min(V)                          | Typ(V) | Max(V) | @ 10V                               |        | @ 4.5V |     |
|               |               |           |                        |                         |                          |                                 |        |        | Typ                                 | Max    | Typ    | Max |
| TSM2328CX     | Single        | N-Channel | 100                    | 20                      | 1.5                      | 1                               | -      | 2.5    | -                                   | 250    | -      | -   |
| TSM160N10CZ   | Single        | N-Channel | 100                    | 20                      | 160                      | 2                               | 3      | 4      | 4.5                                 | 5.5    | -      | -   |
| TSM35N10CP    | Single        | N-Channel | 100                    | 20                      | 32                       | 1                               | 2      | 3      | 30                                  | 37     | 32     | 42  |
| TSM70N10CP    | Single        | N-Channel | 100                    | 20                      | 70                       | 2                               | 3      | 4      | 10                                  | 13     | -      | -   |
| TSM70N10CH    | Single        | N-Channel | 100                    | 20                      | 70                       | 2                               | 3      | 4      | 10                                  | 13     | -      | -   |
| TSM85N10CZ    | Single        | N-Channel | 100                    | 20                      | 81                       | 2                               | 3      | 4      | 9                                   | 10     | -      | -   |
| TSM120N10PQ56 | Single        | N-Channel | 100                    | 20                      | 58                       | 2                               | 3      | 4      | 10                                  | 12     | -      | -   |
| TSM900N10CP*  | Single        | N-Channel | 100                    | 20                      | 15                       | 1.2                             | 1.6    | 2.5    | 72                                  | 90     | 75     | 100 |
| TSM900N10CH*  | Single        | N-Channel | 100                    | 20                      | 15                       | 1.2                             | 1.6    | 2.5    | 72                                  | 90     | 75     | 100 |
| TSM900N10CW*  | Single        | N-Channel | 100                    | 20                      | 6.5                      | 1.2                             | 1.6    | 2.5    | 80                                  | 95     | 85     | 110 |
| TSM15N15CP    | Single        | N-Channel | 150                    | 30                      | 12                       | 2                               | 3      | 4      | 62                                  | 75     | -      | -   |
| TSM19N20CP    | Single        | N-Channel | 200                    | 20                      | 18                       | 1                               | 2      | 3      | 80                                  | 92     | -      | -   |
| TSM600N25ECH  | Single        | N-Channel | 250                    | 30                      | 8                        | 3                               | -      | 5      | 500                                 | 600    | -      | -   |
| TSM600N25ECP  | Single        | N-Channel | 250                    | 30                      | 8                        | 3                               | -      | 5      | 500                                 | 600    | -      | -   |
| TSM1N45CT     | Single        | N-Channel | 450                    | 30                      | 1                        | 2.3                             | 3      | 3.7    | 3,400                               | 4,250  | -      | -   |
| TSM1N45CW     | Single        | N-Channel | 450                    | 50                      | 1                        | 2.3                             | 3      | 3.7    | 3,400                               | 4,250  | -      | -   |
| TSM6N50CH     | Single        | N-Channel | 500                    | 30                      | 5.6                      | 3                               | -      | 4.5    | 1,150                               | 1,400  | -      | -   |
| TSM6N50CP     | Single        | N-Channel | 500                    | 30                      | 5.6                      | 3                               | -      | 4.5    | 1,150                               | 1,400  | -      | -   |
| TSM9NB50CI    | Single        | N-Channel | 500                    | 30                      | 9                        | 2.5                             | 3.3    | 4.5    | 720                                 | 850    | -      | -   |
| TSM9NB50CZ    | Single        | N-Channel | 500                    | 30                      | 9                        | 2.5                             | 3.3    | 4.5    | 720                                 | 850    | -      | -   |
| TSM5NB50CZ    | Single        | N-Channel | 500                    | 30                      | 5                        | 3                               | -      | 4.5    | 1,300                               | 1,500  | -      | -   |
| TSM8N50CP     | Single        | N-Channel | 500                    | 20                      | 8                        | 2                               | 3      | 4      | 700                                 | 850    | -      | -   |
| TSM8N50CH     | Single        | N-Channel | 500                    | 20                      | 8                        | 2                               | 3      | 4      | 700                                 | 850    | -      | -   |
| TSM4NB50CH    | Single        | N-Channel | 500                    | 30                      | 3                        | 2.5                             | 3.5    | 4.5    | 2,300                               | 2,700  | -      | -   |
| TSM4NB50CP    | Single        | N-Channel | 500                    | 30                      | 3                        | 2.5                             | 3.5    | 4.5    | 2,300                               | 2,700  | -      | -   |
| TSM13N50CI    | Single        | N-Channel | 500                    | 30                      | 13                       | 2                               | -      | 4      | 380                                 | 480    | -      | -   |
| TSM13N50CZ    | Single        | N-Channel | 500                    | 30                      | 13                       | 2                               | -      | 4      | 380                                 | 480    | -      | -   |
| TSM13N50ACI   | Single        | N-Channel | 500                    | 30                      | 13                       | 2                               | -      | 4      | 380                                 | 480    | -      | -   |
| TSM5NB50CH    | Single        | N-Channel | 500                    | 30                      | 4.4                      | 2.5                             | -      | 4.5    | 1,300                               | 1,500  | -      | -   |
| TSM5NB50CP    | Single        | N-Channel | 500                    | 30                      | 4.4                      | 2.5                             | -      | 4.5    | 1,300                               | 1,500  | -      | -   |
| TSM5NB50CI    | Single        | N-Channel | 500                    | 30                      | 4.4                      | 2.5                             | -      | 4.5    | 1,300                               | 1,500  | -      | -   |
| TSM15N50CZ    | Single        | N-Channel | 500                    | 30                      | 14                       | 2                               | -      | 4      | 350                                 | 440    | -      | -   |
| TSM15N50CI    | Single        | N-Channel | 500                    | 30                      | 14                       | 2                               | -      | 4      | 350                                 | 440    | -      | -   |
| TSM20N50CZ    | Single        | N-Channel | 500                    | 30                      | 18                       | 2                               | -      | 4      | 250                                 | 300    | -      | -   |
| TSM20N50CI    | Single        | N-Channel | 500                    | 30                      | 18                       | 2                               | -      | 4      | 250                                 | 300    | -      | -   |
| TSM18N50CI    | Single        | N-Channel | 500                    | 30                      | 18                       | 3                               | 3.45   | 5      | 0.25                                | 0.27   | -      | -   |
| TSM18N50CZ    | Single        | N-Channel | 500                    | 30                      | 18                       | 3                               | 3.45   | 5      | 0.25                                | 0.27   | -      | -   |
| TSM1NB60CH    | Single        | N-Channel | 600                    | 30                      | 1                        | 2.5                             | -      | 4.5    | 8,000                               | 10,000 | -      | -   |
| TSM1NB60CP    | Single        | N-Channel | 600                    | 30                      | 1                        | 2.5                             | -      | 4.5    | 8,000                               | 10,000 | -      | -   |
| TSM1NB60CW    | Single        | N-Channel | 600                    | 30                      | 1                        | 2                               | -      | 4      | 8,000                               | 10,000 | -      | -   |
| TSM1NB60SCT   | Single        | N-Channel | 600                    | 30                      | 0.5                      | 2.5                             | 3.5    | 4.5    | 8,000                               | 10,000 | -      | -   |
| TSM2NB60SCW   | Single        | N-Channel | 600                    | 30                      | 0.6                      | 2                               | -      | 4      | 3.6                                 | 5      | -      | -   |
| TSM2NB60CH    | Single        | N-Channel | 600                    | 30                      | 2                        | 2                               | -      | 4      | 4,000                               | 4,400  | -      | -   |
| TSM2NB60CI    | Single        | N-Channel | 600                    | 30                      | 2                        | 2                               | -      | 4      | 4,000                               | 4,400  | -      | -   |
| TSM2NB60CP    | Single        | N-Channel | 600                    | 30                      | 2                        | 2                               | -      | 4      | 4,000                               | 4,400  | -      | -   |
| TSM2NB60CZ    | Single        | N-Channel | 600                    | 30                      | 2                        | 2                               | -      | 4      | 4,000                               | 4,400  | -      | -   |

Note. \* - Q4/2014

## MOSFETS

| R <sub>DS(ON)</sub> <sup>(mΩ)</sup> |     |        |     | Q <sub>g</sub> (nC) |       | Q <sub>gs</sub> | Q <sub>gd</sub> | C <sub>iss</sub> | C <sub>oss</sub> | C <sub>rss</sub> | Package Description |
|-------------------------------------|-----|--------|-----|---------------------|-------|-----------------|-----------------|------------------|------------------|------------------|---------------------|
| @ 2.5V                              |     | @ 1.8V |     | @10V                | @4.5V | (nC)            | (nC)            | (pF)             | (pF)             | (pF)             |                     |
| Typ                                 | Max | Typ    | Max |                     |       |                 |                 |                  |                  |                  |                     |
| -                                   | -   | -      | -   | -                   | 11.1  | 4.4             | 3               | 975              | 38               | 27               | SOT-23              |
| -                                   | -   | -      | -   | 154                 | -     | 35              | 40              | 9,840            | 750              | 260              | TO-220              |
| -                                   | -   | -      | -   | 34                  | -     | 6               | 9               | 1,598            | 132              | 45               | D-PAK (TO-252)      |
| -                                   | -   | -      | -   | 145                 | -     | 25              | 43              | 4,300            | 300              | 120              | D-PAK (TO-252)      |
| -                                   | -   | -      | -   | 145                 | -     | 25              | 43              | 4,300            | 300              | 120              | TO-251/TO-251S      |
| -                                   | -   | -      | -   | 154                 | -     | 4               | 45              | 3,900            | 300              | 170              | TO-220              |
| -                                   | -   | -      | -   | 145                 | -     | 25              | 43              | 3,902            | 251              | 92               | PDFN56              |
| -                                   | -   | -      | -   | 9.3                 | -     | 2.1             | 1.8             | 1,480            | 480              | 35               | D-PAK (TO-252)      |
| -                                   | -   | -      | -   | 9.3                 | -     | 2.1             | 1.8             | 1,480            | 480              | 35               | I-PAK (TO-251)      |
| -                                   | -   | -      | -   | 9.3                 | -     | 2.1             | 1.8             | 1,480            | 480              | 35               | SOT-223             |
| -                                   | -   | -      | -   | 20.9                | -     | 4.4             | 6.5             | 980              | 127              | 58               | D-PAK (TO-252)      |
| -                                   | -   | -      | -   | 25.4                | -     | 18              | 17              | 2,300            | 145              | 73               | D-PAK (TO-252)      |
| -                                   | -   | -      | -   | 8.4                 | -     | 1.9             | 4               | 423              | 74               | 12               | I-PAK (TO-251)      |
| -                                   | -   | -      | -   | 8.4                 | -     | 1.9             | 4               | 423              | 74               | 12               | D-PAK (TO-252)      |
| -                                   | -   | -      | -   | 6.5                 | -     | 1.3             | 3.2             | 235              | 29               | 6.5              | TO-92               |
| -                                   | -   | -      | -   | 6.5                 | -     | 1.3             | 3.2             | 235              | 29               | 6.5              | SOT-223             |
| -                                   | -   | -      | -   | 12.8                | -     | 5               | 10              | 680              | 85               | 15               | I-PAK (TO-251)      |
| -                                   | -   | -      | -   | 12.8                | -     | 5               | 10              | 680              | 85               | 15               | D-PAK (TO-252)      |
| -                                   | -   | -      | -   | 63                  | -     | 8               | 27.4            | 1,019            | 129              | 15               | ITO-220             |
| -                                   | -   | -      | -   | 63                  | -     | 8               | 27.4            | 1,019            | 129              | 15               | TO-220              |
| -                                   | -   | -      | -   | 14                  | -     | 4.5             | 5.5             | 552              | 83               | 18               | TO-220              |
| -                                   | -   | -      | -   | 26.6                | -     | 5.4             | 6.82            | 1,595            | 127.4            | 14.5             | D-PAK (TO-252)      |
| -                                   | -   | -      | -   | 26.6                | -     | 5.4             | 6.82            | 1,595            | 127.4            | 14.5             | I-PAK (TO-251)      |
| -                                   | -   | -      | -   | 7.6                 | -     | 1.8             | 3.8             | 327              | 60               | 18               | I-PAK (TO-251)      |
| -                                   | -   | -      | -   | 7.6                 | -     | 1.8             | 3.8             | 327              | 60               | 18               | D-PAK (TO-252)      |
| -                                   | -   | -      | -   | 36                  | -     | 8.5             | 8.7             | 1,918            | 187              | 7.7              | ITO-220             |
| -                                   | -   | -      | -   | 36                  | -     | 8.5             | 8.7             | 1,918            | 187              | 7.7              | TO-220              |
| -                                   | -   | -      | -   | 31                  | -     | 11              | 7               | 1,965            | 185              | 11               | ITO-330             |
| -                                   | -   | -      | -   | 12.4                | -     | 4.5             | 5.5             | 552              | 83               | 18               | I-PAK (TO-251)      |
| -                                   | -   | -      | -   | 12.4                | -     | 4.5             | 5.5             | 552              | 83               | 18               | D-PAK (TO-252)      |
| -                                   | -   | -      | -   | 12.4                | -     | 4.5             | 5.5             | 552              | 83               | 18               | ITO-220             |
| -                                   | -   | -      | -   | 39                  | -     | 11              | 8.6             | 2,263            | 211              | 6.4              | TO-220              |
| -                                   | -   | -      | -   | 39                  | -     | 11              | 8.6             | 2,263            | 211              | 6.4              | ITO-220             |
| -                                   | -   | -      | -   | 54                  | -     | 15              | 12.5            | 3,094            | 296              | 9.2              | TO-220              |
| -                                   | -   | -      | -   | 54                  | -     | 15              | 12.5            | 3,094            | 296              | 9.2              | ITO-220             |
| -                                   | -   | -      | -   | 44                  | -     | 18              | 13              | 2,573            | 308              | 8                | ITO-220             |
| -                                   | -   | -      | -   | 44                  | -     | 18              | 13              | 2,573            | 308              | 8                | TO-220              |
| -                                   | -   | -      | -   | 6.1                 | -     | 1.4             | 3.3             | 138              | 17.1             | 4.2              | I-PAK (TO-251)      |
| -                                   | -   | -      | -   | 6.1                 | -     | 1.4             | 3.3             | 138              | 17.1             | 4.2              | D-PAK (TO-252)      |
| -                                   | -   | -      | -   | 6.1                 | -     | 1.4             | 3.3             | 138              | 17.1             | 4.2              | SOT-223             |
| -                                   | -   | -      | -   | 6.1                 | -     | 1.4             | 3.3             | 138              | 17.1             | 4.2              | TO-92               |
| -                                   | -   | -      | -   | 22                  | -     | 2               | 6               | 435              | 56               | 9.2              | SOT-223             |
| -                                   | -   | -      | -   | 9.5                 | -     | 2.2             | 4.7             | 249              | 30.7             | 5                | I-PAK (TO-251)      |
| -                                   | -   | -      | -   | 9.5                 | -     | 2.2             | 4.7             | 249              | 30.7             | 5                | ITO-220             |
| -                                   | -   | -      | -   | 9.5                 | -     | 2.2             | 4.7             | 249              | 30.7             | 5                | D-PAK (TO-252)      |
| -                                   | -   | -      | -   | 9.5                 | -     | 2.2             | 4.7             | 249              | 30.7             | 5                | TO-220              |

## MOSFETS

| Part Number  | Configuration | Type      | V <sub>DS</sub><br>(V) | V <sub>GS</sub><br>±(V) | I <sub>D</sub><br>Max(A) | V <sub>GS</sub> <sup>(th)</sup> |        |        | R <sub>DS(ON)</sub> <sup>(mΩ)</sup> |         |        |     |
|--------------|---------------|-----------|------------------------|-------------------------|--------------------------|---------------------------------|--------|--------|-------------------------------------|---------|--------|-----|
|              |               |           |                        |                         |                          | Min(V)                          | Typ(V) | Max(V) | @ 10V                               |         | @ 4.5V |     |
|              |               |           |                        |                         |                          |                                 |        |        | Typ                                 | Max     | Typ    | Max |
| TSM60N1R4CP  | Single        | N-Channel | 600                    | 30                      | 3.3                      | 2                               | 3      | 4      | 0.88                                | 1.4     | -      | -   |
| TSM60N1R4CH  | Single        | N-Channel | 600                    | 30                      | 3.3                      | 2                               | 3      | 4      | 0.88                                | 1.4     | -      | -   |
| TSM4NB60CH   | Single        | N-Channel | 600                    | 30                      | 4                        | 2.3                             | 3.5    | 4.5    | 4,500                               | 2,500   | -      | -   |
| TSM4NB60CI   | Single        | N-Channel | 600                    | 30                      | 4                        | 2                               | -      | 4      | 4,000                               | 2,500   | -      | -   |
| TSM4NB60CP   | Single        | N-Channel | 600                    | 30                      | 4                        | 2                               | -      | 4      | 4,000                               | 2,500   | -      | -   |
| TSM4NB60CZ   | Single        | N-Channel | 600                    | 30                      | 4                        | 2                               | -      | 4      | 4,000                               | 2,500   | -      | -   |
| TSM7N60CZ    | Single        | N-Channel | 600                    | 30                      | 7                        | 2                               | -      | 4      | 4,000                               | 1,200   | -      | -   |
| TSM6N60CP    | Single        | N-Channel | 600                    | 30                      | 6                        | 2                               | 2.75   | 4      | 4,000                               | 1,250   | -      | -   |
| TSM6N60CH    | Single        | N-Channel | 600                    | 30                      | 6                        | 2                               | 2.75   | 4      | 4,000                               | 1,250   | -      | -   |
| TSM10N60CI   | Single        | N-Channel | 600                    | 30                      | 10                       | 2                               | -      | 4      | 4,000                               | 750     | -      | -   |
| TSM10N60CZ   | Single        | N-Channel | 600                    | 30                      | 10                       | 2                               | -      | 4      | 4,000                               | 750     | -      | -   |
| TSM6NB60CI   | Single        | N-Channel | 600                    | 30                      | 6                        | 2.5                             | 3.6    | 4.5    | 4,500                               | 1,600   | -      | -   |
| TSM6NB60CZ   | Single        | N-Channel | 600                    | 30                      | 6                        | 2.5                             | 3.6    | 4.5    | 4,500                               | 1,600   | -      | -   |
| TSM126CX     | Single        | N-Channel | 600                    | 20                      | 0.03                     | -2.7                            | -1.8   | -1     | 400,000                             | 800,000 | -      | -   |
| TSM60N900CP  | Single        | N-Channel | 600                    | 30                      | 4.5                      | 2                               | 3      | 4      | 720                                 | 900     | -      | -   |
| TSM60N900CH  | Single        | N-Channel | 600                    | 30                      | 4.5                      | 2                               | 3      | 4      | 720                                 | 900     | -      | -   |
| TSM60N900CI  | Single        | N-Channel | 600                    | 30                      | 4.5                      | 2                               | 3      | 4      | 720                                 | 900     | -      | -   |
| TSM60N750CP  | Single        | N-Channel | 600                    | 30                      | 6                        | 2                               | 3      | 4      | 620                                 | 750     | -      | -   |
| TSM60N750CH  | Single        | N-Channel | 600                    | 30                      | 6                        | 2                               | 3      | 4      | 620                                 | 750     | -      | -   |
| TSM60N750CI* | Single        | N-Channel | 600                    | 30                      | 6                        | 2                               | 3      | 4      | 620                                 | 750     | -      | -   |
| TSM60N600CP  | Single        | N-Channel | 600                    | 30                      | 8                        | 2                               | 3      | 4      | 460                                 | 600     | -      | -   |
| TSM60N600CH  | Single        | N-Channel | 600                    | 30                      | 8                        | 2                               | 3      | 4      | 460                                 | 600     | -      | -   |
| TSM60N600CI  | Single        | N-Channel | 600                    | 30                      | 8                        | 2                               | 3      | 4      | 460                                 | 600     | -      | -   |
| TSM60N380CP  | Single        | N-Channel | 600                    | 30                      | 11                       | 2                               | 3      | 4      | 310                                 | 380     | -      | -   |
| TSM60N380CH  | Single        | N-Channel | 600                    | 30                      | 11                       | 2                               | 3      | 4      | 310                                 | 380     | -      | -   |
| TSM60N380CI  | Single        | N-Channel | 600                    | 30                      | 11                       | 2                               | 3      | 4      | 310                                 | 380     | -      | -   |
| TSM4NB65CH   | Single        | N-Channel | 650                    | 30                      | 4                        | 2.5                             | 3.6    | 4.5    | 2,700                               | 3,370   | -      | -   |
| TSM4NB65CI   | Single        | N-Channel | 650                    | 30                      | 4                        | 2.5                             | 3.6    | 4.5    | 2,700                               | 3,370   | -      | -   |
| TSM4NB65CP   | Single        | N-Channel | 650                    | 30                      | 4                        | 2.5                             | 3.6    | 4.5    | 2,700                               | 3,370   | -      | -   |
| TSM4NB65CZ   | Single        | N-Channel | 650                    | 30                      | 4                        | 2.5                             | 3.6    | 4.5    | 2,700                               | 3,370   | -      | -   |
| TSM7N65CI    | Single        | N-Channel | 650                    | 30                      | 6.4                      | 2                               | -      | 4      | 1,000                               | 1,200   | -      | -   |
| TSM7N65CZ    | Single        | N-Channel | 650                    | 30                      | 6.4                      | 2                               | -      | 4      | 1,000                               | 1,200   | -      | -   |
| TSM12N65CI   | Single        | N-Channel | 650                    | 30                      | 12                       | 2                               | -      | 4      | 680                                 | 800     | -      | -   |
| TSM2N70CH    | Single        | N-Channel | 700                    | 30                      | 2                        | 2                               | -      | 4      | 5,250                               | 6,500   | -      | -   |
| TSM70N1R4CP  | Single        | N-Channel | 700                    | 30                      | 3.3                      | 2                               | 3      | 4      | 0.9                                 | 1.4     | -      | -   |
| TSM70N1R4CH  | Single        | N-Channel | 700                    | 30                      | 3.3                      | 2                               | 3      | 4      | 0.9                                 | 1.4     | -      | -   |
| TSM70N1R4CI  | Single        | N-Channel | 700                    | 30                      | 3.3                      | 2                               | 3      | 4      | 0.9                                 | 1.4     | -      | -   |
| TSM2N70CP    | Single        | N-Channel | 700                    | 30                      | 2                        | 2                               | -      | 4      | 5,250                               | 6,500   | -      | -   |
| TSM8N70CI    | Single        | N-Channel | 700                    | 30                      | 8                        | 2                               | -      | 4      | 750                                 | 900     | -      | -   |
| TSM70N900CP  | Single        | N-Channel | 700                    | 30                      | 4.5                      | 2                               | 3      | 4      | 850                                 | 900     | -      | -   |
| TSM70N900CH  | Single        | N-Channel | 700                    | 30                      | 4.5                      | 2                               | 3      | 4      | 850                                 | 900     | -      | -   |
| TSM70N900CI  | Single        | N-Channel | 700                    | 30                      | 4.5                      | 2                               | 3      | 4      | 850                                 | 900     | -      | -   |
| TSM70N750CP  | Single        | N-Channel | 700                    | 30                      | 6                        | 2                               | 3      | 4      | 620                                 | 750     | -      | -   |
| TSM70N750CH  | Single        | N-Channel | 700                    | 30                      | 6                        | 2                               | 3      | 4      | 620                                 | 750     | -      | -   |
| TSM70N750CI  | Single        | N-Channel | 700                    | 30                      | 6                        | 2                               | 3      | 4      | 620                                 | 750     | -      | -   |
| TSM70N600CP  | Single        | N-Channel | 700                    | 30                      | 8                        | 2                               | 3      | 4      | 530                                 | 600     | -      | -   |

Note. \* - Q4/2014

## MOSFETS

| R <sub>DS(ON)</sub> <sup>(mΩ)</sup> |     |        |     | Q <sub>g</sub> (nC) |       | Q <sub>gs</sub> | Q <sub>gd</sub> | C <sub>iss</sub> | C <sub>oss</sub> | C <sub>rss</sub> | Package Description |
|-------------------------------------|-----|--------|-----|---------------------|-------|-----------------|-----------------|------------------|------------------|------------------|---------------------|
| @ 2.5V                              |     | @ 1.8V |     | @10V                | @4.5V | (nC)            | (nC)            | (pF)             | (pF)             | (pF)             |                     |
| Typ                                 | Max | Typ    | Max |                     |       |                 |                 |                  |                  |                  |                     |
| -                                   | -   | -      | -   | 7.7                 | -     | 1.9             | 2.8             | 370              | 34               | -                | TO-252              |
| -                                   | -   | -      | -   | 7.7                 | -     | 1.9             | 2.8             | 370              | 34               | -                | TO-251              |
| -                                   | -   | -      | -   | 24                  | -     | 3.4             | 7               | 500              | 53.2             | 7                | I-PAK (TO-251)      |
| -                                   | -   | -      | -   | 24                  | -     | 3.4             | 7               | 500              | 53.2             | 7                | ITO-220             |
| -                                   | -   | -      | -   | 24                  | -     | 3.4             | 7               | 500              | 53.2             | 7                | D-PAK (TO-252)      |
| -                                   | -   | -      | -   | 24                  | -     | 3.4             | 7               | 500              | 53.2             | 7                | TO-220              |
| -                                   | -   | -      | -   | -                   | -     | 5.5             | 11              | 950              | 85               | 12               | TO-220              |
| -                                   | -   | -      | -   | 20.7                | -     | 5.1             | 5.4             | 1,248            | 117              | 11.3             | D-PAK (TO-252)      |
| -                                   | -   | -      | -   | 20.7                | -     | 5.1             | 5.4             | 1,248            | 117              | 11.3             | I-PAK (TO-251)      |
| -                                   | -   | -      | -   | 45.8                | -     | 11.5            | 16              | 1,738            | 195              | 26.3             | ITO-220             |
| -                                   | -   | -      | -   | 45.8                | -     | 11.5            | 16              | 1,738            | 195              | 26.3             | TO-220              |
| -                                   | -   | -      | -   | 19                  | -     | 5.7             | 6.7             | 841              | 78.4             | 5.7              | ITO-220             |
| -                                   | -   | -      | -   | 19                  | -     | 5.7             | 6.7             | 841              | 78.4             | 5.7              | TO-220              |
| -                                   | -   | -      | -   | -                   | 1.18  | 0.49            | 0.365           | 51               | 4.48             | 1.12             | SOT-23              |
| -                                   | -   | -      | -   | 9.7                 | -     | 2.3             | 3.6             | 480              | 36               | -                | D-PAK (TO-252)      |
| -                                   | -   | -      | -   | 9.7                 | -     | 2.3             | 3.6             | 480              | 36               | -                | I-PAK (TO-251)      |
| -                                   | -   | -      | -   | 9.7                 | -     | 2.3             | 3.6             | 480              | 36               | -                | ITO-220             |
| -                                   | -   | -      | -   | 10.8                | -     | 22.7            | 3.7             | 554              | 46               | -                | D-PAK (TO-252)      |
| -                                   | -   | -      | -   | 10.8                | -     | 22.7            | 3.7             | 554              | 46               | -                | I-PAK (TO-251)      |
| -                                   | -   | -      | -   | 10.8                | -     | 22.7            | 3.7             | 554              | 46               | -                | ITO-220             |
| -                                   | -   | -      | -   | 12.6                | -     | 2.9             | 4.5             | 743              | 66               | -                | D-PAK (TO-252)      |
| -                                   | -   | -      | -   | 12.6                | -     | 2.9             | 4.5             | 743              | 66               | -                | I-PAK (TO-251)      |
| -                                   | -   | -      | -   | 12.6                | -     | 2.9             | 4.5             | 743              | 66               | -                | ITO-220             |
| -                                   | -   | -      | -   | 20.5                | -     | 4.8             | 6.5             | 1,071            | 62               | -                | D-PAK (TO-252)      |
| -                                   | -   | -      | -   | 20.5                | -     | 4.8             | 6.5             | 1,071            | 62               | -                | I-PAK (TO-251)      |
| -                                   | -   | -      | -   | 20.5                | -     | 4.8             | 6.5             | 1,071            | 62               | -                | ITO-220             |
| -                                   | -   | -      | -   | 14.5                | -     | 3.4             | 7               | 500              | 53.2             | 7                | I-PAK (TO-251)      |
| -                                   | -   | -      | -   | 14.5                | -     | 3.4             | 7               | 500              | 53.2             | 7                | ITO-220             |
| -                                   | -   | -      | -   | 14.5                | -     | 3.4             | 7               | 500              | 53.2             | 7                | D-PAK (TO-252)      |
| -                                   | -   | -      | -   | 14.5                | -     | 3.4             | 7               | 500              | 53.2             | 7                | TO-220              |
| -                                   | -   | -      | -   | 42                  | -     | 6               | 11              | 905              | 115              | 25               | ITO-220             |
| -                                   | -   | -      | -   | 42                  | -     | 6               | 11              | 905              | 115              | 25               | TO-220              |
| -                                   | -   | -      | -   | 41                  | -     | 13              | 10.5            | 2,162            | 183              | 14.6             | ITO-220             |
| -                                   | -   | -      | -   | 11                  | -     | 1.6             | 4               | 320              | 35               | 4.5              | I-PAK (TO-251)      |
| -                                   | -   | -      | -   | 7.7                 | -     | 1.9             | 2.8             | 370              | 34               | -                | TO-252              |
| -                                   | -   | -      | -   | 7.7                 | -     | 1.9             | 2.8             | 370              | 34               | -                | TO-251              |
| -                                   | -   | -      | -   | 7.7                 | -     | 1.9             | 2.8             | 370              | 34               | -                | ITO-220             |
| -                                   | -   | -      | -   | 11                  | -     | 1.6             | 4               | 320              | 35               | 4.5              | D-PAK (TO-252)      |
| -                                   | -   | -      | -   | 32                  | -     | 9               | 8               | 2,006            | 148              | 13.7             | ITO-220             |
| -                                   | -   | -      | -   | 9.7                 | -     | 2.9             | 3.5             | 482              | 34               | -                | D-PAK (TO-252)      |
| -                                   | -   | -      | -   | 9.7                 | -     | 2.9             | 3.5             | 482              | 34               | -                | I-PAK (TO-251)      |
| -                                   | -   | -      | -   | 9.7                 | -     | 2.9             | 3.5             | 482              | 34               | -                | ITO-220             |
| -                                   | -   | -      | -   | 10.7                | -     | 2.8             | 3.5             | 555              | 39               | -                | D-PAK (TO-252)      |
| -                                   | -   | -      | -   | 10.7                | -     | 2.8             | 3.5             | 555              | 39               | -                | I-PAK (TO-251)      |
| -                                   | -   | -      | -   | 10.7                | -     | 2.8             | 3.5             | 555              | 39               | -                | ITO-220             |
| -                                   | -   | -      | -   | 12.6                | -     | 2.9             | 4.5             | 743              | 66               | -                | D-PAK (TO-252)      |



## MOSFETS

| Part Number    | Configuration | Type      | V <sub>DS</sub><br>(V) | V <sub>GS</sub><br>±(V) | I <sub>D</sub><br>Max(A) | V <sub>GS</sub> <sup>(th)</sup> |        |        | R <sub>DS(ON)</sub> <sup>(mΩ)</sup> |        |        |     |
|----------------|---------------|-----------|------------------------|-------------------------|--------------------------|---------------------------------|--------|--------|-------------------------------------|--------|--------|-----|
|                |               |           |                        |                         |                          | Min(V)                          | Typ(V) | Max(V) | @ 10V                               |        | @ 4.5V |     |
|                |               |           |                        |                         |                          |                                 |        |        | Typ                                 | Max    | Typ    | Max |
| TSM70N600CH    | Single        | N-Channel | 700                    | 30                      | 8                        | 2                               | 3      | 4      | 530                                 | 600    | -      | -   |
| TSM70N600CI    | Single        | N-Channel | 700                    | 30                      | 8                        | 2                               | 3      | 4      | 530                                 | 600    | -      | -   |
| TSM70N380CP    | Single        | N-Channel | 700                    | 30                      | 11                       | 2                               | 3      | 4      | 360                                 | 380    | -      | -   |
| TSM70N380CH    | Single        | N-Channel | 700                    | 30                      | 11                       | 2                               | 3      | 4      | 360                                 | 380    | -      | -   |
| TSM70N380CI    | Single        | N-Channel | 700                    | 30                      | 11                       | 2                               | 3      | 4      | 360                                 | 380    | -      | -   |
| TSM1N80CW      | Single        | N-Channel | 800                    | 30                      | 0.3                      | 3                               | -      | 5      | 18,000                              | 21,600 | -      | -   |
| TSM3N80CH      | Single        | N-Channel | 800                    | 30                      | 3                        | 2                               | -      | 4      | 3,300                               | 4,200  | -      | -   |
| TSM3N80CI      | Single        | N-Channel | 800                    | 30                      | 3                        | 2                               | -      | 4      | 3,300                               | 4,200  | -      | -   |
| TSM3N80CP      | Single        | N-Channel | 800                    | 30                      | 3                        | 2                               | -      | 4      | 3,300                               | 4,200  | -      | -   |
| TSM3N80CZ      | Single        | N-Channel | 800                    | 30                      | 3                        | 2                               | -      | 4      | 3,300                               | 4,200  | -      | -   |
| TSM4N80CI      | Single        | N-Channel | 800                    | 30                      | 4                        | 2                               | -      | 4      | 2,500                               | 3,000  | -      | -   |
| TSM4N80CZ      | Single        | N-Channel | 800                    | 30                      | 4                        | 2                               | -      | 4      | 2,500                               | 3,000  | -      | -   |
| TSM8N80CI      | Single        | N-Channel | 800                    | 30                      | 8                        | 2                               | -      | 4      | 1,100                               | 1,400  | -      | -   |
| TSM8N80CZ      | Single        | N-Channel | 800                    | 30                      | 8                        | 2                               | -      | 4      | 1,100                               | 1,400  | -      | -   |
| TSM10N80CI     | Single        | N-Channel | 800                    | 30                      | 9.5                      | 2                               | -      | 4      | 900                                 | 1,050  | -      | -   |
| TSM10N80CZ     | Single        | N-Channel | 800                    | 30                      | 9.5                      | 2                               | -      | 4      | 900                                 | 1,050  | -      | -   |
| TSM3N90CH      | Single        | N-Channel | 900                    | 30                      | 2.5                      | 2                               | -      | 4      | 4,300                               | 5,100  | -      | -   |
| TSM3N90CI      | Single        | N-Channel | 900                    | 30                      | 2.5                      | 2                               | -      | 4      | 4,300                               | 5,100  | -      | -   |
| TSM3N90CP      | Single        | N-Channel | 900                    | 30                      | 2.5                      | 2                               | -      | 4      | 4,300                               | 5,100  | -      | -   |
| TSM3N90CZ      | Single        | N-Channel | 900                    | 30                      | 2.5                      | 2                               | -      | 4      | 4,300                               | 5,100  | -      | -   |
| TSM4N90CI      | Single        | N-Channel | 900                    | 30                      | 4                        | 2                               | -      | 4      | 3,200                               | 4,000  | -      | -   |
| TSM4N90CZ      | Single        | N-Channel | 900                    | 30                      | 4                        | 2                               | -      | 4      | 3,200                               | 4,000  | -      | -   |
| TSM7N90CI      | Single        | N-Channel | 900                    | 30                      | 7                        | 2                               | -      | 4      | 1,520                               | 1,900  | -      | -   |
| TSM7N90CZ      | Single        | N-Channel | 900                    | 30                      | 7                        | 2                               | -      | 4      | 1,520                               | 1,900  | -      | -   |
| TSM9N90CI      | Single        | N-Channel | 900                    | 30                      | 9                        | 2                               | -      | 4      | 1,130                               | 1,400  | -      | -   |
| TSM9N90CZ      | Single        | N-Channel | 900                    | 30                      | 9                        | 2                               | -      | 4      | 1,130                               | 1,400  | -      | -   |
| TSM680P06DQ56* | Dual          | P-Channel | -60                    | 20                      | -12                      | -1.2                            | -1.6   | -2.2   | 54                                  | 68     | 72     | 85  |
| TSM4925DCS     | Dual          | P-Channel | -30                    | 20                      | -7.1                     | -1                              | -      | -3     | 20                                  | 25     | 33     | 41  |
| TSM4953DCS     | Dual          | P-Channel | -30                    | 20                      | -4.9                     | -1                              | -1.7   | -3     | 50                                  | 60     | 75     | 90  |
| TSM9933DCS     | Dual          | P-Channel | -20                    | 12                      | -4.7                     | -0.6                            | -      | -1.4   | -                                   | -      | 48     | 60  |
| TSM6963SDCA    | Dual          | P-Channel | -20                    | 12                      | -5                       | -0.5                            | -      | -1     | -                                   | -      | 23     | 30  |
| TSM3911DCX6    | Dual          | P-Channel | -20                    | 8                       | -2.2                     | -0.45                           | -      | -0.95  | -                                   | -      | 115    | 140 |
| TSM22P10CZ*    | Single        | P-Channel | -100                   | 25                      | -22                      | -1                              | -      | -3     | 90                                  | 120    | 100    | 130 |
| TSM22P10CI*    | Single        | P-Channel | -100                   | 25                      | -22                      | -1                              | -      | -3     | 90                                  | 120    | 100    | 130 |
| TSM480P06CP    | Single        | P-Channel | -60                    | 20                      | -20                      | -1.2                            | -1.6   | -2.2   | 39                                  | 48     | 53     | 65  |
| TSM480P06CH    | Single        | P-Channel | -60                    | 20                      | -20                      | -1.2                            | -1.6   | -2.2   | 39                                  | 48     | 53     | 65  |
| TSM480P06CZ*   | Single        | P-Channel | -60                    | 20                      | -20                      | -1.2                            | -1.6   | -2.2   | 39                                  | 48     | 53     | 65  |
| TSM480P06CI*   | Single        | P-Channel | -60                    | 20                      | -20                      | -1.2                            | -1.6   | -2.2   | 39                                  | 48     | 53     | 65  |
| TSM680P06CP    | Single        | P-Channel | -60                    | 20                      | -18                      | -1.2                            | -1.6   | -2.2   | 54                                  | 68     | 72     | 85  |
| TSM680P06CH    | Single        | P-Channel | -60                    | 20                      | -18                      | -1.2                            | -1.6   | -2.2   | 54                                  | 68     | 72     | 85  |
| TSM680P06CZ*   | Single        | P-Channel | -60                    | 20                      | -18                      | -1.2                            | -1.6   | -2.2   | 54                                  | 68     | 72     | 85  |
| TSM680P06CI*   | Single        | P-Channel | -60                    | 20                      | -18                      | -1.2                            | -1.6   | -2.2   | 54                                  | 68     | 72     | 85  |
| TSM10P06CP     | Single        | P-Channel | -60                    | 20                      | -10                      | -1                              | -      | -3     | 130                                 | 170    | 170    | 220 |
| TSM7P06CP      | Single        | P-Channel | -60                    | 20                      | -7                       | -1.2                            | -1.6   | -2.5   | 153                                 | 180    | 198    | 220 |
| TSM9409CS      | Single        | P-Channel | -60                    | 20                      | -3.5                     | -1                              | -      | -3     | 125                                 | 155    | 153    | 200 |
| TSM2309CX*     | Single        | P-Channel | -60                    | 20                      | -3.1                     | -1.2                            | -1.9   | -2.5   | 160                                 | 190    | 200    | 240 |

Note. \* - Q4/2014

## MOSFETS

| R <sub>DS(ON)</sub> <sup>(mΩ)</sup> |     |        |     | Q <sub>g</sub> (nC) |       | Q <sub>gs</sub> | Q <sub>gd</sub> | C <sub>iss</sub> | C <sub>oss</sub> | C <sub>rss</sub> | Package Description |
|-------------------------------------|-----|--------|-----|---------------------|-------|-----------------|-----------------|------------------|------------------|------------------|---------------------|
| @ 2.5V                              |     | @ 1.8V |     |                     |       |                 |                 |                  |                  |                  |                     |
| Typ                                 | Max | Typ    | Max | @10V                | @4.5V | (nC)            | (nC)            | (pF)             | (pF)             | (pF)             |                     |
| -                                   | -   | -      | -   | 12.6                | -     | 2.9             | 4.5             | 743              | 66               | -                | I-PAK (TO-251)      |
| -                                   | -   | -      | -   | 12.6                | -     | 2.9             | 4.5             | 743              | 66               | -                | ITO-220             |
| -                                   | -   | -      | -   | 19.7                | -     | 5.7             | 5               | 995              | 904              | -                | D-PAK (TO-252)      |
| -                                   | -   | -      | -   | 19.7                | -     | 5.7             | 5               | 995              | 904              | -                | I-PAK (TO-251)      |
| -                                   | -   | -      | -   | 19.7                | -     | 5.7             | 5               | 995              | 904              | -                | ITO-220             |
| -                                   | -   | -      | -   | 6                   | -     | 1               | 2               | 155              | 20               | 2.7              | SOT-223             |
| -                                   | -   | -      | -   | 19                  | -     | 4               | 7.6             | 696              | 65               | 10.2             | I-PAK (TO-251)      |
| -                                   | -   | -      | -   | 19                  | -     | 4               | 7.6             | 696              | 65               | 10.2             | ITO-220             |
| -                                   | -   | -      | -   | 19                  | -     | 4               | 7.6             | 696              | 65               | 10.2             | D-PAK (TO-252)      |
| -                                   | -   | -      | -   | 19                  | -     | 4               | 7.6             | 696              | 65               | 10.2             | TO-220              |
| -                                   | -   | -      | -   | 20                  | -     | 3.7             | 8.2             | 955              | 80               | 13               | ITO-220             |
| -                                   | -   | -      | -   | 20                  | -     | 3.7             | 8.2             | 955              | 80               | 13               | TO-220              |
| -                                   | -   | -      | -   | 41                  | -     | 10              | 11              | 1,921            | 146              | 12               | ITO-220             |
| -                                   | -   | -      | -   | 41                  | -     | 10              | 11              | 1,921            | 146              | 12               | TO-220              |
| -                                   | -   | -      | -   | 53                  | -     | 10              | 23              | 2,336            | 214              | 29               | ITO-220             |
| -                                   | -   | -      | -   | 53                  | -     | 10              | 23              | 2,336            | 214              | 29               | TO-220              |
| -                                   | -   | -      | -   | 25                  | -     | 2.4             | 6.6             | 748              | 55               | 8.7              | I-PAK (TO-251)      |
| -                                   | -   | -      | -   | 25                  | -     | 2.4             | 6.6             | 748              | 55               | 8.7              | ITO-220             |
| -                                   | -   | -      | -   | 25                  | -     | 2.4             | 6.6             | 748              | 55               | 8.7              | D-PAK (TO-252)      |
| -                                   | -   | -      | -   | 25                  | -     | 2.4             | 6.6             | 748              | 55               | 8.7              | TO-220              |
| -                                   | -   | -      | -   | 25                  | -     | 4.8             | 10.2            | 955              | 80               | 13               | ITO-220             |
| -                                   | -   | -      | -   | 25                  | -     | 4.8             | 10.2            | 955              | 80               | 13               | TO-220              |
| -                                   | -   | -      | -   | 49                  | -     | 7               | 20              | 1,969            | 133              | 11               | ITO-220             |
| -                                   | -   | -      | -   | 49                  | -     | 7               | 20              | 1,969            | 133              | 11               | TO-220              |
| -                                   | -   | -      | -   | 65                  | -     | 11              | 23              | 2,324            | 184              | 29               | ITO-220             |
| -                                   | -   | -      | -   | 65                  | -     | 11              | 23              | 2,324            | 184              | 29               | TO-220              |
| -                                   | -   | -      | -   | 16.4                | -     | 2.8             | 3.6             | 870              | 70               | 42               | PDFN56              |
| -                                   | -   | -      | -   | 33                  | -     | 5.8             | 8.6             | 1,573            | 319              | 211              | SOP-8               |
| -                                   | -   | -      | -   | 28                  | -     | 3               | 7               | 745              | 440              | 120              | SOP-8               |
| 65                                  | 85  | -      | -   | -                   | 8.5   | 2.1             | 4.7             | 1,500            | 220              | 160              | SOP-8               |
| 30                                  | 42  | 45     | 68  | -                   | 20    | 1.4             | 1.9             | 640              | 180              | 90               | TSSOP-8             |
| 163                                 | 200 | 220    | 300 | -                   | 15.23 | 5.49            | 2.74            | 883              | 145.54           | 97.26            | SOT-26              |
| -                                   | -   | -      | -   | 42                  | -     | 8               | 5.6             | 2,250            | 130              | 90               | TO-220              |
| -                                   | -   | -      | -   | 42                  | -     | 8               | 5.6             | 2,250            | 130              | 90               | ITO-220             |
| -                                   | -   | -      | -   | 22.4                | -     | 4.1             | 5.2             | 1,250            | 85               | 65               | D-PAK (TO-252)      |
| -                                   | -   | -      | -   | 22.4                | -     | 4.1             | 5.2             | 1,250            | 85               | 65               | I-PAK (TO-251)      |
| -                                   | -   | -      | -   | 22.4                | -     | 4.1             | 5.2             | 1,250            | 85               | 65               | TO-220              |
| -                                   | -   | -      | -   | 22.4                | -     | 4.1             | 5.2             | 1,250            | 85               | 65               | ITO-220             |
| -                                   | -   | -      | -   | 16.4                | -     | 2.8             | 3.6             | 870              | 70               | 42               | D-PAK (TO-252)      |
| -                                   | -   | -      | -   | 16.4                | -     | 2.8             | 3.6             | 870              | 70               | 42               | I-PAK (TO-251)      |
| -                                   | -   | -      | -   | 16.4                | -     | 2.8             | 3.6             | 870              | 70               | 42               | TO-220              |
| -                                   | -   | -      | -   | 16.4                | -     | 2.8             | 3.6             | 870              | 70               | 42               | ITO-220             |
| -                                   | -   | -      | -   | 6                   | -     | 1.7             | 1.5             | 540              | 60               | 30               | D-PAK (TO-252)      |
| -                                   | -   | -      | -   | 8.2                 | -     | 1.8             | 1.5             | 425              | 35               | 20               | D-PAK (TO-252)      |
| -                                   | -   | -      | -   | 6                   | -     | 1.7             | 1.5             | 540              | 60               | 30               | SOP-8               |
| -                                   | -   | -      | -   | 8.2                 | -     | 1.8             | 1.5             | 425              | 35               | 20               | SOT-23              |

# MOSFETS

# MOSFETS

| Part Number   | Configuration | Type                          | V <sub>DS</sub><br>(V) | V <sub>GS</sub><br>±(V) | I <sub>D</sub><br>Max(A) | V <sub>GS</sub> <sup>(th)</sup> |        |        | R <sub>DS(ON)</sub> <sup>(mΩ)</sup> |     |        |     |
|---------------|---------------|-------------------------------|------------------------|-------------------------|--------------------------|---------------------------------|--------|--------|-------------------------------------|-----|--------|-----|
|               |               |                               |                        |                         |                          | Min(V)                          | Typ(V) | Max(V) | @ 10V                               |     | @ 4.5V |     |
|               |               |                               |                        |                         |                          |                                 |        |        | Typ                                 | Max | Typ    | Max |
| TSM150P03PQ33 | Single        | P-Channel                     | -30                    | 20                      | -30                      | -1.2                            | -1.6   | -2.5   | 13                                  | 15  | 22     | 25  |
| TSM4459CS     | Single        | P-Channel                     | -30                    | 20                      | -17                      | -1                              | -      | -3     | 4                                   | 5   | 7      | 10  |
| TSM4425CS     | Single        | P-Channel                     | -30                    | 20                      | -11                      | -1                              | -      | -3     | 10                                  | 12  | 15     | 19  |
| TSM180P03CS   | Single        | P-Channel                     | -30                    | 20                      | -10                      | -1.2                            | -1.6   | -2.5   | 14                                  | 18  | 23     | 30  |
| TSM4435CS     | Single        | P-Channel                     | -30                    | 20                      | -9.1                     | -1                              | -      | -3     | 17                                  | 21  | 25     | 35  |
| TSM3481CX6    | Single        | P-Channel                     | -30                    | 20                      | -5.3                     | -1                              | -1.7   | -3     | 38                                  | 48  | 63     | 79  |
| TSM9435CS     | Single        | P-Channel                     | -30                    | 20                      | -5.3                     | -1                              | -1.7   | -3     | 50                                  | 60  | 75     | 90  |
| TSM3457CX6    | Single        | P-Channel                     | -30                    | 20                      | -5                       | -1                              | -1.7   | -3     | 50                                  | 60  | 82     | 100 |
| TSM600P03CS   | Single        | P-Channel                     | -30                    | 20                      | -4.7                     | -1.2                            | -1.6   | -2.5   | 44                                  | 60  | 73     | 90  |
| TSM650P03CX*  | Single        | P-Channel                     | -30                    | 12                      | -4.1                     | -0.4                            | -0.7   | -0.9   | 55                                  | 65  | 65     | 75  |
| TSM2307CX     | Single        | P-Channel                     | -30                    | 20                      | -3                       | -1                              | -      | -3     | 76                                  | 76  | 103    | 140 |
| TSM3401CX     | Single        | P-Channel                     | -30                    | 20                      | -3                       | -1                              | -1.7   | -3     | 50                                  | 60  | 75     | 90  |
| TSM2303CX     | Single        | P-Channel                     | -30                    | 20                      | -1.3                     | -1                              | -      | -3     | 150                                 | 150 | 250    | 300 |
| TSM160P02CS*  | Single        | P-Channel                     | -20                    | 10                      | -11                      | -0.3                            | -0.6   | -1     | -                                   | -   | 12     | 16  |
| TSM260P02CX*  | Single        | P-Channel                     | -20                    | 10                      | -6.5                     | -0.3                            | -0.6   | -1     | -                                   | -   | 20     | 26  |
| TSM260P02CX6* | Single        | P-Channel                     | -20                    | 10                      | -6.5                     | -0.3                            | -0.6   | -1     | -                                   | -   | 20     | 26  |
| TSM9434CS     | Single        | P-Channel                     | -20                    | 8                       | -6.4                     | -0.4                            | -      | -1     | -                                   | -   | 31     | 40  |
| TSM2323CX     | Single        | P-Channel                     | -20                    | 8                       | -4.7                     | -0.4                            | -      | -1     | -                                   | -   | 31     | 39  |
| TSM3443CX6    | Single        | P-Channel                     | -20                    | 12                      | -4.7                     | -0.6                            | -      | -1.4   | -                                   | -   | 48     | 60  |
| TSM500P02CX*  | Single        | P-Channel                     | -20                    | 10                      | -4.7                     | -0.3                            | -0.6   | -0.8   | -                                   | -   | 40     | 50  |
| TSM650P02CX*  | Single        | P-Channel                     | -20                    | 10                      | -4.1                     | -0.4                            | -0.6   | -0.8   | -                                   | -   | 52     | 65  |
| TSM2311CX     | Single        | P-Channel                     | -20                    | 8                       | -4                       | -0.6                            | -      | -1.4   | -                                   | -   | 45     | 55  |
| TSM2313CX     | Single        | P-Channel                     | -20                    | 12                      | -3.3                     | -0.6                            | -      | -1.4   | -                                   | -   | 55     | 70  |
| TSM2305CX     | Single        | P-Channel                     | -20                    | 8                       | -3.2                     | -0.45                           | -      | -1     | -                                   | -   | 44     | 55  |
| TSM2301BCX    | Single        | P-Channel                     | -20                    | 8                       | -2.8                     | -0.45                           | -      | -0.95  | -                                   | -   | 80     | 100 |
| TSM2301CX     | Single        | P-Channel                     | -20                    | 8                       | -2.8                     | -0.45                           | -      | -0.95  | -                                   | -   | 90     | 130 |
| TSM2301ACX    | Single        | P-Channel                     | -20                    | 12                      | -2.8                     | -0.6                            | -0.7   | -1     | -                                   | -   | 90     | 130 |
| TSM301K12CQ   | Single        | P-Channel Integrated Schottky | -20                    | 12                      | -4.5                     | -1                              | -      | -3     | -                                   | -   | 94     | -   |

Note. \* - Q4/2014

| Part Number   | Configuration | Type                          | V <sub>DS</sub><br>(V) | V <sub>GS</sub><br>±(V) | I <sub>D</sub><br>Max(A) | V <sub>GS</sub> <sup>(th)</sup><br>Min(V) | V <sub>GS</sub> <sup>(th)</sup><br>Typ(V) | V <sub>GS</sub> <sup>(th)</sup><br>Max(V) | R <sub>DS(ON)</sub> <sup>(mΩ)</sup> |     |        |     | Qg (nC) |     | Q <sub>gs</sub> | Q <sub>gd</sub> | C <sub>iss</sub> | C <sub>oss</sub> | C <sub>rss</sub> | Package Description |        |        |       |          |
|---------------|---------------|-------------------------------|------------------------|-------------------------|--------------------------|---|---|---|-------------------------------------|-----|--------|-----|---------|-----|-----------------|-----------------|------------------|------------------|------------------|---------------------|--------|--------|-------|----------|
|               |               |                               |                        |                         |                          |   |   |   | @ 2.5V                              |     | @ 1.8V |     | @ 10V   |     | @ 4.5V          |                 | (nC)             | (nC)             | (pF)             |                     | (pF)   | (pF)   |       |          |
|               |               |                               |                        |                         |                          |   |   |   | Typ                                 | Max | Typ    | Max | Typ     | Max | Typ             | Max             | Typ              | Max              | Typ              |                     | Max    | Typ    | Max   |          |
| TSM150P03PQ33 | Single        | P-Channel                     | -30                    | 20                      | -30                      | -1.2                                      | -1.6                                      | -2.5                                      | 13                                  | 15  | 22     | 25  | -       | -   | 14.6            | 4.1             | 6.3              | 1,730            | 180              | 125                 | PDFN33 |        |       |          |
| TSM4459CS     | Single        | P-Channel                     | -30                    | 20                      | -17                      | -1  | -   | -3  | 4                                   | 5   | 7      | 10  | -       | -   | 78.4            | 25.1            | 38.7             | 6,205            | 963              | 330                 | SOP-8  |        |       |          |
| TSM4425CS     | Single        | P-Channel                     | -30                    | 20                      | -11                      | -1  | -   | -3  | 10                                  | 12  | 15     | 19  | -       | -   | 64              | -               | 11               | 3,680            | 930              | 620                 | SOP-8  |        |       |          |
| TSM180P03CS   | Single        | P-Channel                     | -30                    | 20                      | -10                      | -1.2                                      | -1.6                                      | -2.5                                      | 14                                  | 18  | 23     | 30  | -       | -   | 14.6            | 4.1             | 6.3              | 1,730            | 180              | 125                 | SOP-8  |        |       |          |
| TSM4435CS     | Single        | P-Channel                     | -30                    | 20                      | -9.1                     | -1  | -   | -3  | 17                                  | 21  | 25     | 35  | -       | -   | 64              | 5.8             | 8.6              | 1,573            | 319              | 211                 | SOP-8  |        |       |          |
| TSM3481CX6    | Single        | P-Channel                     | -30                    | 20                      | -5.3                     | -1  | -1.7                                      | -3  | 38                                  | 48  | 63     | 79  | -       | -   | 18.09           | -               | 6.5              | 3.3              | 1,048            | 172.8               | 115.5  | SOT-26 |       |          |
| TSM9435CS     | Single        | P-Channel                     | -30                    | 20                      | -5.3                     | -1  | -1.7                                      | -3  | 50                                  | 60  | 75     | 90  | -       | -   | 9.5             | -               | 3.4              | 1.7              | 552              | 91                  | 60.8   | SOP-8  |       |          |
| TSM3457CX6    | Single        | P-Channel                     | -30                    | 20                      | -5                       | -1  | -1.7                                      | -3  | 50                                  | 60  | 82     | 100 | -       | -   | 9.5             | -               | 3.4              | 1.7              | 552              | 91                  | 60.8   | SOT-26 |       |          |
| TSM600P03CS   | Single        | P-Channel                     | -30                    | 20                      | -4.7                     | -1.2                                      | -1.6                                      | -2.5                                      | 44                                  | 60  | 73     | 90  | -       | -   | 5.1             | 2               | 2.2              | 560              | 55               | 40                  | SOP-8  |        |       |          |
| TSM650P03CX*  | Single        | P-Channel                     | -30                    | 12                      | -4.1                     | -0.4                                      | -0.7                                      | -0.9                                      | 55                                  | 65  | 65     | 75  | -       | -   | 8               | 1.9             | 1.4              | 810              | 85               | 50                  | SOT-23 |        |       |          |
| TSM2307CX     | Single        | P-Channel                     | -30                    | 20                      | -3                       | -1  | -   | -3  | 76                                  | 76  | 103    | 140 | -       | -   | 10              | 1.9             | 2                | 565              | 126              | 75                  | SOT-23 |        |       |          |
| TSM3401CX     | Single        | P-Channel                     | -30                    | 20                      | -3                       | -1  | -1.7                                      | -3  | 50                                  | 60  | 75     | 90  | -       | -   | 9.5             | 3.4             | 1.7              | 552              | 91               | 60.8                | SOT-23 |        |       |          |
| TSM2303CX     | Single        | P-Channel                     | -30                    | 20                      | -1.3                     | -1  | -   | -3  | 150                                 | 150 | 250    | 300 | -       | -   | 10              | 1.9             | 2                | 565              | 126              | 75                  | SOT-23 |        |       |          |
| TSM160P02CS*  | Single        | P-Channel                     | -20                    | 10                      | -11                      | -0.3                                      | -0.6                                      | -1  | -                                   | -   | 12     | 16  | 16      | 22  | 21              | 28              | -                | 2.4              | 5.3              | 2,320               | 280    | 175    | SOP-8 |          |
| TSM260P02CX*  | Single        | P-Channel                     | -20                    | 10                      | -6.5                     | -0.3                                      | -0.6                                      | -1  | -                                   | -   | 20     | 26  | 25      | 32  | 31              | 40              | -                | 19.5             | 2                | 3.6                 | 1,670  | 220    | 120   | SOT-23   |
| TSM260P02CX6* | Single        | P-Channel                     | -20                    | 10                      | -6.5                     | -0.3                                      | -0.6                                      | -1  | -                                   | -   | 20     | 26  | 25      | 32  | 31              | 40              | -                | 19.5             | 2                | 3.6                 | 1,670  | 220    | 120   | SOT-26   |
| TSM9434CS     | Single        | P-Channel                     | -20                    | 8                       | -6.4                     | -0.4                                      | -   | -1  | -                                   | -   | 31     | 40  | 45      | 60  | -               | -               | 12.5             | -                | 1.7              | 3.3                 | 1,020  | 191    | 140   | SOP-8    |
| TSM2323CX     | Single        | P-Channel                     | -20                    | 8                       | -4.7                     | -0.4                                      | -   | -1  | -                                   | -   | 31     | 39  | 41      | 52  | 54              | 68              | -                | 12.5             | 1.7              | 3.3                 | 1,020  | 191    | 140   | SOT-23   |
| TSM3443CX6    | Single        | P-Channel                     | -20                    | 12                      | -4.7                     | -0.6                                      | -   | -1.4                                      | -                                   | -   | 48     | 60  | 80      | 100 | -               | -               | -                | 8.5              | 1.4              | 1.9                 | 640    | 180    | 90    | SOT-26   |
| TSM500P02CX*  | Single        | P-Channel                     | -20                    | 10                      | -4.7                     | -0.3                                      | -0.6                                      | -0.8                                      | -                                   | -   | 40     | 50  | 54      | 65  | 67              | 85              | -                | 9.6              | 1.6              | 2                   | 850    | 70     | 55    | SOT-23   |
| TSM650P02CX*  | Single        | P-Channel                     | -20                    | 10                      | -4.1                     | -0.4                                      | -0.6                                      | -0.8                                      | -                                   | -   | 52     | 65  | 73      | 85  | 105             | 130             | -                | 6.4              | 0.9              | 1.6                 | 515    | 55     | 20    | SOT-23   |
| TSM2311CX     | Single        | P-Channel                     | -20                    | 8                       | -4                       | -0.6                                      | -   | -1.4                                      | -                                   | -   | 45     | 55  | 75      | 85  | -               | -               | -                | 8.5              | 1.4              | 1.9                 | 640    | 180    | 90    | SOT-23   |
| TSM2313CX     | Single        | P-Channel                     | -20                    | 12                      | -3.3                     | -0.6                                      | -   | -1.4                                      | -                                   | -   | 55     | 70  | 70      | 90  | 120             | 130             | -                | 8                | 1.4              | 1.9                 | 640    | 18     | 90    | SOT-23   |
| TSM2305CX     | Single        | P-Channel                     | -20                    | 8                       | -3.2                     | -0.45                                     | -   | -1  | -                                   | -   | 44     | 55  | 65      | 80  | 90              | 130             | -                | 10               | 0.7              | 4                   | 990    | 125    | 100   | SOT-23   |
| TSM2301BCX    | Single        | P-Channel                     | -20                    | 8                       | -2.8                     | -0.45                                     | -   | -0.95                                     | -                                   | -   | 80     | 100 | 110     | 150 | 150             | 190             | -                | 5.8              | 0.85             | 1.7                 | 415    | 223    | 87    | SOT-23   |
| TSM2301CX     | Single        | P-Channel                     | -20                    | 8                       | -2.8                     | -0.45                                     | -   | -0.95                                     | -                                   | -   | 90     | 130 | 120     | 190 | -               | -               | -                | 5.4              | 0.8              | 1.1                 | 447    | 127    | 80    | SOT-23   |
| TSM2301ACX    | Single        | P-Channel                     | -20                    | 12                      | -2.8                     | -0.6                                      | -0.7                                      | -1  | -                                   | -   | 90     | 130 | 120     | 190 | -               | -               | -                | 7.2              | 2.2              | 1.2                 | 480    | 460    | 10    | SOT-23   |
| TSM301K12CQ   | Single        | P-Channel Integrated Schottky | -20                    | 12                      | -4.5                     | -1  | -   | -3  | -                                   | -   | 94     | -   | 131     | -   | 185             | -               | -                | 5.2              | 1.36             | 0.6                 | 5      | 9.7    | 19    | TDFN 2x2 |

## TRANSISTORS

## TRANSISTORS

(T<sub>A</sub>=25°C unless otherwise noted)

| Part Number | Polarity | V <sub>CEO</sub> | V <sub>CBO</sub> | V <sub>EBO</sub> | I <sub>C</sub> | DC Current Gain (Min.) | DC Current Gain (Max.) | V <sub>CE</sub> (Sat.) | Package Description |
|-------------|----------|------------------|------------------|------------------|----------------|------------------------|------------------------|------------------------|---------------------|
|             |          | (V)              |                  |                  | (A)            | h <sub>FE</sub>        |                        | (V)                    |                     |
| BC338-16    | NPN      | 25               | 30               | 5                | 0.8            | 100                    | 250                    | 0.7                    | TO-92               |
| BC338-25    | NPN      | 25               | 30               | 5                | 0.8            | 160                    | 400                    | 0.7                    | TO-92               |
| BC338-40    | NPN      | 25               | 30               | 5                | 0.8            | 250                    | 630                    | 0.7                    | TO-92               |
| BC548A      | NPN      | 30               | 30               | 6                | 0.1            | 110                    | 220                    | -                      | TO-92               |
| BC548B      | NPN      | 30               | 30               | 6                | 0.1            | 200                    | 450                    | -                      | TO-92               |
| BC548C      | NPN      | 30               | 30               | 6                | 0.1            | 420                    | 800                    | -                      | TO-92               |
| BC549A      | NPN      | 30               | 30               | 6                | 0.1            | 110                    | 220                    | -                      | TO-92               |
| BC549B      | NPN      | 30               | 30               | 6                | 0.1            | 200                    | 450                    | -                      | TO-92               |
| BC549C      | NPN      | 30               | 30               | 6                | 0.1            | 420                    | 800                    | -                      | TO-92               |
| BC848A      | NPN      | 30               | 30               | 6                | 0.1            | 110                    | 220                    | 0.5                    | SOT-23              |
| BC848AW     | NPN      | 30               | 30               | 5                | 0.1            | 110                    | 220                    | 0.77                   | SOT-323             |
| BC848B      | NPN      | 30               | 30               | 6                | 0.1            | 200                    | 450                    | 0.5                    | SOT-23              |
| BC848BW     | NPN      | 30               | 30               | 5                | 0.1            | 200                    | 450                    | 0.77                   | SOT-323             |
| BC848C      | NPN      | 30               | 30               | 6                | 0.1            | 420                    | 800                    | 0.5                    | SOT-23              |
| BC848CW     | NPN      | 30               | 30               | 5                | 0.1            | 420                    | 800                    | 0.77                   | SOT-323             |
| BC849AW     | NPN      | 30               | 30               | 5                | 0.1            | 110                    | 220                    | 0.77                   | SOT-323             |
| BC849BW     | NPN      | 30               | 30               | 5                | 0.1            | 200                    | 450                    | 0.77                   | SOT-323             |
| BC849CW     | NPN      | 30               | 30               | 5                | 0.1            | 420                    | 800                    | 0.77                   | SOT-323             |
| MMBT3904    | NPN      | 40               | 60               | 6                | 0.2            | 100                    | 400                    | 0.3                    | SOT-23              |
| TSC2411CX   | NPN      | 40               | 60               | 5                | 0.6            | 82                     | 560                    | 0.5                    | SOT-23              |
| MMBT2222A   | NPN      | 40               | 75               | 6                | 0.6            | 50                     | 300                    | 1                      | SOT-23              |
| BC550A      | NPN      | 45               | 45               | 6                | 0.1            | 110                    | 220                    | -                      | TO-92               |
| BC550B      | NPN      | 45               | 45               | 6                | 0.1            | 200                    | 450                    | -                      | TO-92               |
| BC550C      | NPN      | 45               | 45               | 6                | 0.1            | 420                    | 800                    | -                      | TO-92               |
| BC547A      | NPN      | 45               | 50               | 6                | 0.1            | 110                    | 220                    | -                      | TO-92               |
| BC547B      | NPN      | 45               | 50               | 6                | 0.1            | 200                    | 450                    | -                      | TO-92               |
| BC547C      | NPN      | 45               | 50               | 6                | 0.1            | 420                    | 800                    | -                      | TO-92               |
| BC847A      | NPN      | 45               | 50               | 6                | 0.1            | 110                    | 220                    | 0.5                    | SOT-23              |
| BC847AW     | NPN      | 45               | 50               | 6                | 0.1            | 110                    | 220                    | 0.77                   | SOT-323             |
| BC847B      | NPN      | 45               | 50               | 6                | 0.1            | 200                    | 450                    | 0.5                    | SOT-23              |
| BC847BW     | NPN      | 45               | 50               | 6                | 0.1            | 200                    | 450                    | 0.77                   | SOT-323             |
| BC847C      | NPN      | 45               | 50               | 6                | 0.1            | 420                    | 800                    | 0.5                    | SOT-23              |
| BC847CW     | NPN      | 45               | 50               | 6                | 0.1            | 420                    | 800                    | 0.77                   | SOT-323             |
| BC850AW     | NPN      | 45               | 50               | 5                | 0.1            | 110                    | 220                    | 0.77                   | SOT-323             |
| BC850BW     | NPN      | 45               | 50               | 5                | 0.1            | 200                    | 450                    | 0.77                   | SOT-323             |
| BC850CW     | NPN      | 45               | 50               | 5                | 0.1            | 420                    | 800                    | 0.77                   | SOT-323             |
| BC817-16    | NPN      | 45               | 50               | 5                | 0.5            | 100                    | 250                    | 0.7                    | SOT-23              |
| BC817-16W   | NPN      | 45               | 50               | 5                | 0.5            | 100                    | 250                    | 0.7                    | SOT-323             |
| BC817-25    | NPN      | 45               | 50               | 5                | 0.5            | 160                    | 400                    | 0.7                    | SOT-23              |
| BC817-25W   | NPN      | 45               | 50               | 5                | 0.5            | 160                    | 400                    | 0.7                    | SOT-323             |
| BC817-40    | NPN      | 45               | 50               | 5                | 0.5            | 250                    | 600                    | 0.7                    | SOT-23              |
| BC817-40W   | NPN      | 45               | 50               | 5                | 0.5            | 250                    | 600                    | 0.7                    | SOT-323             |
| BC337-16    | NPN      | 45               | 50               | 5                | 0.8            | 100                    | 250                    | 0.7                    | TO-92               |
| BC337-25    | NPN      | 45               | 50               | 5                | 0.8            | 160                    | 400                    | 0.7                    | TO-92               |
| BC337-40    | NPN      | 45               | 50               | 5                | 0.8            | 250                    | 630                    | 0.7                    | TO-92               |

| Part Number | Polarity | V <sub>CEO</sub> | V <sub>CBO</sub> | V <sub>EBO</sub> | I <sub>C</sub> | DC Current Gain (Min.) | DC Current Gain (Max.) | V <sub>CE</sub> (Sat.) | Package Description          |
|-------------|----------|------------------|------------------|------------------|----------------|------------------------|------------------------|------------------------|------------------------------|
|             |          | (V)              |                  |                  | (A)            | h <sub>FE</sub>        |                        | (V)                    |                              |
| 2SC5658-Q   | NPN      | 50               | 60               | 7                | 0.15           | 120                    | 270                    | 0.4                    | SOT-723                      |
| 2SC5658-R   | NPN      | 50               | 60               | 7                | 0.15           | 180                    | 390                    | 0.4                    | SOT-723                      |
| 2SC5658-S   | NPN      | 50               | 60               | 7                | 0.15           | 270                    | 560                    | 0.4                    | SOT-723                      |
| KTC3198-BL  | NPN      | 50               | 60               | 5                | 0.15           | 70                     | 140                    | 0.25                   | TO-92                        |
| KTC3198-GR  | NPN      | 50               | 60               | 5                | 0.15           | 120                    | 240                    | 0.25                   | TO-92                        |
| KTC3198-O   | NPN      | 50               | 60               | 5                | 0.15           | 200                    | 400                    | 0.25                   | TO-92                        |
| KTC3198-Y   | NPN      | 50               | 60               | 5                | 0.15           | 300                    | 700                    | 0.25                   | TO-92                        |
| TS2150ACY   | NPN      | 50               | 80               | 6                | 3              | 200                    | 400                    | 0.5                    | SOT-89                       |
| MMBT405     | NPN      | 60               | 60               | 4                | 0.5            | 100                    | 400                    | 0.25                   | SOT-23                       |
| BC546A      | NPN      | 65               | 80               | 6                | 0.1            | 110                    | 220                    | -                      | TO-92                        |
| BC546B      | NPN      | 65               | 80               | 6                | 0.1            | 200                    | 450                    | -                      | TO-92                        |
| BC546C      | NPN      | 65               | 80               | 6                | 0.1            | 420                    | 800                    | -                      | TO-92                        |
| BC846A      | NPN      | 65               | 80               | 6                | 0.1            | 110                    | 220                    | 0.5                    | SOT-23                       |
| BC846AW     | NPN      | 65               | 80               | 6                | 0.1            | 110                    | 220                    | 0.77                   | SOT-323                      |
| BC846B      | NPN      | 65               | 80               | 6                | 0.1            | 200                    | 450                    | 0.5                    | SOT-23                       |
| BC846BW     | NPN      | 65               | 80               | 6                | 0.1            | 200                    | 450                    | 0.77                   | SOT-323                      |
| BC846CW     | NPN      | 65               | 80               | 6                | 0.1            | 420                    | 800                    | 0.77                   | SOT-323                      |
| TSC5988CT   | NPN      | 150              | 150              | 6                | 6              | 100                    | 300                    | 0.55                   | TO-92                        |
| TSC4505CX   | NPN      | 400              | 400              | 6                | 0.3            | 100                    | 270                    | 0.5                    | SOT-23                       |
| TSC873CT    | NPN      | 400              | 600              | 9                | 0.3            | 80                     | -                      | 0.5                    | TO-92                        |
| TSC873CW    | NPN      | 400              | 600              | 7                | 0.3            | 80                     | -                      | 0.5                    | SOT-223                      |
| TSC966CT    | NPN      | 400              | 600              | 7                | 0.3            | 100                    | 300                    | 0.5                    | TO-92                        |
| TSC966CW    | NPN      | 400              | 600              | 7                | 0.3            | 100                    | 300                    | 0.5                    | SOT-223                      |
| TS13002ACT  | NPN      | 400              | 700              | 9                | 0.3            | 20                     | 40                     | 1.5                    | TO-92                        |
| TS13003BCT  | NPN      | 400              | 700              | 9                | 1.5            | 20                     | 40                     | 3                      | TO-92                        |
| TS13003CT   | NPN      | 400              | 700              | 9                | 1.5            | 20                     | 40                     | 3                      | TO-92                        |
| TSC5302DCH  | NPN      | 400              | 700              | 9                | 2              | 8                      | 25                     | 3                      | TO-251                       |
| TSC5302DCP  | NPN      | 400              | 700              | 9                | 2              | 8                      | 25                     | 3                      | D-PAK (TO-252)               |
| TSC136CZ    | NPN      | 400              | 700              | 9                | 3              | 10                     | 40                     | 1                      | TO-220                       |
| TSC5303DCH  | NPN      | 400              | 700              | 9                | 3              | 8                      | 25                     | 3                      | TO-251                       |
| TSC5303DCP  | NPN      | 400              | 700              | 9                | 3              | 8                      | 25                     | 3                      | D-PAK (TO-252)               |
| TS13005CI   | NPN      | 400              | 700              | 9                | 4              | 10                     | 25                     | 1                      | ITO-220                      |
| TS13005CK   | NPN      | 400              | 700              | 9                | 3              | 10                     | 25                     | 1                      | TO-126                       |
| TS13005CZ   | NPN      | 400              | 700              | 9                | 4              | 10                     | 25                     | 1                      | TO-220                       |
| TSC128DCM   | NPN      | 400              | 700              | 9                | 4              | 8                      | 25                     | 3                      | D <sup>2</sup> -PAK (TO-263) |
| TSC128DCZ   | NPN      | 400              | 700              | 9                | 4              | 8                      | 25                     | 3                      | TO-220                       |
| TSC5304DCH  | NPN      | 400              | 700              | 9                | 4              | 8                      | 25                     | 3                      | TO-251                       |
| TSC5304DCP  | NPN      | 400              | 700              | 9                | 4              | 8                      | 25                     | 3                      | D-PAK (TO-252)               |
| TSC5304EDCH | NPN      | 400              | 700              | 9                | 4              | 8                      | 25                     | 3                      | TO-251                       |
| TSC5304EDCP | NPN      | 400              | 700              | 9                | 4              | 8                      | 25                     | 3                      | D-PAK (TO-252)               |
| TS13007BCZ  | NPN      | 400              | 700              | 9                | 8              | 25                     | 50                     | 3                      | TO-220                       |
| TSC148DCI   | NPN      | 400              | 700              | 9                | 8              | 8                      | 25                     | 3                      | ITO-220                      |
| TSC148DCM   | NPN      | 400              | 700              | 9                | 8              | 8                      | 25                     | 3                      | D <sup>2</sup> -PAK (TO-263) |
| TSC148DCZ   | NPN      | 400              | 700              | 9                | 8              | 8                      | 25                     | 3                      | TO-220                       |
| TS13003MVCT | NPN      | 400              | 800              | 9                | 1.5            | 15                     | 40                     | 1.5                    | TO-92                        |

## TRANSISTORS

## DIGITAL TRANSISTORS

| Part Number | Polarity | V <sub>CEO</sub> | V <sub>CBO</sub> | V <sub>EBO</sub> | I <sub>C</sub> | DC Current Gain (Min.) | DC Current Gain (Max.) | V <sub>CE (Sat.)</sub> | Package Description          |
|-------------|----------|------------------|------------------|------------------|----------------|------------------------|------------------------|------------------------|------------------------------|
|             |          | (V)              |                  |                  | (A)            | h <sub>FE</sub>        |                        | (V)                    |                              |
| TS13002HVCT | NPN      | 400              | 900              | 9                | 0.8            | 15                     | 40                     | 1.5                    | TO-92                        |
| TS13003ACK  | NPN      | 450              | 700              | 9                | 2              | 15                     | 35                     | 3                      | TO-126                       |
| TSC5802DCH  | NPN      | 450              | 1,050            | 15               | 2.5            | 18                     | 100                    | 3                      | TO-251                       |
| TSC5802DCP  | NPN      | 450              | 1,050            | 15               | 2.5            | 18                     | 100                    | 3                      | D-PAK (TO-252)               |
| TSC741CZ    | NPN      | 450              | 1,050            | 15               | 2.5            | 18                     | 100                    | 2                      | TO-220                       |
| TSC5804DCH  | NPN      | 450              | 1,050            | 15               | 5              | 25                     | 100                    | 2                      | TO-251                       |
| TSC5804DCP  | NPN      | 450              | 1,050            | 15               | 5              | 25                     | 100                    | 2                      | D-PAK (TO-252)               |
| TSC742CZ    | NPN      | 450              | 1,050            | 15               | 5              | 23                     | 100                    | 1.5                    | TO-220                       |
| TS13003HVCT | NPN      | 530              | 900              | 9                | 1.5            | 15                     | 40                     | 3                      | TO-92                        |
| TSC1203ECM  | NPN      | 550              | 1,050            | 9                | 5              | 14                     | 32                     | 1.5                    | D <sup>2</sup> -PAK (TO-263) |
| TSA1765CW   | PNP      | -600             | -560             | -7               | -0.15          | 80                     | 300                    | -0.5                   | SOT-223                      |
| TSA874CW    | PNP      | -500             | -500             | -5               | -0.15          | 100                    | 300                    | -0.5                   | SOT-223                      |
| TSA884CX    | PNP      | -500             | -500             | -5               | -0.15          | 100                    | 300                    | -0.5                   | SOT-23                       |
| TSA894CT    | PNP      | -500             | -500             | -5               | -0.15          | 100                    | 300                    | -0.5                   | TO-92                        |
| BC856A      | PNP      | -65              | -80              | -5               | -0.1           | 125                    | 250                    | -0.65                  | SOT-23                       |
| BC856B      | PNP      | -65              | -80              | -5               | -0.1           | 220                    | 475                    | -0.65                  | SOT-23                       |
| MMBT2907A   | PNP      | -60              | -60              | -5               | -0.6           | 50                     | 100                    | -0.4                   | SOT-23                       |
| 2SA2029-Q   | PNP      | -50              | -60              | -6               | -0.15          | 120                    | 270                    | -0.5                   | SOT-723                      |
| 2SA2029-R   | PNP      | -50              | -60              | -6               | -0.15          | 180                    | 390                    | -0.5                   | SOT-723                      |
| 2SA2029-S   | PNP      | -50              | -60              | -6               | -0.15          | 270                    | 560                    | -0.5                   | SOT-723                      |
| BC807-16    | PNP      | -45              | -50              | -5               | -0.5           | 100                    | 250                    | -0.7                   | SOT-23                       |
| BC807-25    | PNP      | -45              | -50              | -5               | -0.5           | 160                    | 400                    | -0.7                   | SOT-23                       |
| BC807-40    | PNP      | -45              | -50              | -5               | -0.5           | 250                    | 600                    | -0.7                   | SOT-23                       |
| BC857A      | PNP      | -45              | -50              | -5               | -0.1           | 125                    | 250                    | -0.65                  | SOT-23                       |
| BC857B      | PNP      | -45              | -50              | -5               | -0.1           | 220                    | 475                    | -0.65                  | SOT-23                       |
| BC857C      | PNP      | -45              | -50              | -5               | -0.1           | 420                    | 800                    | -0.65                  | SOT-23                       |
| BC807-16W   | PNP      | -45              | -50              | -5               | 0.5            | 100                    | 250                    | 0.7                    | SOT-323                      |
| BC807-25W   | PNP      | -45              | -50              | -5               | 0.5            | 160                    | 400                    | 0.7                    | SOT-323                      |
| BC807-40W   | PNP      | -45              | -50              | -5               | 0.5            | 250                    | 600                    | 0.7                    | SOT-323                      |
| TSA5888CY   | PNP      | -40              | -50              | -7.5             | -5.5           | 200                    | 560                    | -1.2                   | SOT-89                       |
| MMBT3906    | PNP      | -40              | -40              | -5               | -0.2           | 100                    | 300                    | -0.4                   | SOT-23                       |
| TSB772CK    | PNP      | -30              | -50              | -5               | -3             | 160                    | 500                    | -0.5                   | TO-126                       |
| TSA1036CX   | PNP      | -30              | -40              | -5               | -0.6           | 82                     | 560                    | -0.5                   | SOT-23                       |
| BC858A      | PNP      | -30              | -30              | -5               | -0.1           | 125                    | 250                    | -0.65                  | SOT-23                       |
| BC858B      | PNP      | -30              | -30              | -5               | -0.1           | 220                    | 475                    | -0.65                  | SOT-23                       |
| BC858C      | PNP      | -30              | -30              | -5               | -0.1           | 420                    | 800                    | -0.65                  | SOT-23                       |

(T<sub>A</sub>=25°C unless otherwise noted)

| Part Number | Polarity | R1   | R2  | P <sub>D</sub> | I <sub>O</sub> | V <sub>CBO</sub> | V <sub>CEO</sub> | V <sub>EBO</sub> | G <sub>i</sub> (Min.) | G <sub>i</sub> (Max.) | G <sub>i</sub> @ I <sub>O</sub> (mA) | f <sub>T</sub> (Typ.) (MHz) | Package Description |
|-------------|----------|------|-----|----------------|----------------|------------------|------------------|------------------|-----------------------|-----------------------|--------------------------------------|-----------------------------|---------------------|
|             |          | (kΩ) |     | (mW)           | (mA)           | (V)              |                  |                  |                       |                       |                                      |                             |                     |
| DTC113ZCA   | NPN      | 1    | 10  | 200            | 100            | -                | 50               | 10               | 33                    | -                     | 5                                    | 250                         | SOT-23              |
| DTC123YCA   | NPN      | 2.2  | 10  | 200            | 100            | -                | 50               | 12               | 33                    | -                     | 10                                   | 250                         | SOT-23              |
| DTC123JCA   | NPN      | 2.2  | 47  | 200            | 100            | -                | 50               | 12               | 80                    | -                     | 10                                   | 250                         | SOT-23              |
| DTC143XCA   | NPN      | 4.7  | 10  | 200            | 100            | -                | 50               | 20               | 30                    | -                     | -10                                  | 250                         | SOT-23              |
| DTC143ZCA   | NPN      | 4.7  | 47  | 200            | 100            | -                | 50               | 30               | 80                    | -                     | -10                                  | 250                         | SOT-23              |
| DTC143TCA   | NPN      | 4.7  | -   | 200            | 100            | 50               | 50               | 5                | 100                   | 600                   | 1                                    | 250                         | SOT-23              |
| DTC114WCA   | NPN      | 10   | 4.7 | 200            | 100            | -                | 50               | 30               | 24                    | -                     | 10                                   | 250                         | SOT-23              |
| DTC114ECA   | NPN      | 10   | 10  | 200            | 100            | -                | 50               | 40               | 30                    | -                     | 5                                    | 250                         | SOT-23              |
| DTC114YCA   | NPN      | 10   | 47  | 200            | 100            | -                | 50               | 40               | 68                    | -                     | 5                                    | 250                         | SOT-23              |
| DTC114TCA   | NPN      | 10   | -   | 200            | 100            | 50               | 50               | 5                | 100                   | 600                   | 1                                    | 250                         | SOT-23              |
| DTC144ECA   | NPN      | 47   | 47  | 200            | 100            | -                | 50               | 40               | 68                    | -                     | 5                                    | 250                         | SOT-23              |
| DTC144TCA   | NPN      | 47   | -   | 200            | 100            | 50               | 50               | 5                | 100                   | 600                   | 1                                    | 250                         | SOT-23              |
| DTC113ZUA   | NPN      | 1    | 10  | 200            | 100            | -                | 50               | 10               | 33                    | -                     | 5                                    | 250                         | SOT-323             |
| DTC123YUA   | NPN      | 2.2  | 10  | 200            | 100            | -                | 50               | 12               | 33                    | -                     | 10                                   | 250                         | SOT-323             |
| DTC123JUA   | NPN      | 2.2  | 47  | 200            | 100            | -                | 50               | 12               | 80                    | -                     | 10                                   | 250                         | SOT-323             |
| DTC143XUA   | NPN      | 4.7  | 10  | 200            | 100            | -                | 50               | 20               | 30                    | -                     | -10                                  | 250                         | SOT-323             |
| DTC143ZUA   | NPN      | 4.7  | 47  | 200            | 100            | -                | 50               | 30               | 80                    | -                     | -10                                  | 250                         | SOT-323             |
| DTC143TUA   | NPN      | 4.7  | -   | 200            | 100            | 50               | 50               | 5                | 100                   | 600                   | 1                                    | 250                         | SOT-323             |
| DTC114WUA   | NPN      | 10   | 4.7 | 200            | 100            | -                | 50               | 30               | 24                    | -                     | 10                                   | 250                         | SOT-323             |
| DTC114EUA   | NPN      | 10   | 10  | 200            | 100            | -                | 50               | 40               | 30                    | -                     | 5                                    | 250                         | SOT-323             |
| DTC114YUA   | NPN      | 10   | 47  | 200            | 100            | -                | 50               | 40               | 68                    | -                     | 5                                    | 250                         | SOT-323             |
| DTC114TUA   | NPN      | 10   | -   | 200            | 100            | 50               | 50               | 5                | 100                   | 600                   | 1                                    | 250                         | SOT-323             |
| DTC144EUA   | NPN      | 47   | 47  | 200            | 100            | -                | 50               | 40               | 68                    | -                     | 5                                    | 250                         | SOT-323             |
| DTC144TUA   | NPN      | 47   | -   | 200            | 100            | 50               | 50               | 5                | 100                   | 600                   | 1                                    | 250                         | SOT-323             |
| DTC113ZE    | NPN      | 1    | 10  | 150            | 100            | -                | 50               | 10               | 33                    | -                     | 5                                    | 250                         | SOT-523             |
| DTC123JE    | NPN      | 2.2  | 4.7 | 150            | 100            | -                | 50               | 12               | 80                    | -                     | 10                                   | 250                         | SOT-523             |
| DTC123YE    | NPN      | 2.2  | 10  | 150            | 100            | -                | 50               | 12               | 33                    | -                     | 10                                   | 250                         | SOT-523             |
| DTC143XE    | NPN      | 4.7  | 10  | 150            | 100            | -                | 50               | 20               | 30                    | -                     | -10                                  | 250                         | SOT-523             |
| DTC143ZE    | NPN      | 4.7  | 47  | 150            | 100            | -                | 50               | 30               | 80                    | -                     | -10                                  | 250                         | SOT-523             |
| DTC143TE    | NPN      | 4.7  | -   | 150            | 100            | 50               | 50               | 5                | 100                   | 600                   | 1                                    | 250                         | SOT-523             |
| DTC114WE    | NPN      | 10   | 4.7 | 150            | 100            | -                | 50               | 30               | 24                    | -                     | 10                                   | 250                         | SOT-523             |
| DTC114EE    | NPN      | 10   | 10  | 150            | 100            | -                | 50               | 40               | 30                    | -                     | 5                                    | 250                         | SOT-523             |
| DTC114YE    | NPN      | 10   | 47  | 150            | 100            | -                | 50               | 40               | 68                    | -                     | 5                                    | 250                         | SOT-523             |
| DTC114TE    | NPN      | 10   | -   | 150            | 100            | 50               | 50               | 5                | 100                   | 600                   | 1                                    | 250                         | SOT-523             |
| DTC144EE    | NPN      | 47   | 47  | 150            | 100            | -                | 50               | 40               | 68                    | -                     | 5                                    | 250                         | SOT-523             |
| DTC144TE    | NPN      | 47   | -   | 150            | 100            | 50               | 50               | 5                | 100                   | 600                   | 1                                    | 250                         | SOT-523             |
| DTC113ZM    | NPN      | 1    | 10  | 100            | -100           | -                | 50               | 10               | 33                    | -                     | 5                                    | 250                         | SOT-723             |
| DTC143XM    | NPN      | 4.7  | 10  | 100            | 100            | -                | 50               | 20               | 30                    | -                     | -10                                  | 250                         | SOT-723             |
| DTC143ZM    | NPN      | 4.7  | 47  | 100            | 100            | -                | 50               | 30               | 80                    | -                     | -10                                  | 250                         | SOT-723             |
| DTC143TM    | NPN      | 4.7  | -   | 100            | 100            | 50               | 50               | 5                | 100                   | 600                   | 1                                    | 250                         | SOT-723             |
| DTC114WM    | NPN      | 10   | 4.7 | 100            | 100            | -                | 50               | 30               | 24                    | -                     | 10                                   | 250                         | SOT-723             |
| DTC114EM    | NPN      | 10   | 10  | 100            | 100            | -                | 50               | 40               | 30                    | -                     | 5                                    | 250                         | SOT-723             |
| DTC114TM    | NPN      | 10   | -   | 100            | 100            | 50               | 50               | 5                | 100                   | 600                   | 1                                    | 250                         | SOT-723             |
| DTC144EM    | NPN      | 47   | 47  | 100            | 100            | -                | 50               | 40               | 68                    | -                     | 5                                    | 250                         | SOT-723             |
| DTC144TM    | NPN      | 47   | -   | 100            | 100            | 50               | 50               | 5                | 100                   | 600                   | 1                                    | 250                         | SOT-723             |
| DTC113ZSA   | NPN      | 1    | 10  | 300            | 100            | -                | 50               | 10               | 33                    | -                     | 5                                    | 250                         | TO-92S              |



## DIGITAL TRANSISTORS

| Part Number | Polarity | R1   | R2   | P <sub>D</sub> | I <sub>O</sub> | V <sub>CBO</sub> | V <sub>CEO</sub> | V <sub>EBO</sub> | G <sub>i</sub> (Min.) | G <sub>i</sub> (Max.) | G <sub>i</sub> @ I <sub>O</sub> | f <sub>r</sub> (Typ.) | Package Description |
|-------------|----------|------|------|----------------|----------------|------------------|------------------|------------------|-----------------------|-----------------------|---------------------------------|-----------------------|---------------------|
|             |          | (kΩ) | (mW) | (mA)           | (V)            | (mA)             | (MHz)            |                  |                       |                       |                                 |                       |                     |
| DTC123YSA   | NPN      | 2.2  | 10   | 300            | 100            | -                | 50               | 12               | 33                    | -                     | 10                              | 250                   | TO-92S              |
| DTC123JSA   | NPN      | 2.2  | 47   | 300            | 100            | -                | 50               | 12               | 80                    | -                     | 10                              | 250                   | TO-92S              |
| DTC143XSA   | NPN      | 4.7  | 10   | 300            | 100            | -                | 50               | 20               | 30                    | -                     | -10                             | 250                   | TO-92S              |
| DTC143ZSA   | NPN      | 4.7  | 47   | 300            | 100            | -                | 50               | 30               | 80                    | -                     | -10                             | 250                   | TO-92S              |
| DTC143TSA   | NPN      | 4.7  | -    | 300            | 100            | 50               | 50               | 5                | 100                   | 600                   | 1                               | 250                   | TO-92S              |
| DTC114WSA   | NPN      | 10   | 4.7  | 300            | 100            | -                | 50               | 30               | 24                    | -                     | 10                              | 250                   | TO-92S              |
| DTC114ESA   | NPN      | 10   | 10   | 300            | 100            | -                | 50               | 40               | 30                    | -                     | 5                               | 250                   | TO-92S              |
| DTC114YSA   | NPN      | 10   | 47   | 300            | 100            | -                | 50               | 40               | 68                    | -                     | 5                               | 250                   | TO-92S              |
| DTC114TSA   | NPN      | 10   | -    | 300            | 100            | 50               | 50               | 5                | 100                   | 600                   | 1                               | 250                   | TO-92S              |
| DTC144ESA   | NPN      | 47   | 47   | 300            | 100            | -                | 50               | 40               | 68                    | 5                     | 5                               | 250                   | TO-92S              |
| DTC144TSA   | NPN      | 47   | -    | 300            | 100            | 50               | 50               | 5                | 100                   | 600                   | 1                               | 250                   | TO-92S              |
| UMH11N      | NPN+NPN  | 10   | 10   | 150            | 100            | -                | 50               | 40               | 30                    | -                     | 5                               | 250                   | SOT-363             |
| DTA123YCA   | PNP      | 2.2  | 10   | 200            | -100           | -                | -50              | 5                | 33                    | -                     | -10                             | 250                   | SOT-23              |
| DTA123JCA   | PNP      | 2.2  | 47   | 200            | -100           | -                | -50              | 5                | 80                    | -                     | -10                             | 250                   | SOT-23              |
| DTA143ECA   | PNP      | 4.7  | 4.7  | 200            | -100           | -                | -50              | 10               | 30                    | -                     | -10                             | 250                   | SOT-23              |
| DTA143XCA   | PNP      | 4.7  | 10   | 200            | -100           | -                | -50              | 7                | 30                    | -                     | -10                             | 250                   | SOT-23              |
| DTA143ZCA   | PNP      | 4.7  | 47   | 200            | -100           | -                | -50              | 5                | 80                    | -                     | -10                             | 250                   | SOT-23              |
| DTA143TCA   | PNP      | 4.7  | -    | 200            | -100           | -50              | -50              | -5               | 100                   | 600                   | -1                              | 250                   | SOT-23              |
| DTA114ECA   | PNP      | 10   | 10   | 200            | -100           | -                | -50              | 10               | 30                    | -                     | -5                              | 250                   | SOT-23              |
| DTA114YCA   | PNP      | 10   | 47   | 200            | -100           | -                | -50              | 6                | 68                    | -                     | -5                              | 250                   | SOT-23              |
| DTA114TCA   | PNP      | 10   | -    | 200            | -100           | -50              | -50              | -5               | 100                   | 600                   | -1                              | 250                   | SOT-23              |
| DTA124ECA   | PNP      | 22   | 22   | 200            | -30            | -                | -50              | 10               | 56                    | -                     | -5                              | 250                   | SOT-23              |
| DTA144ECA   | PNP      | 47   | 47   | 200            | 100            | -                | -50              | 10               | 68                    | -                     | -10                             | 250                   | SOT-23              |
| DTA144TCA   | PNP      | 47   | -    | 200            | -100           | -50              | -50              | -5               | 100                   | 600                   | -1                              | 250                   | SOT-23              |
| DTA123YUA   | PNP      | 2.2  | 10   | 200            | -100           | -                | -50              | 5                | 33                    | -                     | -10                             | 250                   | SOT-323             |
| DTA123JUA   | PNP      | 2.2  | 47   | 200            | -100           | -                | -50              | 5                | 80                    | -                     | -10                             | 250                   | SOT-323             |
| DTA143EUA   | PNP      | 4.7  | 4.7  | 200            | -100           | -                | -50              | 10               | 30                    | -                     | -10                             | 250                   | SOT-323             |
| DTA143XUA   | PNP      | 4.7  | 10   | 200            | -100           | -                | -50              | 7                | 30                    | -                     | -10                             | 250                   | SOT-323             |
| DTA143ZUA   | PNP      | 4.7  | 47   | 200            | -100           | -                | -50              | 5                | 80                    | -                     | -10                             | 250                   | SOT-323             |
| DTA143TUA   | PNP      | 4.7  | -    | 200            | -100           | -50              | -50              | -5               | 100                   | 600                   | -1                              | 250                   | SOT-323             |
| DTA114EUA   | PNP      | 10   | 10   | 200            | -100           | -                | -50              | 10               | 30                    | -                     | -5                              | 250                   | SOT-323             |
| DTA114YUA   | PNP      | 10   | 47   | 200            | -100           | -                | -50              | 6                | 68                    | -                     | -5                              | 250                   | SOT-323             |
| DTA114TUA   | PNP      | 10   | -    | 200            | -100           | -50              | -50              | -5               | 100                   | 600                   | -1                              | 250                   | SOT-323             |
| DTA124EUA   | PNP      | 22   | 22   | 200            | -30            | -                | -50              | 10               | 56                    | -                     | -5                              | 250                   | SOT-323             |
| DTA144EUA   | PNP      | 47   | 47   | 200            | -100           | -                | -50              | 10               | 68                    | -                     | -10                             | 250                   | SOT-323             |
| DTA144TUA   | PNP      | 47   | -    | 200            | -100           | -50              | -50              | -5               | 100                   | 600                   | -1                              | 250                   | SOT-323             |
| DTA123YE    | PNP      | 2.2  | 10   | 150            | -100           | -                | -50              | -                | 33                    | -                     | -10                             | 250                   | SOT-523             |
| DTA123JE    | PNP      | 2.2  | 47   | 150            | -100           | -                | -50              | 5                | 80                    | -                     | -10                             | 250                   | SOT-523             |
| DTA143EE    | PNP      | 4.7  | 4.7  | 150            | -100           | -                | -50              | 10               | 30                    | -                     | -10                             | 250                   | SOT-523             |
| DTA143XE    | PNP      | 4.7  | 10   | 150            | -100           | -                | -50              | 7                | 30                    | -                     | -10                             | 250                   | SOT-523             |
| DTA143ZE    | PNP      | 4.7  | 47   | 150            | -100           | -                | -50              | 5                | 80                    | -                     | -10                             | 250                   | SOT-523             |
| DTA143TE    | PNP      | 4.7  | -    | 150            | -100           | -50              | -50              | -5               | 100                   | 600                   | -1                              | 250                   | SOT-523             |
| DTA114EE    | PNP      | 10   | 10   | 150            | -100           | -                | -50              | 10               | 30                    | -                     | -5                              | 250                   | SOT-523             |
| DTA114YE    | PNP      | 10   | 47   | 150            | -100           | -                | -50              | 6                | 68                    | -                     | -5                              | 250                   | SOT-523             |
| DTA114TE    | PNP      | 10   | -    | 150            | -100           | -50              | -50              | -5               | 100                   | 600                   | -1                              | 250                   | SOT-523             |
| DTA124EE    | PNP      | 22   | 22   | 150            | -100           | -                | -50              | 10               | 56                    | -                     | -5                              | 250                   | SOT-523             |
| DTA144EE    | PNP      | 47   | 47   | 150            | -100           | -                | -50              | 10               | 68                    | -                     | -10                             | 250                   | SOT-523             |

## DIGITAL TRANSISTORS

| Part Number | Polarity | R1   | R2   | P <sub>D</sub> | I <sub>O</sub> | V <sub>CBO</sub> | V <sub>CEO</sub> | V <sub>EBO</sub> | G <sub>i</sub> (Min.) | G <sub>i</sub> (Max.) | G <sub>i</sub> @ I <sub>O</sub> | f <sub>r</sub> (Typ.) | Package Description |
|-------------|----------|------|------|----------------|----------------|------------------|------------------|------------------|-----------------------|-----------------------|---------------------------------|-----------------------|---------------------|
|             |          | (kΩ) | (mW) | (mA)           | (V)            | (mA)             | (MHz)            |                  |                       |                       |                                 |                       |                     |
| DTA144TE    | PNP      | 47   | -    | 150            | -100           | -50              | -50              | -5               | 100                   | 600                   | -1                              | 250                   | SOT-523             |
| DTA123YM    | PNP      | 2.2  | 10   | 100            | -100           | -                | -50              | 5                | 33                    | -                     | -10                             | 250                   | SOT-723             |
| DTA123JM    | PNP      | 2.2  | 47   | 100            | -100           | -                | -50              | 5                | 80                    | -                     | -10                             | 250                   | SOT-723             |
| DTA143EM    | PNP      | 4.7  | 4.7  | 100            | -100           | -                | -50              | 10               | 30                    | -                     | -10                             | 250                   | SOT-723             |
| DTA143XM    | PNP      | 4.7  | 10   | 100            | -100           | -                | -50              | 7                | 30                    | -                     | -10                             | 250                   | SOT-723             |
| DTA143ZM    | PNP      | 4.7  | 47   | 100            | -100           | -                | -50              | 5                | 80                    | -                     | -10                             | 250                   | SOT-723             |
| DTA143TM    | PNP      | 4.7  | -    | 100            | -100           | -50              | -50              | -5               | 100                   | 600                   | -1                              | 250                   | SOT-723             |
| DTA114EM    | PNP      | 10   | 10   | 100            | -50            | -                | -50              | 10               | 30                    | -                     | -5                              | 250                   | SOT-723             |
| DYA114YM    | PNP      | 10   | 47   | 100            | -100           | -                | -50              | 6                | 68                    | -                     | -5                              | 250                   | SOT-723             |
| DTA114TM    | PNP      | 10   | -    | 100            | -100           | -50              | -50              | -5               | 100                   | 600                   | -1                              | 250                   | SOT-723             |
| DTA124EM    | PNP      | 22   | 22   | 100            | -100           | -                | -50              | 10               | 56                    | -                     | -5                              | 250                   | SOT-723             |
| DTA144EM    | PNP      | 47   | 47   | 100            | -100           | -                | -50              | 10               | 68                    | -                     | -10                             | 250                   | SOT-723             |
| DTA144TM    | PNP      | 47   | -    | 100            | -100           | -50              | -50              | -5               | 100                   | 600                   | -1                              | 250                   | SOT-723             |
| DTA123YSA   | PNP      | 2.2  | 10   | 300            | -100           | -                | -50              | 5                | 33                    | -                     | -10                             | 250                   | TO-92S              |
| DTA123JSA   | PNP      | 2.2  | 47   | 300            | -100           | -                | -50              | 5                | 80                    | -                     | -10                             | 250                   | TO-92S              |
| DTA143ESA   | PNP      | 4.7  | 4.7  | 300            | -100           | -                | -50              | 10               | 30                    | -                     | -10                             | 250                   | TO-92S              |
| DTA143XSA   | PNP      | 4.7  | 10   | 300            | -100           | -                | -50              | 7                | 30                    | -                     | -10                             | 250                   | TO-92S              |
| DTA143ZSA   | PNP      | 4.7  | 47   | 300            | -100           | -                | -50              | 5                | 80                    | -                     | -10                             | 250                   | TO-92S              |
| DTA143TSA   | PNP      | 4.7  | -    | 300            | -100           | -50              | -50              | -5               | 100                   | 600                   | -1                              | 250                   | TO-92S              |
| DTA114ESA   | PNP      | 10   | 10   | 300            | -100           | -                | -50              | 10               | 30                    | -                     | -5                              | 250                   | TO-92S              |
| DTA114YSA   | PNP      | 10   | 47   | 300            | -100           | -                | -50              | 6                | 68                    | -                     | -5                              | 250                   | TO-92S              |
| DTA114TSA   | PNP      | 10   | -    | 300            | -100           | -50              | -50              | -5               | 100                   | 600                   | -1                              | 250                   | TO-92S              |
| DTA124ESA   | PNP      | 22   | 22   | 300            | -100           | -                | -50              | 10               | 56                    | -                     | -5                              | 250                   | TO-92S              |
| DTA144ESA   | PNP      | 47   | 47   | 300            | -100           | -                | -50              | 10               | 68                    | -                     | -10                             | 250                   | TO-92S              |
| DTA144TSA   | PNP      | 47   | -    | 300            | -100           | -50              | -50              | -                | 100                   | 600                   | -1                              | 250                   | TO-92S              |

## THYRISTORS

## ANALOG ICs

(T<sub>A</sub>=25°C unless otherwise noted)

| Part No. | V <sub>DRM</sub> & V <sub>RRM</sub> | I <sub>TSM</sub> | P <sub>GM</sub> | V <sub>GRM</sub> | I <sub>DRM</sub> & I <sub>RRM</sub> | V <sub>TM</sub> | I <sub>GFM</sub> | Packages Description | Arrays |
|----------|-------------------------------------|------------------|-----------------|------------------|-------------------------------------|-----------------|------------------|----------------------|--------|
|          | (V)                                 | (A)              | (W)             | (V)              | (μA)                                | (V)             | (A)              |                      |        |
| MCR100-3 | 100                                 | 10               | 0.1             | 5                | 10                                  | 1.7             | 1                | TO-92                | KGA    |
| MCR100-4 | 200                                 | 10               | 0.1             | 5                | 10                                  | 1.7             | 1                | TO-92                | KGA    |
| MCR100-5 | 300                                 | 10               | 0.1             | 5                | 10                                  | 1.7             | 1                | TO-92                | KGA    |
| MCR100-6 | 400                                 | 10               | 0.1             | 5                | 10                                  | 1.7             | 1                | TO-92                | KGA    |
| MCR100-7 | 500                                 | 10               | 0.1             | 5                | 10                                  | 1.7             | 1                | TO-92                | KGA    |
| MCR100-8 | 600                                 | 10               | 0.1             | 5                | 10                                  | 1.7             | 1                | TO-92                | KGA    |

## AMPLIFIERS

(T<sub>A</sub>=25°C unless otherwise noted)

| Part Number | Channel | Supply Voltage (Vcc) |        | Supply Current per Channel (Vcc) |        | Input Offset Voltage |        | Input Bias Current |        | Gain Bandwidth Product | Slew Rate | Output Current Source (Typ.) | Package Description |
|-------------|---------|----------------------|--------|----------------------------------|--------|----------------------|--------|--------------------|--------|------------------------|-----------|------------------------------|---------------------|
|             |         | (Min.)               | (Max.) | (Min.)                           | (Max.) | (Min.)               | (Max.) | (Min.)             | (Max.) |                        |           |                              |                     |
|             |         | (V)                  |        | (mA)                             |        | (mV)                 |        | (nA)               |        |                        |           |                              |                     |
| TS321CX5    | Single  | -                    | 32     | 0.7                              | 1.2    | 2                    | 7      | 45                 | 50     | 1                      | 0.4       | 40                           | SOT-25              |
| TS324CD14   | Quad    | -                    | 32     | 0.7                              | 1.2    | 2                    | 5      | -90                | -250   | 1                      | 0.4       | 40                           | DIP-14              |
| TS324CS14   | Quad    | -                    | 32     | 0.7                              | 1.2    | 2                    | 5      | -90                | -250   | 1                      | 0.4       | 40                           | SOP-14              |
| TS358CD     | Dual    | -                    | 32     | 0.7                              | 1.2    | 2                    | 7      | -45                | -250   | 1                      | 0.4       | 40                           | DIP-8               |
| TS358CS     | Dual    | -                    | 32     | 0.7                              | 1.2    | 2                    | 7      | -45                | -250   | 1                      | 0.4       | 40                           | SOP-8               |
| TS34119CS   | Single  | 2                    | 16     | -                                | -      | -                    | -      | -200               | -      | 1.5                    | -         | -                            | SOP-8               |
| TS34118CS28 | Single  | 3.5                  | 6.5    | 5.5                              | 8      | -                    | -      | -40                | -      | 1                      | -         | -                            | SOP-28              |

## COMPARATORS

(T<sub>A</sub>=25°C unless otherwise noted)

| Part Number | Channel | Supply Voltage (Vcc) |        | Supply Current per Channel (Vcc) |        | Input Offset Voltage |        | Input Bias Current (Typ.) |        | Response Time | Input Common Mode Voltage Range |     | Package Description |
|-------------|---------|----------------------|--------|----------------------------------|--------|----------------------|--------|---------------------------|--------|---------------|---------------------------------|-----|---------------------|
|             |         | (Min.)               | (Max.) | (Min.)                           | (Max.) | (Min.)               | (Max.) | (Min.)                    | (Max.) |               |                                 |     |                     |
|             |         | (V)                  |        | (mA)                             |        | (mV)                 |        | (nA)                      |        |               | (μs)                            | (V) |                     |
| TS331CX5    | Single  | -                    | 36     | 0.4                              | 1      | 2                    | 5      | -                         | 250    | 1.3           | -                               | 1.5 | SOT-25              |
| TS339CD14   | Quad    | -                    | 36     | 0.8                              | 1      | 2                    | 5      | 25                        | 250    | 1.3           | -                               | 1.5 | DIP-14              |
| TS339CS14   | Quad    | -                    | 36     | 0.8                              | 1      | 2                    | 5      | 25                        | 250    | 1.3           | -                               | 1.5 | SOP-14              |
| TS393CD     | Dual    | -                    | 36     | 0.4                              | 1      | 2                    | 5      | -                         | 250    | 1.3           | -                               | 1.5 | DIP-8               |
| TS393CS     | Dual    | -                    | 36     | 0.4                              | 1      | 2                    | 5      | -                         | 250    | 1.3           | 0.4                             | 40  | SOP-8               |

(T<sub>A</sub>=25°C unless otherwise noted)

| Part Number | Supply Voltage (Vcc) |        | Reset Output Type      | Reset Threshold Voltage V <sub>th</sub> (Typ.) | Supply Current I <sub>cc</sub> | Accuracy of Reset Threshold Voltage V <sub>th</sub> | Package Description |
|-------------|----------------------|--------|------------------------|--|--------------------------------|---|---------------------|
|             | (Min.)               | (Max.) |                        | (V)  | (nA)                           | (± %)   |                     |
|             | (V)                  |        |                        | (V)  | (nA)                           | (± %)   |                     |
| TS3809CXA   | 1                    | 6      | Active-Low, Push-pull  | 4.63   | 25                             | 2   | SOT-23              |
| TS3809CXB   | 1                    | 6      | Active-Low, Push-pull  | 4.38   | 25                             | 2   | SOT-23              |
| TS3809CXC   | 1                    | 6      | Active-Low, Push-pull  | 4.00   | 25                             | 2   | SOT-23              |
| TS3809CXD   | 1                    | 6      | Active-Low, Push-pull  | 3.08   | 25                             | 2   | SOT-23              |
| TS3809CXE   | 1                    | 6      | Active-Low, Push-pull  | 2.93   | 25                             | 2   | SOT-23              |
| TS3809CXF   | 1                    | 6      | Active-Low, Push-pull  | 2.63   | 25                             | 2   | SOT-23              |
| TS3809CXG   | 1                    | 6      | Active-Low, Push-pull  | 2.25   | 25                             | 2   | SOT-23              |
| TS3810CXA   | 1                    | 6      | Active-High, Push-pull | 4.63   | 25                             | 2   | SOT-23              |
| TS3810CXB   | 1                    | 6      | Active-High, Push-pull | 4.38   | 25                             | 2   | SOT-23              |
| TS3810CXC   | 1                    | 6      | Active-High, Push-pull | 4.00   | 25                             | 2   | SOT-23              |
| TS3810CXD   | 1                    | 6      | Active-High, Push-pull | 3.08   | 25                             | 2   | SOT-23              |
| TS3810CXE   | 1                    | 6      | Active-High, Push-pull | 2.93   | 25                             | 2   | SOT-23              |
| TS3810CXF   | 1                    | 6      | Active-High, Push-pull | 2.63   | 25                             | 2   | SOT-23              |
| TS3810CXG   | 1                    | 6      | Active-High, Push-pull | 2.25   | 25                             | 2   | SOT-23              |

| Part Number | Supply Voltage (Vcc) |        | Input Offset Voltage (Max.) | Reference Voltage V <sub>ref</sub> (Typ.) | Accuracy of Reference Voltage V <sub>ref</sub> | Package Description |
|-------------|----------------------|--------|-----------------------------|---|--|---------------------|
|             | (Min.)               | (Max.) |                             |   |  |                     |
|             | (V)                  |        |                             |   |  |                     |
| TS103ACS    | 3                    | 18     | 2                           | 2.5                                       | 0.4  | SOP-8               |
| TS103CS     | 3                    | 18     | 3                           | 2.5                                       | 1  | SOP-8               |

## VOLTAGE REGULATORS

## VOLTAGE REGULATORS

(T<sub>A</sub>=25°C unless otherwise noted)

| Part Number | Supply Voltage (Vcc) |        | Output Voltage (V <sub>out</sub> ) | Output Current I <sub>out</sub> (Typ.) | Dropout Voltage V <sub>drop</sub> (Typ.) | Quiescent Current I <sub>q</sub> (Typ.) | Output Voltage Accuracy | Package Description             |
|-------------|----------------------|--------|------------------------------------|--|--|---|-------------------------|---------------------------------|
|             | (Min.)               | (Max.) |                                    |  |  |   |                         |                                 |
|             | (V)                  |        | (V)                                | (A)                                    | (V)                                      | (μA)                                    | (± %)                   |                                 |
| TS1117BCP   | -                    | 15     | Adj (1.25V Vref)                   | 1                                      | 1.3                                      | 5,000                                   | 2                       | D-PAK (TO-252)                  |
| TS1117BCP33 | -                    | 15     | 3.3                                | 1                                      | 1.3                                      | 5,000                                   | 2                       | D-PAK (TO-252)                  |
| TS1117BCP50 | -                    | 15     | 5                                  | 1                                      | 1.3                                      | 5,000                                   | 2                       | D-PAK (TO-252)                  |
| TS1117BCS33 | -                    | 15     | 3.3                                | 1                                      | 1.3                                      | 5,000                                   | 2                       | SOP-8                           |
| TS1117BCW   | -                    | 15     | Adj (1.25V Vref)                   | 1                                      | 1.3                                      | 5,000                                   | 2                       | SOT-223                         |
| TS1117BCW12 | -                    | 15     | 1.2                                | 1                                      | 1.3                                      | 5,000                                   | 2                       | SOT-223                         |
| TS1117BCW18 | -                    | 15     | 1.8                                | 1                                      | 1.3                                      | 5,000                                   | 2                       | SOT-223                         |
| TS1117BCW25 | -                    | 15     | 2.5                                | 1                                      | 1.3                                      | 5,000                                   | 2                       | SOT-223                         |
| TS1117BCW33 | -                    | 15     | 3.3                                | 1                                      | 1.3                                      | 5,000                                   | 2                       | SOT-223                         |
| TS1117BCW50 | -                    | 15     | 5                                  | 1                                      | 1.3                                      | 5,000                                   | 2                       | SOT-223                         |
| TS29152CM5  | -                    | 26     | Adj (1.25V Vref)                   | 1.5                                    | 0.35                                     | 2,200                                   | 2                       | D <sup>2</sup> -PAK (TO-263-5L) |
| TS29152CZ5  | -                    | 26     | Adj (1.25V Vref)                   | 1.5                                    | 0.35                                     | 2,200                                   | 2                       | TO-220-5L                       |
| TS2937CM33  | -                    | 26     | 3.3                                | 0.5                                    | 0.6                                      | 2,500                                   | 2                       | D <sup>2</sup> -PAK (TO-263AB)  |
| TS2937CM50  | -                    | 26     | 5                                  | 0.5                                    | 0.6                                      | 2,500                                   | 2                       | D <sup>2</sup> -PAK (TO-263AB)  |
| TS2937CP33  | -                    | 26     | 3.3                                | 0.5                                    | 0.6                                      | 2,500                                   | 2                       | D-PAK (TO-252)                  |
| TS2937CP50  | -                    | 26     | 5                                  | 0.5                                    | 0.6                                      | 2,500                                   | 2                       | D-PAK (TO-252)                  |
| TS2937CW33  | -                    | 26     | 3.3                                | 0.5                                    | 0.6                                      | 2,500                                   | 2                       | SOT-223                         |
| TS2937CW50  | -                    | 26     | 5                                  | 0.5                                    | 0.6                                      | 2,500                                   | 2                       | SOT-223                         |
| TS2937CZ33  | -                    | 26     | 3.3                                | 0.5                                    | 0.6                                      | 2,500                                   | 2                       | TO-220                          |
| TS2937CZ50  | -                    | 26     | 5                                  | 0.5                                    | 0.6                                      | 2,500                                   | 2                       | TO-220                          |
| TS2938CS33  | -                    | 26     | 3.3                                | 0.5                                    | 0.5                                      | 2,500                                   | 2                       | SOP-8                           |
| TS2938CS50  | -                    | 26     | 5                                  | 0.5                                    | 0.5                                      | 2,500                                   | 2                       | SOP-8                           |
| TS2940CM33  | -                    | 26     | 3.3                                | 1                                      | 0.6                                      | 7,500                                   | 2                       | D <sup>2</sup> -PAK (TO-263AB)  |
| TS2940CM50  | -                    | 26     | 5                                  | 1                                      | 0.6                                      | 7,500                                   | 2                       | D <sup>2</sup> -PAK (TO-263AB)  |
| TS2940CP33  | -                    | 26     | 3.3                                | 1                                      | 0.6                                      | 7,500                                   | 2                       | D-PAK (TO-252)                  |
| TS2940CP50  | -                    | 26     | 5                                  | 1                                      | 0.6                                      | 7,500                                   | 2                       | D-PAK (TO-252)                  |
| TS2940CW33  | -                    | 26     | 3.3                                | 1                                      | 0.6                                      | 7,500                                   | 2                       | SOT-223                         |
| TS2940CW50  | -                    | 26     | 5                                  | 1                                      | 0.6                                      | 7,500                                   | 2                       | SOT-223                         |
| TS2940CZ33  | -                    | 26     | 3.3                                | 1                                      | 0.6                                      | 7,500                                   | 2                       | TO-220                          |
| TS2940CZ50  | -                    | 26     | 5                                  | 1                                      | 0.6                                      | 7,500                                   | 2                       | TO-220                          |
| TS2950CT33  | -                    | 30     | 3.3                                | 0.15                                   | 0.38                                     | 8,000                                   | 1.5                     | TO-92                           |
| TS2950CT50  | -                    | 30     | 5                                  | 0.15                                   | 0.38                                     | 8,000                                   | 1.5                     | TO-92                           |
| TS2951CS30  | -                    | 30     | 3.0                                | 0.15                                   | 0.38                                     | 8,000                                   | 1.5                     | SOP-8                           |
| TS2951CS33  | -                    | 30     | 3.3                                | 0.15                                   | 0.38                                     | 8,000                                   | 1.5                     | SOP-8                           |
| TS2951CS50  | -                    | 30     | 5                                  | 0.15                                   | 0.38                                     | 8,000                                   | 1.5                     | SOP-8                           |
| TS317CM     | -                    | 40     | Adj (1.25V Vref)                   | 1                                      | 2  | -                                       | 4                       | D <sup>2</sup> -PAK (TO-263AB)  |
| TS317CP     | -                    | 40     | Adj (1.25V Vref)                   | 0.5                                    | 2  | -                                       | 4                       | D-PAK (TO-252)                  |
| TS317CW     | -                    | 40     | Adj (1.25V Vref)                   | 0.5                                    | 2  | -                                       | 4                       | SOT-223                         |
| TS317CZ     | -                    | 40     | Adj (1.25V Vref)                   | 1                                      | 2  | -                                       | 4                       | TO-220                          |
| TS317LCS    | -                    | 40     | Adj (1.25V Vref)                   | 0.1                                    | 2  | -                                       | 4                       | SOP-8                           |
| TS3480CX33  | -                    | 30     | 3.3                                | 0.1                                    | 0.95                                     | 3,000                                   | 2                       | SOT-23                          |
| TS3480CX50  | -                    | 30     | 3.3                                | 0.1                                    | 0.95                                     | 3,000                                   | 2                       | SOT-23                          |
| TS39100CP50 | -                    | 20     | 5                                  | 1                                      | 0.4                                      | 1,700                                   | 2                       | D-PAK (TO-252)                  |
| TS39100CW50 | -                    | 20     | 5                                  | 1                                      | 0.4                                      | 1,700                                   | 2                       | SOT-223                         |
| TS39101CS50 | -                    | 20     | 5                                  | 1                                      | 0.4                                      | 1,700                                   | 2                       | SOP-8                           |

| Part Number | Supply Voltage (Vcc) |        | Output Voltage (V <sub>out</sub> ) | Output Current I <sub>out</sub> (Typ.) | Dropout Voltage V <sub>drop</sub> (Typ.) | Quiescent Current I <sub>q</sub> (Typ.) | Output Voltage Accuracy | Package Description |
|-------------|----------------------|--------|------------------------------------|--|--|---|-------------------------|---------------------|
|             | (Min.)               | (Max.) |                                    |  |  |   |                         |                     |
|             | (V)                  |        | (V)                                | (A)                                    | (V)                                      | (μA)                                    | (± %)                   |                     |
| TS39102CS   | -                    | 20     | Adj (1.25V Vref)                   | 1                                      | 0.4                                      | 1,700                                   | 2                       | SOP-8               |
| TS39104CS   | -                    | 20     | Adj (1.25V Vref)                   | 1                                      | 0.4                                      | 1,700                                   | 2                       | SOP-8               |
| TS4264CW50  | -                    | 45     | 5                                  | 0.15                                   | 0.25                                     | 10,000                                  | 2                       | SOT-223             |
| TS4264GCW50 | -                    | 45     | 5                                  | 0.15                                   | 0.25                                     | 1,700                                   | 2                       | SOT-223             |
| TS4274CP50  | -                    | 26     | 5                                  | 0.4                                    | 0.5                                      | 2,500                                   | 2                       | D-PAK (TO-252)      |
| TS5204CQ33  | -                    | 20     | 3.3                                | 0.08                                   | 0.3                                      | 2,600                                   | 3                       | DFN 2x2             |
| TS5204CQ50  | -                    | 20     | 5                                  | 0.08                                   | 0.3                                      | 2,600                                   | 3                       | DFN 2x2             |
| TS5204CX33  | -                    | 20     | 3.3                                | 0.08                                   | 0.3                                      | 2,600                                   | 4                       | SOT-23              |
| TS5204CX50  | -                    | 20     | 5                                  | 0.08                                   | 0.3                                      | 2,600                                   | 4                       | SOT-23              |
| TS5204CY50  | -                    | 20     | 5                                  | 0.08                                   | 0.3                                      | 2,600                                   | 4                       | SOT-89              |
| TS5205CX5   | -                    | 20     | Adj (1.25V Vref)                   | 0.15                                   | 0.17                                     | 1,300                                   | 2                       | SOT-25              |
| TS5205CX525 | -                    | 20     | 2.5                                | 0.15                                   | 0.17                                     | 1,300                                   | 2                       | SOT-25              |
| TS5205CX533 | -                    | 20     | 3.3                                | 0.15                                   | 0.17                                     | 1,300                                   | 2                       | SOT-25              |
| TS5205CX550 | -                    | 20     | 5                                  | 0.15                                   | 0.17                                     | 1,300                                   | 2                       | SOT-25              |
| TS5213CX533 | -                    | 20     | 3.3                                | 0.08                                   | 0.32                                     | 1,800                                   | 3                       | SOT-25              |
| TS5213CX550 | -                    | 20     | 5                                  | 0.08                                   | 0.32                                     | 1,800                                   | 3                       | SOT-25              |
| TS7805CI    | -                    | 35     | 5                                  | 1                                      | 2  | 4,200                                   | 4                       | ITO-220             |
| TS7805CZ    | -                    | 35     | 5                                  | 1                                      | 2  | 4,300                                   | 4                       | TO-220              |
| TS7808CI    | -                    | 35     | 8                                  | 1                                      | 2  | 4,300                                   | 4                       | ITO-220             |
| TS7808CZ    | -                    | 35     | 8                                  | 1                                      | 2  | 4,300                                   | 4                       | TO-220              |
| TS7809CI    | -                    | 35     | 9                                  | 1                                      | 2  | 4,300                                   | 4                       | ITO-220             |
| TS7809CZ    | -                    | 35     | 9                                  | 1                                      | 2  | 4,300                                   | 4                       | TO-220              |
| TS7812CI    | -                    | 35     | 12                                 | 1                                      | 2  | 4,300                                   | 4                       | ITO-220             |
| TS7812CZ    | -                    | 35     | 12                                 | 1                                      | 2  | 4,300                                   | 4                       | TO-220              |
| TS7824CZ    | -                    | 40     | 24                                 | 1                                      | 2  | 4,300                                   | 4                       | TO-220              |
| TS78L03ACY  | -                    | 30     | 3.0                                | 0.1                                    | 2  | 3,000                                   | 4                       | SOT-89              |
| TS78L03CS   | -                    | 30     | 3.0                                | 0.1                                    | 2  | 3,000                                   | 4                       | SOP-8               |
| TS78L03CT   | -                    | 30     | 3.0                                | 0.1                                    | 2  | 3,000                                   | 4                       | TO-92               |
| TS78L03CX   | -                    | 30     | 3.0                                | 0.1                                    | 2  | 3,000                                   | 4                       | SOT-23              |
| TS78L05ACY  | -                    | 35     | 5                                  | 0.1                                    | 2  | 3,000                                   | 4                       | SOT-89              |
| TS78L05CS   | -                    | 35     | 5                                  | 0.1                                    | 2  | 3,000                                   | 4                       | SOP-8               |
| TS78L05CT   | -                    | 35     | 5                                  | 0.1                                    | 2  | 3,000                                   | 4                       | TO-92               |
| TS78L05CX   | -                    | 35     | 5                                  | 0.1                                    | 2  | 3,000                                   | 4                       | SOT-23              |
| TS78L09ACY  | -                    | 35     | 9                                  | 0.1                                    | 2  | 3,000                                   | 4                       | SOT-89              |
| TS78L09CS   | -                    | 35     | 9                                  | 0.1                                    | 2  | 3,000                                   | 4                       | SOP-8               |
| TS78L09CT   | -                    | 35     | 9                                  | 0.1                                    | 2  | 3,000                                   | 4                       | TO-92               |
| TS78L09CX   | -                    | 35     | 9                                  | 0.1                                    | 2  | 3,000                                   | 4                       | SOT-23              |
| TS78L12ACY  | -                    | 35     | 12                                 | 0.1                                    | 2  | 3,000                                   | 4                       | SOT-89              |
| TS78L12CS   | -                    | 35     | 12                                 | 0.1                                    | 2  | 3,000                                   | 4                       | SOP-8               |
| TS78L12CT   | -                    | 35     | 12                                 | 0.1                                    | 2  | 3,000                                   | 4                       | TO-92               |
| TS78L15ACY  | -                    | 35     | 15                                 | 0.1                                    | 2  | 3,000                                   | 4                       | SOT-89              |
| TS78L15CS   | -                    | 35     | 15                                 | 0.1                                    | 2  | 3,000                                   | 4                       | SOP-8               |
| TS78L15CT   | -                    | 35     | 15                                 | 0.1                                    | 2  | 3,000                                   | 4                       | TO-92               |
| TS78L24CS   | -                    | 40     | 24                                 | 0.1                                    | 2  | 3,000                                   | 4                       | SOP-8               |
| TS78M05ACP  | -                    | 35     | 5                                  | 0.5                                    | 2  | 3,000                                   | 2                       | D-PAK (TO-252)      |

## VOLTAGE REGULATORS

| Part Number | Supply Voltage (Vcc) |        | Output Voltage (V <sub>out</sub> ) | Output Current I <sub>out</sub> (Typ.) | Dropout Voltage V <sub>drop</sub> (Typ.) | Quiescent Current I <sub>q</sub> (Typ.) | Output Voltage Accuracy | Package Description |
|-------------|----------------------|--------|------------------------------------|--|--|---|-------------------------|---------------------|
|             | (Min.)               | (Max.) |                                    |  |  |   |                         |                     |
|             | (V)                  |        | (V)                                | (A)                                    | (V)                                      | (μA)                                    | (± %)                   |                     |
| TS78M05CP   | -                    | 35     | 5                                  | 0.5                                    | 2  | 3,000                                   | 4                       | D-PAK (TO-252)      |
| TS78M12CP   | -                    | 35     | 12                                 | 0.5                                    | 2  | 3,000                                   | 4                       | D-PAK (TO-252)      |
| TS7905CI    | -                    | -35    | 5                                  | 1                                      | 2  | 4,000                                   | 4                       | ITO-220             |
| TS7905CZ    | -                    | -35    | 5                                  | 1                                      | 2  | 4,000                                   | 4                       | TO-220              |
| TS7912CI    | -                    | -35    | 12                                 | 1                                      | 2  | 4,000                                   | 4                       | ITO-220             |
| TS7912CZ    | -                    | -35    | 12                                 | 1                                      | 2  | 4,000                                   | 4                       | TO-220              |
| TS79L05CT   | -                    | -35    | 5                                  | 1                                      | 2  | 4,000                                   | 4                       | TO-92               |
| TS79L05CY   | -                    | -35    | 5                                  | 1                                      | 2  | 4,000                                   | 4                       | SOT-89              |
| TS79L09CT   | -                    | -35    | 9                                  | 1                                      | 2  | 4,000                                   | 4                       | TO-92               |
| TS79M05CP   | -                    | -35    | 5                                  | 0.5                                    | 2  | 4,000                                   | 4                       | D-PAK (TO-252)      |
| TS79M05CZ   | -                    | -35    | 5                                  | 0.5                                    | 2  | 4,000                                   | 4                       | TO-220              |
| TS79M12CP   | -                    | -35    | 12                                 | 0.5                                    | 2  | 4,000                                   | 4                       | D-PAK (TO-252)      |
| TS9005DCX5  | 2.5                  | 5.5    | 1.8                                | 0.6                                    | 0.35                                     | 50                                      | 2                       | SOT-25              |
| TS9005SCX5  | 2.5                  | 5.5    | 3.3                                | 0.6                                    | 0.35                                     | 50                                      | 2                       | SOT-25              |
| TS9008DCX   | 2.8                  | 5.5    | 1.8                                | 0.3                                    | 0.25                                     | 30                                      | 2                       | SOT-23              |
| TS9008DCX5  | 2.8                  | 5.5    | 1.8                                | 0.3                                    | 0.25                                     | 30                                      | 2                       | SOT-25              |
| TS9008SCX   | 2.8                  | 5.5    | 3.3                                | 0.3                                    | 0.25                                     | 30                                      | 2                       | SOT-23              |
| TS9008SCX5  | 2.8                  | 5.5    | 3.3                                | 0.3                                    | 0.25                                     | 30                                      | 2                       | SOT-25              |
| TS9011SCX   | -                    | 12     | 5                                  | 0.25                                   | 0.4                                      | 2                                       | 2                       | SOT-23              |
| TS9011SCY   | -                    | 12     | 5                                  | 0.25                                   | 0.4                                      | 2                                       | 2                       | SOT-89              |
| TS9011ACX   | -                    | 12     | 1.5                                | 0.25                                   | 0.4                                      | 2                                       | 2                       | SOT-23              |
| TS9011DCX   | -                    | 12     | 1.8                                | 0.25                                   | 0.4                                      | 2                                       | 2                       | SOT-23              |
| TS9011DCY   | -                    | 12     | 1.8                                | 0.25                                   | 0.4                                      | 2                                       | 2                       | SOT-89              |
| TS9011KCX   | -                    | 12     | 2.5                                | 0.25                                   | 0.4                                      | 2                                       | 2                       | SOT-23              |
| TS9011KCY   | -                    | 12     | 2.5                                | 0.25                                   | 0.4                                      | 2                                       | 2                       | SOT-89              |
| TS9011PCX   | -                    | 12     | 3.0                                | 0.25                                   | 0.4                                      | 2                                       | 2                       | SOT-23              |
| TS9011PCY   | -                    | 12     | 3.0                                | 0.25                                   | 0.4                                      | 2                                       | 2                       | SOT-89              |
| TS9011SCX   | -                    | 12     | 3.3                                | 0.25                                   | 0.4                                      | 2                                       | 2                       | SOT-23              |
| TS9011SCY   | -                    | 12     | 3.3                                | 0.25                                   | 0.4                                      | 2                                       | 2                       | SOT-89              |
| TS90135CW   | -                    | 12     | 5                                  | 0.5                                    | 0.3                                      | 15                                      | 2                       | SOT-223             |
| TS9013DCW   | -                    | 12     | 1.8                                | 0.5                                    | 0.6                                      | 15                                      | 2                       | SOT-223             |
| TS9013DCY   | -                    | 12     | 1.8                                | 0.5                                    | 0.6                                      | 15                                      | 2                       | SOT-89              |
| TS9013KCW   | -                    | 12     | 2.5                                | 0.5                                    | 0.6                                      | 15                                      | 2                       | SOT-223             |
| TS9013KCY   | -                    | 12     | 2.5                                | 0.5                                    | 0.6                                      | 15                                      | 2                       | SOT-89              |
| TS9013SCW   | -                    | 12     | 3.3                                | 0.5                                    | 0.5                                      | 15                                      | 2                       | SOT-223             |
| TS9013SCY   | -                    | 12     | 3.3                                | 0.5                                    | 0.5                                      | 15                                      | 2                       | SOT-89              |
| TS9015CX5   | 2                    | 7      | Adj (0.9V Vref)                    | 0.3                                    | 0.3                                      | 50                                      | 2                       | SOT-25              |
| TS9230CS    | 3                    | 5.5    | Adj (0.5V Vref)                    | 3                                      | 0.2                                      | 15                                      | 2                       | SOP-8EP             |

## SWITCHING REGULATORS

(TA=25°C unless otherwise noted)

| Part Number | Topology         | Synchronous Rectification | Supply Voltage (Vcc) |        | Output Voltage (V <sub>out</sub> ) | Switch Output Current I <sub>sw</sub> (Typ.) | Switching Frequency |        | Quiescent Current (Typ.) | Package Description             |
|-------------|------------------|---------------------------|----------------------|--------|------------------------------------|--|---------------------|--------|--------------------------|---------------------------------|
|             |                  |                           | (Min.)               | (Max.) |                                    |  | (Min.)              | (Max.) |                          |                                 |
|             |                  |                           | (V)                  |        | (V)                                | (A)  | (kHz)               |        | (mA)                     |                                 |
| TS34063CS   | Buck (Step-down) | No                        | 3                    | 40     | Adj (1.25V Vref)                   | 1.5  | 0.1                 | 100    | 3                        | SOP-8                           |
| TS34063CD   | Buck (Step-down) | No                        | 3                    | 40     | Adj (1.25V Vref)                   | 1.5  | 0.1                 | 100    | 3                        | DIP-8                           |
| TS2596CZ5   | Buck (Step-down) | No                        | 4.5                  | 40     | Adj (1.23V Vref)                   | 3  | -                   | 150    | 5                        | TO-220-5L                       |
| TS2596CZ533 | Buck (Step-down) | No                        | 4.5                  | 40     | 3                                  | 3  | -                   | 150    | 5                        | TO-220-5L                       |
| TS2596CZ550 | Buck (Step-down) | No                        | 4.5                  | 40     | 5                                  | 3  | -                   | 150    | 5                        | TO-220-5L                       |
| TS2596CM5   | Buck (Step-down) | No                        | 4.5                  | 40     | Adj (1.23V Vref)                   | 3  | -                   | 150    | 5                        | D <sup>2</sup> -PAK (TO-263-5L) |
| TS2596CM533 | Buck (Step-down) | No                        | 4.5                  | 40     | 3                                  | 3  | -                   | 150    | 5                        | D <sup>2</sup> -PAK (TO-263-5L) |
| TS2596CM550 | Buck (Step-down) | No                        | 4.5                  | 40     | 5                                  | 3  | -                   | 150    | 5                        | D <sup>2</sup> -PAK (TO-263-5L) |
| TS2596SCS   | Buck (Step-down) | No                        | 4.5                  | 24     | Adj (1.23V Vref)                   | 2  | -                   | 150    | 5                        | SOP-8                           |
| TS2596SCS50 | Buck (Step-down) | No                        | 4.5                  | 24     | 5                                  | 2  | -                   | 150    | 5                        | SOP-8                           |
| TS2509CS    | Buck (Step-down) | No                        | 4.5                  | 23     | Adj (0.8V Vref)                    | 3  | -                   | 500    | 3                        | SOP-8                           |
| TS2580CS    | Buck (Step-down) | No                        | 4.5                  | 40     | Adj (1.23V Vref)                   | 2  | -                   | 52     | 4                        | SOP-8                           |
| TS2581CS    | Buck (Step-down) | No                        | 4.5                  | 40     | Adj (1V Vref)                      | External P-MOS                               | -                   | 100    | 3                        | SOP-8                           |
| TS3406CX5   | Buck (Step-down) | Yes                       | 2.5                  | 6      | Adj (0.6V Vref)                    | 0.6  | -                   | 1,500  | -                        | SOT-25                          |
| TS3410CX5   | Buck (Step-down) | Yes                       | 2.5                  | 6      | Adj (0.6V Vref)                    | 1  | -                   | 1,400  | 0.25                     | SOT-25                          |
| TS3420CX6   | Buck (Step-down) | Yes                       | 2.8                  | 6      | Adj (0.6V Vref)                    | 2  | -                   | 1,250  | 0.20                     | SOT-25                          |
| TS3552CS    | Buck (Step-down) | Yes                       | 4.75                 | 23     | Adj (0.925V Vref)                  | 2  | -                   | 350    | -                        | SOP-8                           |
| TS3553CS    | Buck (Step-down) | Yes                       | 4.75                 | 23     | Adj (0.925V Vref)                  | 3  | -                   | 350    | -                        | SOP-8EP                         |
| TS1935BCX5  | Boost (Step-up)  | No                        | 2.7                  | 5.5    | Adj (1.238V Vref)                  | 1.9  | -                   | 1,200  | 0.15                     | SOT-25                          |
| TS1910CS    | Boost (Step-up)  | No                        | 2.6                  | 5.5    | Adj (1.238V Vref)                  | 2  | 900                 | 1,500  | 0.15                     | SOP-8EP                         |
| TS1910ACS   | Boost (Step-up)  | No                        | 2.6                  | 5.5    | Adj (1.238V Vref)                  | 3  | 900                 | 1,500  | 0.15                     | SOP-8EP                         |
| TS19375CS   | Boost (Step-up)  | No                        | 3                    | 24     | 1                                  | External N-MOS                               | 400                 | 600    | 4                        | SOP-8                           |



## VOLTAGE REFERENCES

## LED DRIVERS

(T<sub>A</sub>=25°C unless otherwise noted)

| Part Number | Supply Voltage (Vcc) |        | Reference Voltage V <sub>ref</sub> | Accuracy of Reference Voltage V <sub>ref</sub> | Operating Cathode Current I <sub>ka</sub> |        | Operating Temperature T <sub>j</sub> |        | Package Description |
|-------------|----------------------|--------|------------------------------------|--|---|--------|--------------------------------------|--------|---------------------|
|             | (Min.)               | (Max.) |                                    |  | (Typ.)                                    | (Max.) | (Min.)                               | (Max.) |                     |
|             | (V)                  |        |                                    |  | (mA)                                      |        | (°C)                                 |        |                     |
| TS432BCX    | -                    | 18     | 1.24                               | 0.5  | 0.02                                      | 0.08   | 0                                    | 70     | SOT-23              |
| TS432BIX    | -                    | 18     | 1.24                               | 0.5  | 0.02                                      | 0.08   | -40                                  | 85     | SOT-23              |
| TS1431BCX   | -                    | 37     | 2.495                              | 0.5  | 0.4                                       | 0.60   | 0                                    | 70     | SOT-23              |
| TS431BCS    | -                    | 37     | 2.495                              | 0.5  | 0.4                                       | 0.60   | 0                                    | 70     | SOP-8               |
| TS431BCT    | -                    | 37     | 2.495                              | 0.5  | 0.4                                       | 0.60   | 0                                    | 70     | TO-92               |
| TS431BCX    | -                    | 37     | 2.495                              | 0.5  | 0.4                                       | 0.60   | 0                                    | 70     | SOT-23              |
| TS431BCX-Z  | -                    | 36     | 2.495                              | 0.5  | 0.2                                       | 0.50   | -20                                  | 85     | SOT-23              |
| TS432ACX    | -                    | 18     | 1.24                               | 1  | 0.02                                      | 0.08   | 0                                    | 70     | SOT-23              |
| TS432AIX    | -                    | 18     | 1.24                               | 1  | 0.02                                      | 0.08   | -40                                  | 105    | SOT-23              |
| TS1431ACX   | -                    | 37     | 2.495                              | 1  | 0.4                                       | 0.60   | 0                                    | 70     | SOT-23              |
| TS431ACS    | -                    | 37     | 2.495                              | 1  | 0.4                                       | 0.60   | 0                                    | 70     | SOP-8               |
| TS431ACT    | -                    | 37     | 2.495                              | 1  | 0.4                                       | 0.60   | 0                                    | 70     | TO-92               |
| TS431ACX    | -                    | 37     | 2.495                              | 1  | 0.4                                       | 0.60   | 0                                    | 70     | SOT-23              |
| TS431ACX-Z  | -                    | 36     | 2.495                              | 1  | 0.2                                       | 0.50   | -20                                  | 85     | SOT-23              |
| TS431CS     | -                    | 37     | 2.495                              | 2  | 0.4                                       | 0.60   | 0                                    | 70     | SOP-8               |
| TS431CT     | -                    | 37     | 2.495                              | 2  | 0.4                                       | 0.60   | 0                                    | 70     | TO-92               |
| TS431CX     | -                    | 37     | 2.495                              | 2  | 0.4                                       | 0.60   | 0                                    | 70     | SOT-23              |

(T<sub>A</sub>=25°C unless otherwise noted)

| Part Number    | Topology                        | Active PFC | Supply Voltage (Vcc) |        | Switch Output Current I <sub>SW</sub> (Typ.) | Dimming |        |       | Switching Frequency |        | Package Description |
|----------------|---------------------------------|------------|----------------------|--------|--|---------|--------|-------|---------------------|--------|---------------------|
|                |                                 |            | (Min.)               | (Max.) |  | PWM     | LINEAR | TRIAC | (Min.)              | (Max.) |                     |
|                |                                 |            | (V)                  |        |  |         |        |       | A                   | (kHz)  |                     |
| TS19371CX6     | Boost (Step-up)                 | -          | 2.5                  | 18     | 0.65   | Yes     | -      | -     | 800                 | 1,600  | SOT-26              |
| TS1916CX6      | Boost (Step-up)                 | -          | 2.5                  | 5.5    | 1.7  | Yes     | -      | -     | 750                 | 1,250  | SOT-26              |
| TS19375CS      | Boost (Step-up)                 | -          | 3                    | 24     | External N-MOS                               | Yes     | -      | -     | 400                 | 600    | SOP-8               |
| TS19376CY5     | Buck (Step-down)                | -          | 8                    | 32     | 1  | Yes     | -      | -     | -                   | 1,000  | SOT-89-5L           |
| TS19377CS      | Buck (Step-down)                | -          | 3.6                  | 23     | 2  | No      | -      | -     | -                   | 330    | SOP-8               |
| TS19378CS      | Buck (Step-down)                | -          | 8                    | 40     | 2  | Yes     | -      | -     | -                   | 300    | SOP-8               |
| TS19601CP5     | Linear                          | -          | 5                    | 50     | Adj~0.7                                      | Yes     | -      | -     | -                   | -      | D-PAK (TO-252-5L)   |
| TS19603CS      | Linear                          | -          | 5                    | 50     | Adj~0.4                                      | Yes     | -      | -     | -                   | -      | SOP-8EP             |
| TS19450CS      | Buck (Step-down)                | -          | 8                    | 450    | External N-MOS                               | Yes     | Yes    | -     | -                   | -      | SOP-8               |
| TS19460CS      | Buck (Step-down)                | -          | 8                    | 450    | External N-MOS                               | Yes     | Yes    | -     | -                   | -      | SOP-8               |
| TS19451CY      | Buck (Step-down)                | -          | -                    | 475    | 0.05   | -       | -      | -     | -                   | -      | SOT-89              |
| TS19452CS      | Buck (Step-down)                | -          | -                    | 475    | 0.1  | -       | -      | -     | -                   | -      | SOP-8               |
| TS19453CS      | Buck (Step-down)                | -          | -                    | 475    | Adj~0.05                                     | -       | -      | -     | -                   | -      | SOP-8               |
| TS19702CX6     | Buck (Step-down)                | Yes        | -                    | 30     | External N-MOS                               | Yes     | Yes    | -     | 42                  | 48     | SOT-26              |
| TS19720CX6     | Buck (Step-down)                | Yes        | -                    | 40     | External N-MOS                               | -       | -      | -     | 40                  | 60     | SOT-26              |
| TS19701ACX6    | PSR FlyBack                     | -          | -                    | -      | External N-MOS                               | -       | -      | -     | 55                  | 65     | SOT-26              |
| TS19704CS      | PSR FlyBack                     | Yes        | 17.2                 | 19.2   | External N-MOS                               | -       | -      | -     | -                   | 45     | SOP-8               |
| TS19705CX6     | PSR FlyBack/Buck-Boost          | Yes        | -                    | 38     | External N-MOS                               | -       | -      | -     | -                   | 45     | SOT-26              |
| TS19310A/BCX6* | PSR FlyBack/Buck-Boost          | Yes        | -                    | 34.5   | External N-MOS                               | -       | -      | Yes   | -                   | 45     | SOT-26              |
| TS19340CS14**  | Secondary-Side CC/CV Controller | -          | -                    | 38     | -  | Yes     | Yes    | -     | -                   | -      | SOP-14              |

Note. \* - Q4/2014, \*\* - Q2/2015

## HALL SENSORS

(T<sub>A</sub>=25°C unless otherwise noted)

| Part Number | Type       | Supply Voltage (Vcc) |         | Output Current (mA) | Supply Current Typ (mA) | Bop     |         | Brp     |         | Package Description |
|-------------|------------|----------------------|---------|---------------------|-------------------------|---------|---------|---------|---------|---------------------|
|             |            | Min (V)              | Max (V) |                     |                         | Min (G) | Max (G) | Min (G) | Max (G) |                     |
| TSH251CT    | Omni-Polar | 1.65                 | 3.5     | 1                   | 1.4                     | -55     | 55      | 10      | -10     | TO-92S              |
| TSH251CX    | Omni-Polar | 1.65                 | 3.5     | 1                   | 1.4                     | -55     | 55      | 10      | -10     | TSOT-23             |
| TSH253CT    | Omni-Polar | 1.8                  | 6       | 1                   | 2.6                     | -60     | 60      | 5       | -5      | TO-92S              |
| TSH253CX    | Omni-Polar | 1.8                  | 6       | 1                   | 2.6                     | -60     | 60      | 5       | -5      | SOT-23              |
| TSH248CX    | Omni-Polar | 2.5                  | 3.5     | 2                   | 2.5                     | 6       | 60      | 5       | 59      | TSOT-23             |
| TSH282CT    | Unipolar   | 3                    | 24      | 50                  | 2.5                     | 45      | 100     | 25      | 70      | TO-92S              |
| TSH282CX    | Unipolar   | 3                    | 24      | 50                  | 2.5                     | 45      | 100     | 25      | 70      | SOT-23              |
| TSH188CT    | Latch      | 2.5                  | 24      | 50                  | 5                       | 5       | 25      | -25     | -5      | TO-92S              |
| TSH188CX    | Latch      | 2.5                  | 24      | 50                  | 5                       | 5       | 25      | -25     | -5      | SOT-23              |
| TSH181CT    | Latch      | 3.5                  | 20      | 25                  | 4                       | 5       | 90      | -90     | -5      | TO-92S              |
| TSH190CT    | Latch      | 4                    | 30      | 25                  | 3                       | 10      | 110     | -110    | -10     | TO-92S              |
| TSH190CX    | Latch      | 4                    | 30      | 25                  | 3                       | 10      | 110     | -110    | -10     | SOT-23              |
| TSH481CT    | Linear     | 3                    | 6.5     | 10                  | 2.5                     | -800    | 800     | -       | -       | TO-92S              |

## PACKING CODE LIST OF TSC

## PACKING CODE LIST OF TSC

### TUBE PACK

| Outline (Package)      | Box (pc) | Carton (pc) | Carton Size (mm) | Gross Weight (kg) | AEC-Q101 Qualified | Packing Code | Green Compound Code |
|------------------------|----------|-------------|------------------|-------------------|--------------------|--------------|---------------------|
| TO-220 (50pcs/tube)    | 2,000    | 8,000       | 630x355x230      | 28                | -                  | C0           | Suffix "G"          |
| TO-220-5L (50pcs/tube) | 2,000    | 8,000       | 630x355x233      | 26                | -                  | C0           |                     |
| ITO-220-4L(50pcs/tube) | 2,000    | 8,000       | 628x355x230      | 21.8              | -                  | C0           |                     |
| ITO-220 (50pcs/tube)   | 2,000    | 8,000       | 590x370x200      | 25.02             | -                  | C0           |                     |
| TO-251 (75pcs/tube)    | 3,750    | 30,000      | 585x350x315      | 15                | -                  | C5           |                     |
| DIP-8 (50pcs/tube)     | 2,000    | 20,000      | 560x310x275      | 19.42             | -                  | C3           |                     |
| DIP-14 (25pcs/tube)    | 1,000    | 10,000      | 560x310x275      | 19.84             | -                  | C4           |                     |
| DIP-16 (25pcs/tube)    | 5,000    | 10,000      | 580x345x250      | 21                | -                  | C4           |                     |
| SOP-28 (25pcs/tube)    | 1,500    | 15,000      | 560x310x275      | 28.4              | -                  | C8           |                     |

### REEL PACKING

| Outline (Package)                 | Reel (pc) | Inner Box (pc) | Carton (pc) | Carton Size (mm) | Gross Weight (kg / Carton) | Reel Size (inch) | AEC-Q101 Qualified | Packing Code | Green Compound Code |
|-----------------------------------|-----------|----------------|-------------|------------------|----------------------------|------------------|--------------------|--------------|---------------------|
| 201                               | 8,000     | 40,000         | 800,000     | 385x373x352      | 5.5                        | 7                | -                  | R8           | Suffix "G"          |
| 201                               | 10,000    | 150,000        | 600,000     | 438x438x220      | 10                         | 7                | -                  | R6           |                     |
| 0402-3P                           | 5,000     | 50,000         | 200,000     | 370x350x200      | 9                          | 7                | -                  | R3           |                     |
| 503                               | 4,000     | 20,000         | 120,000     | 370x350x200      | 5.6                        | 7                | -                  | RZ           |                     |
| 603                               | 4,000     | 20,000         | 120,000     | 370x350x200      | 5.6                        | 7                | -                  | RZ           |                     |
| 0603 (Ceramic)                    | 5,000     | 30,000         | 150,000     | 395x220x235      | 6.5                        | 7                | -                  | -            |                     |
| 0603 (Ceramic)                    | 10,000    | 20,000         | 100,000     | 380x360x260      | 4.4                        | 13               | -                  | -            |                     |
| 0603-B                            | 4,000     | 20,000         | 120,000     | 370x350x200      | 5                          | 7                | -                  | R4           |                     |
| 0805 (Ceramic)                    | 5,000     | 30,000         | 150,000     | 395x220x235      | 7                          | 7                | -                  | -            |                     |
| 0805 (Ceramic)                    | 10,000    | 20,000         | 100,000     | 380x360x260      | 4.7                        | 13               | -                  | -            |                     |
| 1005                              | 4,000     | 20,000         | 120,000     | 370x350x200      | 6.4                        | 7                | -                  | RW           |                     |
| 1206 (Ceramic)                    | 5,000     | 30,000         | 150,000     | 395x220x235      | 7.5                        | 7                | -                  | -            |                     |
| 1206 (Ceramic)                    | 10,000    | 20,000         | 100,000     | 380x360x260      | 5.0                        | 13               | -                  | -            |                     |
| 2510P10                           | 3,000     | 18,000         | 108,000     | 385x270x217      | 5                          | 7                | -                  | -            |                     |
| DO34/DO35 (Glass Seal/Paper Reel) | 10,000    | 10,000         | 50,000      | 370x370x420      | 10.5                       | 14               | -                  | R0           |                     |
| DO-35 (DB3 Series)                | 5,000     | 10,000         | 50,000      | 560x295x410      | 12.5                       | 10               | -                  | RI           |                     |
| DO41 (Glass Seal/Paper Reel)      | 5,000     | 5,000          | 25,000      | 370x370x420      | 11.2                       | 14               | -                  | R0           |                     |
| DFN1006 (0402)                    | 5,000     | 30,000         | 180,000     | 385x270x217      | 4                          | 7                | -                  | -            |                     |
| MELF (Glass Seal)                 | 5,000     | 10,000         | 50,000      | 360x360x290      | 13                         | 13               | -                  | LO           |                     |
| MELF (Plastic)                    | 5,000     | 10,000         | 50,000      | 360x360x290      | 13                         | 13               | -                  | LO           |                     |
| Mini MELF (Glass Seal)            | 10,000    | 20,000         | 60,000      | 365x365x180      | 5.7                        | 13               | -                  | LO           |                     |
| Mini MELF (Glass Seal)            | 2,500     | 15,000         | 90,000      | 385x270x217      | 6.2                        | 7                | -                  | L1           |                     |
| Mini MELF (LLDB3 series)          | 2,500     | 15,000         | 50,000      | 385x270x217      | 6.2                        | 7                | -                  | L1           |                     |
| Quadro Mini MELF (Glass Seal)     | 10,000    | 20,000         | 60,000      | 365x365x180      | 5.7                        | 13               | -                  | LO           |                     |
| Quadro Mini MELF (Glass Seal)     | 2,500     | 15,000         | 90,000      | 385x270x217      | 6.2                        | 7                | -                  | L1           |                     |
| MSOP-08                           | 1,000     | 5,000          | 30,000      | 385x270x217      | 4.5                        | 7                | -                  | -            |                     |
| MSOP-10                           | 1,000     | 5,000          | 30,000      | 385x270x217      | 4.5                        | 7                | -                  | -            |                     |
| SOD-123                           | 3,000     | 45,000         | 180,000     | 420x420x220      | 8                          | 7                | -                  | RH           |                     |
| SOD-123                           | 3,000     | 45,000         | 180,000     | 440x440x230      | 9                          | 7                | -                  | RF           |                     |
| SOD-123                           | 3,000     | 45,000         | 180,000     | 440x440x230      | 8.2                        | 7                | -                  | RB           |                     |
| SOD-123                           | 3,000     | 45,000         | 180,000     | 438x438x220      | 9                          | 7                | -                  | RP           |                     |
| SOD-123F                          | 3,000     | 18,000         | 108,000     | 385x270x217      | 4.5                        | 7                | -                  | RH           |                     |
| SOD-123FL                         | 2,500     | 5,000          | 50,000      | 443x215x205      | 5                          | 7                | -                  | RH           |                     |

| Outline (Package)                     | Reel (pc) | Inner Box (pc) | Carton (pc) | Carton Size (mm) | Gross Weight (kg / Carton) | Reel Size (inch) | AEC-Q101 Qualified | Packing Code | Green Compound Code |
|---------------------------------------|-----------|----------------|-------------|------------------|----------------------------|------------------|--------------------|--------------|---------------------|
| SOD-123FL                             | 3,000     | 18,000         | 108,000     | 385x270x217      | -                          | 7                | -                  | RF           | Suffix "G"          |
| SOD323                                | 3,000     | 45,000         | 180,000     | 420x420x220      | 8                          | 7                | -                  | RR           |                     |
| SOD-323                               | 3,000     | 45,000         | 180,000     | 430x430x230      | 7.32                       | 7                | -                  | RV           |                     |
| SOD-323                               | 3,000     | 45,000         | 180,000     | 438x438x220      | 9                          | 7                | -                  | RQ           |                     |
| SOD-323F                              | 3,000     | 18,000         | 108,000     | 385x270x217      | 4.5                        | 7                | -                  | RR           |                     |
| SOD-323F                              | 10,000    | 20,000         | 100,000     | 358x358x290      | 7.27                       | 13               | -                  | R9           |                     |
| SOD-323HE                             | 3,000     | 18,000         | 108,000     | 385x270x217      | -                          | 7                | -                  | RN           |                     |
| SOD-523F                              | 8,000     | 48,000         | 288,000     | 385x270x217      | 7.1                        | 7                | -                  | RJ           |                     |
| SOD-523F                              | 3,000     | 18,000         | 108,000     | 385x270x217      | 5                          | 7                | -                  | RK           |                     |
| SOD-523F                              | 8,000     | 120,000        | 480,000     | 438x438x220      | 8                          | 7                | -                  | RS           |                     |
| SOD723F                               | 5,000     | 40,000         | 200,000     | 545x202x202      | 4.3                        | 7                | -                  | RL           |                     |
| SOD923F                               | 8,000     | 120,000        | 480,000     | 438x438x220      | 10                         | 7                | -                  | RT           |                     |
| SOT143                                | 3,000     | 18,000         | 108,000     | 385x270x217      | 5                          | 7                | -                  | -            |                     |
| SOT-143                               | 3,000     | 45,000         | 180,000     | 438x438x220      | 8                          | 7                | -                  | RS           |                     |
| SOT-23                                | 3,000     | 18,000         | 108,000     | 385x270x217      | 5                          | 7                | -                  | RF           |                     |
| SOT-23                                | 10,000    | 30,000         | 150,000     | 360x355x233      | 7.6                        | 13               | -                  | R5           |                     |
| SOT-23                                | 3,000     | 45,000         | 180,000     | 438x438x220      | 9                          | 7                | -                  | RU           |                     |
| SOT-25                                | 3,000     | 18,000         | 108,000     | 385x270x217      | 5                          | 7                | -                  | -            |                     |
| SOT-26                                | 3,000     | 18,000         | 108,000     | 385x270x217      | 5                          | 7                | -                  | RF           |                     |
| SOT-26                                | 3,000     | 45,000         | 180,000     | 438x438x220      | 8                          | 7                | -                  | RP           |                     |
| SOT323                                | 3,000     | 18,000         | 108,000     | 385x270x217      | 5                          | 7                | -                  | RF           |                     |
| SOT-323                               | 3,000     | 45,000         | 180,000     | 438x438x220      | 9                          | 7                | -                  | RV           |                     |
| SOT-363                               | 3,000     | 45,000         | 180,000     | 438x438x220      | 9                          | 7                | -                  | RE           |                     |
| SOT-363                               | 3,000     | 18,000         | 108,000     | 385x270x217      | 5                          | 7                | -                  | RF           |                     |
| SOT-523                               | 3,000     | 45,000         | 180,000     | 438x438x220      | 9                          | 7                | -                  | RS           |                     |
| SOT-553                               | 3,000     | 45,000         | 180,000     | 438x438x220      | 8                          | 7                | -                  | RS           |                     |
| SOT-563                               | 3,000     | 45,000         | 180,000     | 438x438x220      | 8                          | 7                | -                  | RS           |                     |
| SOT723                                | 8,000     | 120,000        | 480,000     | 525x375x270      | 10                         | 7                | -                  | RM           |                     |
| SOT-89                                | 1,000     | 10,000         | 40,000      | 438x438x220      | 10                         | 7                | -                  | RM           |                     |
| SOT-89-3L                             | 1,000     | 10,000         | 40,000      | 438x438x220      | 10                         | 7                | -                  | R2           |                     |
| SOT-923                               | 8,000     | 120,000        | 480,000     | 438x438x220      | 8                          | 7                | -                  | RT           |                     |
| WBFBP-02C                             | 10,000    | 150,000        | 600,000     | 438x438x220      | 6                          | 7                | -                  | R1           |                     |
| DFNWB2.5*1.0-10L-B                    | 3,000     | 45,000         | 180,000     | 438x438x220      | 6                          | 7                | -                  | RP           |                     |
| TMB                                   | 5,000     | 10,000         | 50,000      | 400x370x295      | 8                          | 13               | -                  | R7           |                     |
| TS-1 (52MM Taping)                    | 5,000     | -              | 20,000      | 340x340x343      | 7.1                        | 13               | Prefix "H"         | R0           |                     |
| A-405 (52MM Taping)                   | 5,000     | -              | 20,000      | 340x340x343      | 7.7                        | 13               | -                  | R0           |                     |
| DO-41 (52MM Taping)                   | 5,000     | -              | 20,000      | 340x340x343      | 10                         | 13               | Prefix "H"         | R0           |                     |
| DO-41 (52MM Taping) Reverse direction | 5,000     | -              | 20,000      | 340x340x343      | 10                         | 13               | Prefix "H"         | R1           |                     |
| DO-15                                 | 3,500     | -              | 14,000      | 340x340x343      | 8.7                        | 13               | Prefix "H"         | R0           |                     |
| DO-201                                | 1,250     | -              | 5,000       | 340x340x343      | 7.7                        | 13               | Prefix "H"         | R0           |                     |
| DO-201AD                              | 1,250     | -              | 5,000       | 340x340x343      | 8.8                        | 13               | Prefix "H"         | R0           |                     |
| R-6                                   | 1,000     | -              | 4,000       | 340x340x343      | 9.5                        | 13               | Prefix "H"         | R0           |                     |
| P2500                                 | 800       | -              | 3,200       | 340x340x343      | 10.46                      | 13               | -                  | R0           |                     |
| Mirco SMA(8mm tape) Plastic Reel      | 3,000     | 18,000         | 90,000      | 397x216x230      | 4.3                        | 7                | Prefix "H"         | RS           |                     |
| Sub SMA (8mm tape) Plastic Reel       | 1,800     | 7,200          | 36,000      | 385x204x185      | 4                          | 7                | Prefix "H"         | RU           |                     |
| Sub SMA (8mm tape) Plastic Reel       | 3,000     | 12,000         | 60,000      | 385x204x185      | 4.5                        | 7                | Prefix "H"         | RV           |                     |
| Sub SMA (8mm tape) Paper Reel         | 7,500     | 15,000         | 75,000      | 360x360x190      | 7                          | 13               | Prefix "H"         | RT           |                     |

## PACKING CODE LIST OF TSC

| Outline (Package)                       | Reel (pc) | Inner Box (pc) | Carton (pc) | Carton Size (mm) | Gross Weight (kg / Carton) | Reel Size (inch) | AEC-Q101 Qualified | Packing Code | Green Compound Code |
|---|-----------|----------------|-------------|------------------|----------------------------|------------------|--------------------|--------------|---------------------|
| Sub SMA (8mm tape) Plastic Reel         | 7,500     | 15,000         | 75,000      | 360x360x190      | 6.8                        | 13               | Prefix "H"         | MT           |                     |
| Sub SMA (8mm tape) Paper Reel           | 10,000    | 20,000         | 100,000     | 360x360x190      | 7.8                        | 13               | Prefix "H"         | RQ           |                     |
| Sub SMA (8mm tape) Plastic Reel         | 10,000    | 20,000         | 100,000     | 360x360x190      | 7.6                        | 13               | Prefix "H"         | MQ           |                     |
| Sub SMA (12mm tape) Plastic Reel        | 1,800     | 7,200          | 36,000      | 370x195x210      | 4.3                        | 7                | Prefix "H"         | R3           |                     |
| Sub SMA (12mm tape) Plastic Reel        | 3,000     | 12,000         | 60,000      | 370x195x210      | 4.8                        | 7                | Prefix "H"         | RF           |                     |
| Sub SMA (12mm tape) Paper Reel          | 7,500     | 15,000         | 75,000      | 345x240x220      | 7.6                        | 13               | Prefix "H"         | R2           |                     |
| Sub SMA (12mm tape) Plastic Reel        | 7,500     | 15,000         | 75,000      | 345x240x220      | 7.4                        | 13               | Prefix "H"         | M2           |                     |
| Sub SMA (12mm tape) Paper Reel          | 10,000    | 20,000         | 100,000     | 345x240x220      | 8.2                        | 13               | Prefix "H"         | RH           |                     |
| Sub SMA (12mm tape) Plastic Reel        | 10,000    | 20,000         | 100,000     | 345x240x220      | 8                          | 13               | Prefix "H"         | MH           |                     |
| SOD123HE (8mm tape) Plastic Reel        | 3,000     | 12,000         | 60,000      | 385x204x185      | 2.1                        | 7                | Prefix "H"         | RV           |                     |
| SOD123HE (8mm tape) Paper Reel          | 10,000    | 20,000         | 100,000     | 360x360x190      | 3.5                        | 13               | Prefix "H"         | RQ           |                     |
| SMAF (Paper Reel)                       | 5,000     | 10,000         | 40,000      | 310x310x360      | 5                          | 11               | -                  | R2           |                     |
| SMAF (Plastic Reel)                     | 3,000     | 45,000         | 180,000     | 440x440x230      | 9                          | 7                | -                  | R3           |                     |
| SMA (Plastic Reel)                      | 1,800     | 7,200          | 36,000      | 370x195x210      | 6                          | 7                | Prefix "H"         | R3           |                     |
| SMA (Plastic Reel)                      | 7,500     | 15,000         | 75,000      | 345x340x220      | 5.8                        | 13               | Prefix "H"         | M2           |                     |
| SMA (Paper Reel)                        | 7,500     | 15,000         | 75,000      | 345x340x220      | 11.1                       | 13               | Prefix "H"         | R2           |                     |
| Folded SMA (Plastic Reel)               | 1,800     | 7,200          | 36,000      | 370x195x210      | 6                          | 7                | Prefix "H"         | F3           |                     |
| Folded SMA (Paper Reel)                 | 7,500     | 15,000         | 75,000      | 360x360x220      | 11.1                       | 13               | Prefix "H"         | F2           |                     |
| Folded SMA (Plastic Reel)               | 7,500     | 15,000         | 75,000      | 360x360x220      | 10.9                       | 13               | Prefix "H"         | F4           |                     |
| C-SMA (Plastic Reel)                    | 1,800     | 7,200          | 36,000      | 370x195x210      | 6                          | 7                | -                  | E3           |                     |
| C-SMA (Plastic Reel)                    | 7,500     | 15,000         | 75,000      | 345x340x225      | 11.1                       | 13               | -                  | E2           |                     |
| SMB (Plastic Reel)                      | 850       | 3,400          | 17,000      | 370x195x210      | 5                          | 7                | Prefix "H"         | R5           |                     |
| SMB (Paper Reel)                        | 3,000     | 6,000          | 30,000      | 345x340x220      | 8.4                        | 13               | Prefix "H"         | R4           |                     |
| SMB (Plastic Reel)                      | 3,000     | 6,000          | 30,000      | 345x340x220      | 8.2                        | 13               | Prefix "H"         | M4           |                     |
| SMC (Plastic Reel)                      | 850       | 3,400          | 17,000      | 385x204x200      | 7.5                        | 7                | Prefix "H"         | R7           |                     |
| SMC (Paper Reel)                        | 3,000     | 6,000          | 30,000      | 360x360x230      | 13.4                       | 13               | Prefix "H"         | R6           |                     |
| SMC (Plastic Reel)                      | 3,000     | 6,000          | 30,000      | 360x360x230      | 13.2                       | 13               | Prefix "H"         | M6           |                     |
| D <sup>2</sup> PAK (Paper Reel)         | 800       | 800            | 6,400       | 350x340x350      | 14.5                       | 13               | Prefix "H"         | RN           |                     |
| ABS Plastic Reel                        | 1,000     | 4,000          | 20,000      | 370x195x210      | 6                          | 7                | -                  | RE           |                     |
| ABS (Paper Reel)                        | 5,000     | 10,000         | 50,000      | 345x340x220      | 13                         | 13               | -                  | RG           |                     |
| MBS (Paper Reel)                        | 3,000     | 6,000          | 48,000      | 340x340x338      | 17.7                       | 13               | -                  | RC           |                     |
| DBLS (Paper Reel)                       | 1,500     | 3,000          | 21,000      | 340x340x343      | 16.6                       | 13               | -                  | RD           |                     |
| SMPC4.0 / SMPC (TO-277A) (Plastic Reel) | 1,500     | 6,000          | 30,000      | 370x195x210      | 6.4                        | 7                | -                  | S1           |                     |
| SMPC4.0/ SMPC (TO-277A) (Paper Reel)    | 6,000     | 12,000         | 60,000      | 345x340x225      | 12.7                       | 13               | -                  | S2           |                     |
| PDFN56 (Plastic Reel)                   | 1,500     | 6,000          | 30,000      | 370x195x210      | 6.4                        | 7                | -                  | S3           |                     |
| PDFN56 (Plastic Reel)                   | 6,000     | 12,000         | 60,000      | 345x340x225      | 12.7                       | 13               | -                  | S4           |                     |
| TSSOP-8                                 | 3,000     | 6,000          | 30,000      | 383x360x300      | 9                          | 13               | -                  | RV           | -                   |
| SOP-8                                   | 2,500     | 5,000          | 25,000      | 360x355x270      | 7.6                        | 13               | -                  | RL           | -                   |
| SOP-14                                  | 2,500     | 5,000          | 25,000      | 390x380x305      | 7.9                        | 13               | -                  | RL           | -                   |
| SOP-16                                  | 2,500     | 5,000          | 25,000      | 390x380x305      | 7.9                        | 13               | -                  | RL           | -                   |
| TO-252                                  | 2,500     | 5,000          | 25,000      | 370x370x290      | 13.2                       | 13               | -                  | RO           | -                   |
| SOT-223                                 | 2,500     | 5,000          | 25,000      | 390x370x290      | 8.6                        | 13               | -                  | RP           | -                   |
| TO-263                                  | 800       | 800            | 4,000       | 390x360x280      | 10                         | 13               | -                  | RN           | -                   |
| TO-263-5L                               | 800       | 800            | 4,000       | 390x360x280      | 10                         | 13               | -                  | RN           | -                   |
| SOT-353                                 | 3,000     | 12,000         | 144,000     | 383x296x208      | 5                          | 7                | -                  | RF           | -                   |
| TDFN 2*2                                | 3,000     | 12,000         | 144,000     | 485x410x355      | 10                         | 7                | -                  | RF           | -                   |
| PDFN33                                  | 3,000     | 12,000         | 144,000     | 475x400x200      | 18                         | 7                | -                  | RF           | -                   |

Suffix "G"

## PACKING CODE LIST OF TSC

| Outline (Package) | Reel (pc) | Inner Box (pc) | Carton (pc) | Carton Size (mm) | Gross Weight (kg / Carton) | Reel Size (inch) | AEC-Q101 Qualified | Packing Code | Green Compound Code |
|-------------------|-----------|----------------|-------------|------------------|----------------------------|------------------|--------------------|--------------|---------------------|
| PDFN33            | 10,000    | 20,000         | 100,000     | 475x400x200      | 18                         | 13               | -                  | RK           | -                   |
| SOT-23            | 3,000     | 12,000         | 144,000     | 380x320x390      | 9.5                        | 7                | -                  | RF           | -                   |
| SOT-23            | 10,000    | 20,000         | 100,000     | 380x320x390      | 9.5                        | 8                | -                  | RK           | -                   |
| SOT-25            | 3,000     | 12,000         | 144,000     | 380x320x390      | 9.5                        | 7                | -                  | RF           | -                   |
| SOT-26            | 3,000     | 12,000         | 144,000     | 380x320x390      | 9.5                        | 7                | -                  | RF           | -                   |
| SOT-89            | 1,000     | 4,000          | 48,000      | 390x290x380      | 8.5                        | 7                | -                  | RM           | -                   |
| SOT-89-5L         | 1,000     | 4,000          | 48,000      | 390x290x380      | 8.5                        | 7                | -                  | RM           | -                   |

### AMMO BOX PACKING

| Outline (Package)                            | Inner Box (pc) | Carton (pc) | Carton Size (mm) | Gross Weight (kg / Carton) | Inner Pack | AEC-Q101 Qualified | Packing Code | Green Compound Code |
|--|----------------|-------------|------------------|----------------------------|------------|--------------------|--------------|---------------------|
| DO34 (Glass Seal)                            | 5,000          | 50,000      | 400x265x195      | 7.05                       | Paper box  | -                  | A0           |                     |
| DO35 (Glass Seal)                            | 5,000          | 50,000      | 400x265x195      | 14                         | Paper box  | -                  | A0           |                     |
| DO41 (Glass Seal)                            | 3,000          | 30,000      | 400x265x195      | 19.6                       | Paper box  | -                  | A0           |                     |
| DO-41 (26mm Taping)                          | 3,000          | 60,000      | 580x275x225      | 20.8                       | Paper box  | -                  | A1           |                     |
| DO-41 (52mm Taping)                          | 3,000          | 30,000      | 395x255x227      | 13.1                       | Paper box  | -                  | A0           |                     |
| DO-34 (Glass Seal) 26mm                      | 5,000          | 50,000      | 270x270x225      | 5.2                        | Paper box  | -                  | A2           |                     |
| TO-92  | 4,000          | 20,000      | 360x355x233      | 6.9                        | Paper box  | -                  | A1           |                     |
| TO-92  | 2,000          | 20,000      | 505x405x240      | 7                          | Paper box  | -                  | A2           |                     |
| TO-92S                                       | 3,000          | 30,000      | 505x405x240      | 8                          | Paper box  | -                  | A3           |                     |
| A-405 Panasert/Cathode Up, Cathode First Out | 2,000          | 24,000      | 340x340x343      | 10.4                       | Paper box  | -                  | P0           |                     |
| A-405 Panasert/Cathode Up, Anode First Out   | 2,000          | 24,000      | 340x340x343      | 10.4                       | Paper box  | -                  | P1           |                     |
| TS-1 (26mm Taping)                           | 3,000          | 60,000      | 580x275x225      | 12.6                       | Paper box  | Prefix "H"         | A1           |                     |
| TS-1 (52mm Taping)                           | 3,000          | 30,000      | 395x255x227      | 9.7                        | Paper box  | Prefix "H"         | A0           |                     |
| A-405 (52mm Taping)                          | 3,000          | 30,000      | 395x255x227      | 10.6                       | Paper box  | Prefix "H"         | A0           |                     |
| DO-41 (52mm Taping)                          | 3,000          | 30,000      | 395x255x227      | 13.1                       | Paper box  | Prefix "H"         | A0           |                     |
| DO-15 (52mm Taping)                          | 1,500          | 15,000      | 395x255x205      | 8.8                        | Paper box  |                    | A0           |                     |
| DO-201AD (52mm Taping)                       | 500            | 10,000      | 398x258x305      | 16.2                       | Paper box  |                    | A0           |                     |
| R-6 (52MM Taping)                            | 700            | 3,500       | 425x275x185      | 7.45                       | Paper box  |                    | A0           |                     |
| P2500  | 500            | 2,500       | 425x275x185      | 8.05                       | Paper box  | -                  | A0           |                     |
| TO-92  | 2,000          | 20,000      | 460x340x175      | 7.4                        | Paper box  | -                  | A3           |                     |

Suffix "G"

Remark :

1. All the dimensions and weights mentioned above are described for your reference only; The actual measurement is subject to final confirmation.

## PACKING CODE LIST OF TSC

## PACKING CODE LIST OF TSC

### BULK PACKING

| Outline (Package)                 | Box (pc) | Carton (pc) | Carton Size (mm) | Gross Weight (kg / Carton) | Inner Pack  | AEC-Q101 Qualified | Packing Code | Green Compound Code |
|-----------------------------------|----------|-------------|------------------|----------------------------|-------------|--------------------|--------------|---------------------|
| TO-92                             | 5,000    | 50,000      | 585x190x180      | 11.0                       | Paper box   | -                  | B1           | Suffix "G"          |
| TO-92                             | 10,000   | 100,000     | 525x375x270      | 24                         | Paper box   | -                  | B2           |                     |
| TO-92S                            | 10,000   | 100,000     | 525x375x270      | 20                         | Paper box   | -                  | B3           |                     |
| TO-92 (1,000pcs/bag)              | 10,000   | 100,000     | 520*360*245      | 24                         | Plastic bag | -                  | B0           |                     |
| TO-126 (250pcs/bag)               | 2,500    | 25,000      | 520*370*270      | 18                         | Plastic bag | -                  | B0           |                     |
| A-405                             | 1,000    | 50,000      | 445x215x255      | 14                         | Paper box   | -                  | B0           |                     |
| TS-1                              | 1,000    | 50,000      | 445x215x255      | 12.5                       | Paper box   | Prefix "H"         | B0           |                     |
| DO-15                             | 1,000    | 40,000      | 445x215x255      | 18                         | Paper box   | Prefix "H"         | B0           |                     |
| DO-41                             | 1,000    | 50,000      | 445x215x255      | 13.1                       | Paper box   | Prefix "H"         | B0           |                     |
| DO-201                            | 500      | 15,000      | 400x313x265      | 17                         | Paper box   | Prefix "H"         | B0           |                     |
| DO-201AD                          | 500      | 15,000      | 400x313x265      | 20.8                       | Paper box   | Prefix "H"         | B0           |                     |
| DO-201AD Forming                  | 500      | 15,000      | 395x255x227      | 17.2                       | Paper box   | Prefix "H"         | X0           |                     |
| R-6                               | 400      | 12,000      | 400x313x265      | 23.1                       | Paper box   | Prefix "H"         | B0           |                     |
| AR                                | 1000     | 10,000      | 307X185X255      | 20.25                      | Plactic bag | -                  | B0           |                     |
| ARS                               | 1000     | 10,000      | 307X185X255      | 18.2                       | Plactic bag | -                  | B0           |                     |
| TO-220AB(50pcs/Tube) Manual       | 2,000    | 4,000       | 565x175x185      | 11.6                       | Tube        | Prefix "H"         | D0           |                     |
| TO-220AC(50pcs/Tube) Manual       | 2,000    | 4,000       | 565x175x185      | 11.6                       | Tube        | Prefix "H"         | D0           |                     |
| TO-220AB(50pcs/Tube) Automatic    | 2,000    | 4,000       | 565x175x185      | 11.6                       | Tube        | Prefix "H"         | C0           |                     |
| TO-220AC(50pcs/Tube) Automatic    | 2,000    | 4,000       | 565x175x185      | 11.6                       | Tube        | Prefix "H"         | C0           |                     |
| TO-220ABC(50pcs/Tube)             | 2,000    | 4,000       | 565x175x185      | 11.65                      | Tube        | Prefix "H"         | C0           |                     |
| TO-3P/TO-247AD(30pcs/Tube)        | 900      | 1,800       | 535x146x230      | 15.2                       | Tube        | Prefix "H"         | C0           |                     |
| ITO-220AB(50 pcs/Tube) Manual     | 2,000    | 4,000       | 565x175x185      | 11.5                       | Tube        | Prefix "H"         | D0           |                     |
| ITO-220PB(50 pcs/Tube)            | 2,000    | 8,000       | 585x308x175      | 19.9                       | Tube        | Prefix "H"         | CA           |                     |
| ITO-220PB(50pcs/Tube)             | 2,000    | 4,000       | 565x175x185      | 10.85                      | Tube        | Prefix "H"         | C0           |                     |
| ITO-220AC(50 pcs/Tube) Manual     | 2,000    | 4,000       | 565x175x185      | 11.5                       | Tube        | Prefix "H"         | D0           |                     |
| ITO-220AB(50 pcs/Tube) Automatic  | 2,000    | 4,000       | 565x175x185      | 11.5                       | Tube        | Prefix "H"         | C0           |                     |
| ITO-220AC(50 pcs/Tube) Automatic  | 2,000    | 4,000       | 565x175x185      | 11.5                       | Tube        | Prefix "H"         | C0           |                     |
| I <sup>2</sup> PAK(50 pcs / Tube) | 3,000    | 6,000       | 565x175x185      | 7.8                        | Tube        | -                  | C0           |                     |
| D3K                               | 1,500    | 6,000       | 390x270x200      | 15.8                       | Tube        | -                  | C2           |                     |
| DBL(50pcs/Tube)                   | 5,000    | 20,000      | 467x335x315      | 18.8                       | Tube        | -                  | C1           |                     |
| DBLS(50pcs/Tube)                  | 10,000   | 40,000      | 467x335x315      | 28.2                       | Tube        | -                  | C1           |                     |
| GBL(25 pcs/Tube)                  | 1,200    | 2,400       | 565x175x185      | 10.2                       | Tube        | -                  | C2           |                     |
| GBL(25 pcs/Tube) Forming E1       | 1,000    | 2,000       | 540X165X210      | 9.1                        | Tube        | -                  | X0           |                     |
| GBL(25 pcs/Tube)                  | 1,200    | 2,400       | 565x175x185      | 10.2                       | Tube        | -                  | D2           |                     |
| GBL Forming E1                    | 1,000    | 2,000       | 540X165X210      | 9.1                        | Tube        | -                  | X0           |                     |
| GBU (20 pcs / Tube)               | 1,000    | 2,000       | 496x185x240      | 13.6                       | Tube        | -                  | C2           |                     |
| GBU (20 pcs / Tube) Forming       | 1,000    | 2,000       | 496x185x240      | 12.6                       | Tube        | -                  | X0           |                     |
| GBU (20 pcs / Tube)               | 1,000    | 2,000       | 496x185x240      | 13.6                       | Tube        | -                  | D2           |                     |
| GBU Forming V1                    | 1,000    | 2,000       | 496x185x240      | 12.6                       | Tube        | -                  | X0           |                     |
| KBL(GPP)                          | 1,000    | 2,000       | 310x300x275      | 14.2                       | Tray        | -                  | T0           |                     |
| KBP(25pcs/Tube)                   | 1,000    | 4,000       | 405X290X175      | 11.5                       | Tube        | -                  | C2           |                     |
| KBP(25pcs/Tube) Forming A         | 1,000    | 4,000       | 405X290X175      | 12.2                       | Tube        | -                  | X0           |                     |
| KBP Forming N                     | 500      | 5,000       | 342X250X150      | 9.8                        | Paper box   | -                  | X0           |                     |
| KBP(25pcs/Tube) Cutting           | 1,500    | 6,000       | 405X290X175      | 13.8                       | Tray        | -                  | X0           |                     |
| KBU(GPP)4A,6A/8A,10A              | 500      | 2,000       | 345x340x225      | 17.5/19.1                  | Tray        | -                  | T0           |                     |

| Outline (Package)            | Box (pc) | Carton (pc) | Carton Size (mm) | Gross Weight (kg / Carton) | Inner Pack | AEC-Q101 Qualified | Packing Code | Green Compound Code |
|------------------------------|----------|-------------|------------------|----------------------------|------------|--------------------|--------------|---------------------|
| TS4K/KBJ(20pcs/Tube)         | 1,000    | 2,000       | 555x312x165      | 13.5                       | Tube       | -                  | D3           | Suffix "G"          |
| KBJL (20pcs/Tube)            | 1,000    | 2,000       | 555x312x165      | 11.2                       | Tube       | -                  | D3           |                     |
| TS4K/KBJ(20pcs/Tube) Forming | 1,000    | 2,000       | 555x312x165      | 12.4                       | Tube       | -                  | X0           |                     |
| TS4B(20pcs/Tube)             | 1,000    | 2,000       | 555x204x207      | 14                         | Tube       | -                  | C2           |                     |
| TS4B(20pcs/Tube) Forming     | 1,000    | 2,000       | 555x204x207      | 12.64                      | Tube       | -                  | X0           |                     |
| TS6P(15pcs/Tube)             | 1,200    | 1,200       | 490x180x170      | 12.8                       | Tube       | -                  | C2           |                     |
| TS6P(15pcs/Tube) Forming     | 1,200    | 1,200       | 490x180x170      | 13                         | Tube       | -                  | X0           |                     |
| TS4B(20pcs/Tube) Automatic   | 1,000    | 2,000       | 555x204x207      | 14                         | Tube       | -                  | D2           |                     |
| TS4B Automatic Forming C1 V2 | 1,000    | 2,000       | 555x204x207      | 12.64                      | Tube       | -                  | X0           |                     |
| TS6P(15pcs/Tube) Automatic   | 1,200    | 1,200       | 490x180x170      | 12.8                       | Tube       | -                  | D2           |                     |
| TS6P Automatic Forming C1    | 1,200    | 1,200       | 490x180x170      | 13                         | Tube       | -                  | X0           |                     |
| TS6P Automatic Forming L1    | 100      | 2,000       | 300x275x190      | 16.2                       | Paper box  | -                  | X0           |                     |
| GBPC-W(15A,25A,35A)          | 100      | 500         | 345X215X380      | 13.5                       | Tray       | -                  | T0           | -                   |
| GBPC                         | 100      | 500         | 345X215X380      | 11.8                       | Tray       | -                  | T0           | -                   |
| GBPC-M(15A,25A,35A)          | 100      | 500         | 345X215X380      | 14.5                       | Tray       | -                  | T0           | -                   |
| GBPC-M(40A,50A)              | 100      | 500         | 345X215X380      | 11.5                       | Tray       | -                  | T0           | -                   |
| KBJL                         | 240      | 2400        | 360x340x235      | 10.6                       | Tray       | -                  | T1           | -                   |

Remark :

1. All the dimensions and weights mentioned above are described for your reference only; The actual measurement is subject to final confirmation.



# AXIAL LEAD TAPING SPECIFICATIONS FOR RECTIFIERS

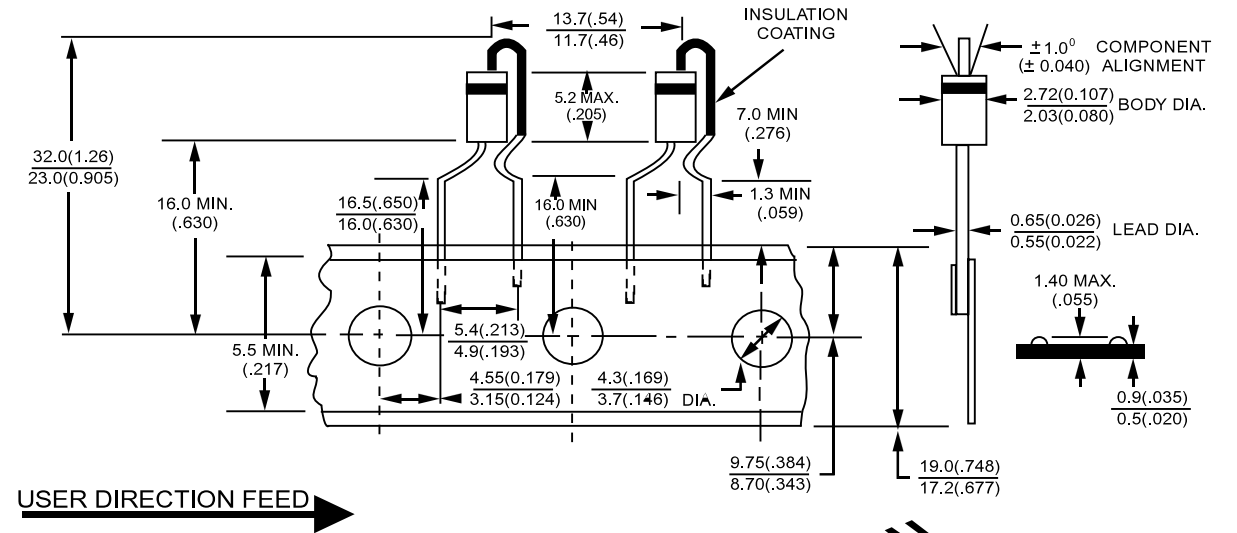
Axial lead devices are packed in accordance with EIA standard RS-296-D and specifications given below.

| COMPONENT OUTLINE     | COMPONENT PITCH A<br>+/-0.5mm (.020") | INNER TAPE PITCH B<br>+/-1.5mm (.59") | CUMULATIVE PITCH TOLERANCE |
|-----------------------|---------------------------------------|---------------------------------------|----------------------------|
| TS-1/A-405            | 0.5mm                                 | 26.0mm                                | 2.0mm/20pitch              |
| TS-1/A-405            | 0.5mm                                 | 52.4mm                                | 2.0mm/10pitch              |
| DO-41                 | 0.5mm                                 | 52.4mm                                | 2.0mm/10pitch              |
| DO-15                 | 0.5mm                                 | 52.4mm                                | 2.0mm/10pitch              |
| DO-201/DO-201AD/P2500 | 10.0mm                                | 52.4mm                                | 2.0mm/10pitch              |
| R-6                   | 10.0mm                                | 52.4mm                                | 2.0mm/10pitch              |
| DO-34/DO-35/DO-41     | 5.08mm±0.4                            | 26.0mm±0.5                            | 2.0mm/20pitch              |
| DO-34/DO-35/DO-41     | 5.08mm±0.4                            | 52.37mm±1.5                           | 2.0mm/10pitch              |

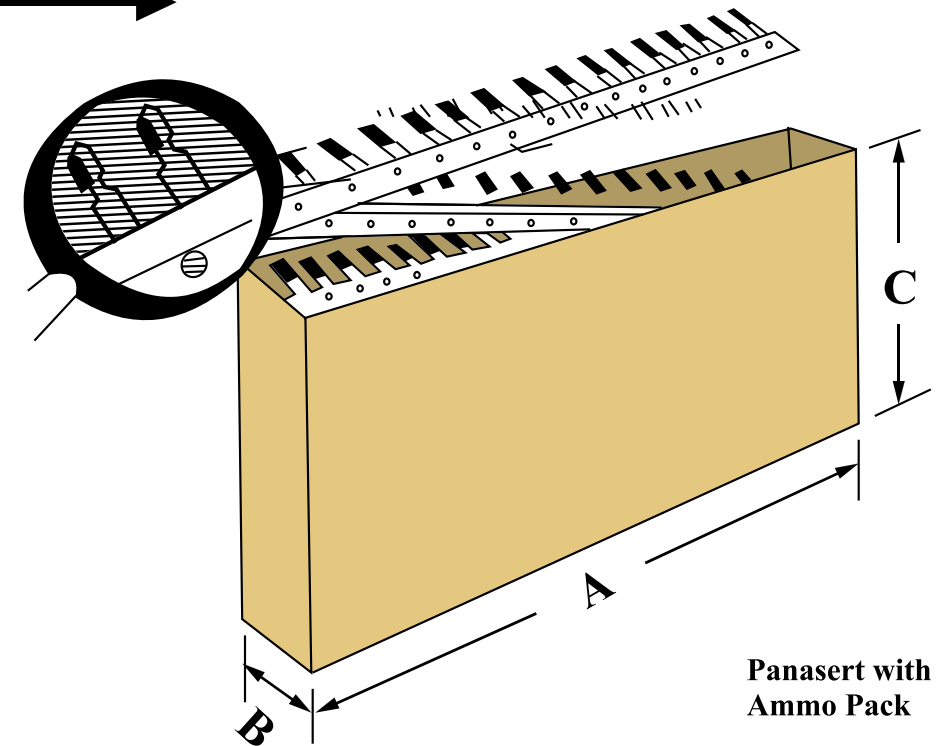
# RADIAL-TAPING SPECIFICATIONS FOR RECTIFIERS

(AVAILABLE FOR A-405 PACKAGE ONLY)

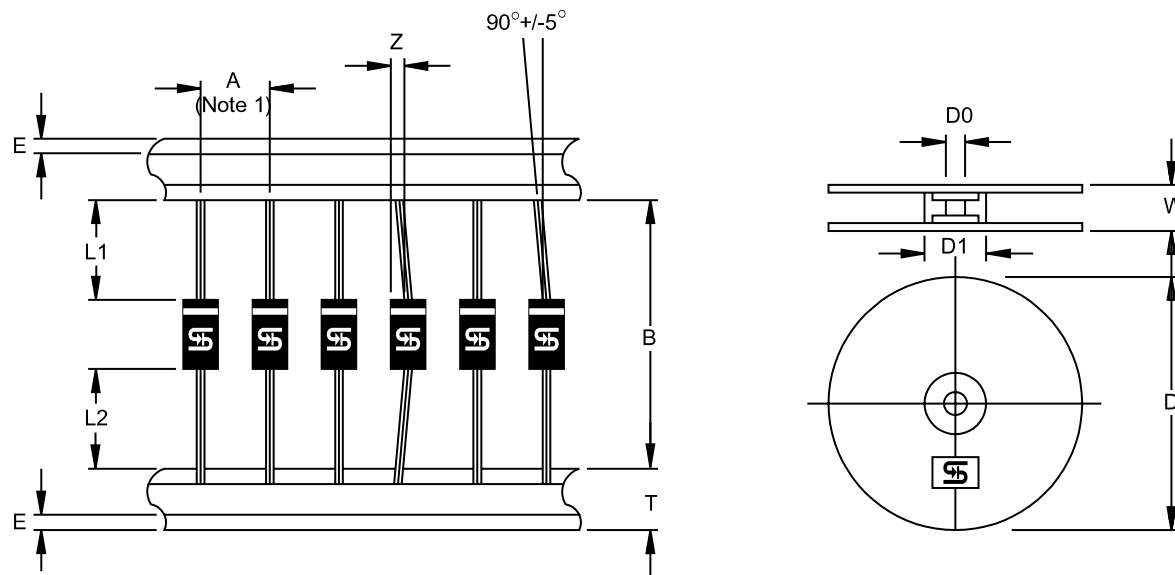
FIGURE PANASERT



USER DIRECTION FEED →



Panasert with Ammo Pack



| ITEM                  | SYMBOL | SPECIFICATIONS (m/m) | SPECIFICATIONS (inch) |
|-----------------------|--------|----------------------|-----------------------|
| Component alignment   | Z      | 1.2max               | 0.048max              |
| Tape width            | T      | 2.75~6.4             | 0.11~0.256            |
| Exposed adhesive      | E      | 0.8max               | 0.032max              |
| Body eccentricity     | L1-L2  | ±1.2                 | ±0.048                |
| Reel outides diameter | D      | 330~356              | 13.0~14.24            |
| Reel inner diameter   | D1     | 84~87                | 3.36~3.48             |
| Reel hole diameter    | Do     | 16.2~30              | 0.648~1.2             |
| Reel width (Note 2)   | W      | 76.0±1.0             | 2.99±0.040            |

NOTE: 1.Each component lead shall be sandwiched between tapes for a minimum of 3.2mm(0.126")

2.The reel width "W" for 26mm taping is 50 ±1.0m/m (1.97"±0.03")

| Packaging                   | Available Product Outlines | Dimension "A" | Dimension "B" | Dimension "C" | Quantity Box |
|-----------------------------|----------------------------|---------------|---------------|---------------|--------------|
| Radial (Panasert) Ammo Pack | A-405                      | 12.9"(328mm)  | 1.7"(42mm)    | 7.9"(200mm)   | 2K           |

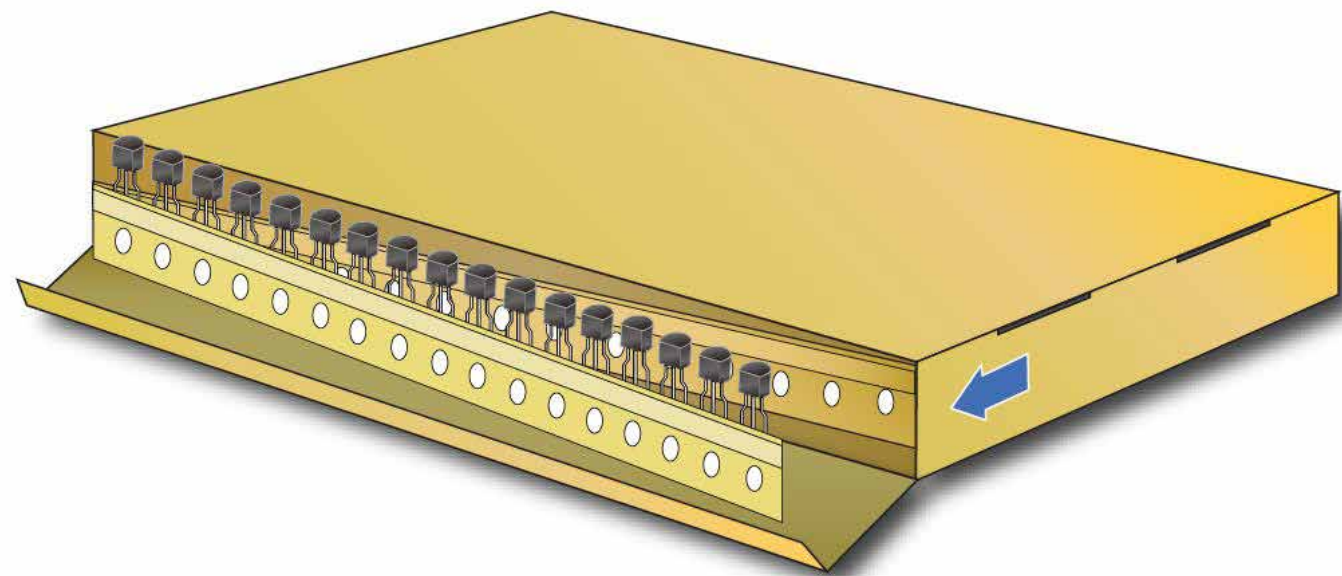
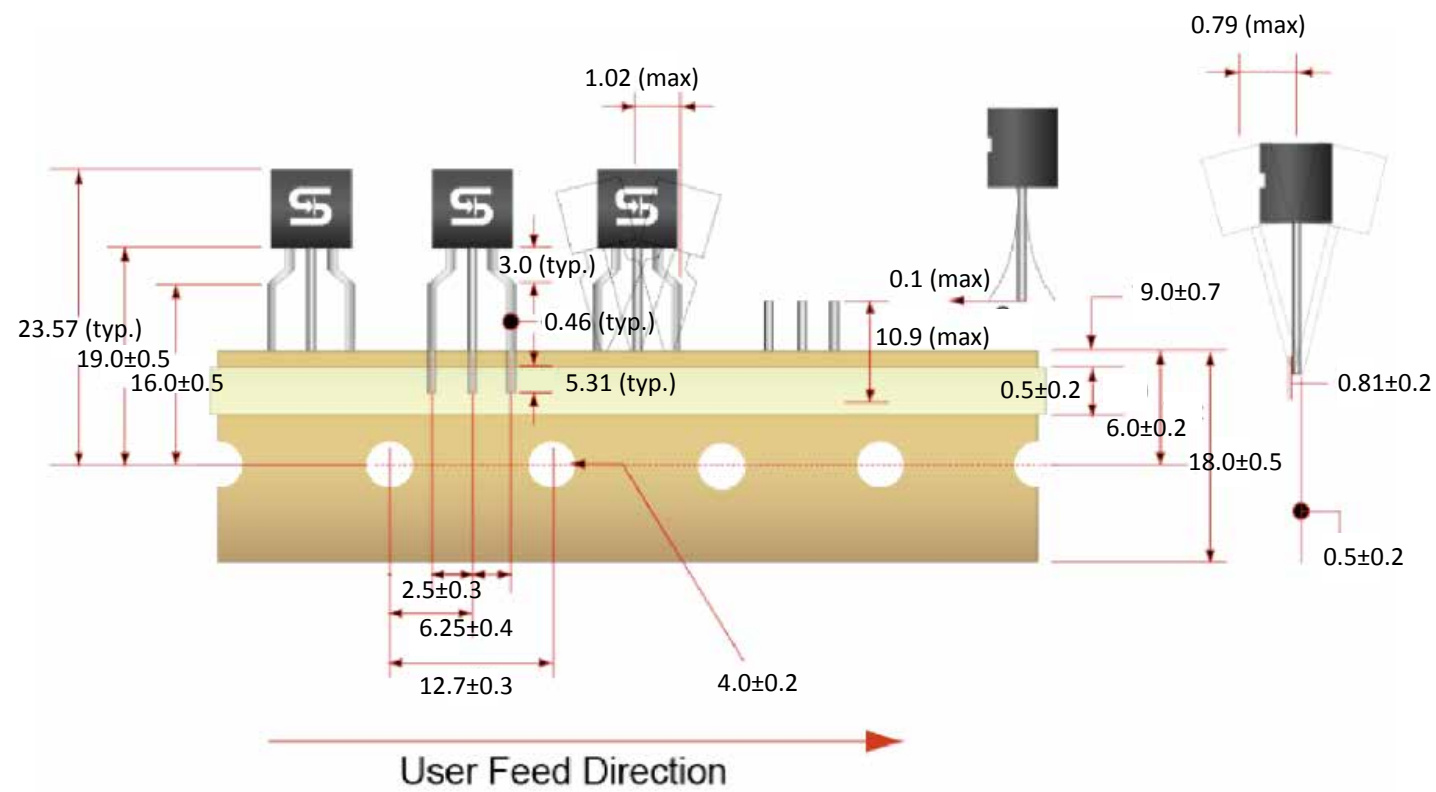
\* ALL DIMENSIONS IN MILLIMETERS AND (INCHES)

\* STANDARD POLARITY CATHODE ORIENTED AWAY FROM SPROCKET HOLES (OPTIONAL POLARITY CATHODE ORIENTED TOWARD SPROCKET HOLES)

PACKING METHOD CODE

P/N - AB A - N: PANASERT

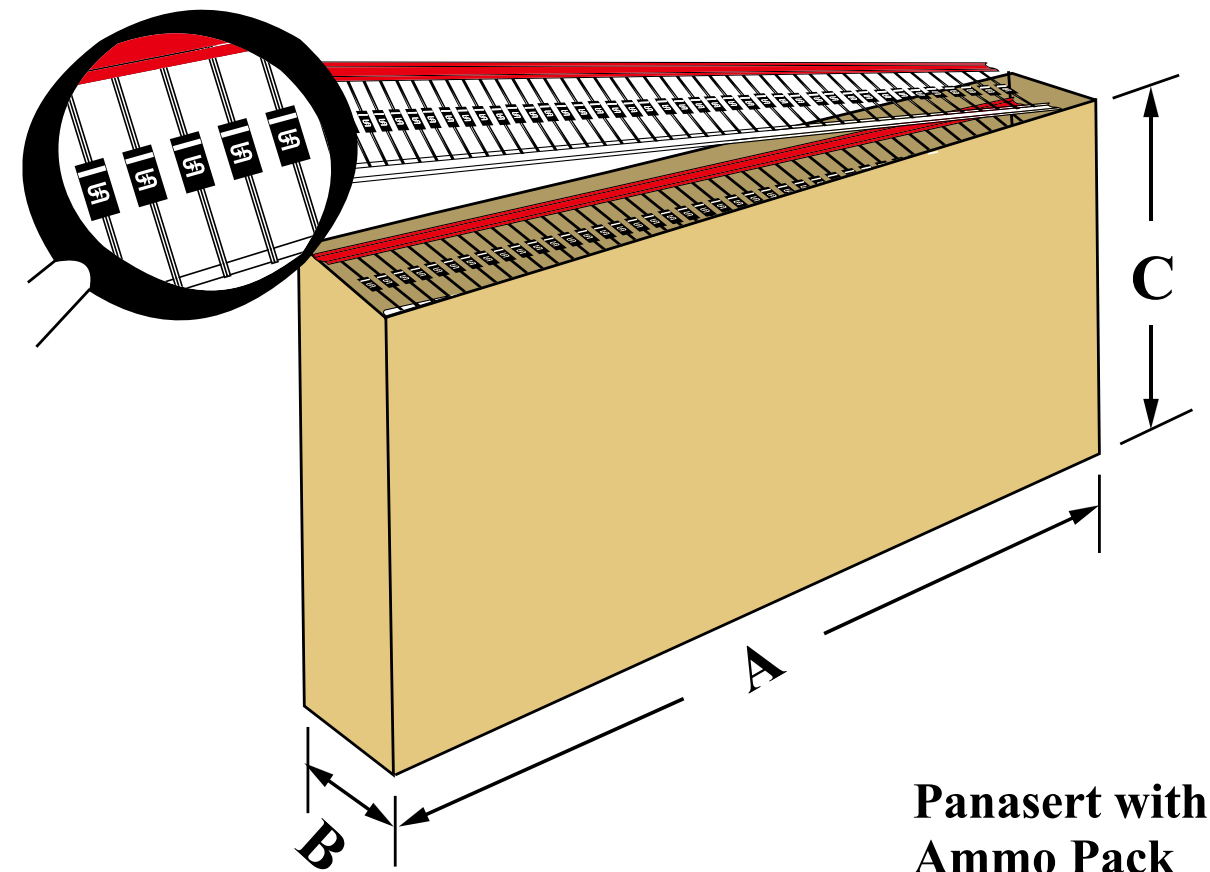
# AMMO PACK SPECIFICATIONS FOR TO-92



| Packaging | Dimension "A" | Dimension "B" | Dimension "C" | Quantity Box |
|-----------|---------------|---------------|---------------|--------------|
| TO-92     | 13.2"(330mm)  | 1.6"(40mm)    | 6.8"(170mm)   | 2K           |

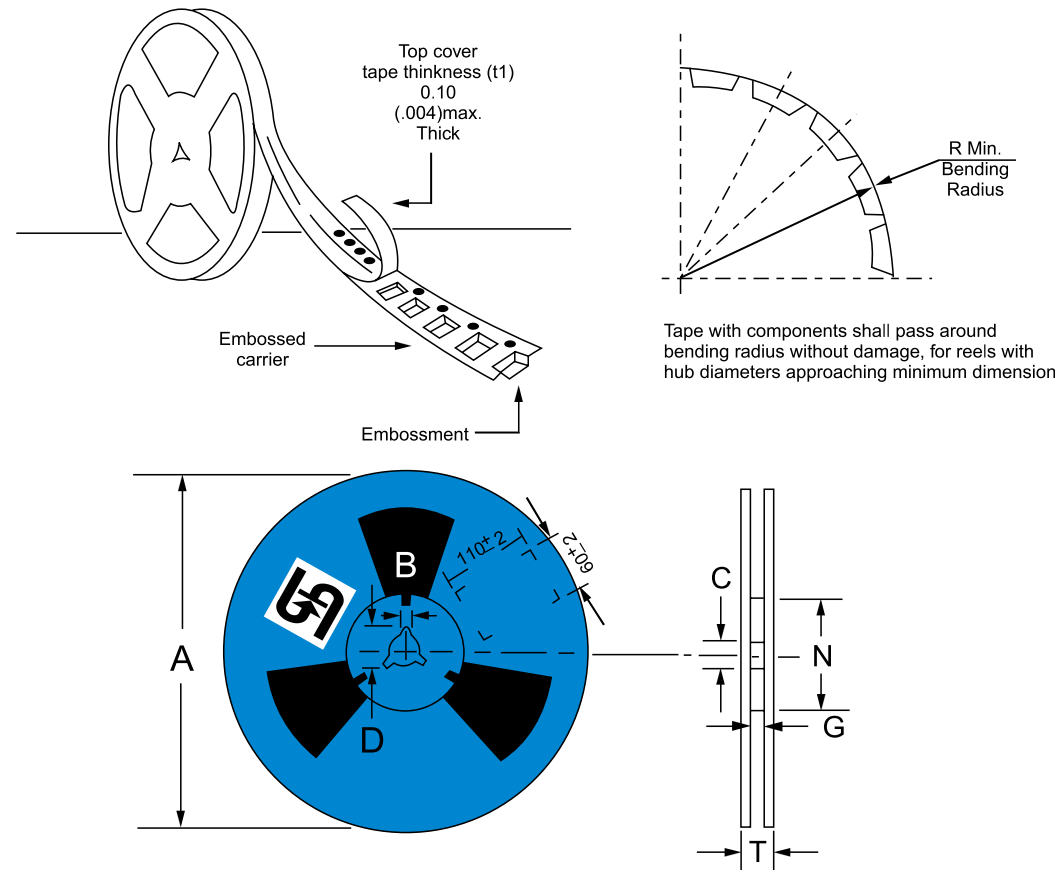
# AMMO BOX PACKAGING

| Packaging                 | Available Product Outlines | Dimension "A"              | Dimension "B"          | Dimension "C"           | Quantity Box |
|---------------------------|----------------------------|----------------------------|------------------------|-------------------------|--------------|
| 26mm Horizontal Ammo Pack | TS-1                       | 9.8"(250mm)                | 2.2"(55mm)             | 4.0"(102mm)             | 3K           |
|                           | A-405                      |                            |                        |                         |              |
| 52mm Horizontal Ammo Pack | TS-1, A-405, DO-41         | 10.0"-10.1"<br>(251-253mm) | 2.9"-3.0"<br>(73-76mm) | 2.6"-3.8"<br>(67-97mm)  | 3K           |
|                           | DO-15                      |                            |                        |                         | 1.5K         |
|                           | DO-201, DO-201AD P2500     |                            |                        |                         | 0.5K         |
| 26mm Horizontal Ammo Pack | DO-34(Glass Seal)          | 10.3"(258mm)               | 1.9"(49mm)             | 3.9"(99mm)              | 10K          |
|                           | DO-35(Glass Seal)          |                            |                        |                         | 5K           |
|                           | DO-41(Glass Seal)          |                            |                        |                         | 3K           |
| 52mm Horizontal Ammo Pack | DO-34(Glass Seal)          | 10.0"-10.4"<br>(250-260mm) | 3.0"-3.2"<br>(76-80mm) | 3.2"-4.8"<br>(80-122mm) | 10K          |
|                           | DO-35(Glass Seal)          |                            |                        |                         | 5K           |
|                           | DO-41(Glass Seal)          |                            |                        |                         | 3K           |



**Panasert with Ammo Pack**

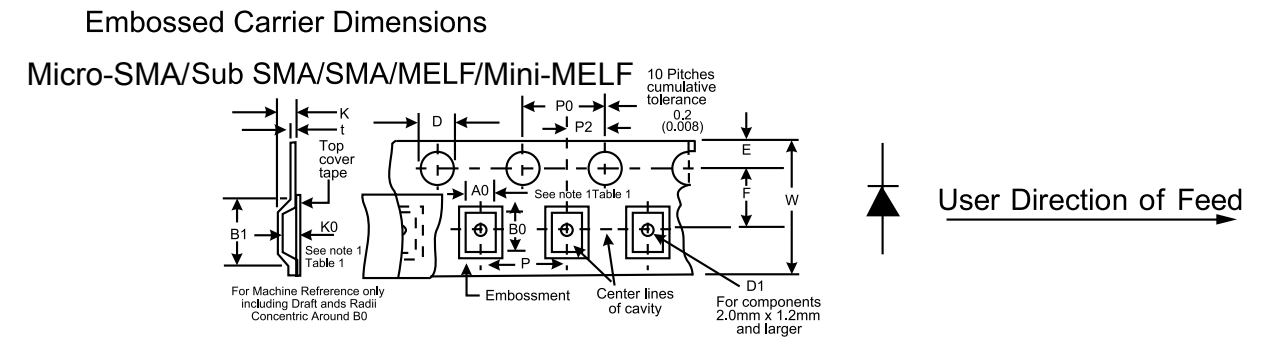
# SURFACE MOUNT PACKAGING (PACKED PER EIA/JEDEC STANDARD RS-481)



| Reel Size | Tape Size (mm) | Case                     | A (mm)            | B (mm)      | C (mm)        | D min  | N (mm)      | G (mm)      | T max      |
|-----------|----------------|--------------------------|-------------------|-------------|---------------|--------|-------------|-------------|------------|
| 7"        | 12             | SMAF                     | 178±2             | -           | 13±0.5        | -      | 8±0.2       | -           | 16.8±2.0   |
|           | 8              | Micro-SMA                |                   | 2.2±0.4     | 13.3±0.5/-0.2 | 21     | 60±1.0      | 9.07±0.8/-0 | 11.9       |
|           |                | Sub SMA/SOD123HE         |                   | -           |               |        |             | 8.2±0.8/-0  | 10.6       |
|           | 12             | Sub SMA/SMA/SMB/MBS/ABS  | 1.9±0.4           | 13±0.5/-0.2 | 20.2          | 62±1.0 | 12.2±0.8/-0 | 14.6        |            |
|           | 16             | SMC                      | 1.5min±0.4        |             |               |        | 16.2±0.8/-0 | 18.4        |            |
|           | 8              | Mini-MELF                |                   |             |               |        | 55±1.0      | 8.4±0.8/-0  | 14.4       |
|           | 12             | SOT-23 / SOT-25 / SOT-26 | DFN 2x2 / DFN 3x3 | 178±1       | -             | -      | 60±0.5      | 9±1.5/-0    | 11±1.5/-0  |
|           | 8              |                          |                   |             |               |        | 60±0.5      | 14.4        | -          |
|           | 12             |                          |                   |             |               |        | 60±0.5      | 13±0.15/-0  | 16±0.15/-0 |

| Reel Size | Tape Size (mm) | Case                               | A max      | B (mm) | C (mm)      | D min      | N (mm) | G (mm)     | T max        |
|-----------|----------------|------------------------------------|------------|--------|-------------|------------|--------|------------|--------------|
| 13"       | 8              | Sub SMA                            | 330        | 2±0.5  | 13±0.5      | 20.2       | 75±0.5 | 8.5±2.0/-0 | 14.5         |
|           | 12             | SMA/SMB/MBS/ABS/Sub SMA            |            |        |             |            |        | 12.42.0/-0 | 18.4         |
|           | 16             | SMC/DBLS/ DPAK/DBLS                |            |        |             |            |        | 16.42.0/-0 | 22.4         |
|           | 24             | D <sup>2</sup> PAK                 |            |        |             |            |        | 24.42.0/-0 | 30.4         |
|           | 12             | MELF                               | 1.5±0.5    | 13±0.2 | 50±0.5      | 12.22.0/-0 | 18.4   |            |              |
|           | 8              | Mini-MELF                          | 1.5min±0.5 | 13±0.5 | 100±0.5     | 8.42.0/-0  | 14.4   |            |              |
|           | 12             |                                    |            |        |             | 12.42.0/-0 | 18.4   |            |              |
|           | 8              | SOT-23                             | 330±1      | -      | 13±0.5/-0.2 | -          | 62±1.5 | 8.4±0.2    | -            |
|           | 12             | TSSOP-8                            |            |        |             |            | -      | 12.4±0.2   | -            |
|           | 12             | SOP-8 / MSOP-8 / SOT-223 / DFN 3x3 |            |        |             |            | 97±0.1 | 13±0.15/-0 | 17.4±0.15/-0 |
|           | 16             | SOP-14 / SOP-16 / TO-252           |            |        |             |            | 62±1.5 | 16.4±0.2   | -            |
|           | 24             | TO-263 / TO-263-5L                 | -          | 24±0.2 | -           |            |        |            |              |

# SURFACE MOUNT PACKAGING (PACKED PER EIA/JEDEC STANDARD RS-481)

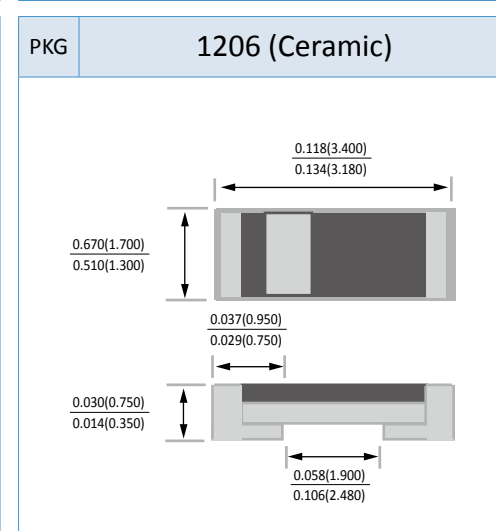
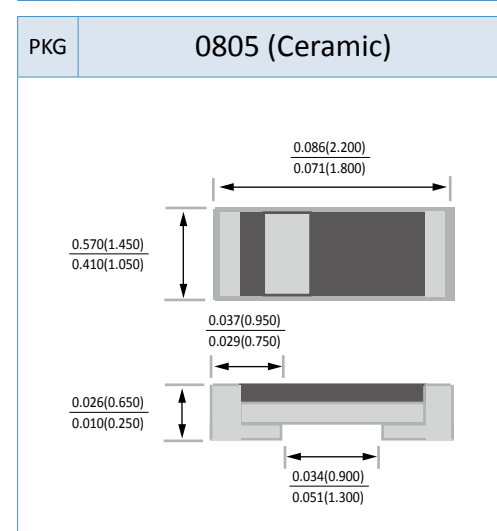
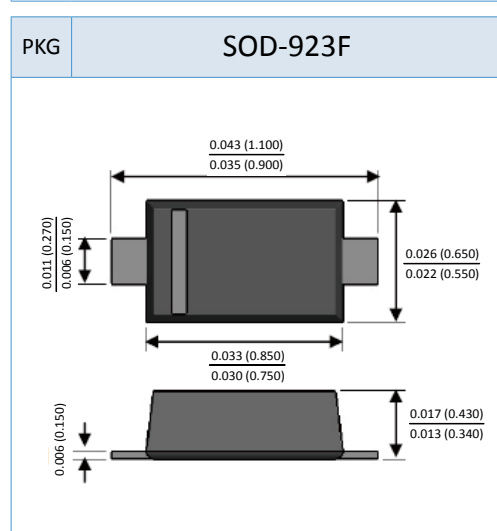
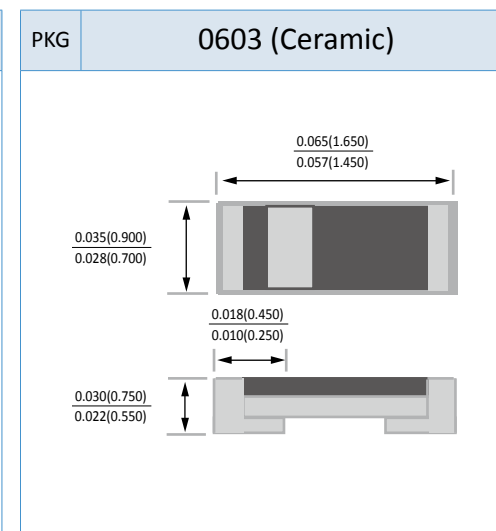
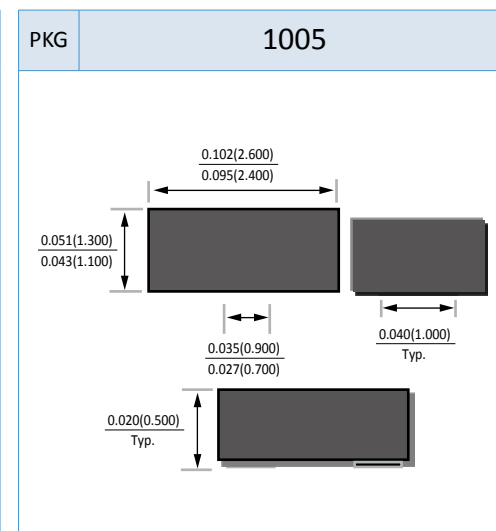
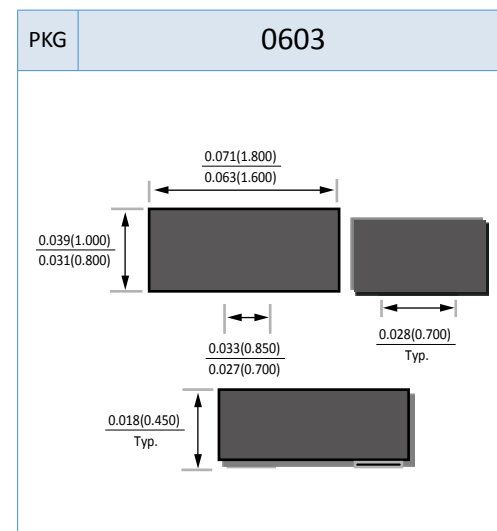
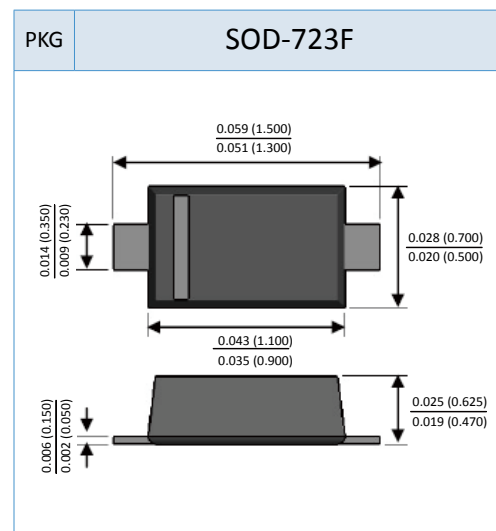
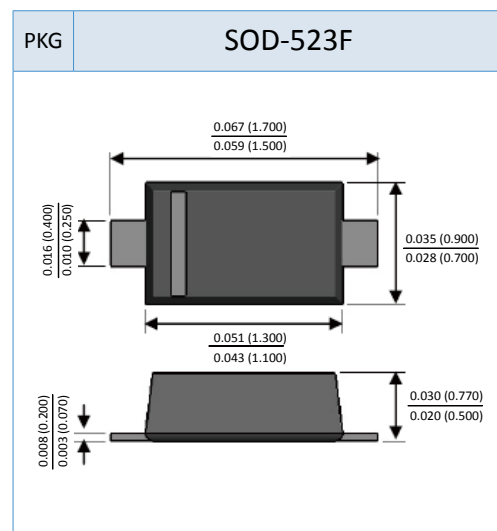
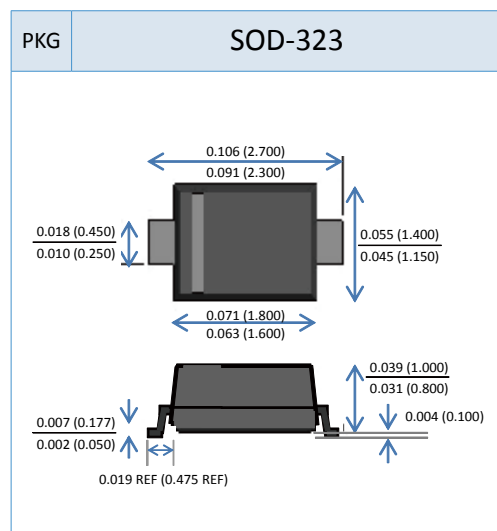
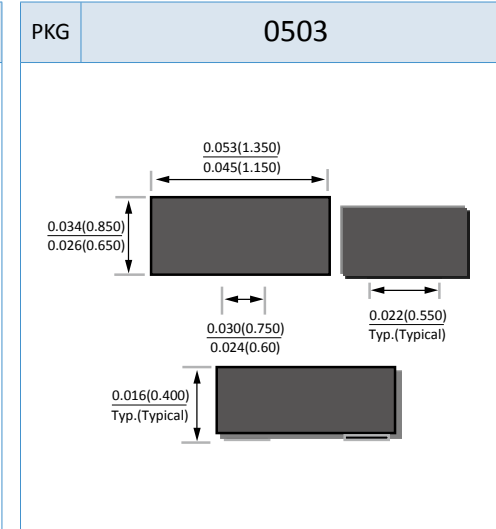
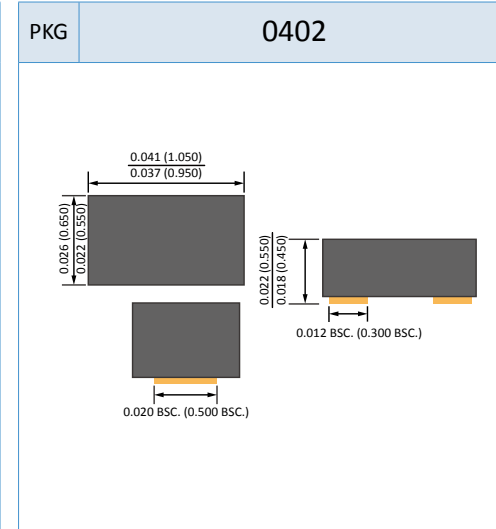
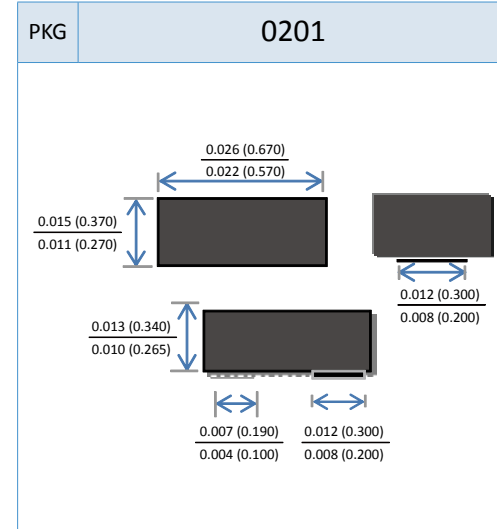
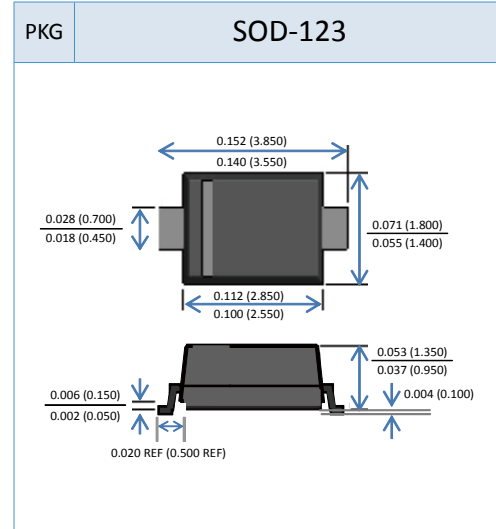
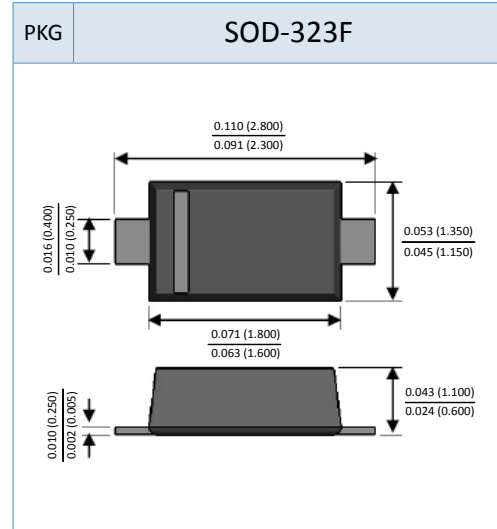
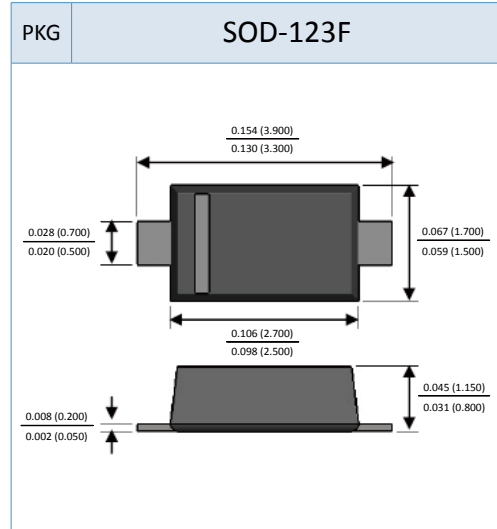


EMBOSSED TAPE ALL DIMENSION IN MILLIMETERS

| TAPESIZE | D           | E           | P0     | t MAX. | A0/B0/K0  | P2       | CONSTANT DIMENSIONS |
|----------|-------------|-------------|--------|--------|-----------|----------|---------------------|
| 8mm      | 1.55+/-0.05 | 1.75+/-0.10 | 4±0.20 | 0.369  | 0.05~16.2 | 2+/- 0.1 | CONSTANT DIMENSIONS |
| 12mm     |             |             |        |        |           |          |                     |
| 16mm     |             |             |        |        |           |          |                     |
| 24mm     |             |             |        |        |           |          |                     |

| PRODUCT TYPE       | TAPE SIZE | B1 MAX     | D1 MIN   | F          | K MAX     | W           | P        | VARIABLE DIMENSIONS |          |      |
|--------------------|-----------|------------|----------|------------|-----------|-------------|----------|---------------------|----------|------|
| Micro-SMA          | 8mm       | 2.75±0.05  | 05±0.05  | 3.5+/-0.05 | 1         | 8+0.3,-0.1  | 4+/-0.1  | VARIABLE DIMENSIONS |          |      |
| SMAF               | 12mm      | 5.33±0.1   | -        | 5.05±0.05  | 2.46      | 12±0.2      |          |                     |          |      |
| Sub SMA/SOD123HE   | 8mm       | 4.6        | 0.95     | 3.5+/-0.05 | 1.52      | 8+0.3,-0.1  |          |                     |          |      |
| Sub SMA            | 12mm      | 8.2        | 0.95     | 5.5+/-0.05 | 1.52      | 12+0.3,-0.1 | 8+/-0.1  |                     |          |      |
| MELF               |           |            | 3.0      |            |           |             |          |                     |          |      |
| SMA                |           |            | 2.46     |            |           |             |          |                     |          |      |
| SMB                |           |            | 2.77     |            |           |             |          |                     |          |      |
| SMPC4.6 / SMPC4.0  |           |            | 1.6      |            |           |             |          |                     |          |      |
| PDFN56             | 16mm      | -          | 1.4      | 7.5+/-0.1  | 6.75      | 16+0.3,-0.1 | 12+/-0.1 |                     |          |      |
| ABS                |           |            |          |            | 3.05      |             |          |                     |          |      |
| MBS                |           |            |          |            | 8.2       |             |          |                     | 1.5      | 2.64 |
| SMC                |           |            |          |            | 3.91      |             |          |                     | 1.5      | 3.91 |
| DBLS               | 24mm      | 10.4+/-0.1 | -        | 4+/-0.1    | 2.5+/-0.1 | 16+0.3,-0.3 | 8+/-0.1  |                     |          |      |
| DPAK               |           |            |          |            |           |             |          |                     | 16+/-0.1 |      |
| D <sup>2</sup> PAK | 24mm      | 20.1       | 1.5      | 11.5+/-0.1 | 5.31      | 24+0.3,-0.1 | 16+/-0.1 |                     |          |      |
| Mini-MELF          | 8mm       | 3.73±0.05  | 1.1±0.05 | 3.5±0.05   | 1.8±0.05  | 8±0.05      | 4±0.1    |                     |          |      |
| SOT-23 / 25 / 26   | 12mm      | 5.3±0.1    | 1±0.1    | 5.5±0.1    | 3±0.1     | 3±0.1       | 4±0.1    |                     |          |      |
| DFN 2x2 / 3x3      | 12mm      | -          | -        | -          | -         | 8±0.3       | 4±0.2    |                     |          |      |
| SOT-89 / SOT-89-5L |           |            |          |            |           | 8+0.3/-0.1  |          |                     |          |      |
| TSSOP-8            |           |            |          |            |           | 12±0.3      | 8.0      |                     |          |      |
| SOP-8              |           |            |          |            |           | -           | -        |                     |          |      |
| SOP-8              | 16mm      | -          | -        | -          | -         | 12±0.3      | 8±0.1    |                     |          |      |
| MSOP-8             |           |            |          |            |           | -           | -        |                     |          |      |
| SOT-223            |           |            |          |            |           | 16±0.3      | 8±0.1    |                     |          |      |
| SOP-14 / 16        | 24mm      | -          | -        | -          | -         | 16±0.3      | 8±0.1    |                     |          |      |
| TO-252             |           |            |          |            |           | 24±0.3      | 16±0.1   |                     |          |      |
| TO-263 / TO-263-5L | 24mm      | -          | -        | -          | -         | 24±0.3      | 16±0.1   |                     |          |      |

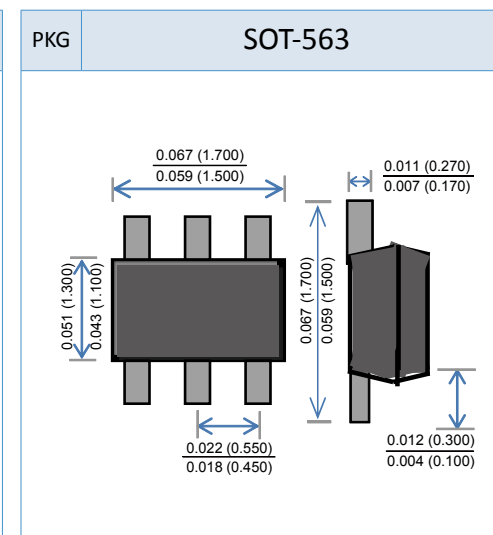
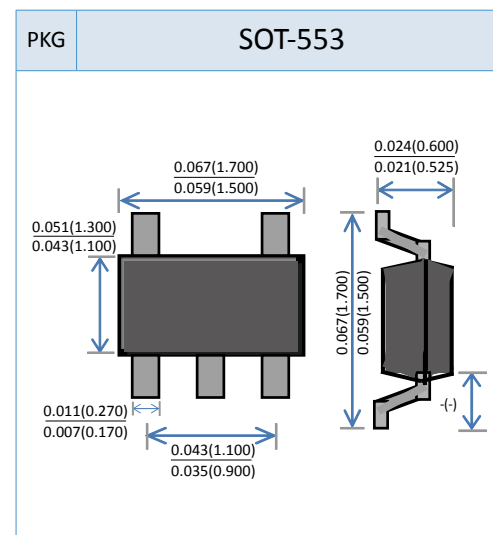
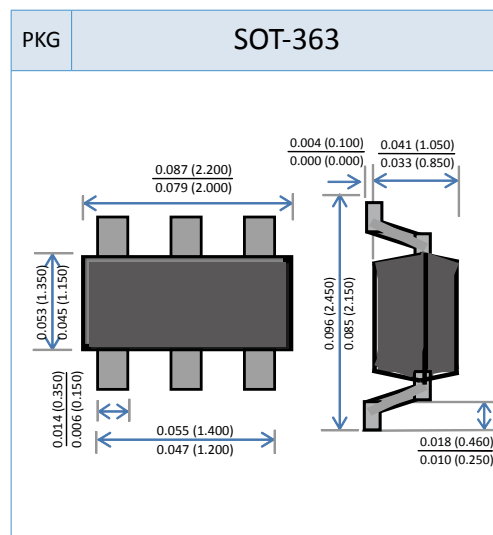
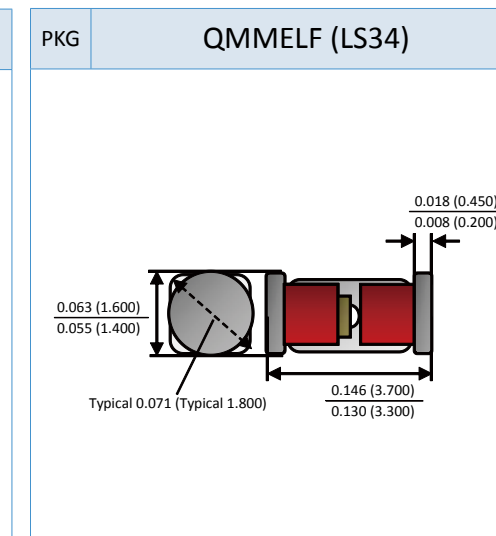
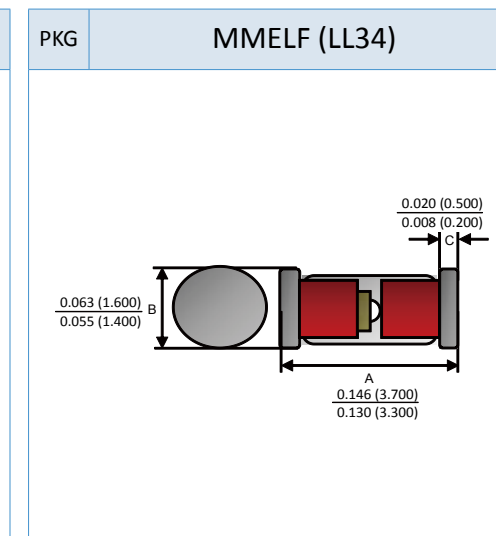
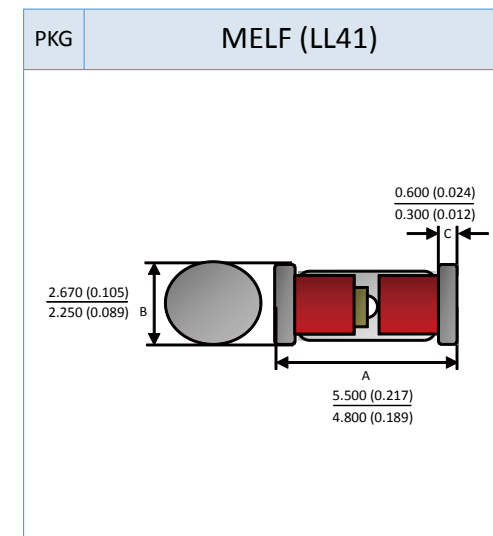
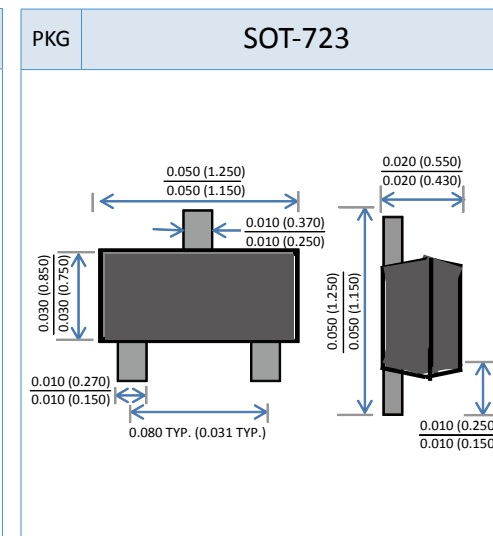
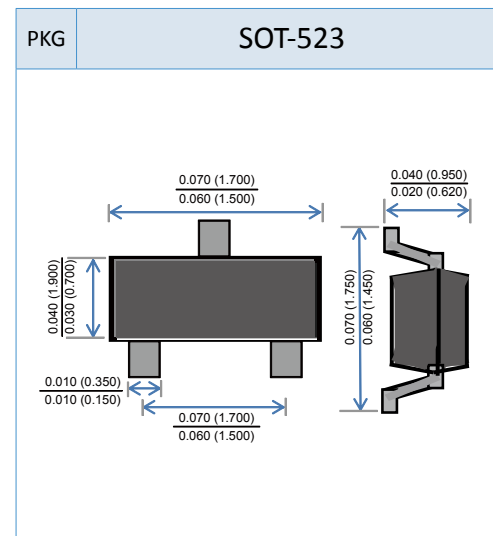
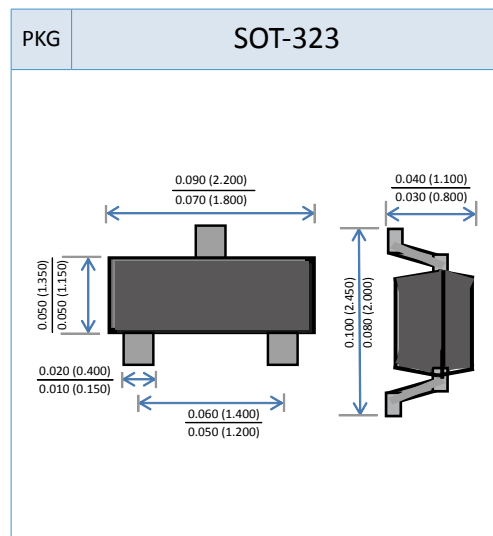
A0,B0,K0 are determined by component size. The clearance between the component and the cavity must be within 0.05mm(.002")min. to 0.65mm(.025")max. for 12mm tape, 0.05mm(.002")min. to 0.90mm(.035") max. for 16mm tape. In addition, the components cannot rotate more than 20° within the determined cavity.





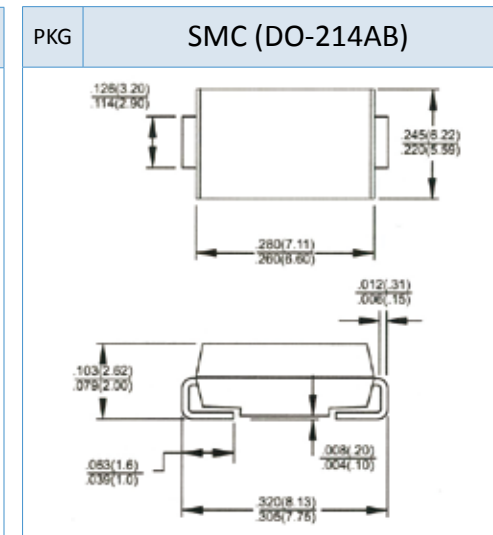
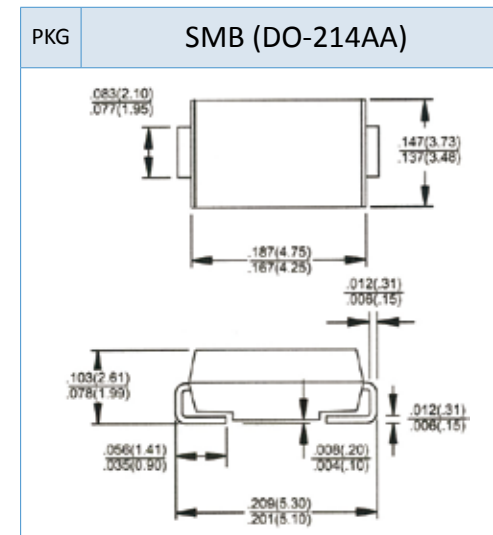
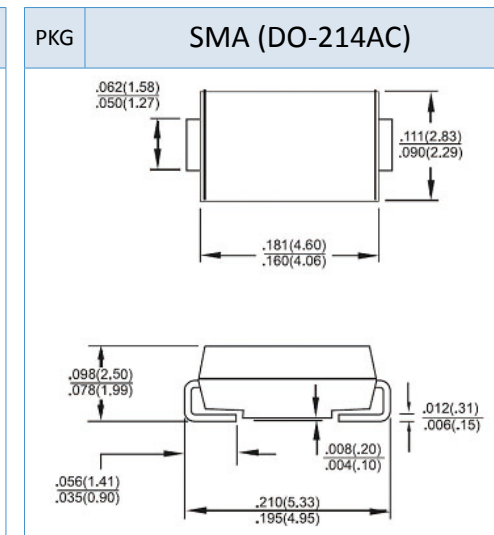
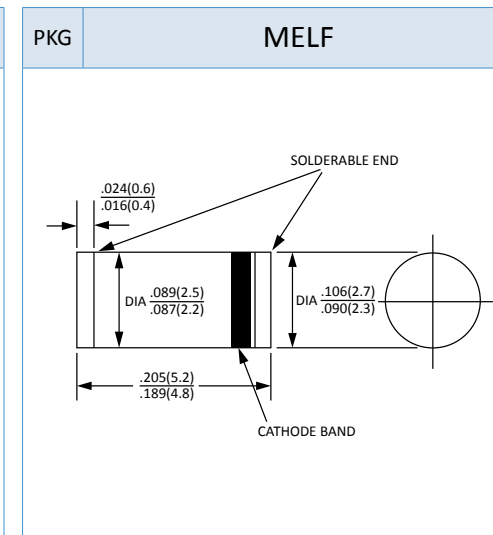
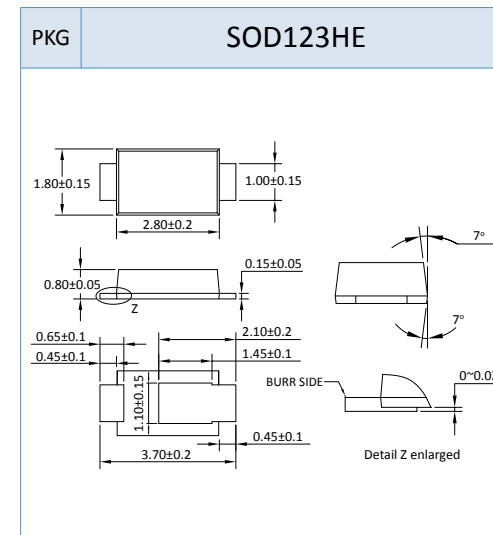
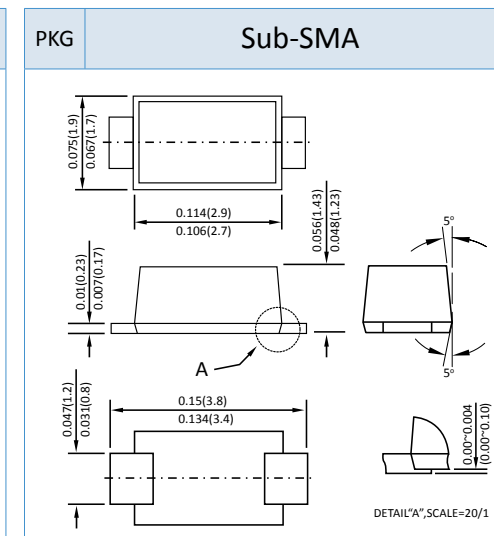
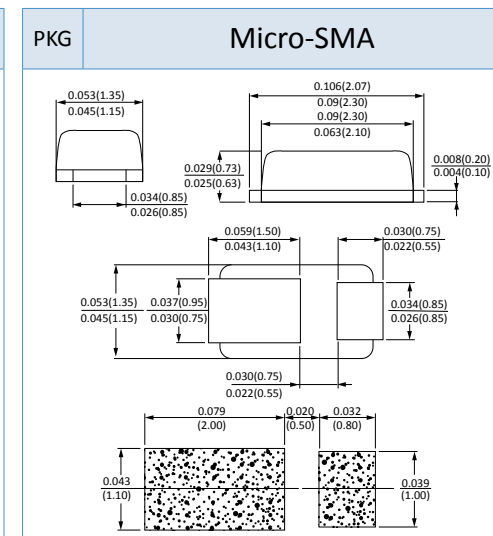
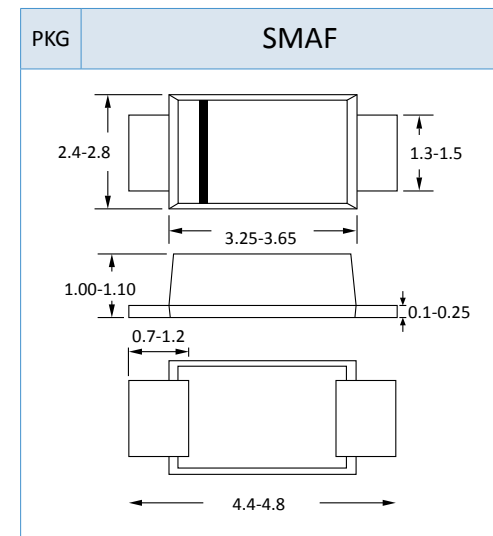
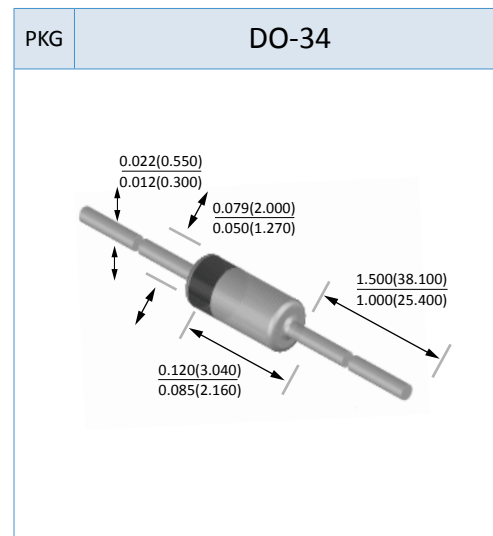
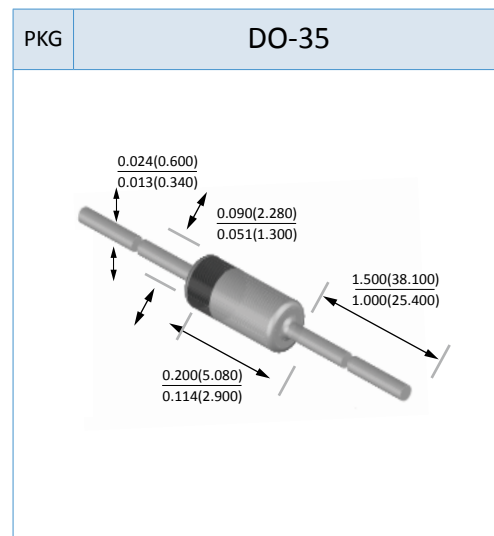
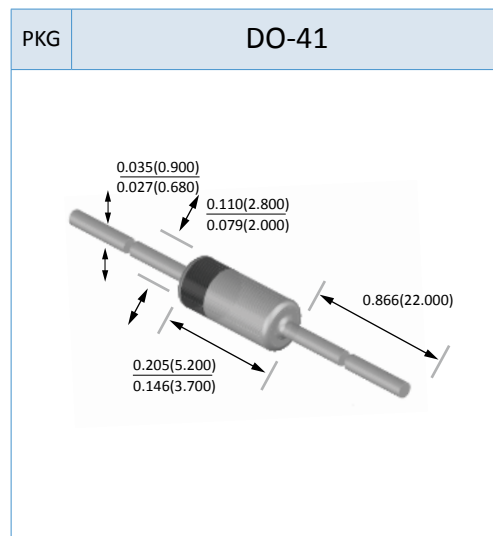
# OUTLINE DRAWINGS

# OUTLINE DRAWINGS



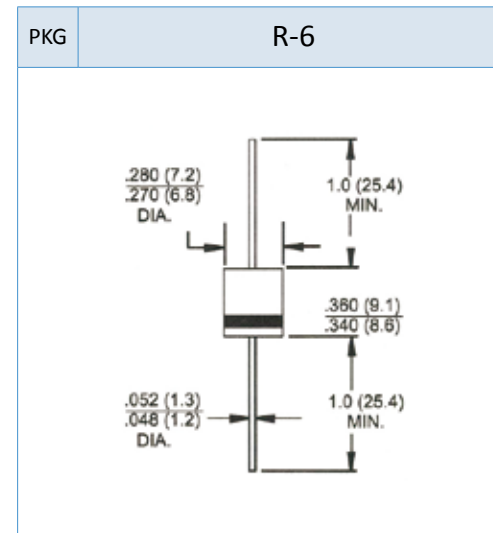
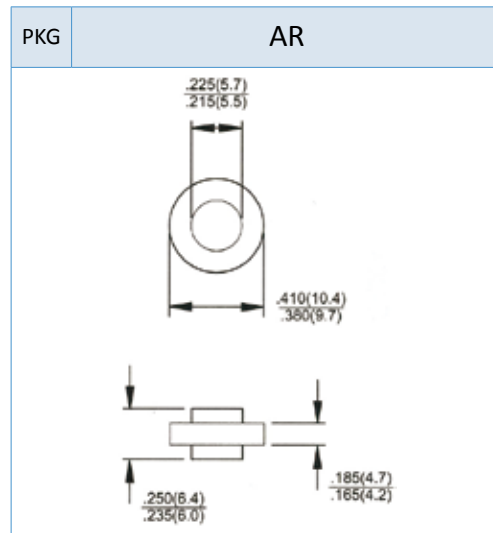
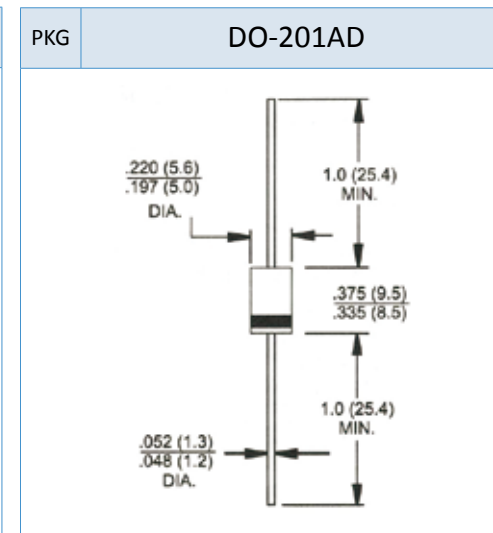
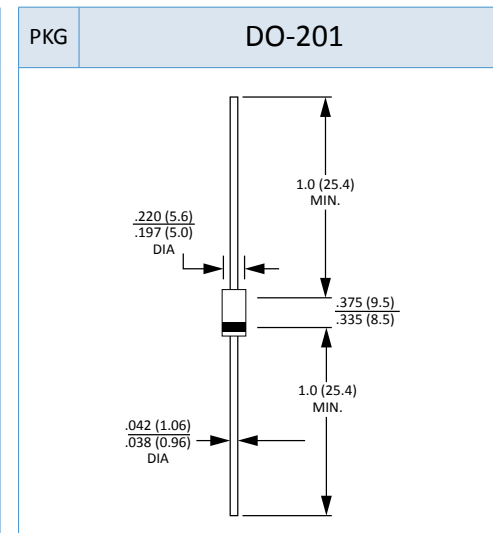
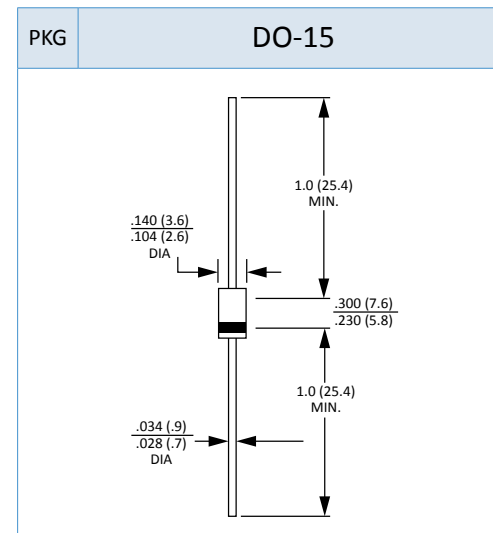
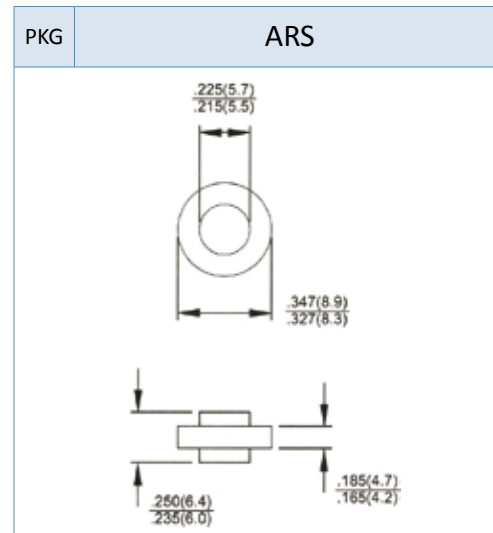
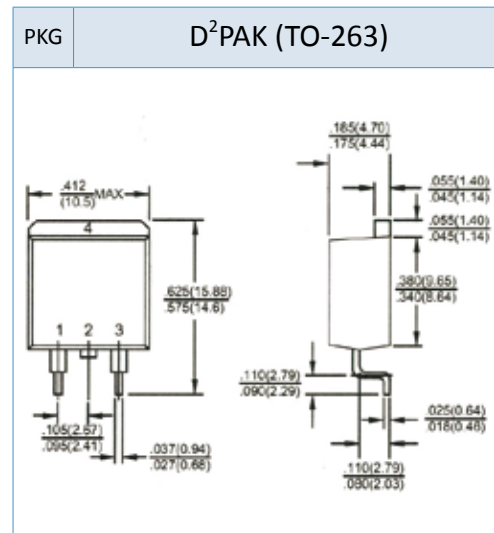
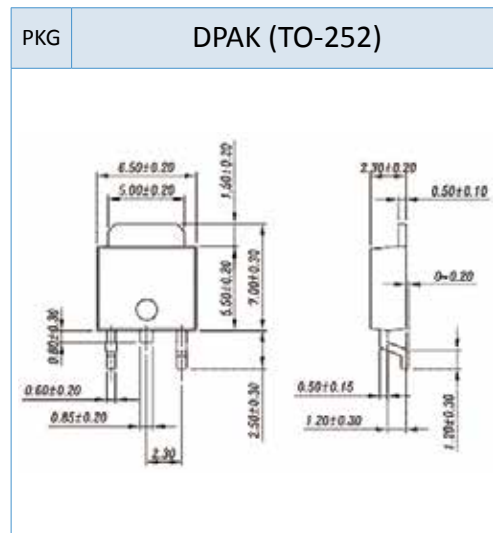
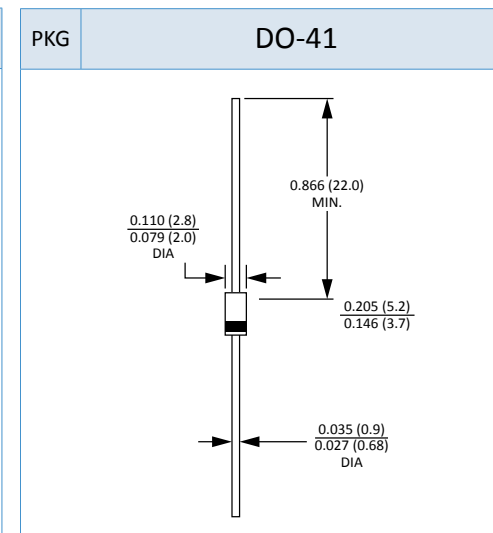
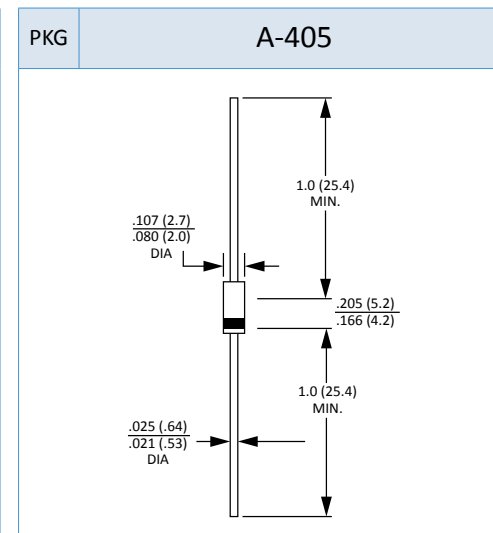
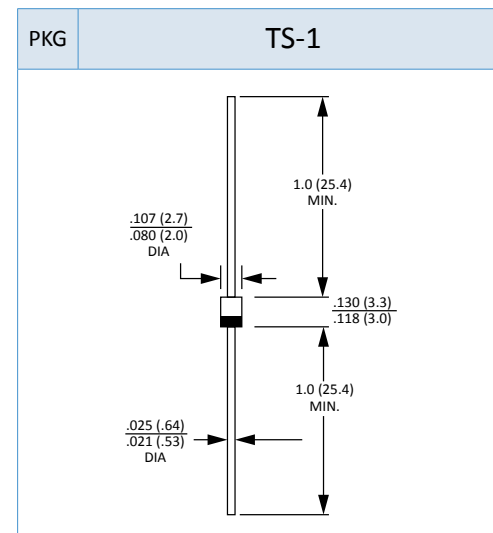
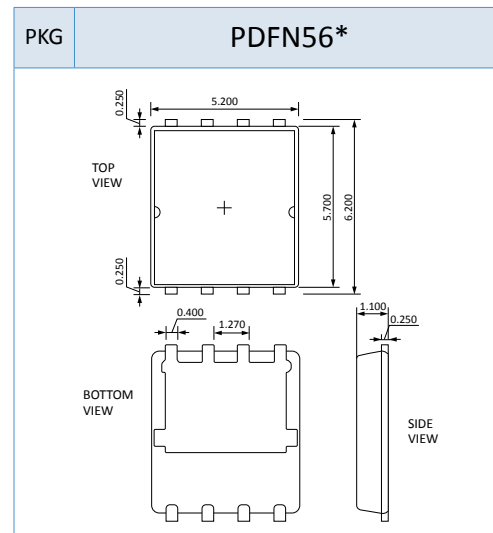
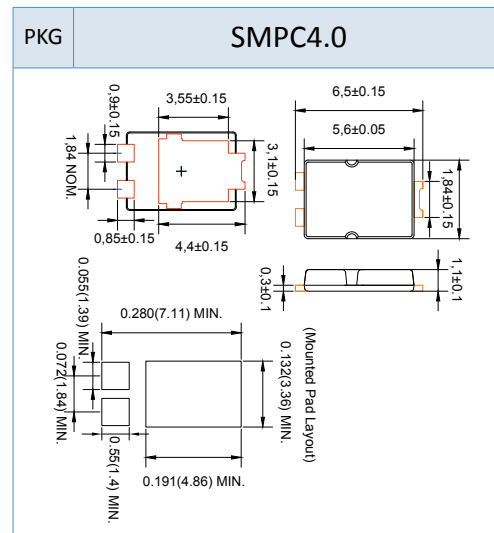
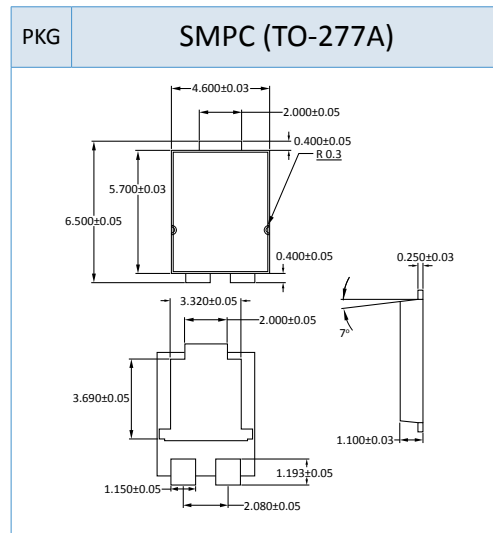
# OUTLINE DRAWINGS

# OUTLINE DRAWINGS



# OUTLINE DRAWINGS

# OUTLINE DRAWINGS



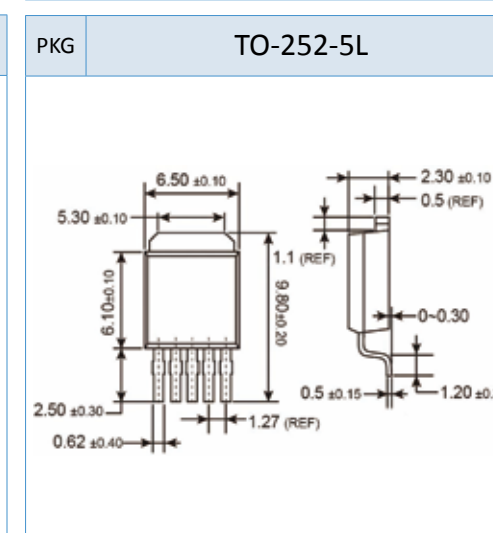
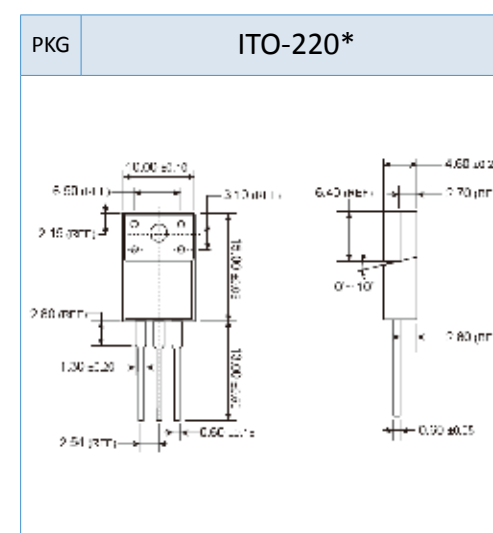
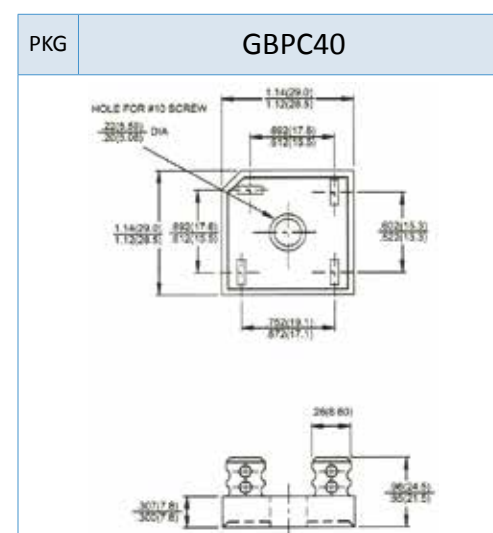
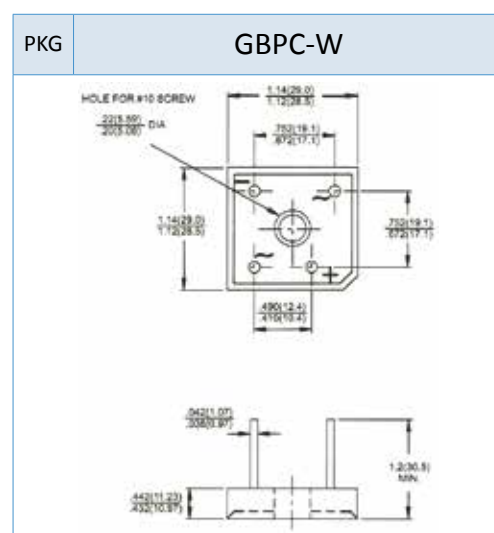
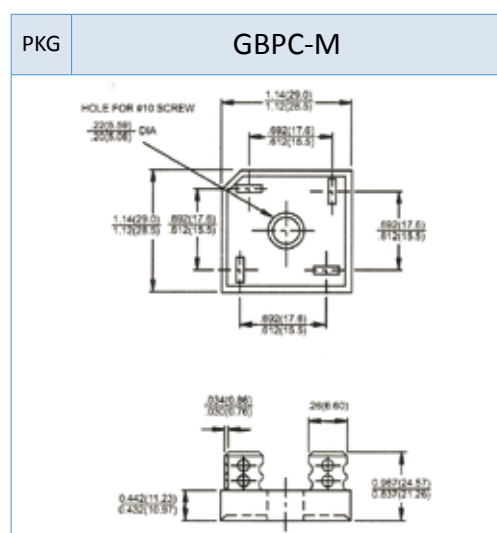
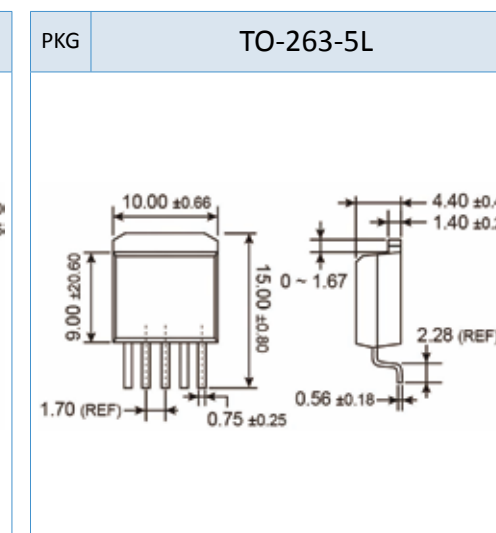
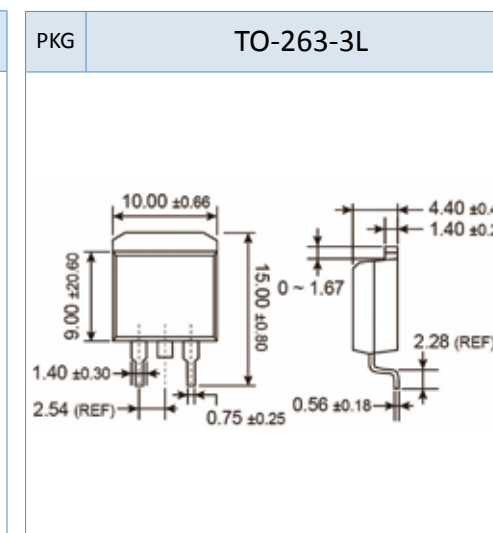
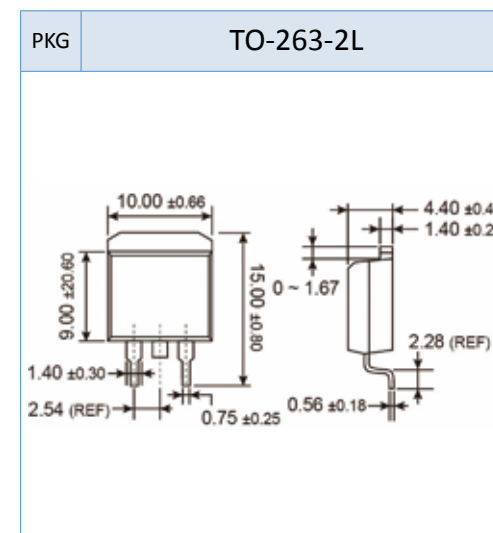
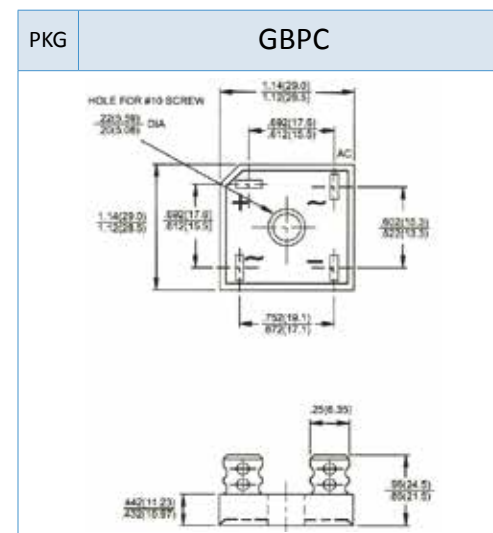
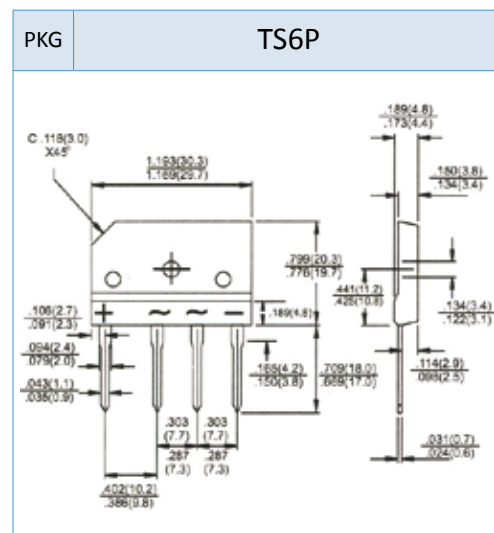
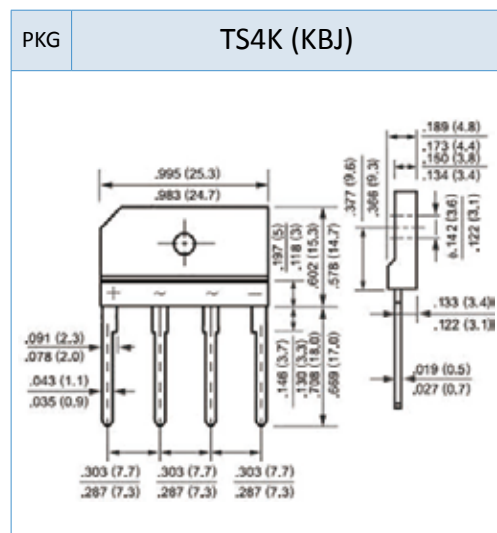
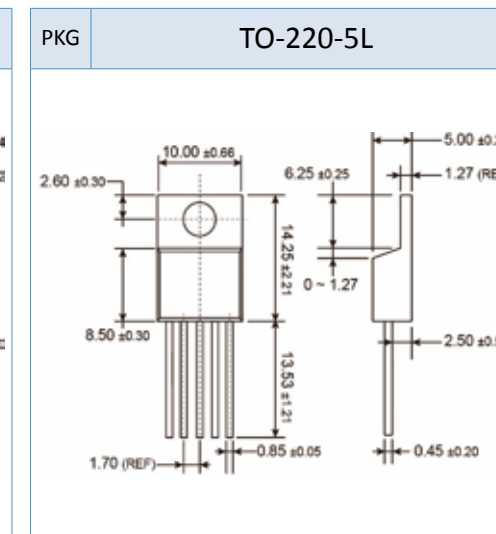
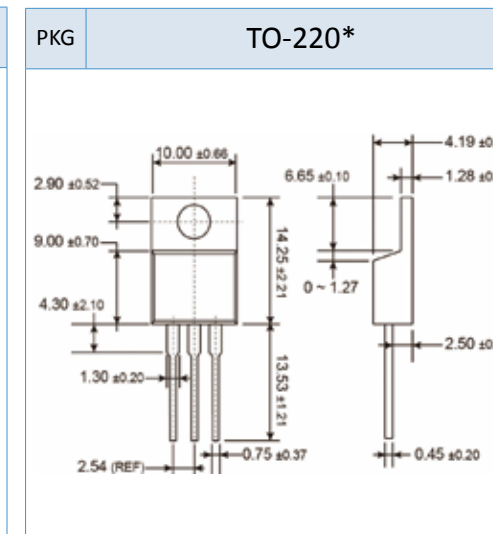
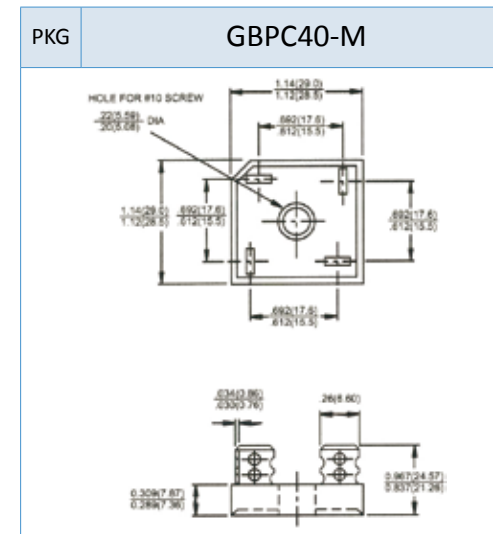
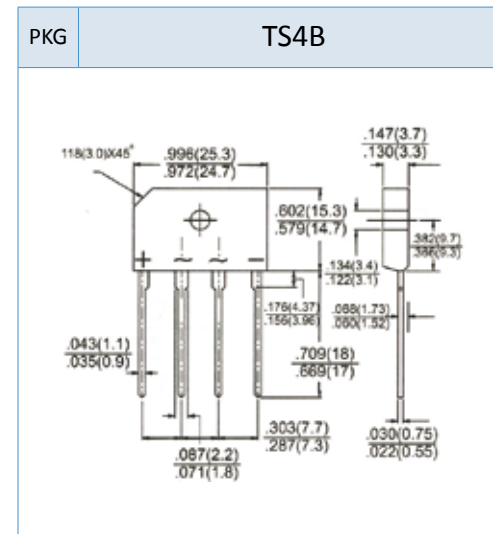
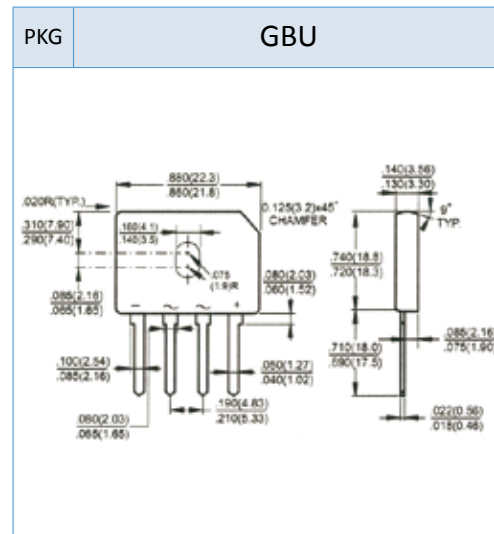
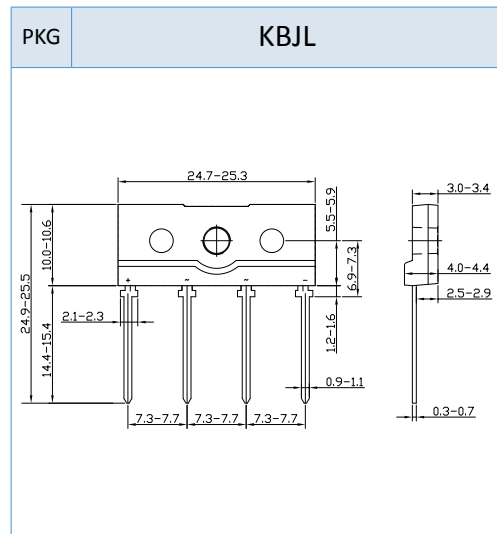
Note. \* refers to Rectifier package spec





# OUTLINE DRAWINGS

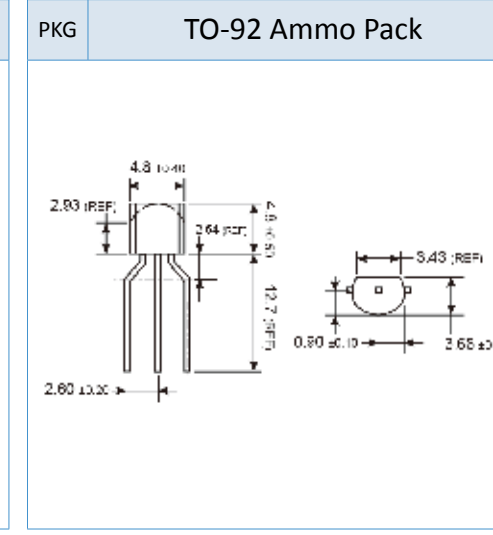
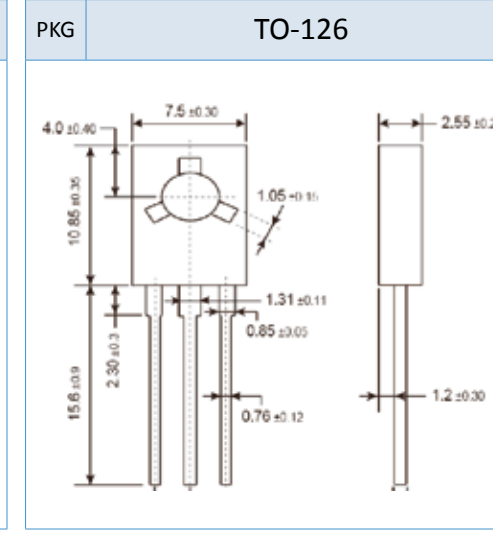
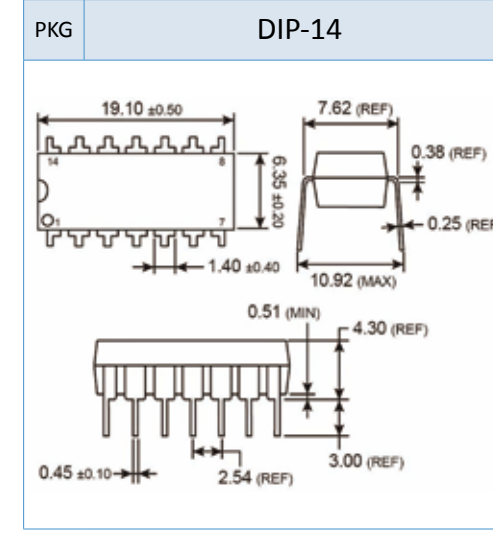
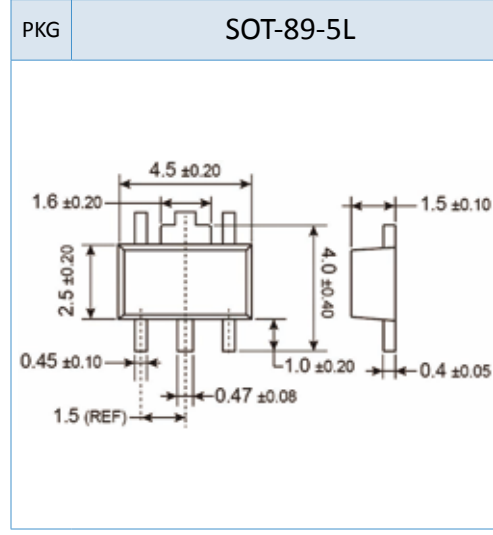
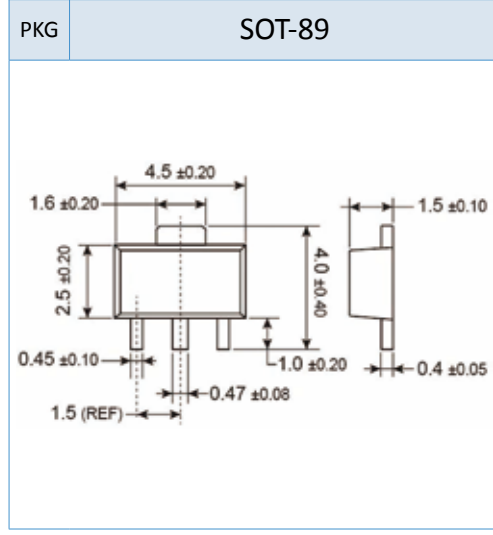
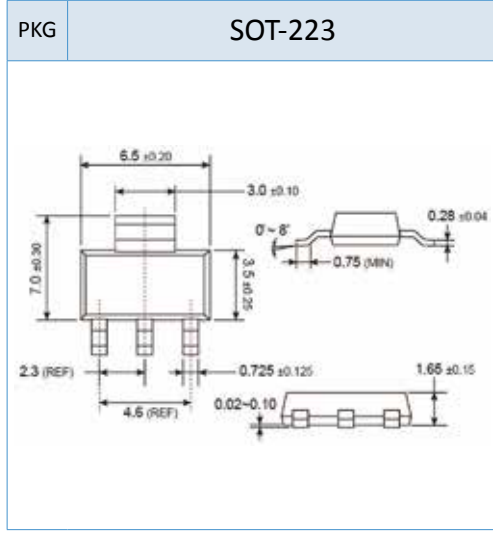
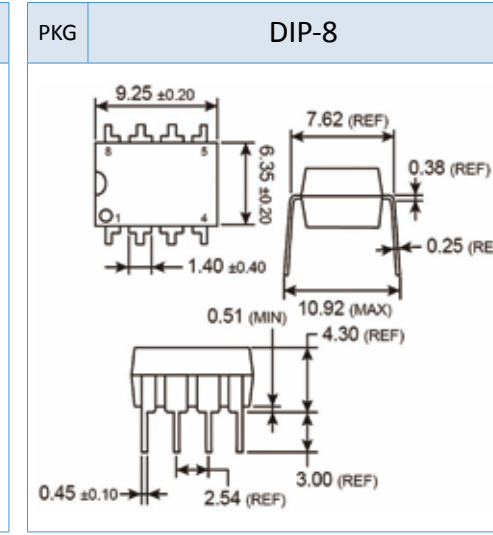
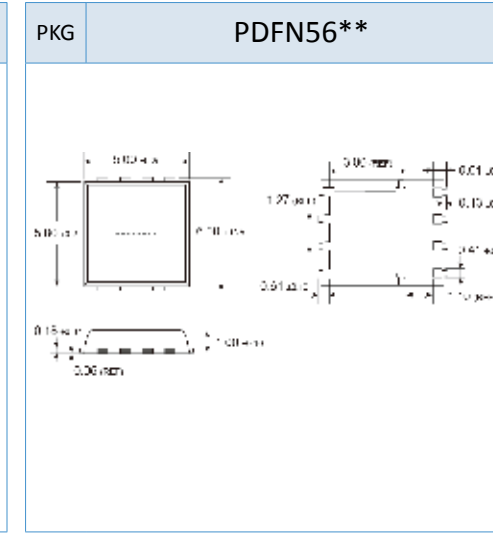
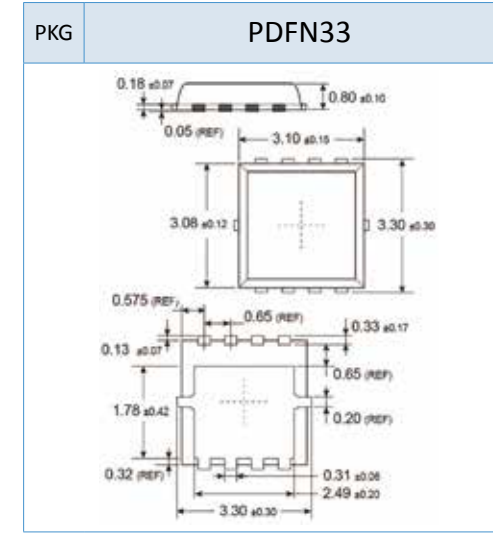
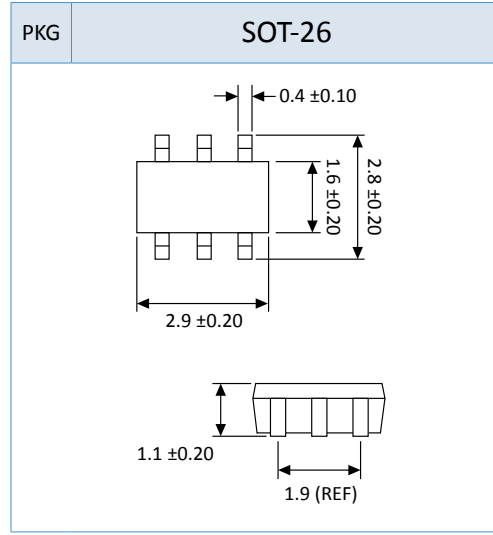
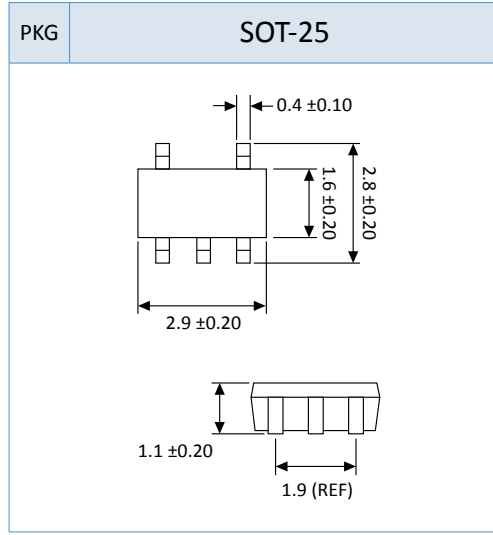
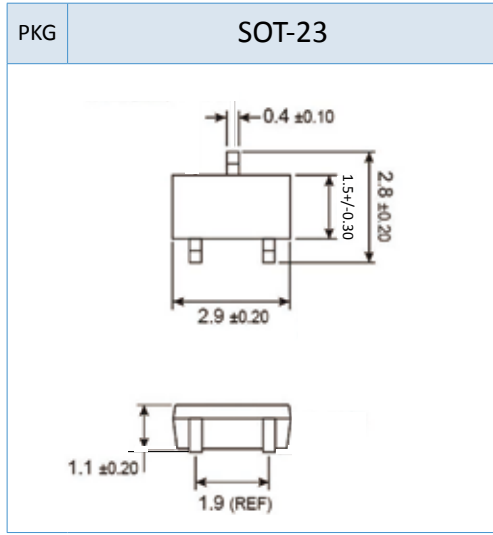
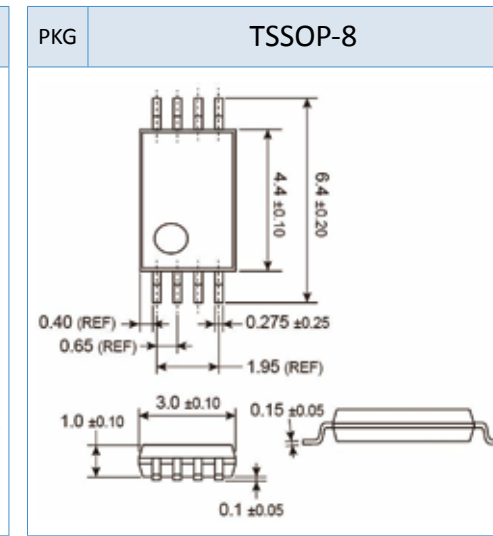
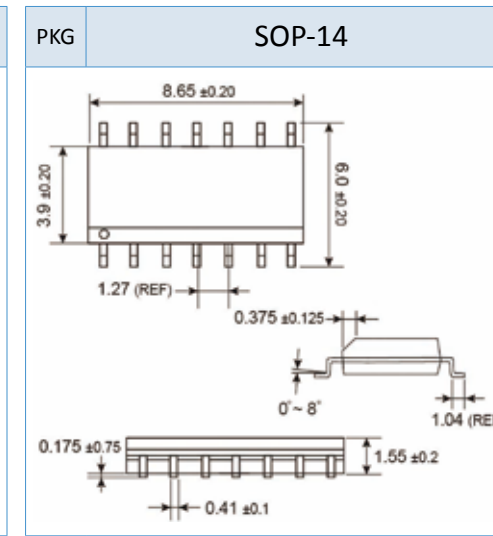
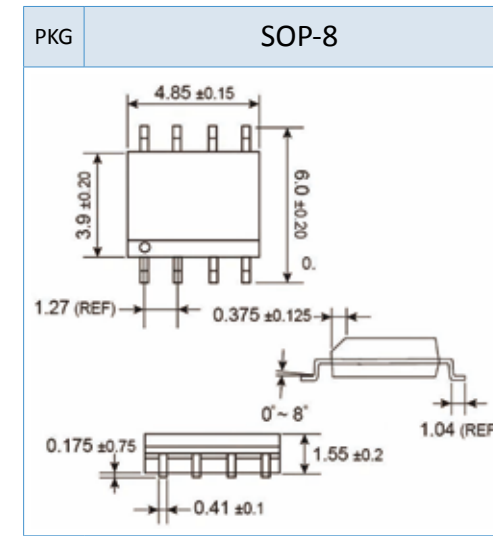
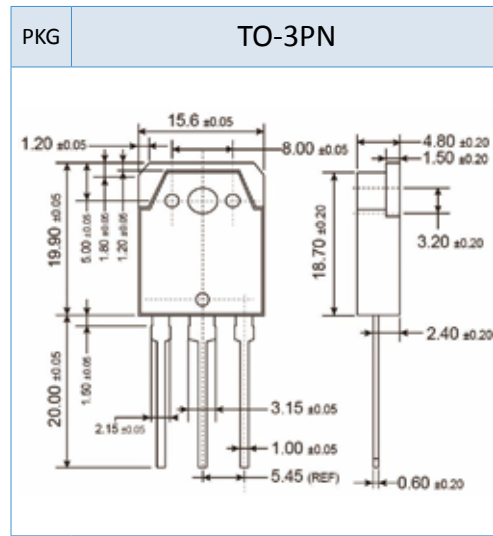
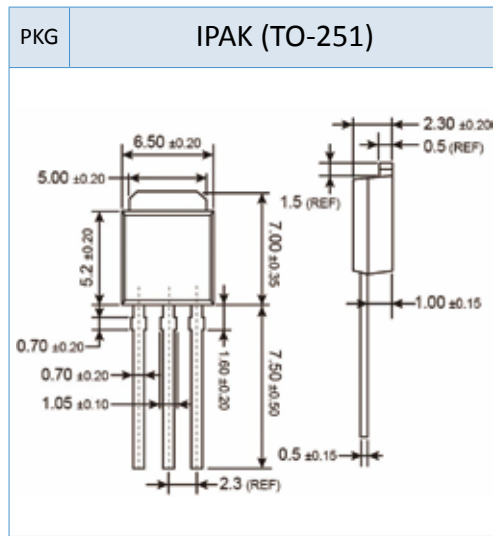
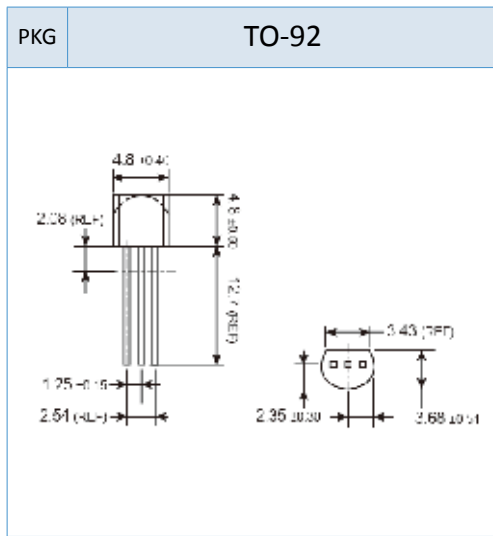
# OUTLINE DRAWINGS



Note. \* refers to MOSFET package spec

# OUTLINE DRAWINGS

# OUTLINE DRAWINGS



Note: \*\* refers to MOSFET package spec

# QUALITY COMPANY, QUALITY PRODUCTS

Taiwan Semiconductor Co., Ltd (TSC) was founded in 1979 at Taipei, Taiwan. For more than 35 years the company has excelled in the manufacture of power semiconductors including Rectifiers and Diodes, Trench Schottkys, Analog ICs, MOSFETs, Power Transistors and Small Signal Devices. These are essential components in all electronics including automotive, communications, consumer, industrial, lighting and power supplies. Since its beginning, TSC has continually grown and improved, and today maintains the same strong commitment to excellence in quality, reliability, innovation, and customer service. Taiwan Semiconductor is proud of its status as a preferred supplier partner to many global electronics customers.



## ASIA/PACIFIC

|   |  |  |  |
|---|--|--|--|
| <b>Taiwan</b><br>Taiwan Semiconductor Co., Ltd.<br>11F, No.205, Sec.3, Beishin Rd.,<br>Xindian District, New Taipei City,<br>231, Taiwan, R.O.C.<br>Tel: +886 2 8913-1588<br>Fax: +886 2 8913-1788<br>+886 2 8913-1800<br>E-mail: marketing@mail.ts.com.tw                              | <b>Korea</b><br>Taiwan Semiconductor Co., Ltd. Korea<br>Room 315, Songnam Bldg., 1358-6,<br>Seocho-Dong, Seocho-Gu, Seoul, Korea<br>Tel: +82-2-598-3336<br>Fax: +82-2-598-3351<br>E-mail: sales@tsckr.com                                      | <b>Japan</b><br>Taiwan Semiconductor Japan Co., Ltd.<br>Yuasa Bldg. 3F, 2-13-10,<br>Hongo Bunkyo-ku, Tokyo<br>113-0033, Japan<br>Tel: +81-3-5840-6381<br>Fax: +81-3-5840-6382<br>E-mail: sales@tsdj.jp                                   | <b>HongKong</b><br>Taiwan Semiconductor (H.K.) Co., Ltd.<br>8F, Kian Dai Industrial Building, 73-75<br>Hung To Road, Kwun Tong, Kowloon,<br>Hong Kong<br>Tel: +852-2790-8881<br>Fax: +852-2790-3939<br>E-mail: sales@taiwansemi.com.hk |
| <b>China</b><br>Taiwan Semiconductor (Shenzhen) Co., Ltd.<br>Room 3006-3007, 30F, Di Wang<br>Commercial Center, ShunHing Square,<br>5002 Shennan East Road,<br>ShenZhen, China<br>Zip: 518000<br>Tel: +86-755-8328-9100<br>Fax: +86-755-8328-3749<br>E-mail: Sales_China@mail.ts.com.tw | Taiwan Semiconductor (Shanghai) Co., Ltd.<br>Room 2909, 29F, Enterprise Square,<br>No.228, MeiYuan Rd., Zhabei Area,<br>Shanghai, China<br>Zip: 200070<br>Tel: +86-21-6876-5776<br>Fax: +86-21-6876-5775<br>E-mail: Sales_China@mail.ts.com.tw | TSC Suzhou Representative Office<br>Phoenix Culture Square Room<br>2808-2809, XingGui Street 33, SIP,<br>Suzhou, Jiangsu, China<br>Zip: 215011<br>Tel: +86-512-6299-8266<br>Fax: +86-512-6299-8166<br>E-mail: Sales_China@mail.ts.com.tw | TSC Tianjin Representative Office<br>No.165, Huanghai Rd., Tianjin Economic<br>Development Area, China<br>Zip: 300457<br>Tel: +86-22-5981-6699<br>Fax: +86-22-5981-5331<br>E-mail: Sales_China@mail.ts.com.tw                          |

## AMERICA

|  |  |  |
|--|--|--|
| <b>Pomona, CA</b><br>TSC America Inc.<br>3191 W. Temple Ave., Suite 105,<br>Pomona, CA 91768, USA<br>Tel: +1-909-612-9600<br>Fax: +1-909-612-9610<br>E-mail: sales@tscus.com | <b>San Antonio, TX</b><br>TSC America Inc.<br>935 Cheyenne Creek<br>San Antonio TX 78258, USA<br>Tel: +1-210-481-9894<br>E-mail: bruce.hartwig@tscus.com | <b>Huntsville, AL</b><br>TSC America Inc.<br>209 Blackwater Drive<br>Harvest AL 35749, USA<br>Tel: +1-909-569-3610<br>Fax: +1-909-525-9780<br>Email: jerry.clark@tscus.com |
|--|--|--|

## EUROPE

|  |   |  |
|--|---|--|
| <b>Germany</b><br>Taiwan Semiconductor Europe GmbH<br>Georg-Wimmer-Ring 8b<br>85604 Zorneding, Germany<br>Tel: +49-8106-996360<br>Fax: +49-8106-996363<br>E-mail: munich@tsceu.com | <b>France</b><br>Taiwan Semiconductor Europe GmbH<br>97, rue Eugene Delacroix Pavillon 1,<br>91210 Draveil France<br>Tel: +33-1-6939-2829<br>Fax: +49-81-0699-6363<br>E-mail: infoparis@tsceu.com | <b>U.K.</b><br>Taiwan Semiconductor Europe GmbH<br>15, Cheltenham Drive Wildwood,<br>Stafford Staffordshire ST174TX, England<br>Tel: +44(0)178-5660-440<br>Fax: +44(0)560-1148-406<br>E-mail: pat.howard@tsceu.com |
|--|---|--|





Taiwan Semiconductor Co., Ltd.  
11F, No. 205, Sec. 3, Beishin Rd., Xindian Dist., New Taipei City, 231, Taiwan, R.O.C