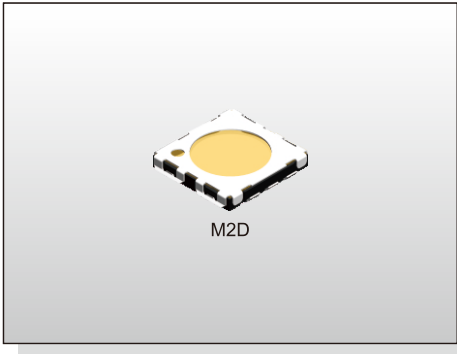


MULTI FUNCTION SWITCH
M2D SERIES

Miniature
Double Action Type



M2D

FEATURES

- ※ Double action
- ※ Compact-sized 4.1x4.3mm
- ※ 0.6mm height

APPLICATION

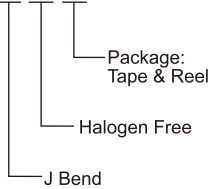
- ※ Camera
- ※ Mobile phone & peripherals

SPECIFICATION

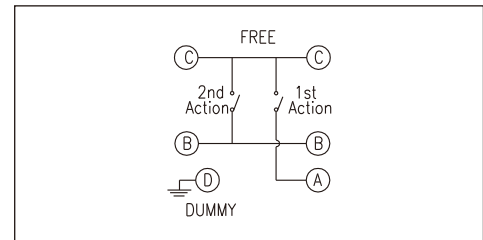
Contact Rating	10 μ A, 2V DC min. 20mA, 15V DC max.
Contact Resistance	500m Ω max.
Insulation Resistance	100M Ω min. 100V DC
Dielectric Strength	250V AC/1 minute
Operating Force	90 \pm 40gf, 1st 190 \pm 60gf, 2nd
Travel	0.15mm, 1st 0.30mm, 2nd
Operating Life	100,000 cycles
Operating Temp.	-20 $^{\circ}$ C ~ +70 $^{\circ}$ C
Storage Temp.	-40 $^{\circ}$ C ~ +85 $^{\circ}$ C

HOW TO ORDER

M 2 D L Q R



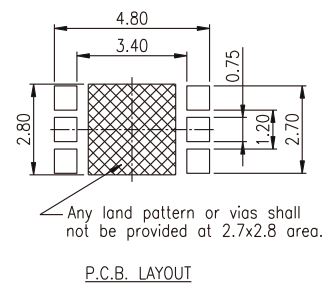
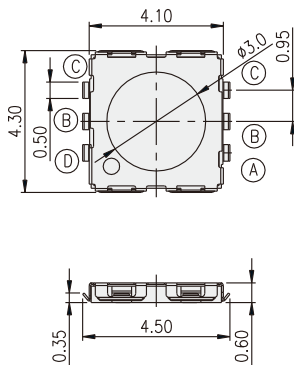
CIRCUIT



PACKAGE

<Tape & Reel>
4500 pcs

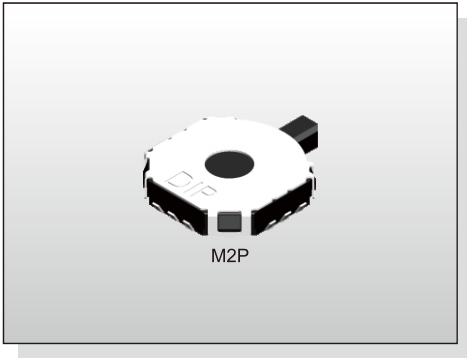
M2D



P.C.B. LAYOUT

MULTI FUNCTION SWITCH M2P SERIES

Double Action & Lever Type



M2P

FEATURES

- ※ Double action with lever
- ※ 1.4mm height

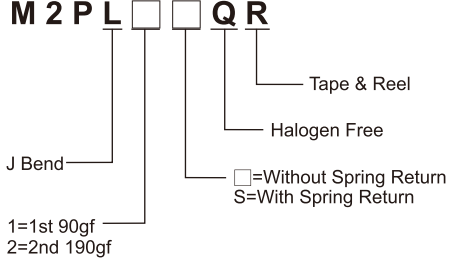
APPLICATION

- ※ Camera
- ※ Mobile phone & peripherals

SPECIFICATION

Contact Rating	01mA, 3V DC~10mA, 5V DC
Contact Resistance	1Ω max.
Insulation Resistance	100MΩ min. 500V DC
Dielectric Strength	100V AC/1 minute
Operating Force	Lever: 70gf.cm MAX Push: 90±40gf, 1st 190±60gf, 2nd
Travel	Lever: 8°, 1st 20°, 2nd Push: 0.15mm, 1st 0.30mm, 2nd
Operating Life	50,000 cycles
Operating Temp.	-40°C ~ +85°C
Storage Temp.	-40°C ~ +85°C

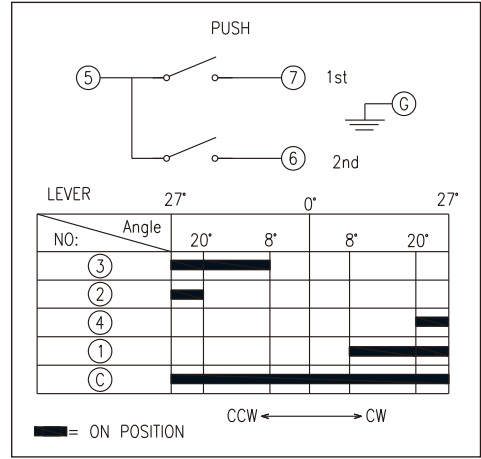
HOW TO ORDER



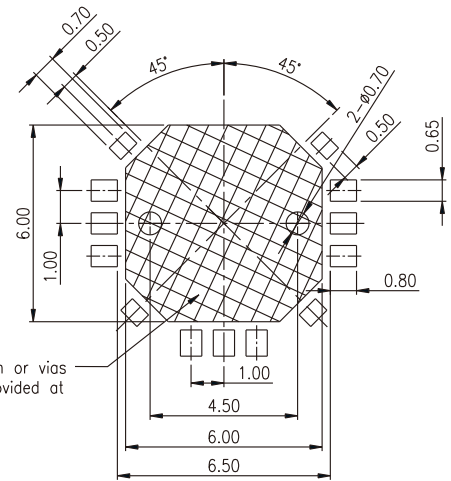
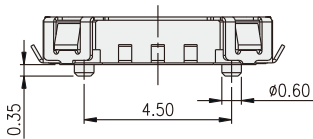
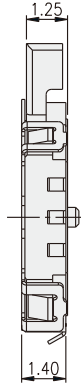
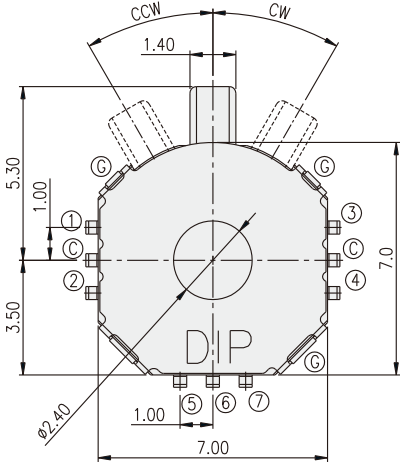
PACKAGE

<Tape & Reel>
2300 pcs

CIRCUIT

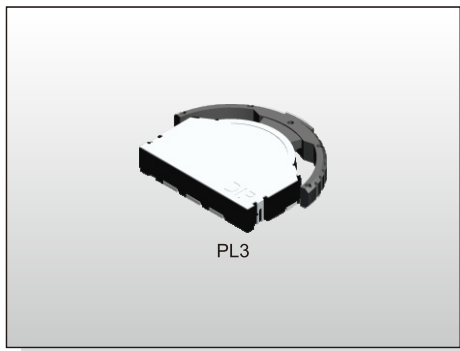


M2P



Any land pattern or vias shall not be provided at 6x6 area.

P.C.B. LAYOUT



PL3

FEATURES

※Multi function (Push & Lever)

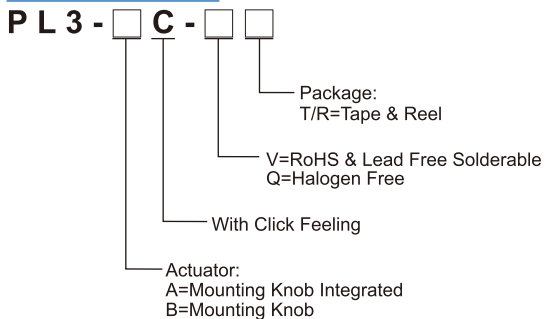
APPLICATION

※Remote controls
 ※Volume control for variety of applications

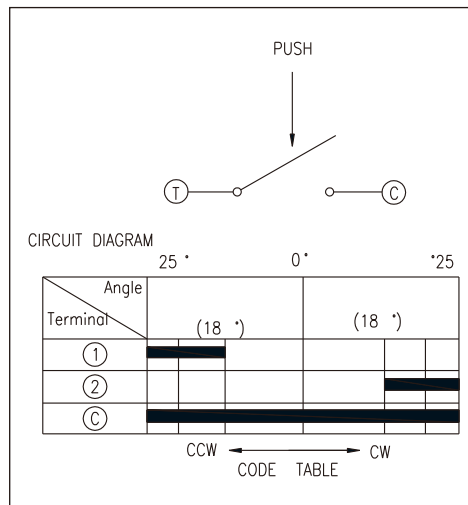
SPECIFICATION

Contact Rating	10mA, 5V DC
Contact Resistance	100mΩ max.
Insulation Resistance	100MΩ min. 100V DC
Dielectric Strength	100V AC/1 minute
Operating Force	70±50gf, Lever(CW, CCW) 200±100gf, Center push
Operating Life	100,000 cycles
Operating Temp.	-10°C ~ +60°C
Storage Temp.	-30°C ~ +80°C

HOW TO ORDER



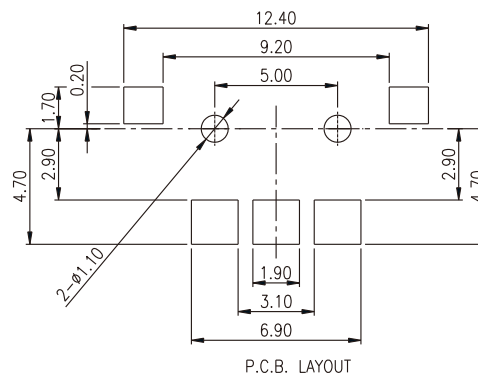
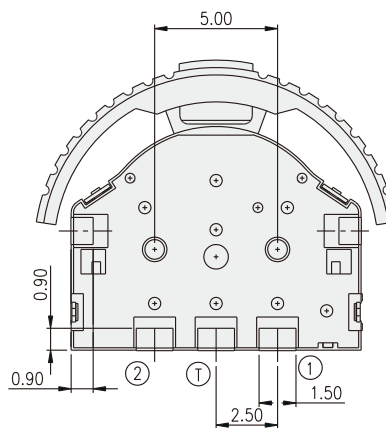
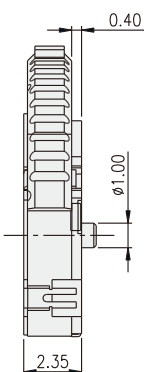
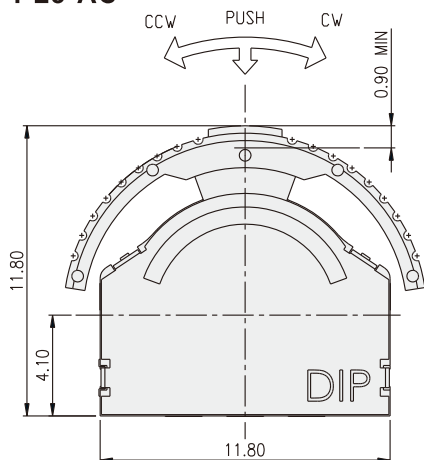
CIRCUIT



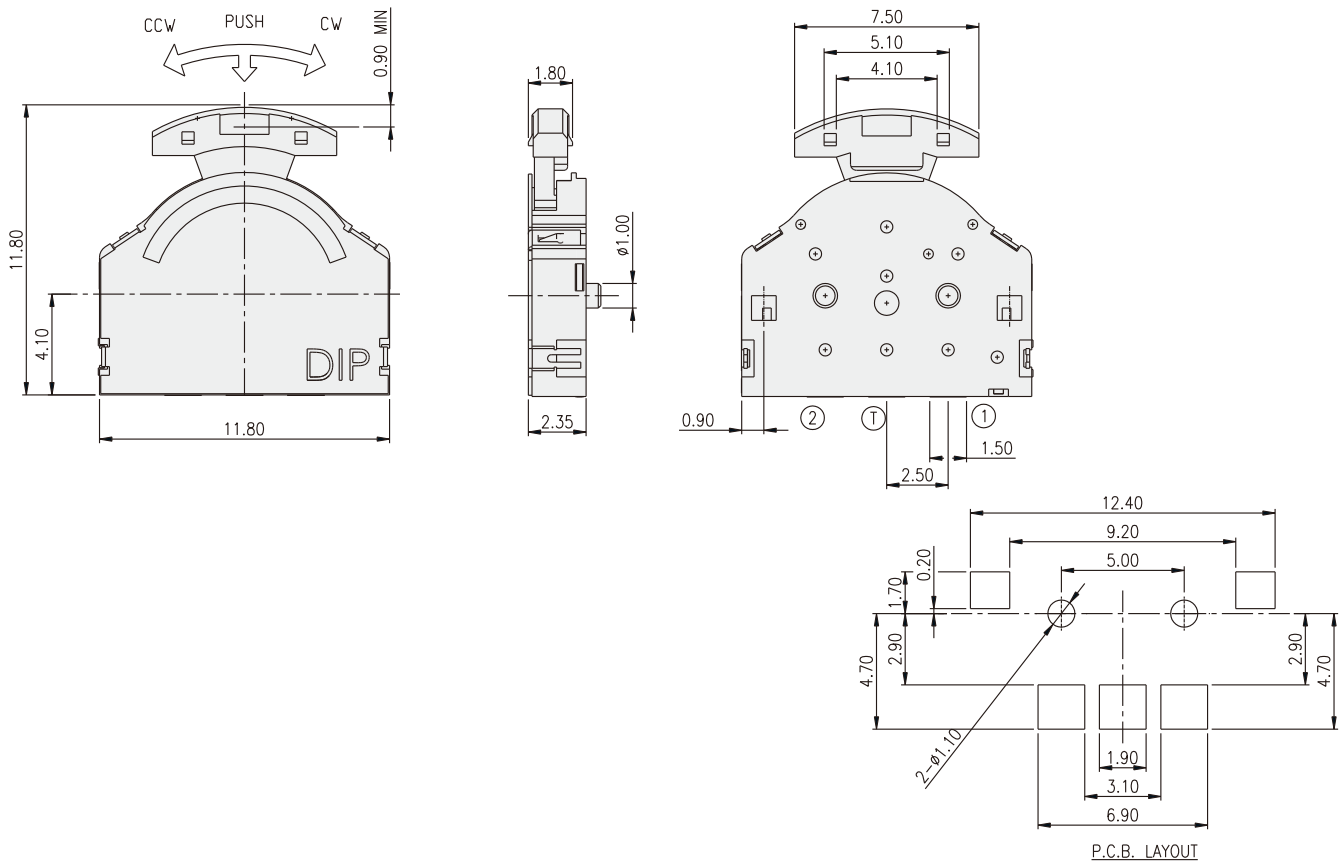
PACKAGE

<Tape & Reel>
900 pcs

PL3-AC

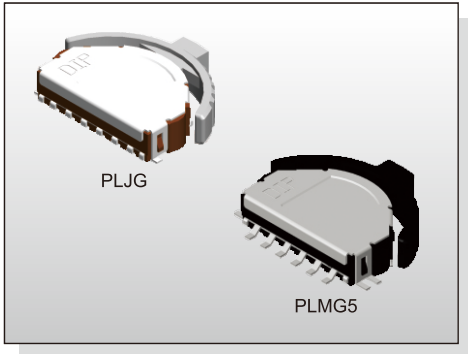


PL3-BC



MULTI FUNCTION SWITCH PL SERIES

Push & Lever Type



FEATURES

※Multi function (Push & Lever)

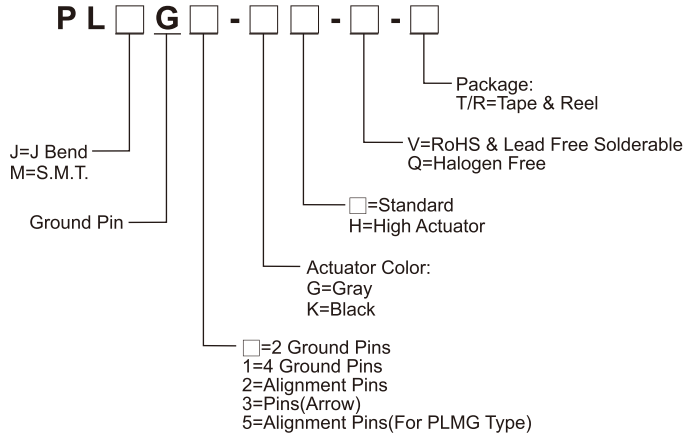
APPLICATION

※Remote controls
※Volume control for variety of applications

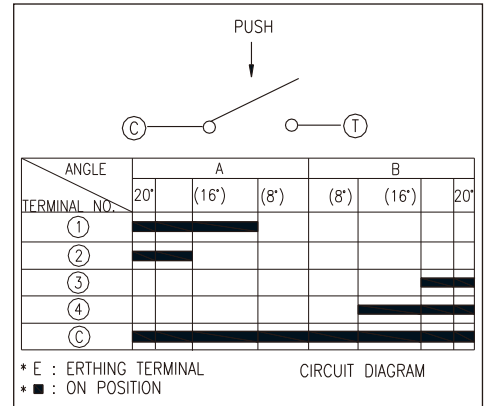
SPECIFICATION

Contact Rating	10mA, 5V DC
Contact Resistance	100mΩ max.
Insulation Resistance	100MΩ min. 100V DC
Dielectric Strength	100V AC/1 minute
Operating Force	40±20gf, Return actuator 150+100/-50gf, Center push direction
Operating Life	100,000 cycles
Operating Temp.	-10°C ~ +70°C
Storage Temp.	-25°C ~ +85°C

HOW TO ORDER



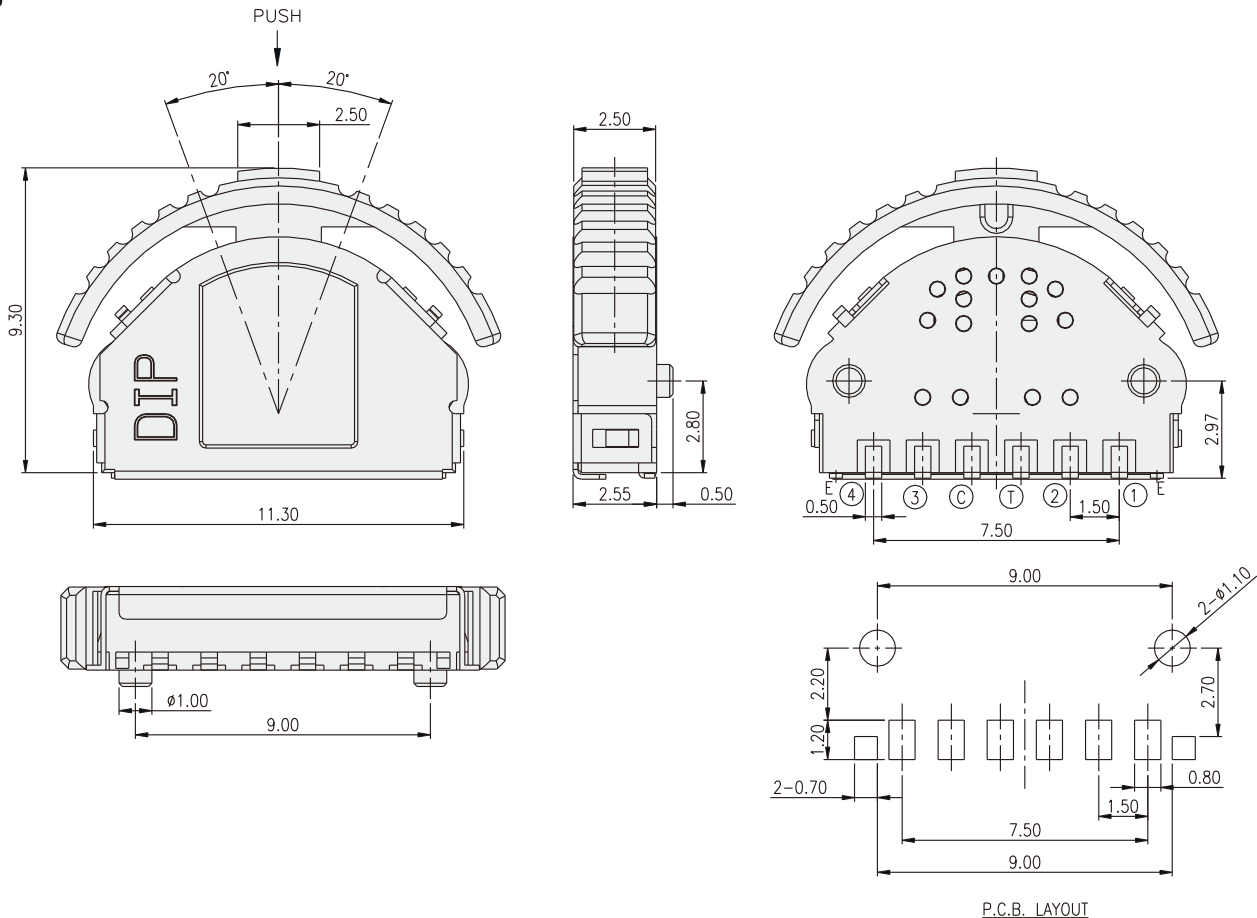
CIRCUIT



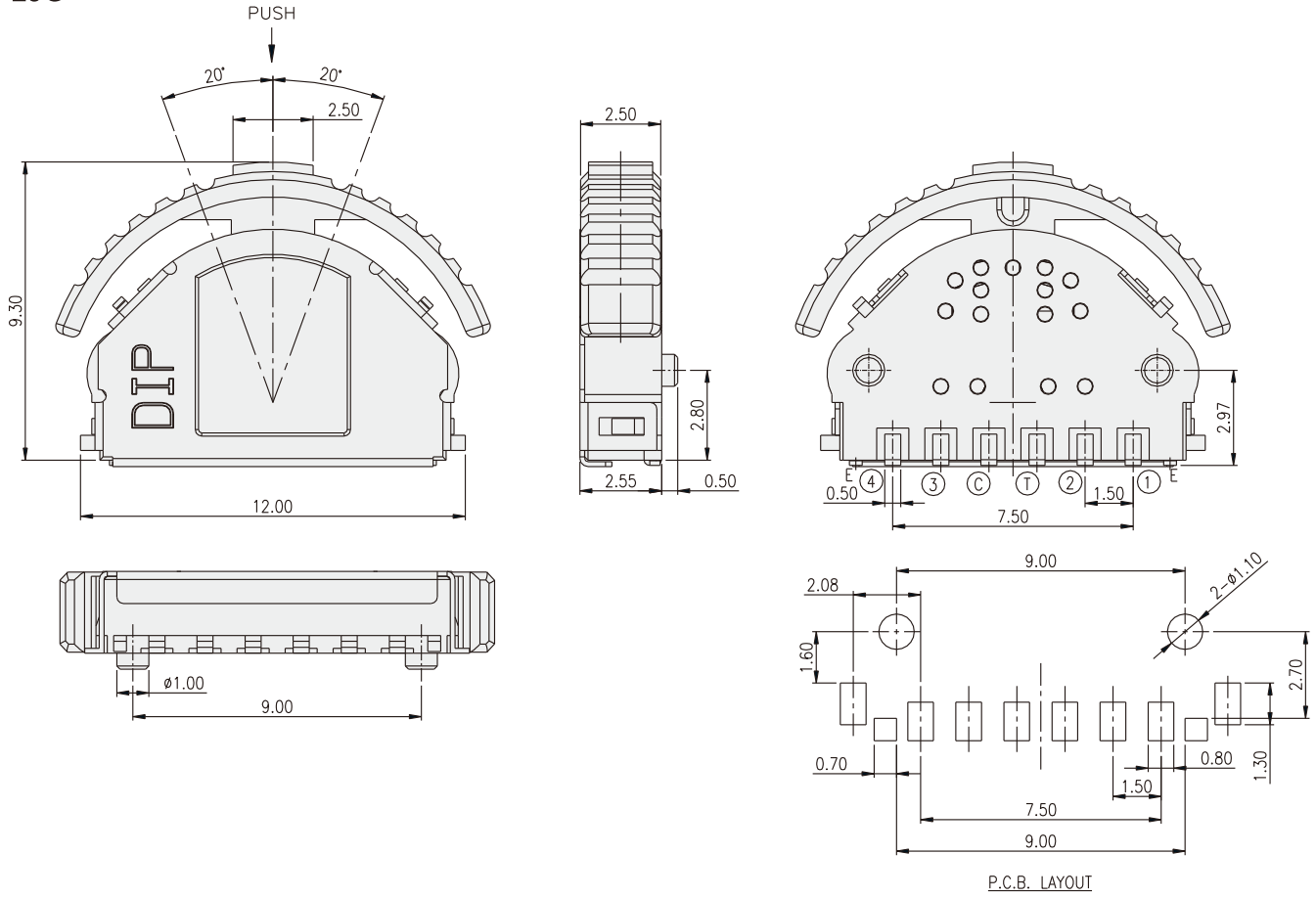
PACKAGE

<Tape & Reel>
 PLJ(G), PLJG1: 1000 pcs
 PLJG(2)(3): 800 pcs
 PLMG5: 750 pcs

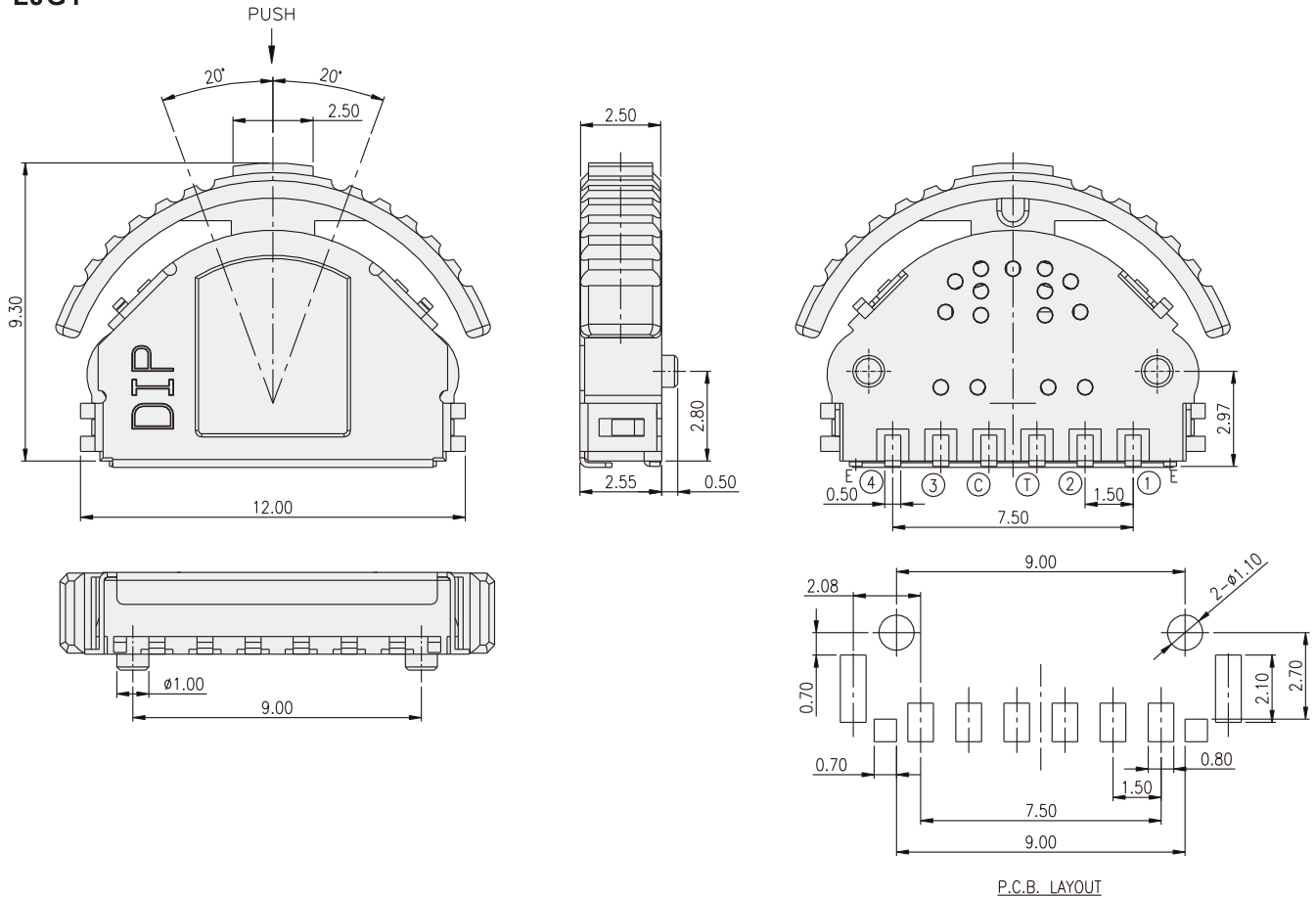
PLJ



PLJG



PLJG1

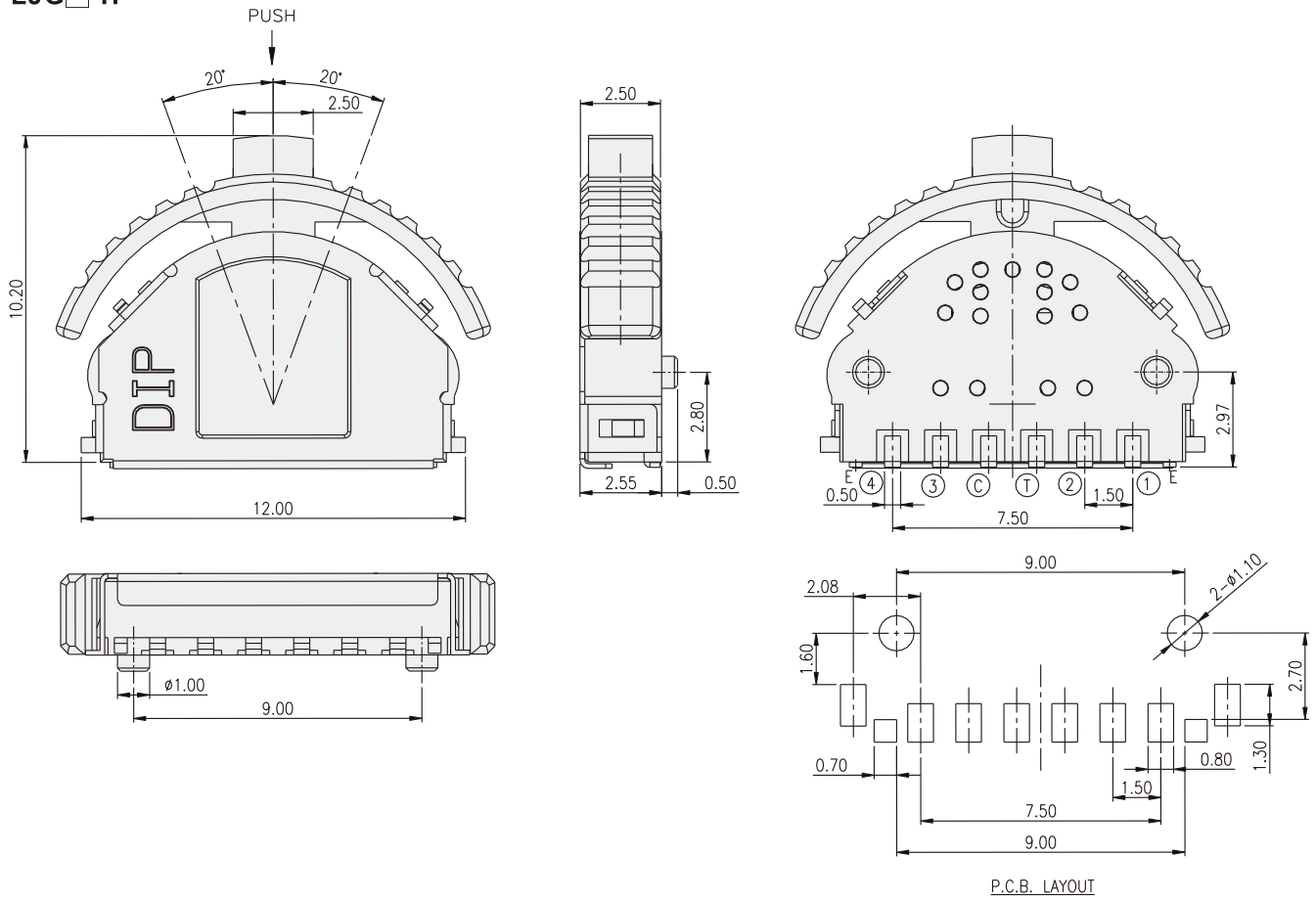


MULTI FUNCTION SWITCH
PL SERIES

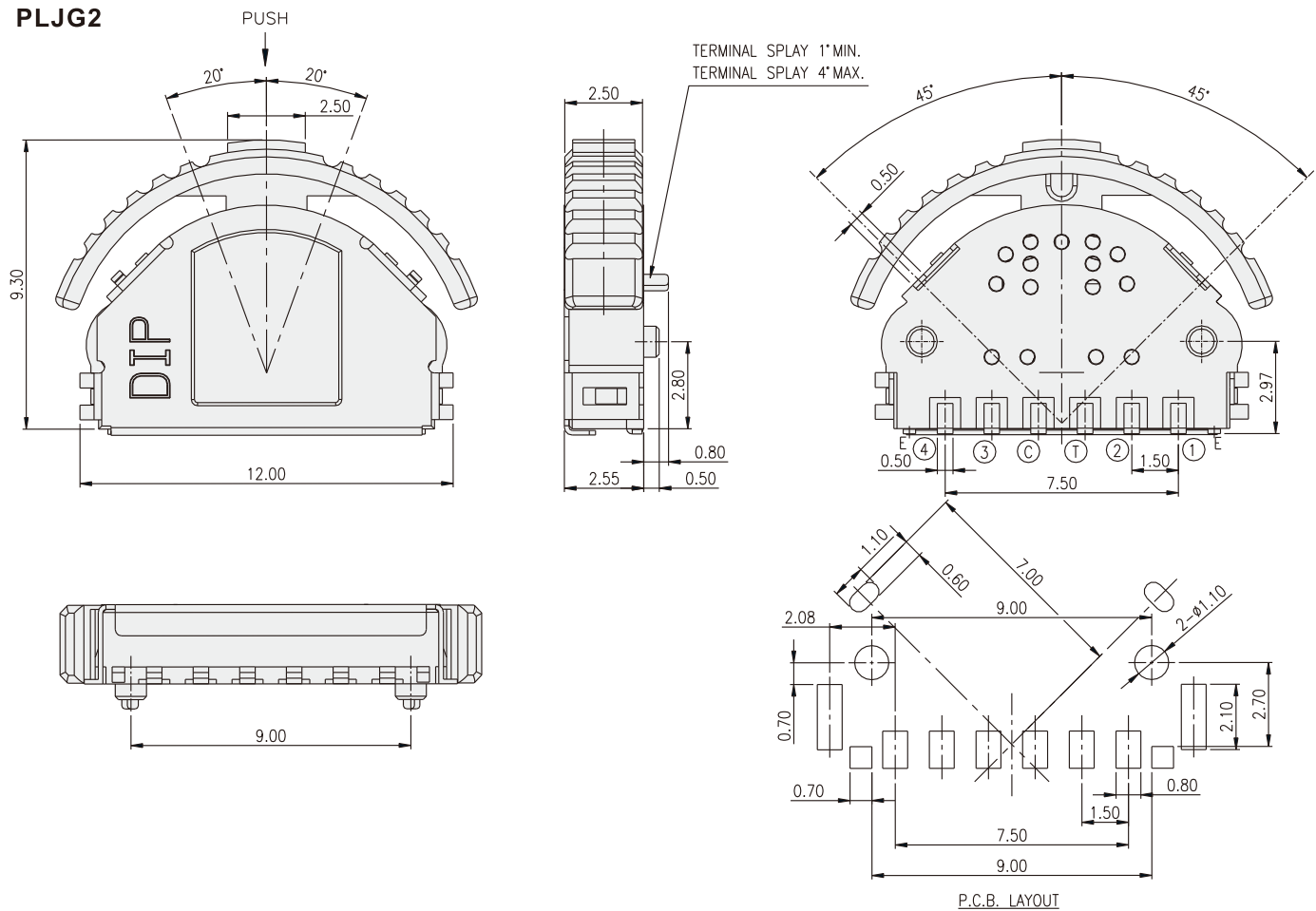
Push & Lever
Type



PLJG□-H

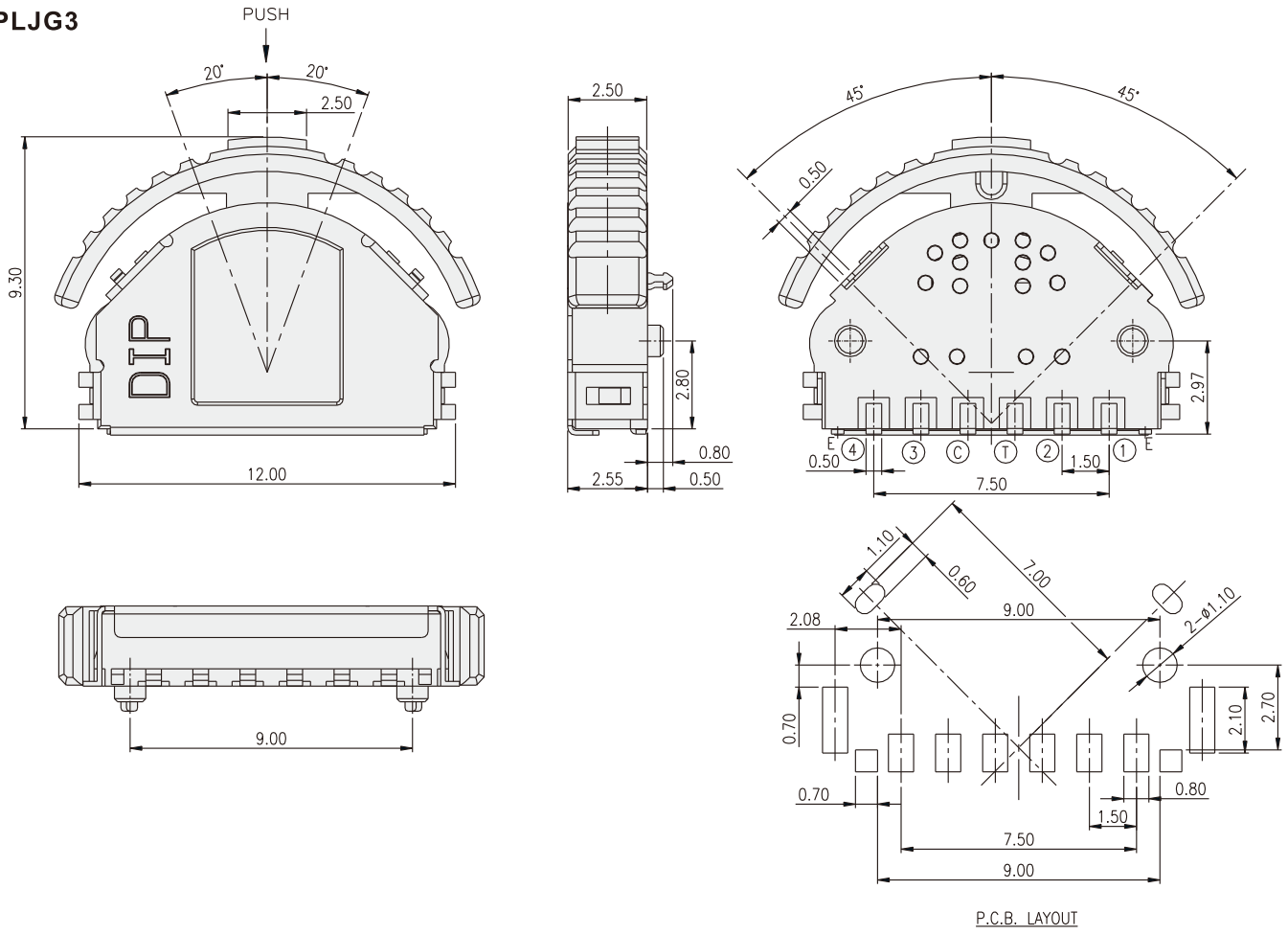


PLJG2

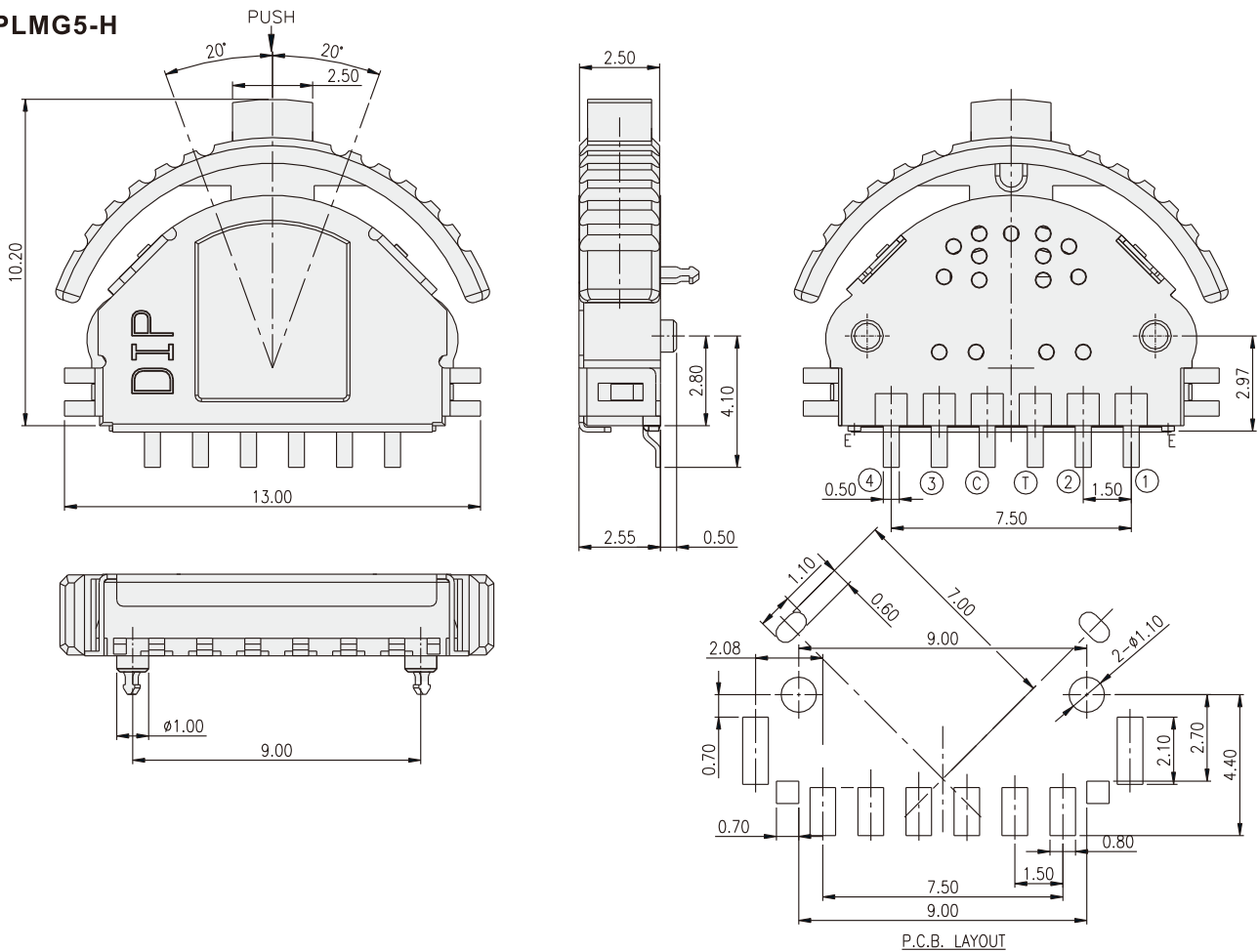


MULTI FUNCTION SWITCH

PLJG3

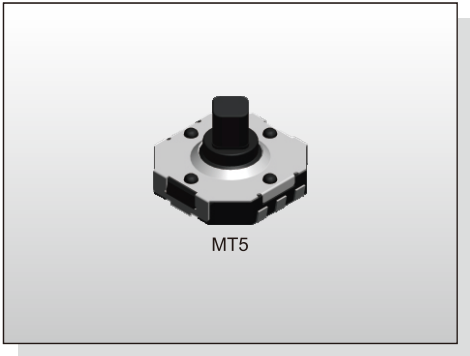


PLMG5-H



MULTI FUNCTION SWITCH MT(4)(5) SERIES

Multi-direction
Type



FEATURES

- ※7.4x7.7mm
- ※Variety of height options
- ※Reflow solderable

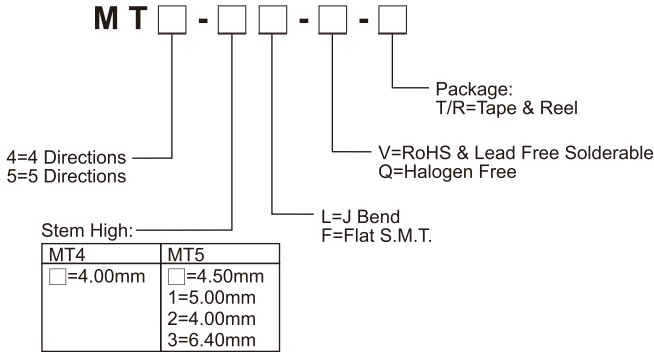
APPLICATION

- ※Medical device
- ※Consumer electronics
- ※Security device

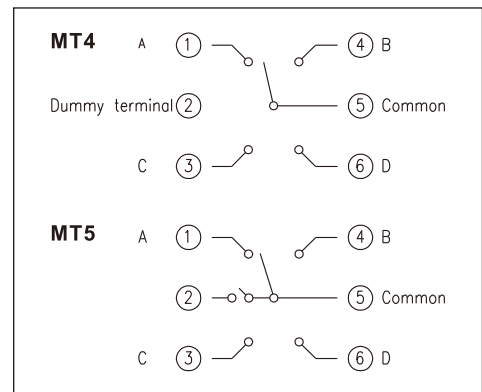
SPECIFICATION

Contact Rating	50mA, 12V DC
Contact Resistance	100mΩ max.
Insulation Resistance	100MΩ min. 100V DC
Dielectric Strength	250V AC/1 minute
Operating Force	160gf, 4-direction 360gf, Center push
Travel	0.25mm, 4-direction 0.15mm, Center push
Operating Life	100,000 cycles
Operating Temp.	-25°C ~ +70°C
Storage Temp.	-40°C ~ +85°C

HOW TO ORDER



CIRCUIT



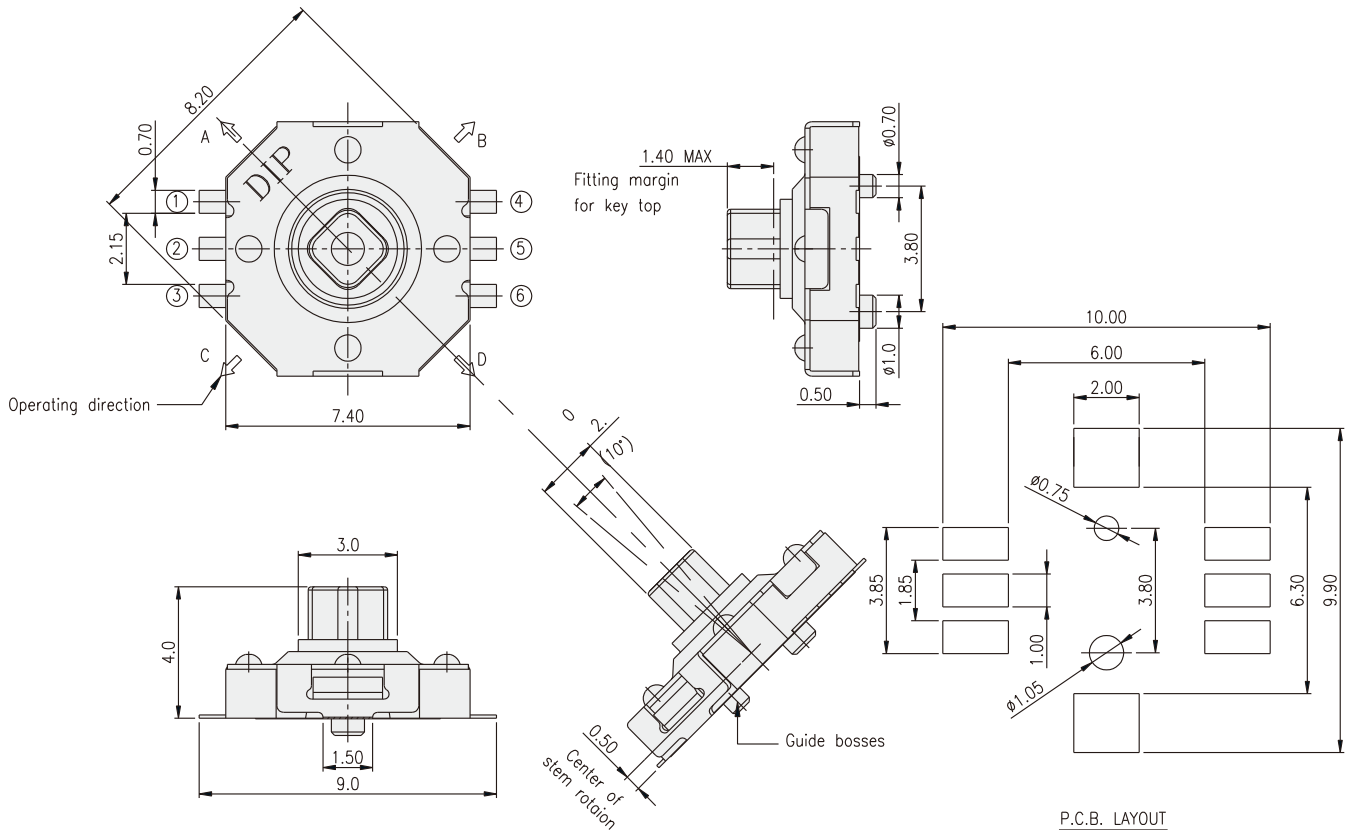
PACKAGE

<Tape & Reel>

850 pcs

MT5-3: 800 pcs

MT4-F

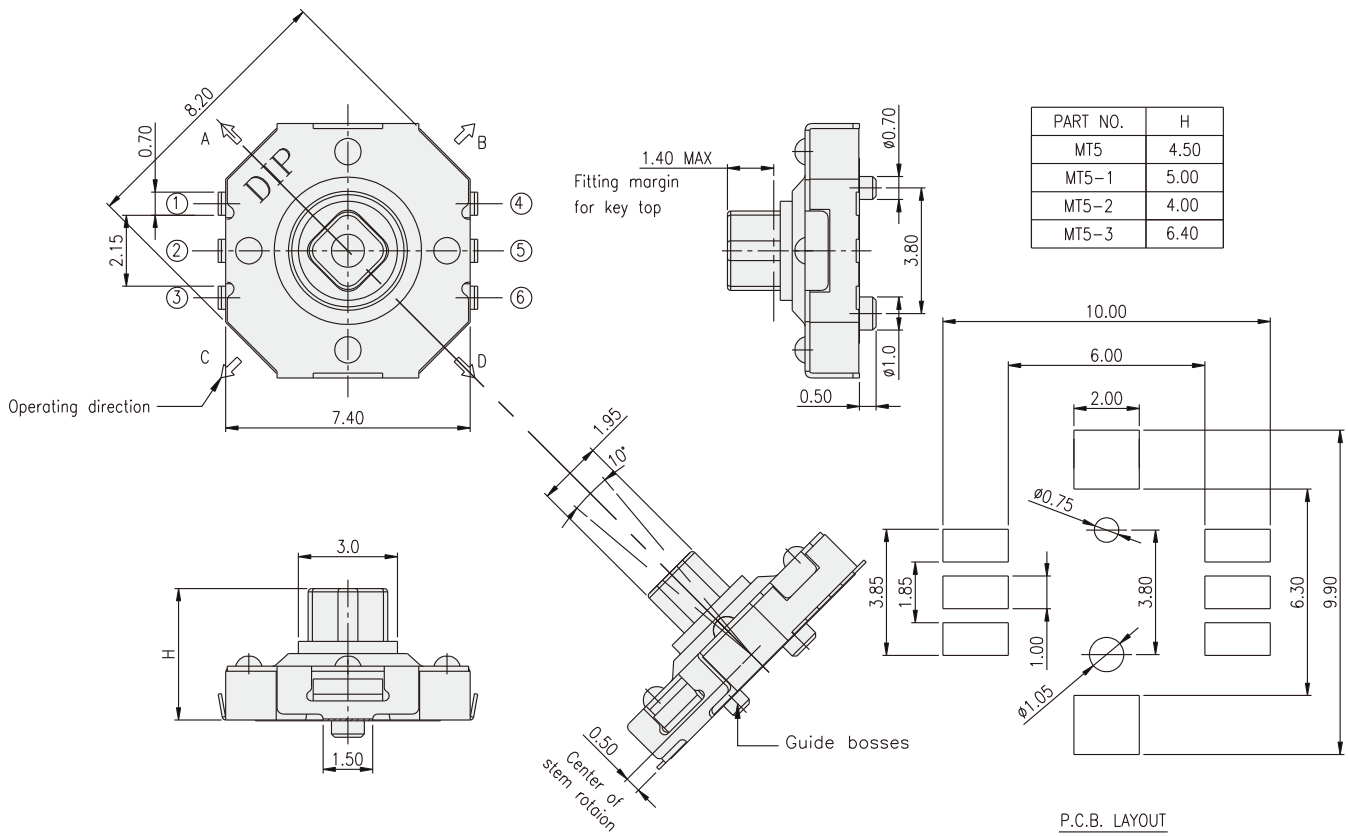


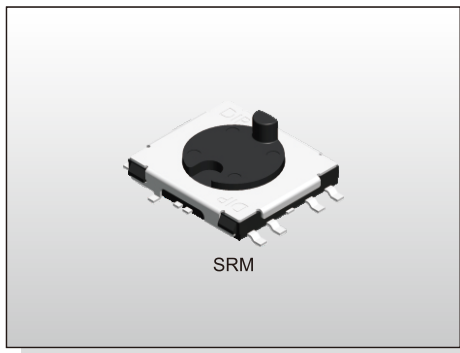
MULTI FUNCTION SWITCH
MT(4)(5) SERIES

**Multi-direction
 Type**



MT5-L





FEATURES

- ※Low profile
- ※Mode switching with maximum 8-direction
- ※Non-click structure applicable

APPLICATION

- ※Thermal controller
- ※Camera
- ※Audio

SPECIFICATION

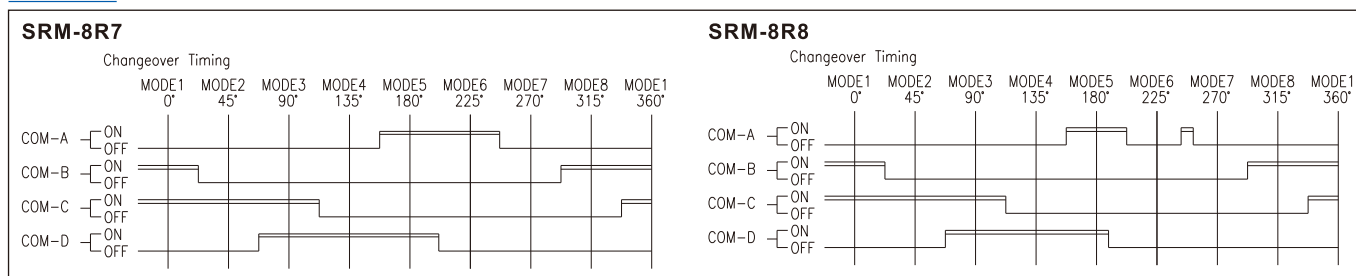
Contact Rating	25mA, 24V DC
Contact Resistance	200mΩ max.
Insulation Resistance	100MΩ min. 500V DC
Dielectric Strength	300V AC/1 minute
Operating Force	40±30gf, B 130±50gf, N
Operating Life	10,000 cycles
Operating Temp.	-25°C ~ +80°C
Storage Temp.	-40°C ~ +85°C

HOW TO ORDER

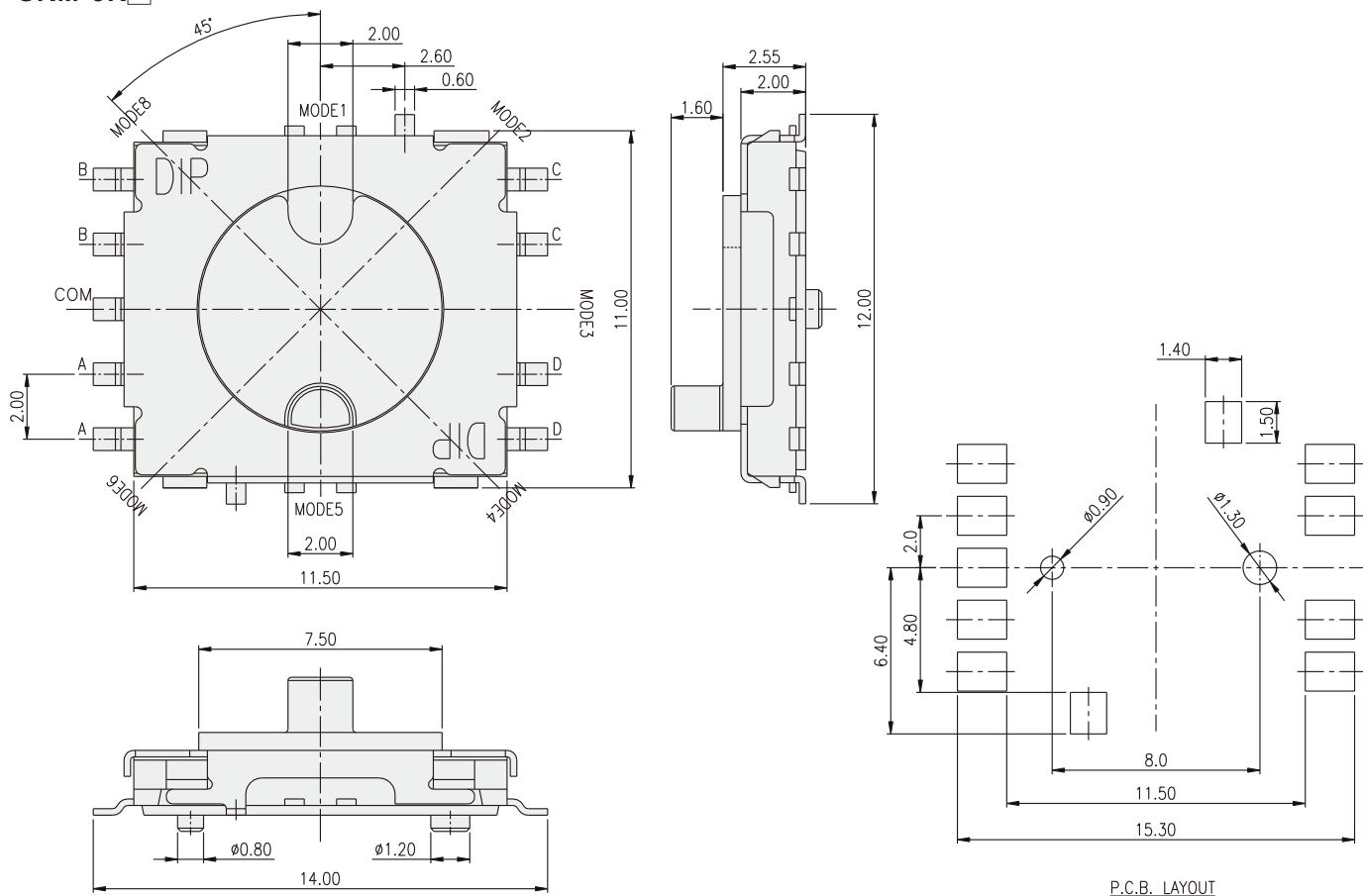
S R M - 8 R □ □ □ - V - □

- 8 Direction
- Package: T/R=Tape & Reel
- RoHS & Lead Free Solderable
- =Non-click, Black
B=40gf, Blue
N=130gf, Brown
- =Without Ground Pin
G=With Ground Pin

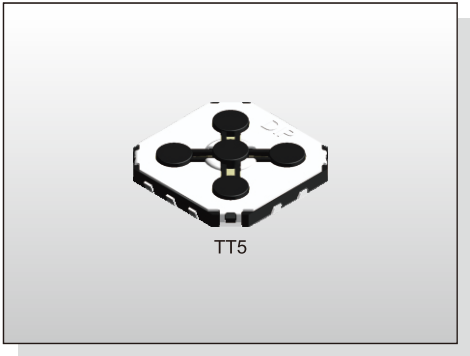
CIRCUIT



SRM-8R□



MULTI FUNCTION SWITCH



TT5

FEATURES

- ※Low-Profile of height 1.55mm
- ※Sharp operation feeling

APPLICATION

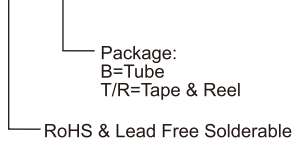
- ※Portable electronic devices
- ※Remote control
- ※Industrial applications

SPECIFICATION

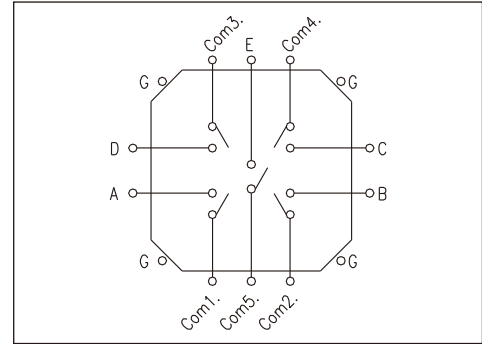
Contact Rating	50mA, 12V DC
Contact Resistance	100mΩ max.
Insulation Resistance	100MΩ min. 500V DC
Dielectric Strength	250V AC/1 minute
Operating Force	180±60gf, Side 320+80/-60gf, Center
Travel	0.25mm
Operating Life	200,000 cycles
Operating Temp.	-20°C ~ +70°C
Storage Temp.	-40°C ~ +85°C

HOW TO ORDER

TT5-V-



CIRCUIT



PACKAGE

- <Tube>
47 pcs
- <Tape & Reel>
2500 pcs

TT5

