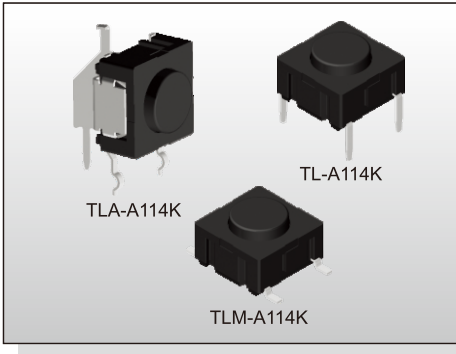


TACT SWITCH TL(A)-A1 SERIES

10x10
High Reliability



FEATURES

- ✧ Sealed
- ✧ Long life of 10million
- ✧ Variety of actuator lengths

APPLICATION

- ✧ Music instrument
- ✧ Intercom system
- ✧ Industrial

SPECIFICATION

Contact Rating	0.5~50mA, 24V DC
Contact Resistance	30mΩ max.
Insulation Resistance	10MΩ min. 100V DC
Dielectric Strength	250V AC/1 minute
Operating Force	300±75gf
Travel	1mm
Operating Life	10,000, 000 cycles
Operating Temp.	-40°C ~ +160°C
Storage Temp.	-40°C ~ +160°C

HOW TO ORDER

TL - A 1 1 4 K - Q -

Solder Type:
=Through Hole
M=S.M.T.
A=Right Angle

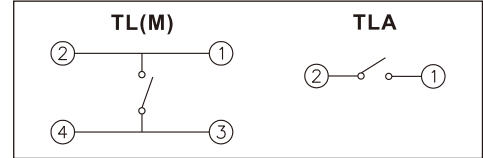
Package:
B=Tube
(For Through Hole Type)
T/R=Tape & Reel(For S.M.T. Type)

Halogen Free

Button Color:
Black

Operating Force:
300gf

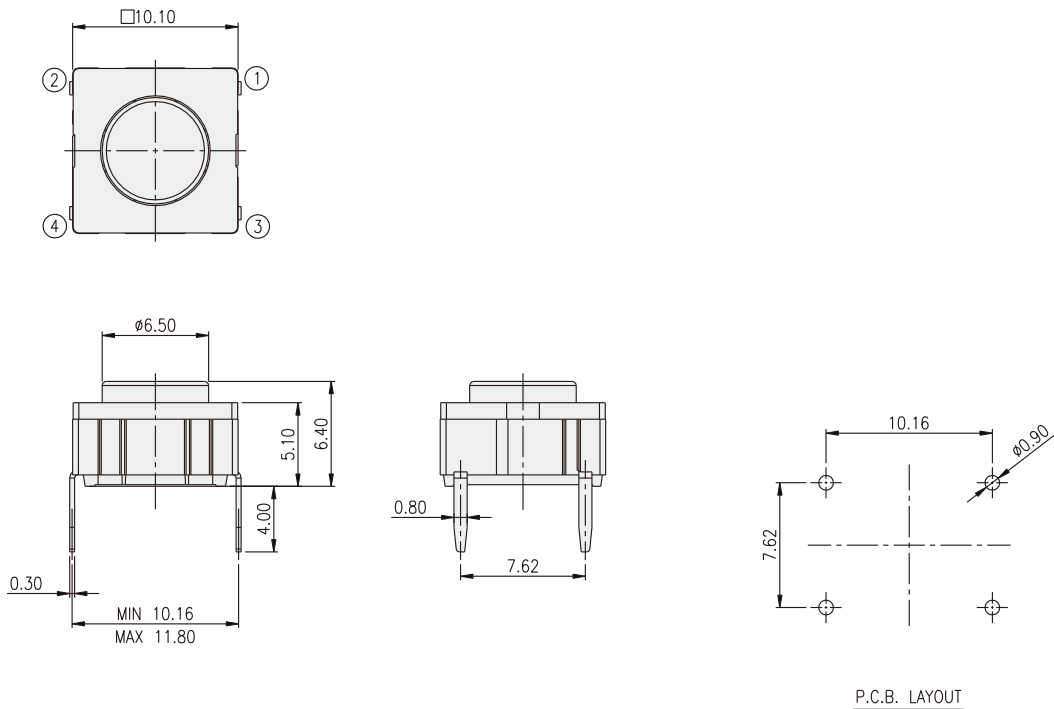
CIRCUIT



PACKAGE

<Tube>
TL(A): 45 pcs
<Tape & Reel>
TLM: 650 pcs

TL-A114K

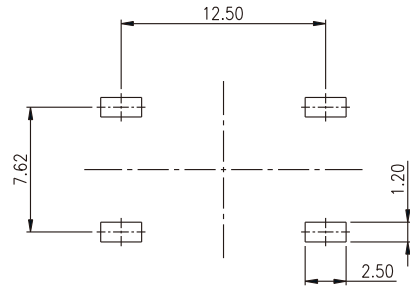
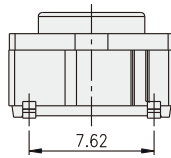
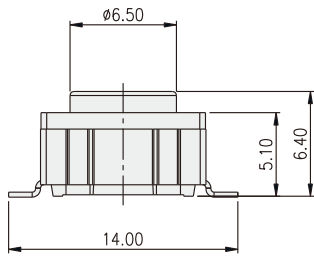
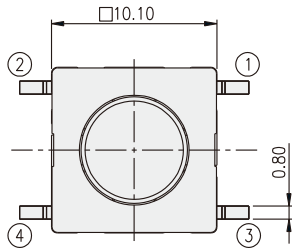


TACT SWITCH
TL()-A1 SERIES

10x10
High Reliability



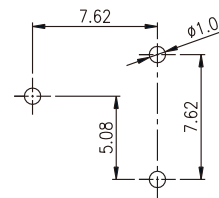
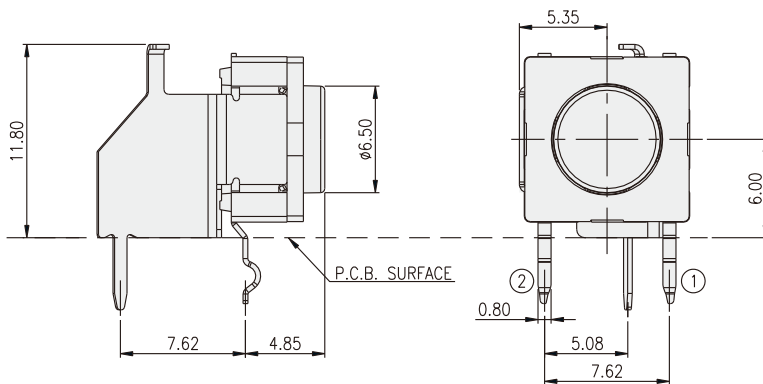
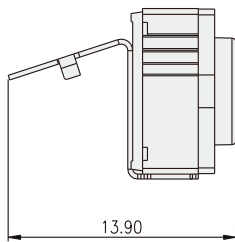
TLM-A114K



P.C.B. LAYOUT

TACT SWITCH

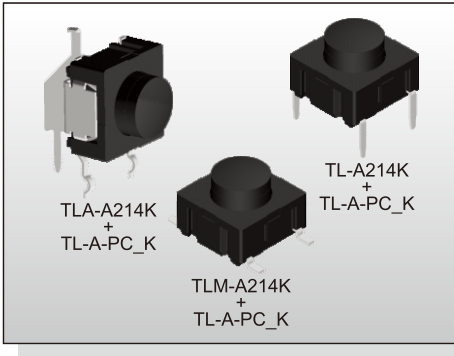
TLA-A114K



P.C.B. LAYOUT

TACT SWITCH TL(A)-A2 SERIES

10x10
High Reliability



FEATURES

- ※ Sealed
- ※ Long life of 10million
- ※ Variety of actuator lengths

APPLICATION

- ※ Music instrument
- ※ Intercom system
- ※ Industrial

SPECIFICATION

Contact Rating	0.5~50mA, 24V DC
Contact Resistance	30mΩ max.
Insulation Resistance	10MΩ min. 100V DC
Dielectric Strength	250V AC/1 minute
Operating Force	300±75gf
Travel	1mm
Operating Life	10,000, 000 cycles
Operating Temp.	-40°C ~ +160°C
Storage Temp.	-40°C ~ +160°C

HOW TO ORDER

TL □ - A 2 1 4 K - Q - □ + TL - A - PC □ K

□=Through Hole
M=S.M.T.
A=Right Angle

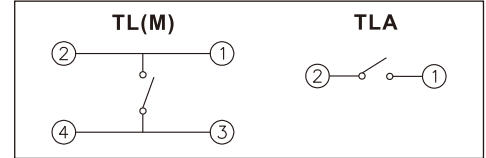
Package:
B=Tube
(For Through Hole Type)
T/R=Tape & Reel(For S.M.T. Type)

Halogen Free

Button Color:
Black

Operating Force:
300gf

CIRCUIT



PACKAGE

<Tube>

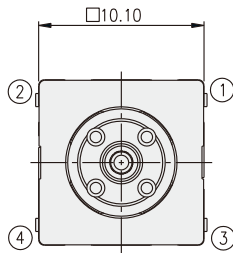
TL(A): 45 pcs

<Tape & Reel>

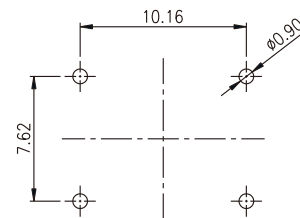
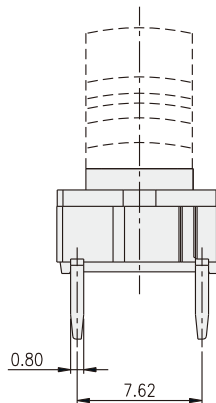
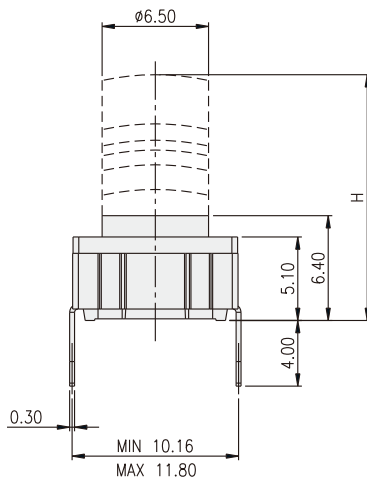
TLM: 650 pcs

TACT SWITCH

TL-A214K+TL-A-PC□K



PART NO.	H
TL-A214K-Q-B+TL-A-PC1K	8.00
TL-A214K-Q-B+TL-A-PC2K	9.50
TL-A214K-Q-B+TL-A-PC3K	10.40
TL-A214K-Q-B+TL-A-PC4K	11.00
TL-A214K-Q-B+TL-A-PC5K	12.00
TL-A214K-Q-B+TL-A-PC6K	15.00



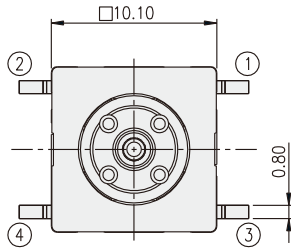
P.C.B. LAYOUT

TACT SWITCH
TL()-A2 SERIES

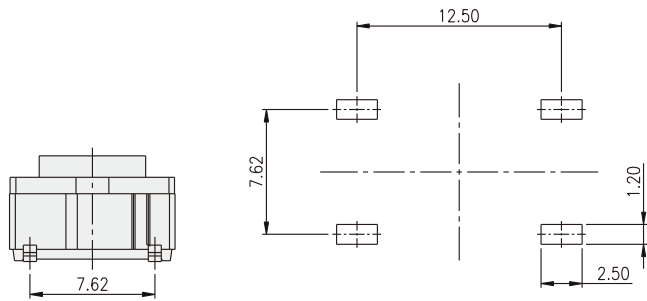
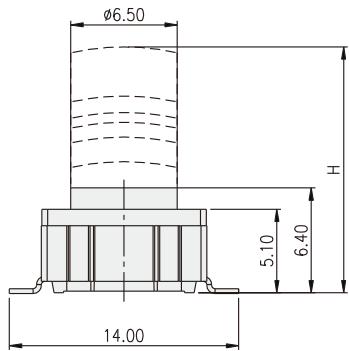
10x10
High Reliability



TLM-A214K+TL-A-PC□K



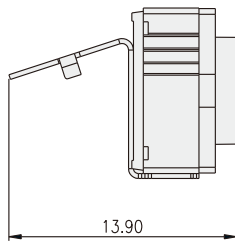
PART NO.	H
TLM-A214K-Q-B+TL-A-PC1K	8.00
TLM-A214K-Q-B+TL-A-PC2K	9.50
TLM-A214K-Q-B+TL-A-PC3K	10.40
TLM-A214K-Q-B+TL-A-PC4K	11.00
TLM-A214K-Q-B+TL-A-PC5K	12.00
TLM-A214K-Q-B+TL-A-PC6K	15.00



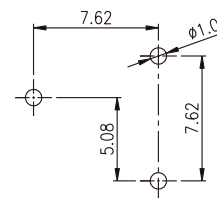
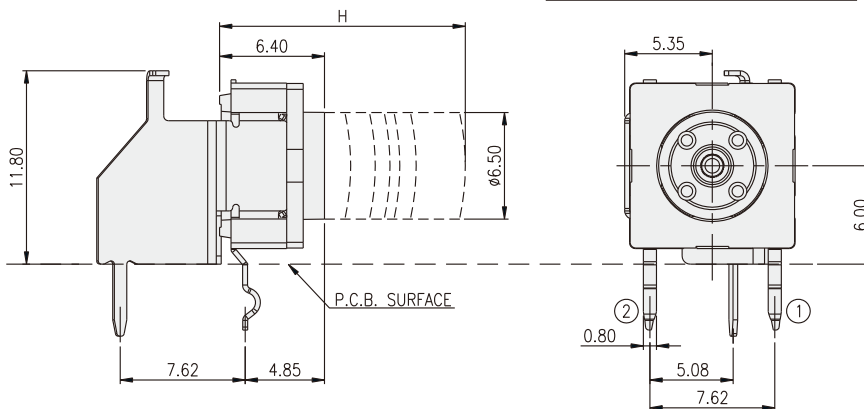
P.C.B. LAYOUT

TACT SWITCH

TLA-A214K+TL-A-PC□K



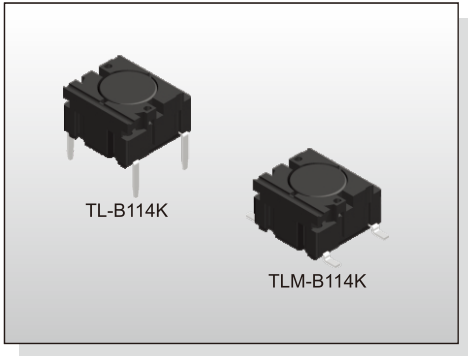
PART NO.	H
TLA-A214K-Q-B+TL-A-PC1K	8.00
TLA-A214K-Q-B+TL-A-PC2K	9.50
TLA-A214K-Q-B+TL-A-PC3K	10.40
TLA-A214K-Q-B+TL-A-PC4K	11.00
TLA-A214K-Q-B+TL-A-PC5K	12.00
TLA-A214K-Q-B+TL-A-PC6K	15.00



P.C.B. LAYOUT

TACT SWITCH
TL()-B1 SERIES

10x10
High Reliability



FEATURES

- ✘ Sealed
- ✘ Long life of 10million
- ✘ Variety of actuator lengths

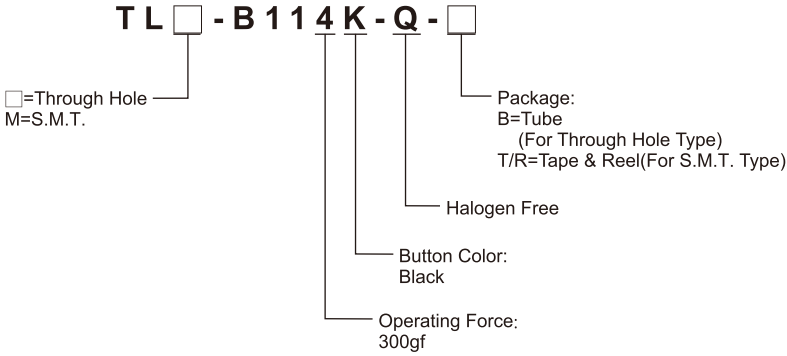
APPLICATION

- ✘ Music instrument
- ✘ Intercom system
- ✘ Industrial

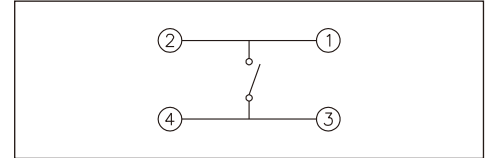
SPECIFICATION

Contact Rating	0.5~50mA, 24V DC
Contact Resistance	30mΩ max.
Insulation Resistance	10MΩ min. 100V DC
Dielectric Strength	250V AC/1 minute
Operating Force	300±75gf
Travel	1mm
Operating Life	10,000, 000 cycles
Operating Temp.	-40°C ~ +160°C
Storage Temp.	-40°C ~ +160°C

HOW TO ORDER



CIRCUIT

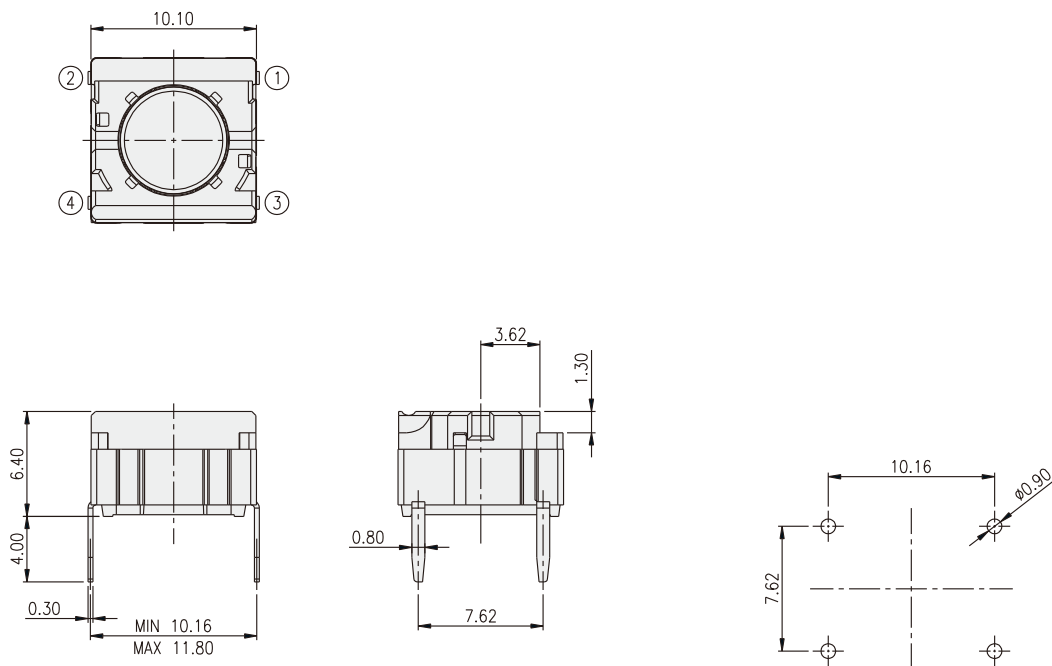


PACKAGE

<Tube>
TL: 45 pcs
<Tape & Reel>
TLM: 650 pcs

TACT SWITCH

TL-B114K

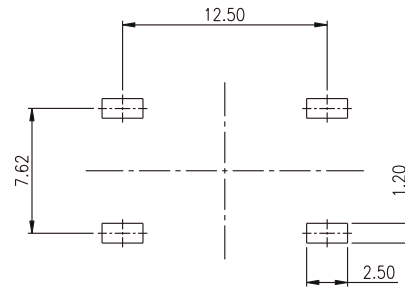
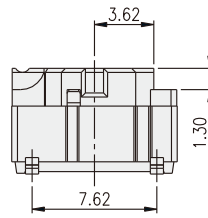
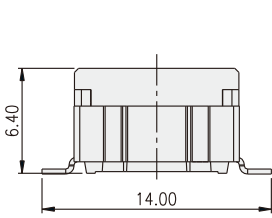
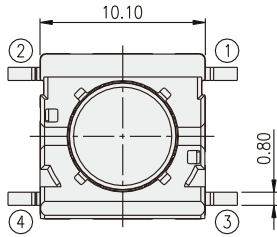


TACT SWITCH
TL()-B1 SERIES

10x10
High Reliability

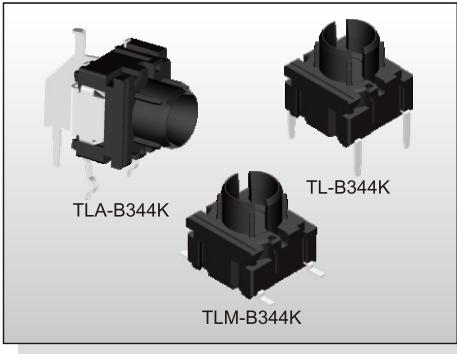


TLM-B114K



P.C.B. LAYOUT

TACT SWITCH



FEATURES

- ✘ Sealed
- ✘ Long life of 10million
- ✘ Variety of actuator lengths

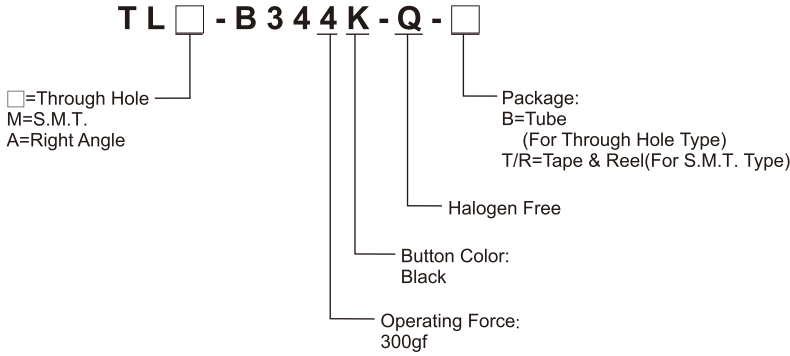
APPLICATION

- ✘ Music instrument
- ✘ Intercom system
- ✘ Industrial

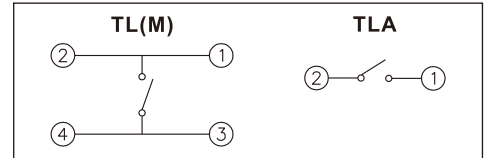
SPECIFICATION

Contact Rating	0.5~50mA, 24V DC
Contact Resistance	30mΩ max.
Insulation Resistance	10MΩ min. 100V DC
Dielectric Strength	250V AC/1 minute
Operating Force	300±75gf
Travel	1mm
Operating Life	10,000, 000 cycles
Operating Temp.	-40°C ~ +160°C
Storage Temp.	-40°C ~ +160°C

HOW TO ORDER



CIRCUIT

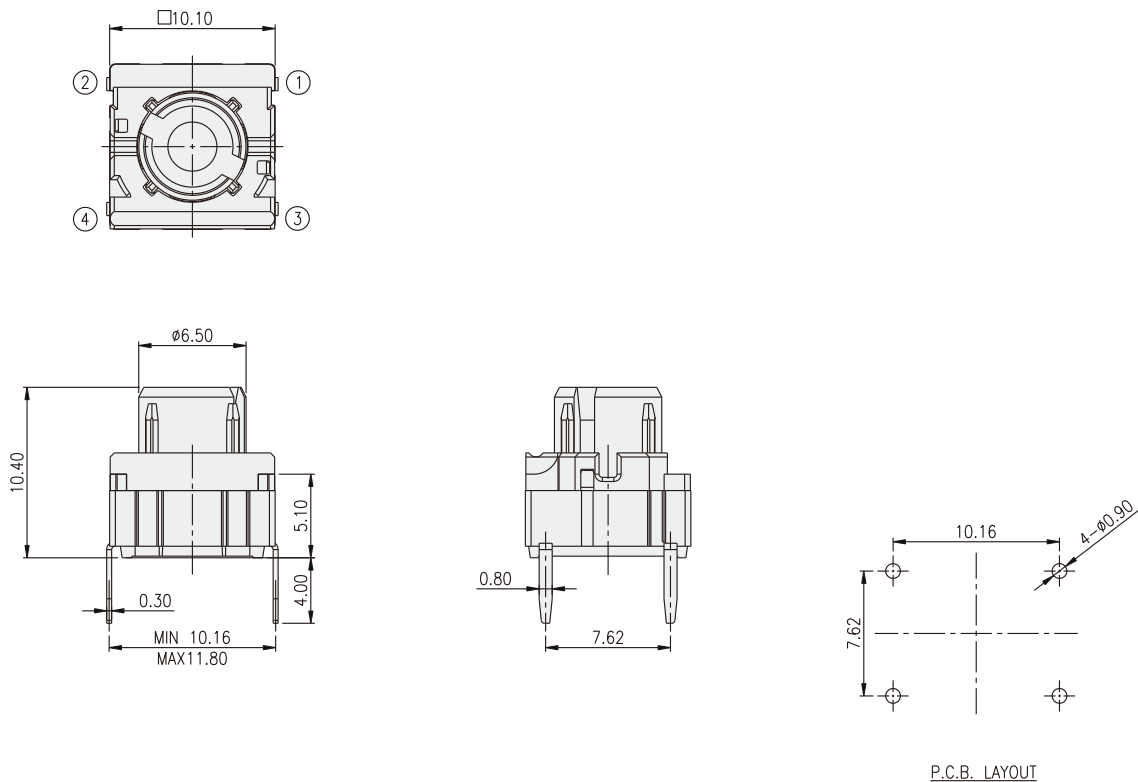


PACKAGE

<Tube>
 TL(A): 45 pcs
 <Tape & Reel>
 TLM: 300 pcs

TACT SWITCH

TL-B344K

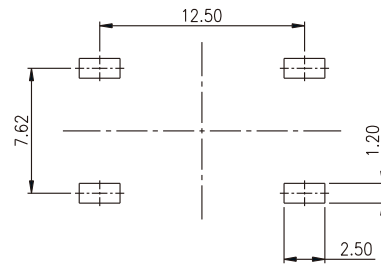
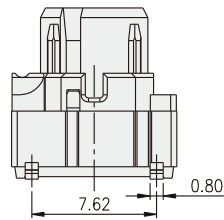
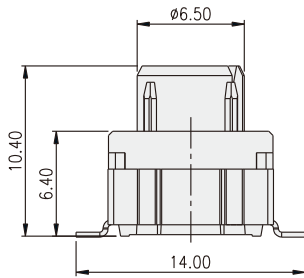
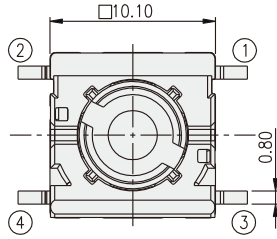


TACT SWITCH
TL()-B344 SERIES

10x10
High Reliability



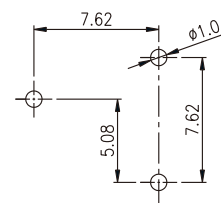
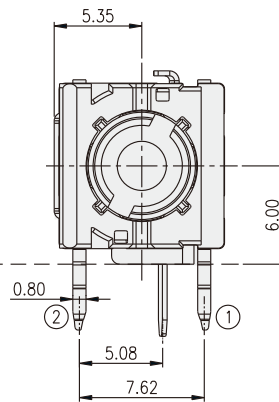
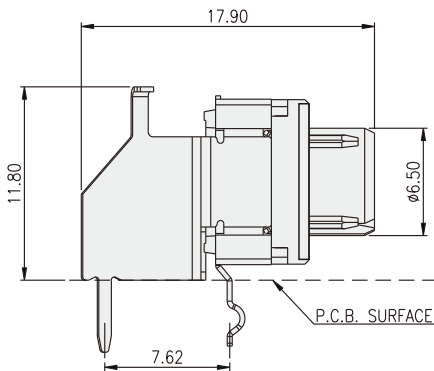
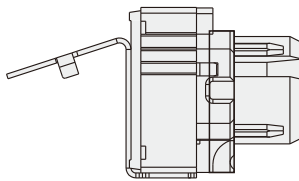
TLM-B344K



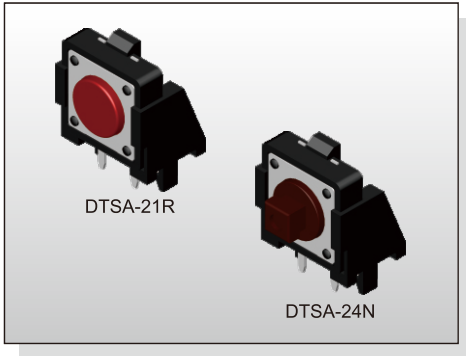
P.C.B. LAYOUT

TACT SWITCH

TLA-B344K



P.C.B. LAYOUT



FEATURES

- ※High reliable metal contacts
- ※Vertical operation available
- ※Cap options

APPLICATION

- ※Audio, OA equipment
- ※Instrumentation
- ※Industrial

SPECIFICATION

Contact Rating	50mA, 12V DC
Contact Resistance	100mΩ max.
Insulation Resistance	100MΩ min. 500V DC
Dielectric Strength	250V AC/1 minute
Operating Force	160±50gf, Brown(N) 260±50gf, Red(R) 320±80gf, Salmon(S) 520±130gf, Yellow(Y)
Travel	0.35mm
Operating Life	Phosphor Bronze Dome 100,000 cycles for 520/320/260gf 200,000 cycles for 160gf
	Stainless Steel Dome 300,000 cycles for 520/320gf 500,000 cycles for 260gf 1,000,000 cycles for 160gf
Operating Temp.	-25°C ~ +70°C
Storage Temp.	-30°C ~ +80°C

HOW TO ORDER

DTSA - 2 □ □ - □ - V

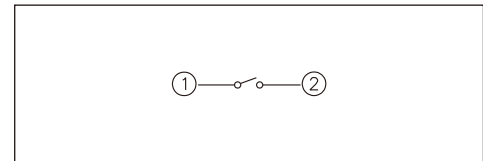
RoHS & Lead Free Solderable

□=Phosphor Bronze Dome
S=Stainless Steel Dome

Operating Force:
N=Brown, 160gf
R=Red, 260gf
S=Salmon, 320gf
Y=Yellow, 520gf

Dimension H:
1=3.65mm
4=6.45(SQ.)x3.8mm
5=7.85mm

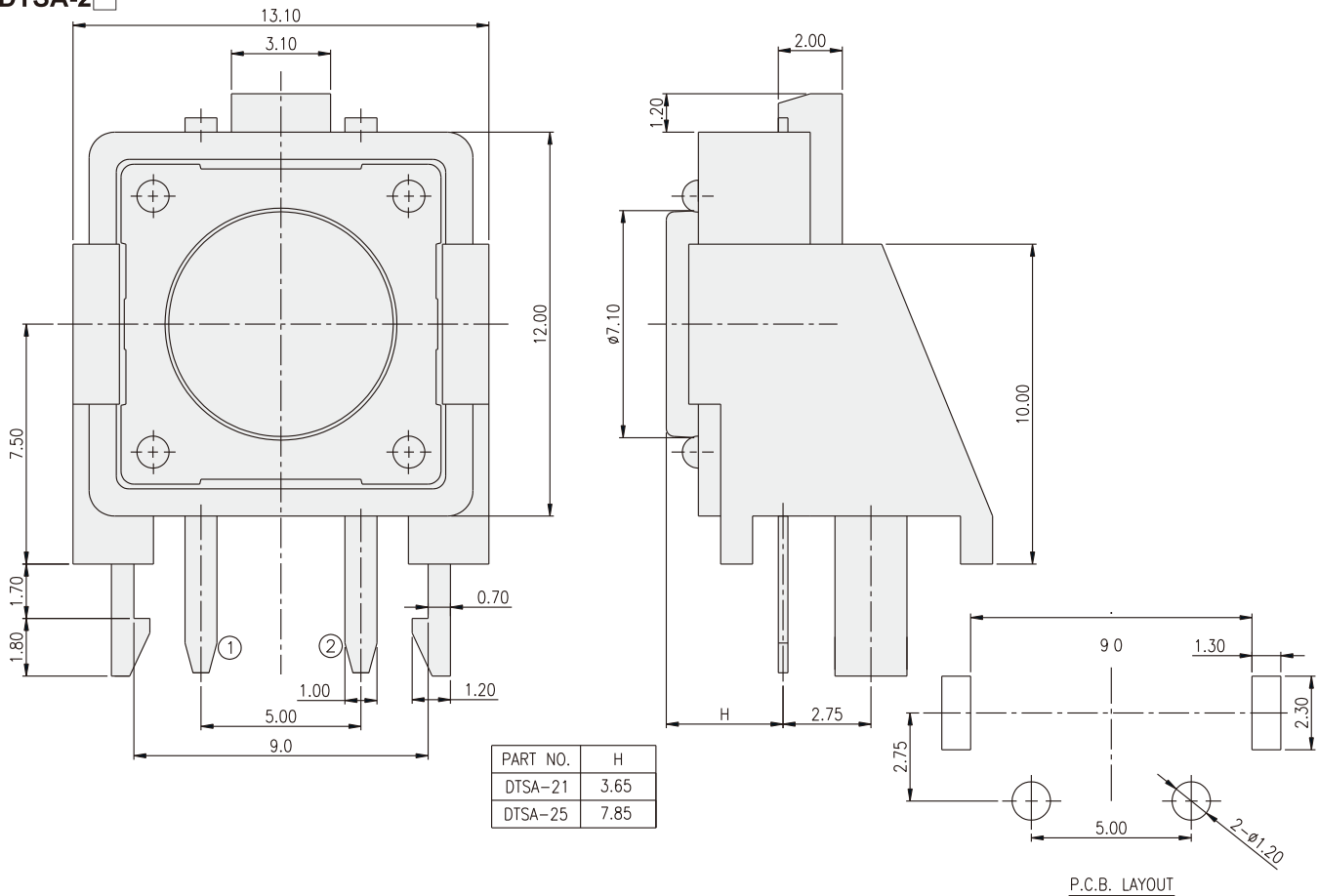
CIRCUIT



PACKAGE

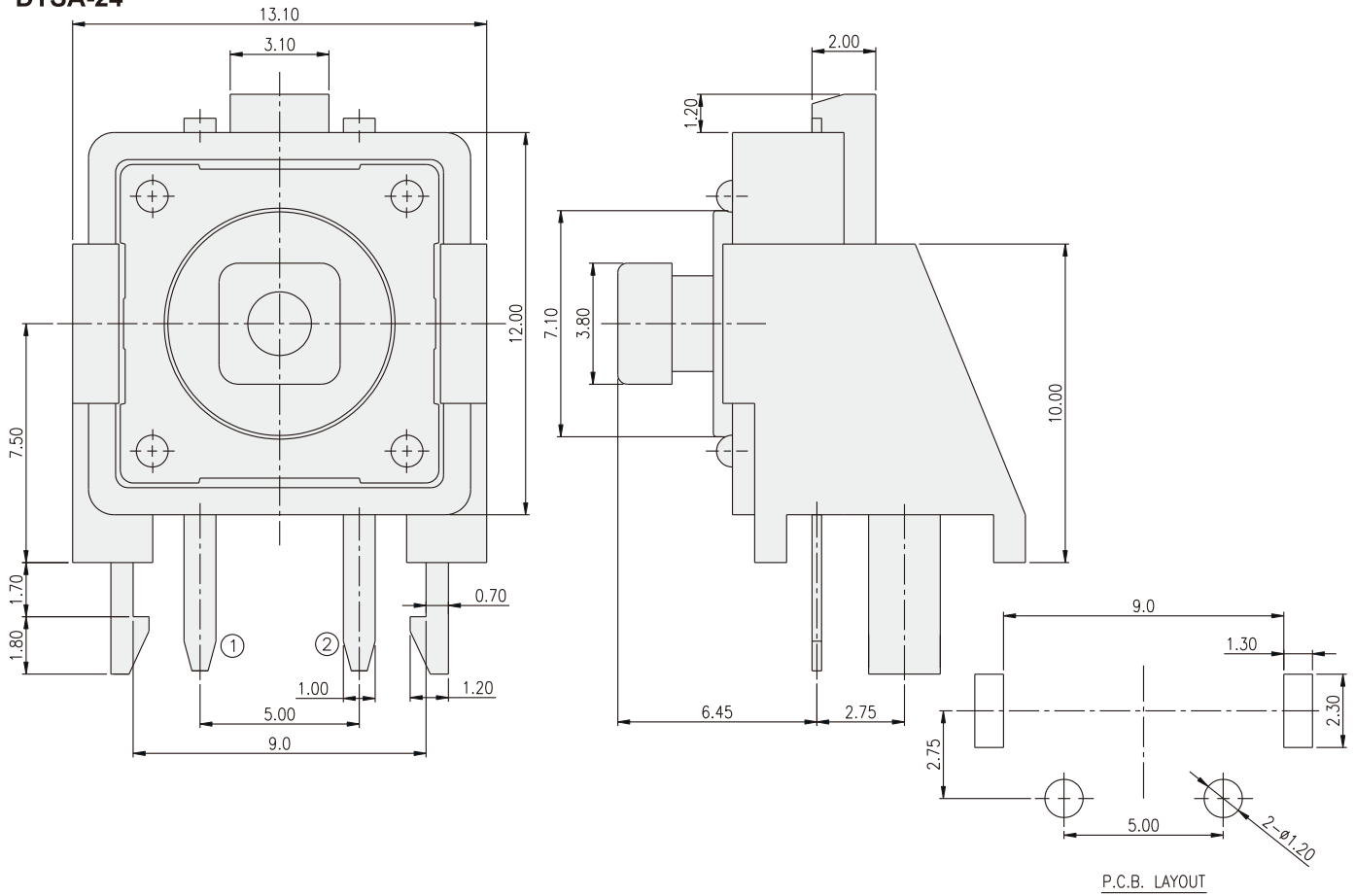
<Bag>
250 pcs

DTSA-2 □



TACT SWITCH

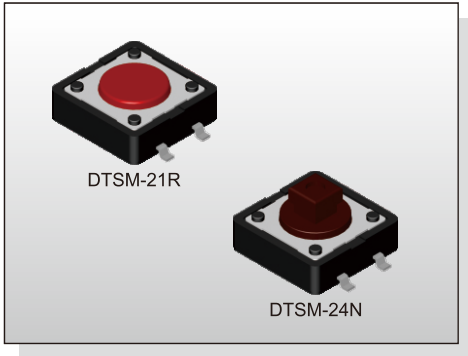
DTSA-24



TACT SWITCH

TACT SWITCH DTSM-2 SERIES

12x12
Surface Mounting Type



FEATURES

- ※High reliable metal contacts
- ※Reflow solderable
- ※Cap options

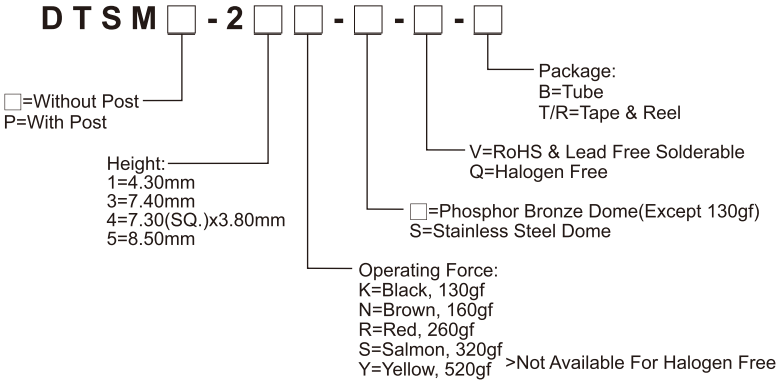
APPLICATION

- ※Audio, OA equipment
- ※Instrumentation
- ※Industrial

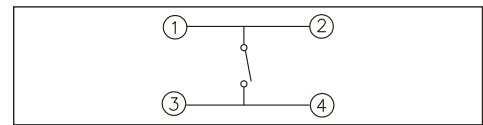
SPECIFICATION

Contact Rating	50mA, 12V DC
Contact Resistance	100mΩ max.
Insulation Resistance	100MΩ min. 500V DC
Dielectric Strength	250V AC/1 minute
Operating Force	130±50gf, Black(K) 160±50gf, Brown(N) 260±50gf, Red(R) 320±80gf, Salmon(S) 520±130gf, Yellow(Y)
Travel	0.35mm
Operating Life	Phosphor Bronze Dome 100,000 cycles for 520/320/260gf 200,000 cycles for 160gf
	Stainless Steel Dome 300,000 cycles for 520/320gf 500,000 cycles for 260gf 1,000,000 cycles for 160gf 10,000,000 cycles for 130gf
Operating Temp.	-25°C ~ +70°C
Storage Temp.	-30°C ~ +80°C

HOW TO ORDER



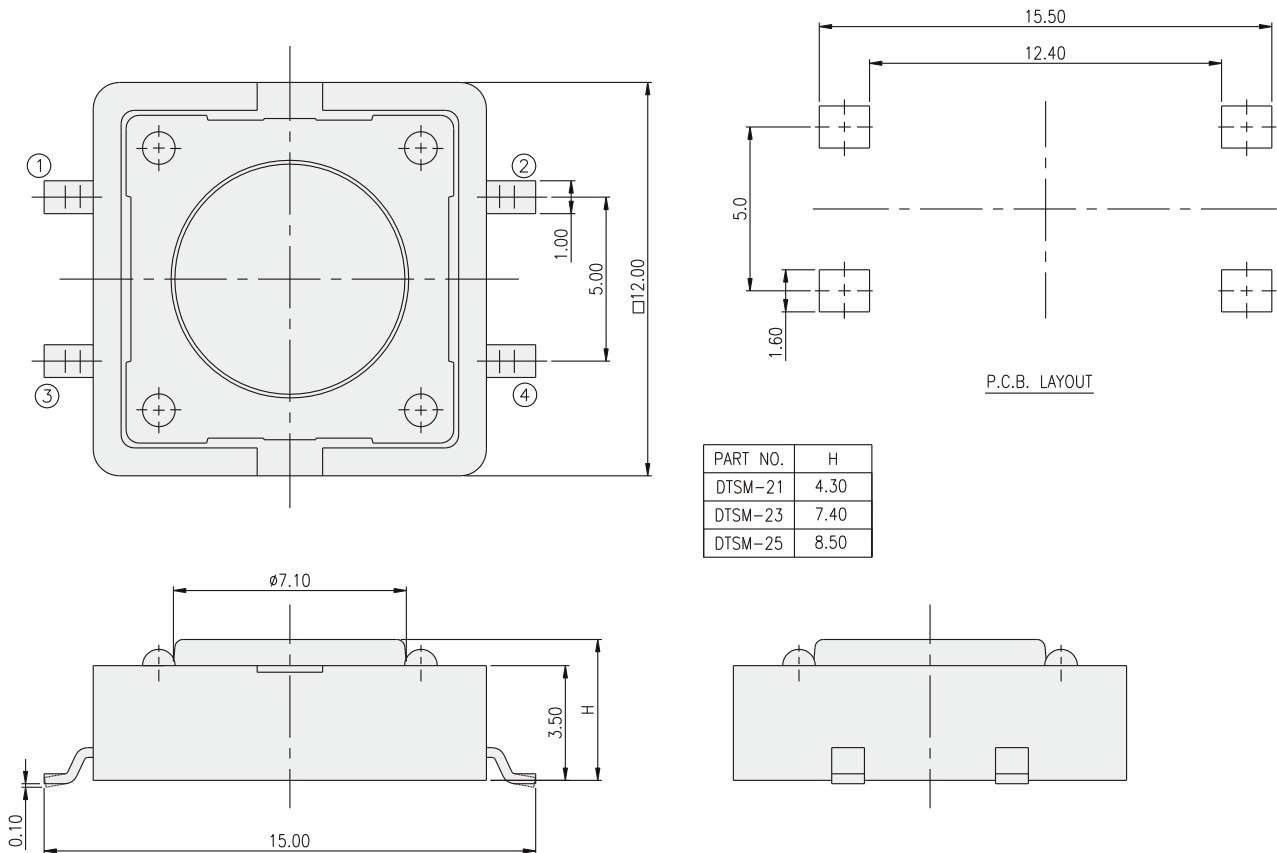
CIRCUIT



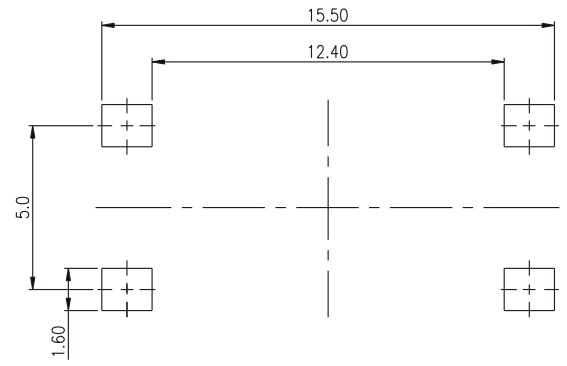
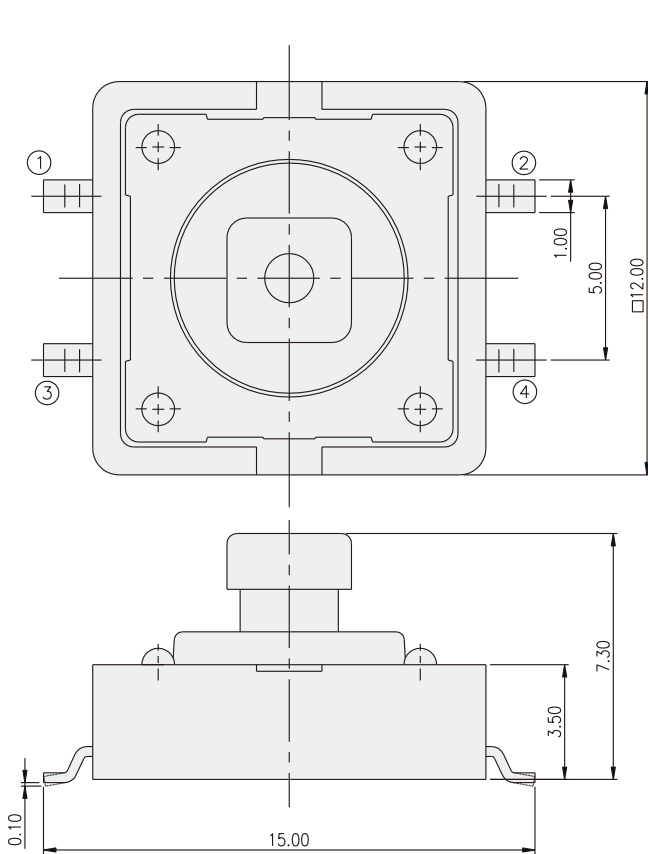
PACKAGE

<Tube> DTSM-2: 40 pcs DTSM-21: 700 pcs DTSM(P)-23, 24: 500 pcs DTSM(P)-25: 400 pcs	<Bag> DTSMP-21: 500 pcs
-------------------------------------------------------------------------------------------------------------	-----------------------------------------

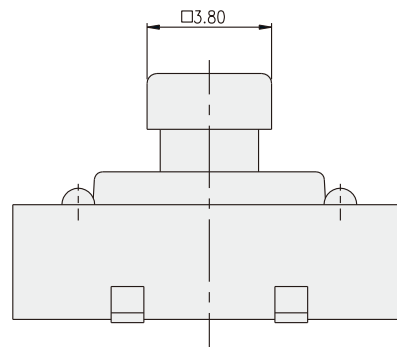
DTSM-2



DTSM-24

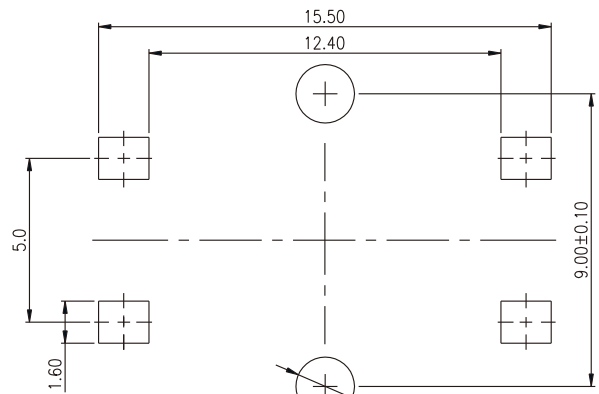
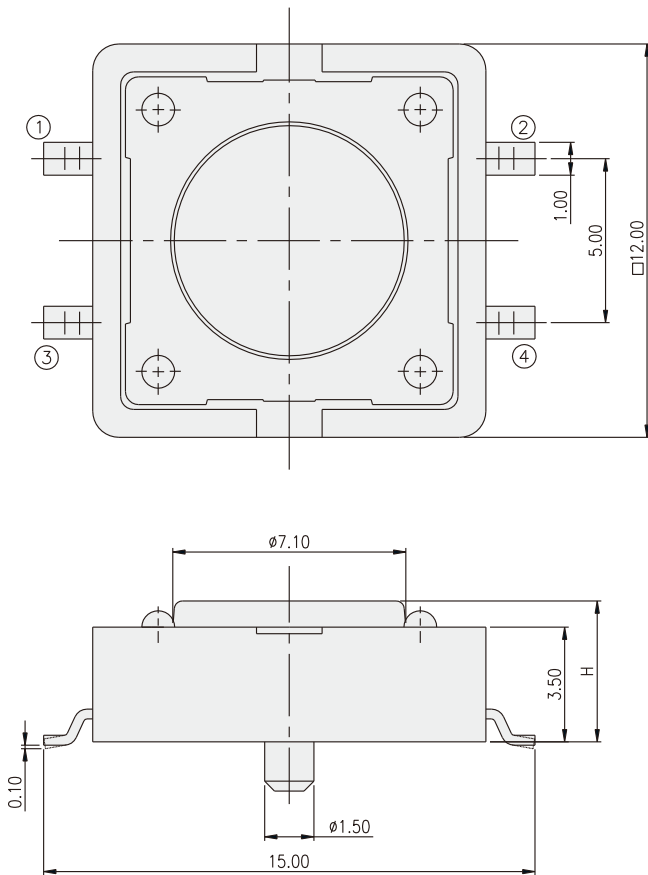


P.C.B. LAYOUT



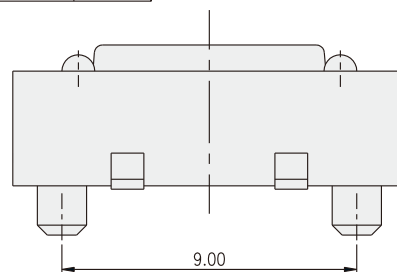
TACT SWITCH

DTSM-2



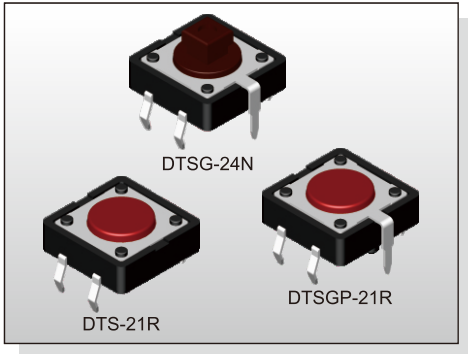
P.C.B. LAYOUT

PART NO.	H
DTSM-21	4.30
DTSM-23	7.40
DTSM-25	8.50



TACT SWITCH DTS(G)(P)-2 SERIES

12x12 Through Hole
With Ground Terminal Type



FEATURES

- ※ Snap in type with ground pin
- ※ Guide bosses available
- ※ Cap options

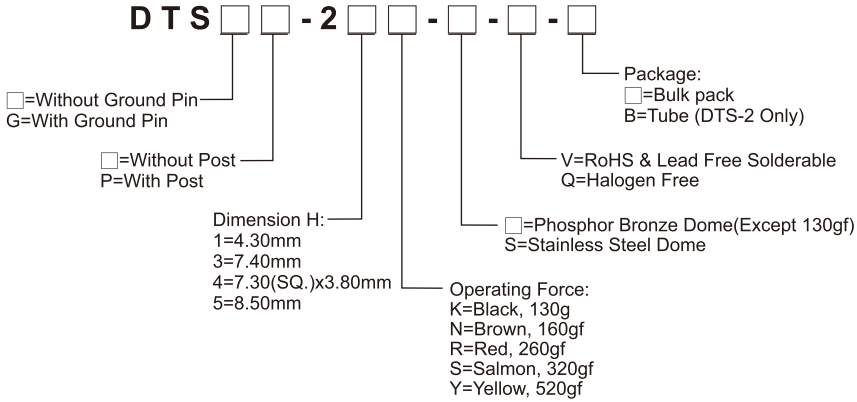
APPLICATION

- ※ Audio, OA equipment
- ※ Instrumentation
- ※ Industrial

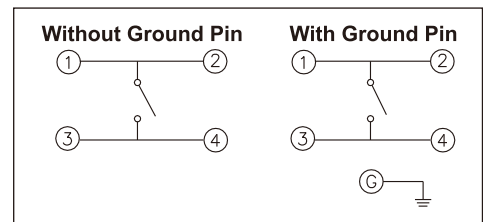
SPECIFICATION

Contact Rating	50mA, 12V DC
Contact Resistance	100mΩ max.
Insulation Resistance	100MΩ min. 500V DC
Dielectric Strength	250V AC/1 minute
Operating Force	130±50gf, Black(K) 160±50gf, Brown(N) 260±50gf, Red(R) 320±80gf, Salmon(S) 520±130gf, Yellow(Y)
Travel	0.35mm
Operating Life	Phosphor Bronze Dome 100,000 cycles for 520/320/260gf 200,000 cycles for 160gf
	Stainless Steel Dome 300,000 cycles for 520/320gf 500,000 cycles for 260gf 1,000,000 cycles for 160gf 10,000,000 cycles for 130gf
Operating Temp.	-25°C ~ +70°C
Storage Temp.	-30°C ~ +80°C

HOW TO ORDER



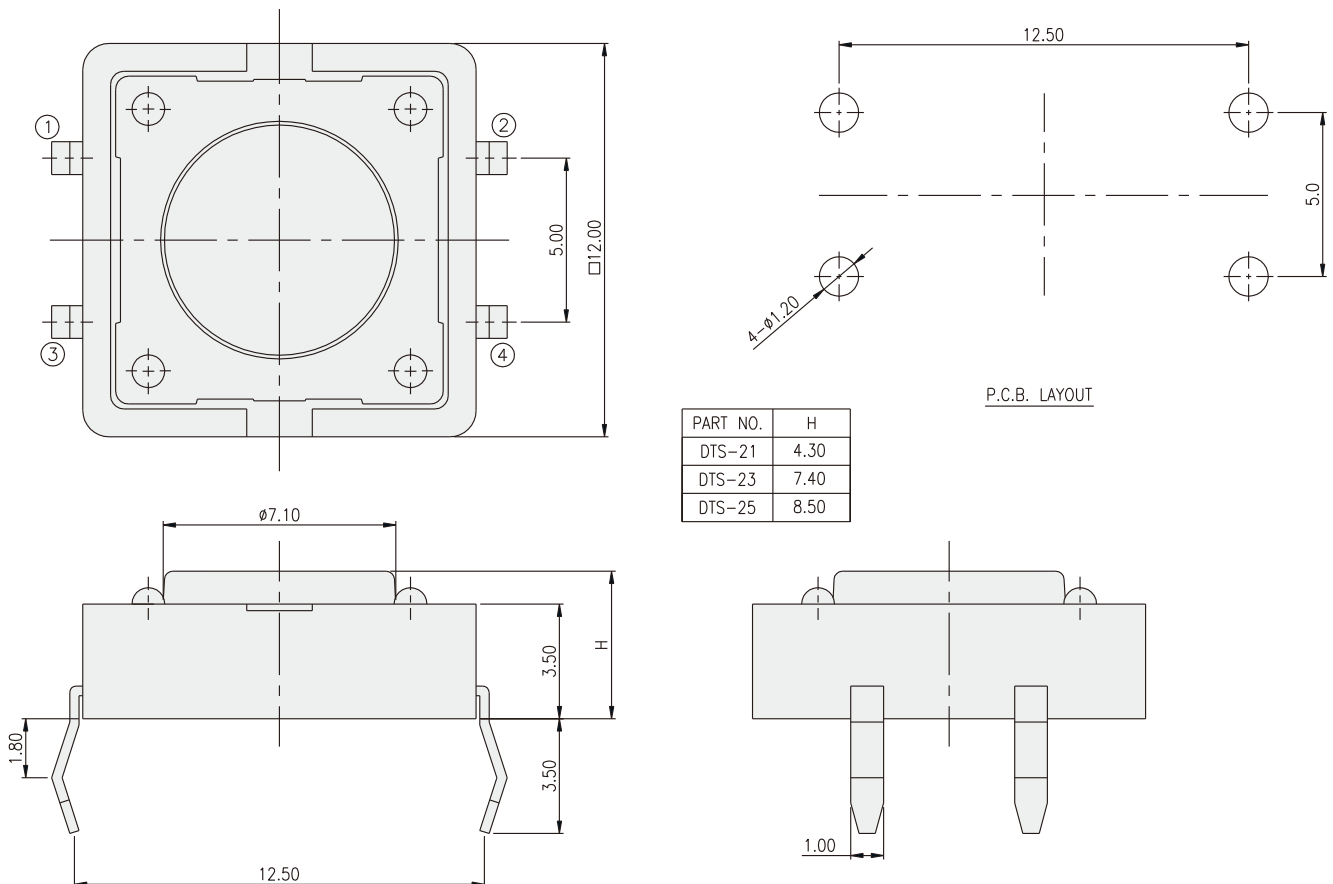
CIRCUIT



PACKAGE

<Bag>
500 pcs
<Tube>
DTS-2: 40 pcs

DTS-2

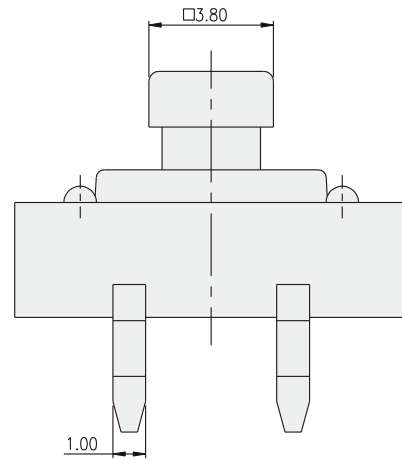
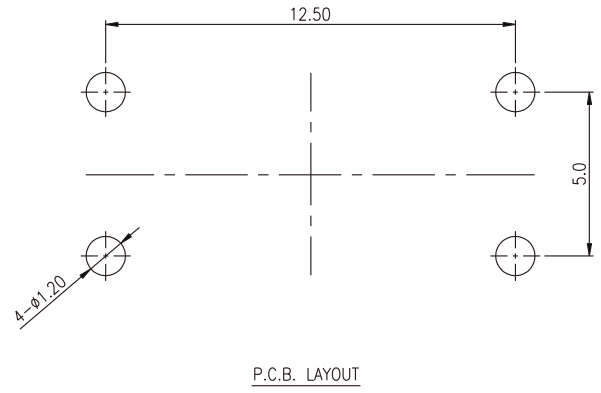
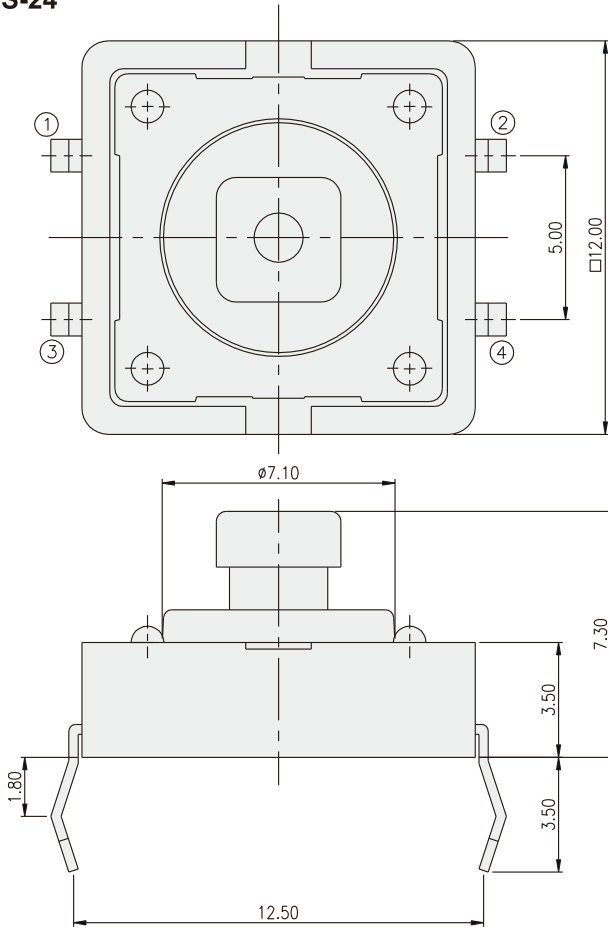


TACT SWITCH
DTS(G)(P)-2 SERIES

12x12 Through Hole
 With Ground Terminal Type

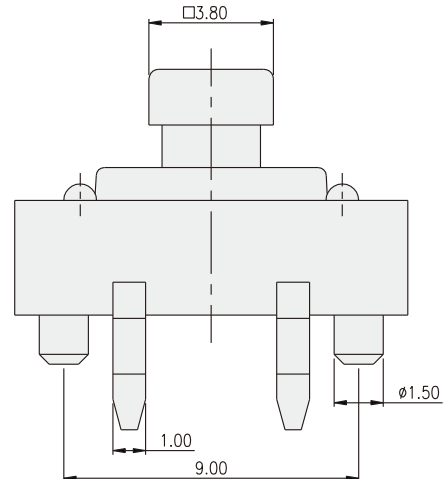
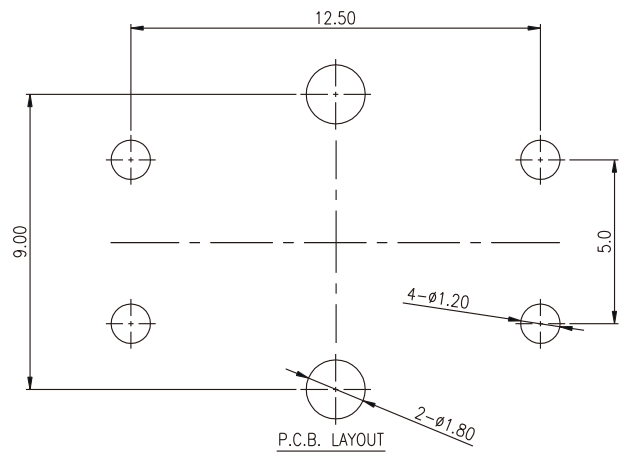
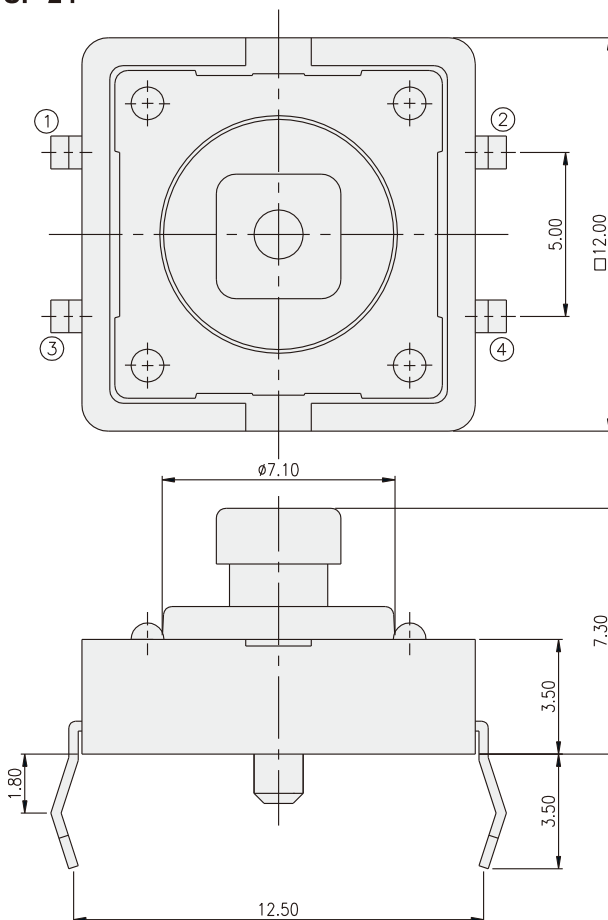


DTS-24

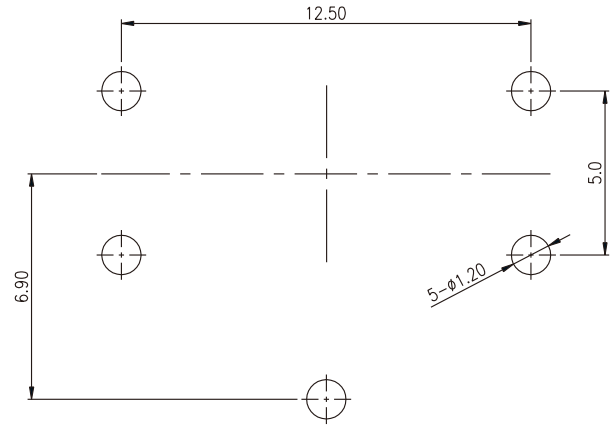
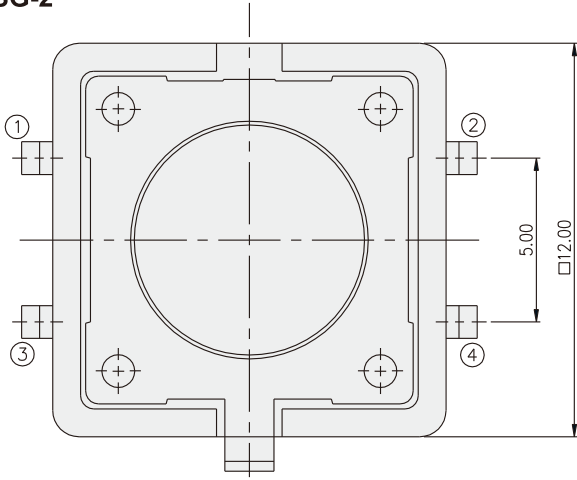


TACT SWITCH

DTSP-24

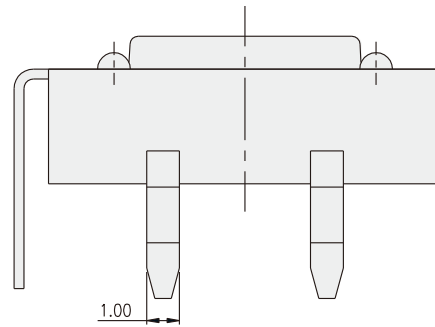
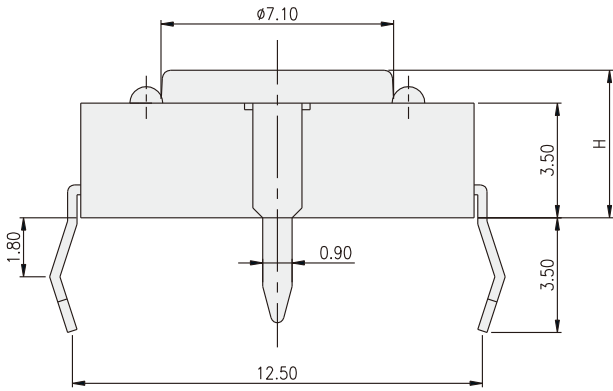


DTSG-2

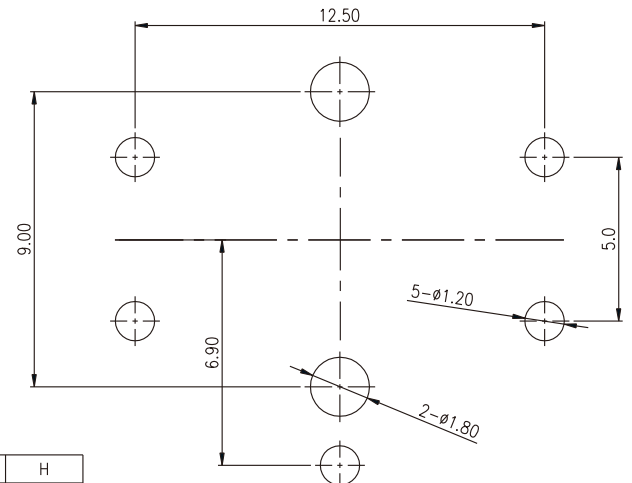
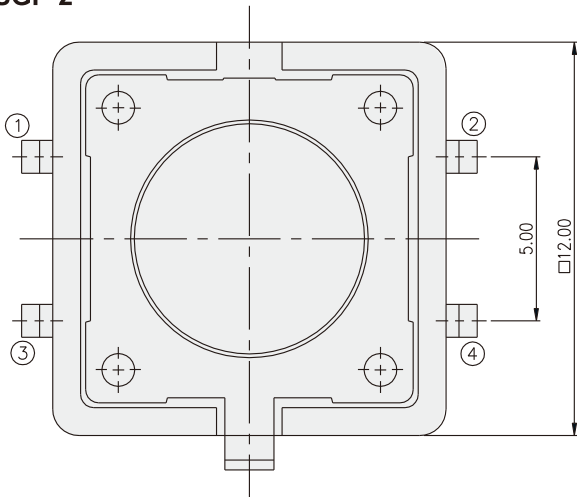


PART NO.	H
DTSG-21	4.30
DTSG-23	7.40
DTSG-25	8.50

P.C.B. LAYOUT

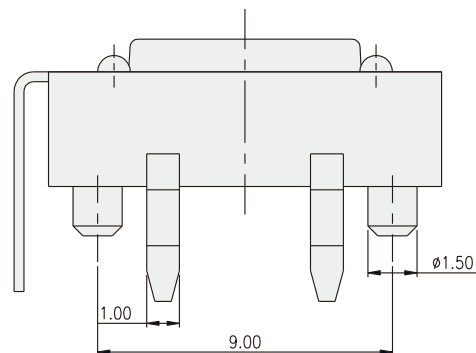
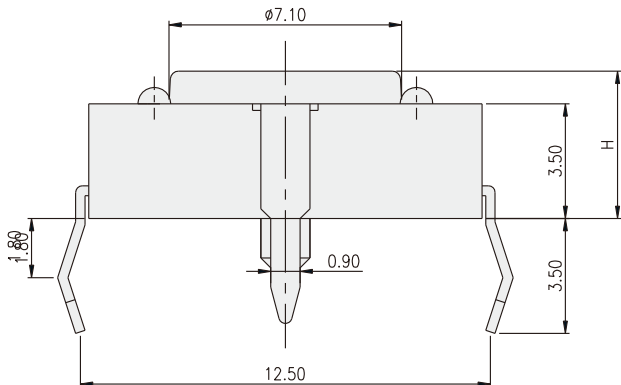


DTSGP-2



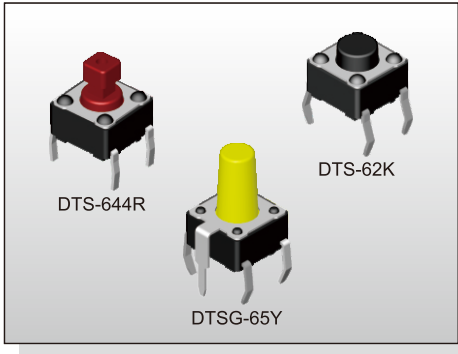
PART NO.	H
DTSGP-21	4.30
DTSGP-23	7.40
DTSGP-25	8.50

P.C.B. LAYOUT



TACT SWITCH DTS(G)-6 SERIES

6x6 Through Hole & Ground Terminal Type



FEATURES

- ※ Compact size 6x6mm
- ※ Sharp tactile feeling
- ※ Cap options

APPLICATION

- ※ Audio, OA equipment
- ※ Instrumentation
- ※ Industrial

SPECIFICATION

Contact Rating	50mA, 12V DC
Contact Resistance	100mΩ max.
Insulation Resistance	100MΩ min. 500V DC
Dielectric Strength	250V AC/1 minute
Operating Force	70±30gf, Blue(U) 100±50gf, Black(K) 160±50gf, Brown(N) 260±50gf, Red(R) 320±80gf, Salmon(S) 520±130gf, Yellow(Y)
Travel	0.25mm
Operating Life	Phosphor Bronze Dome 50,000 cycles for 520/320gf 100,000 cycles for 260gf 200,000 cycles for 160/100/70gf
	Stainless Steel Dome 300,000 cycles for 520/320gf 500,000 cycles for 260gf 1,000,000 cycles for 160/100/70gf
Operating Temp.	-25°C ~ +70°C
Storage Temp.	-30°C ~ +80°C

HOW TO ORDER

D T S - 6 - - - -

=Without Ground Pin
G=With Ground Pin

Height:
1=4.30mm
2=5.00mm
3=7.00mm
44=7.30mm (SQ.)x2.40mm
48=7.30mm (SQ.)x2.80mm
5=9.50mm
6=13.00mm
8=11.30mm
9=19.50mm

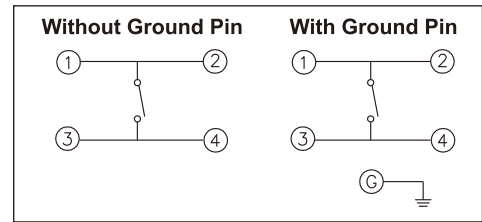
Package:
=Bulk pack
▲B=Tube
(▲DTS-61, 62 Only)

V=RoHS & Lead Free Solderable
Q=Halogen Free

=Phosphor Bronze Dome
S=Stainless Steel Dome

Operating Force:
U=Blue, 70gf
K=Black, 100gf
N=Brown, 160gf
R=Red, 260gf
S=Salmon, 320gf
Y=Yellow, 520gf

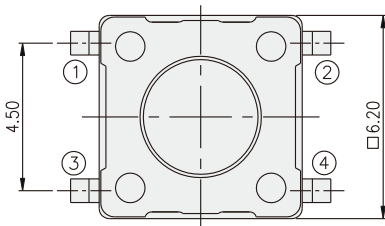
CIRCUIT



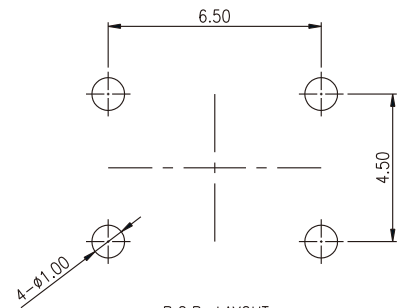
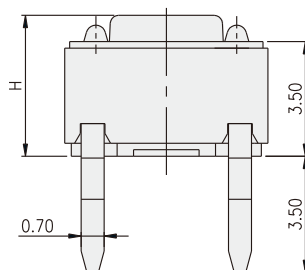
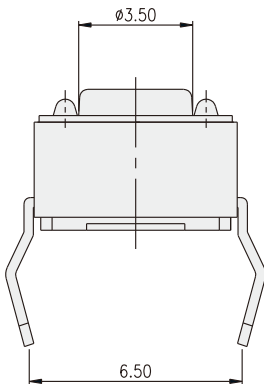
PACKAGE

<Bag>
1000 pcs
<Tub>
DTS-61/62: 75 pcs

DTS-6

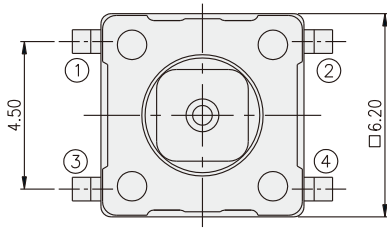


PART NO.	H
DTS-61	4.30
DTS-62	5.00
DTS-63	7.00
DTS-65	9.50
DTS-66	13.00
DTS-68	11.30
DTS-69	19.50

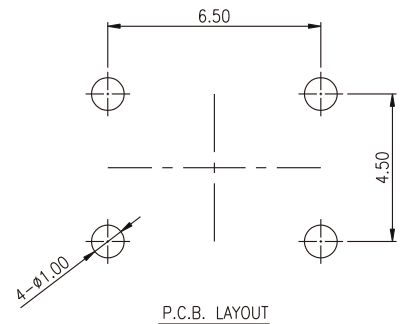
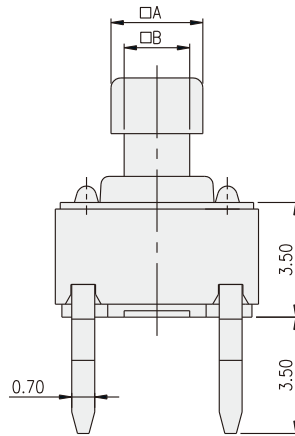
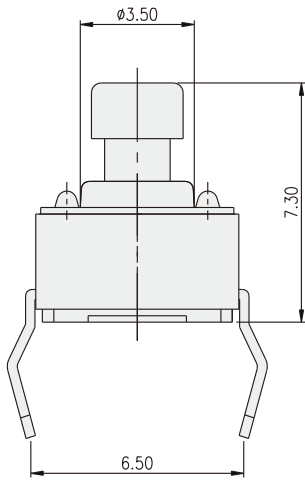


P.C.B. LAYOUT

DTS-644(8)

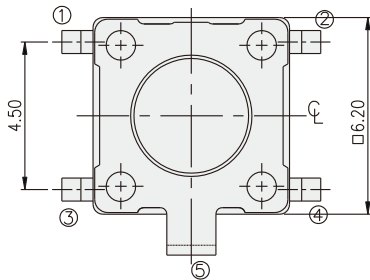


PART NO.	□A	□B
DTS-644	2.40	1.60
DTS-648	2.80	2.00

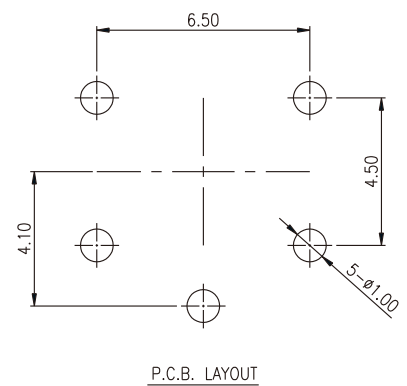
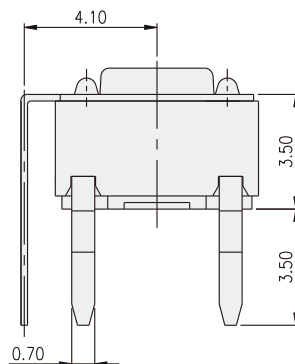
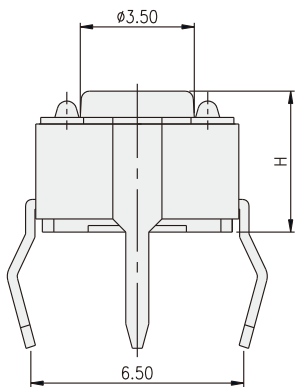


TACT SWITCH

DTSG-6

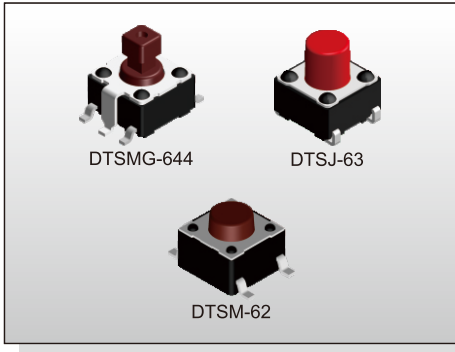


PART NO.	H
DTSG-61	4.30
DTSG-62	5.00
DTSG-63	7.00
DTSG-65	9.50
DTSG-66	13.00
DTSG-68	11.30
DTSG-69	19.50



TACT SWITCH DTS(M)(J)-6 SERIES

6x6 Surface Mounting Type (Ground Terminal Optional)



FEATURES

- ※6x6mm, surface mounting type
- ※Optional ground pin
- ※Reflow solderable

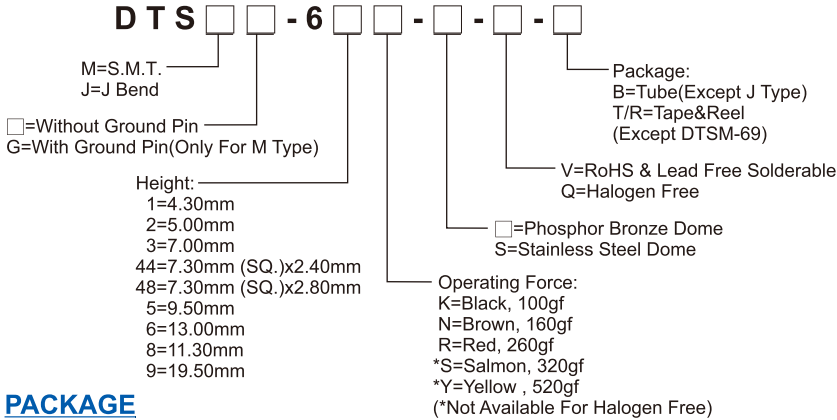
APPLICATION

- ※Audio, OA equipment
- ※Instrumentation, Communication
- ※White goods

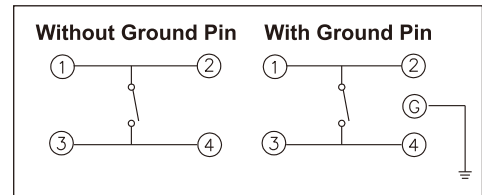
SPECIFICATION

Contact Rating	50mA, 12V DC
Contact Resistance	100mΩ max.
Insulation Resistance	100MΩ min. 500V DC
Dielectric Strength	250V AC/1 minute
Operating Force	100±50gf, Black(K) 160±50gf, Brown(N) 260±50gf, Red(R) 320±80gf, Salmon(S) 520±130gf, Yellow(Y)
Travel	0.25mm
Operating Life	Phosphor Bronze Dome 50,000 cycles for 520/320gf 100,000 cycles for 260gf 200,000 cycles for 160/100gf Stainless Steel Dome 300,000 cycles for 520/320gf 500,000 cycles for 260gf 1,000,000 cycles for 160/100gf
Operating Temp.	-25°C ~ +70°C
Storage Temp.	-30°C ~ +80°C

HOW TO ORDER



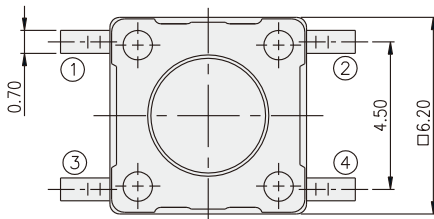
CIRCUIT



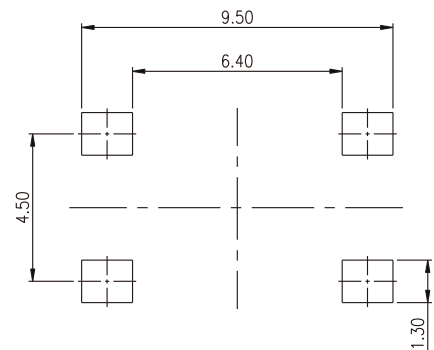
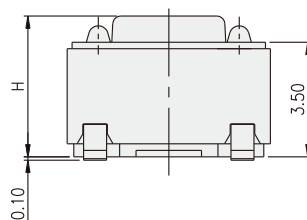
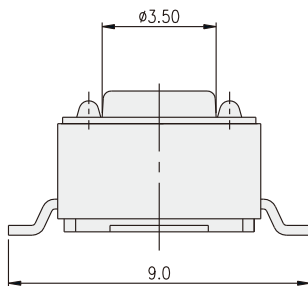
PACKAGE

- <Tube>
77 pcs
- <Tape & Reel>
DTSM(G)(J)-61 / DTSMG-62:1000 pcs
DTS(M)(J)-62:900 pcs DTS(M)(G)(T)-63, 64:700 pcs
DTSM(G)-65:380 pcs DTSJ-65:400 pcs

DTSM-6

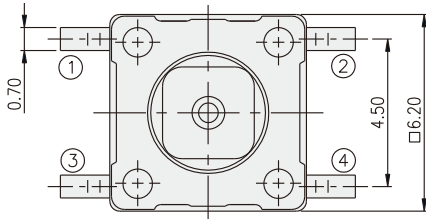


PART NO.	H
DTSM-61	4.30
DTSM-62	5.00
DTSM-63	7.00
DTSM-65	9.50
DTSM-66	13.00
DTSM-68	11.30
DTSM-69	19.50

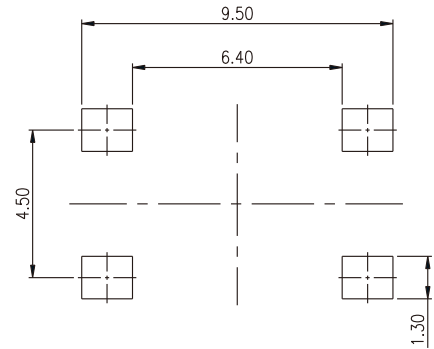
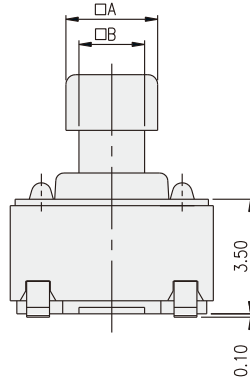
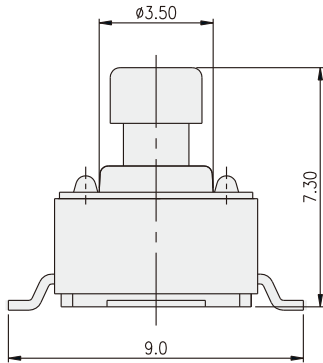


P.C.B. LAYOUT

DTSM-644(8)



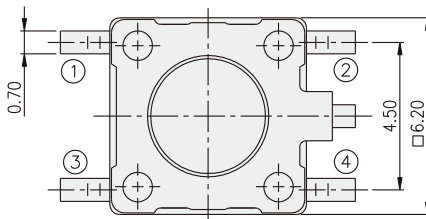
PART NO.	□A	□B
DTSM-644	2.40	1.60
DTSM-648	2.80	2.00



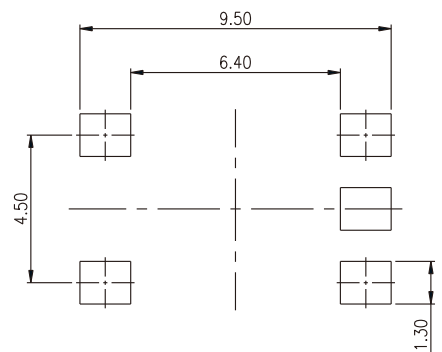
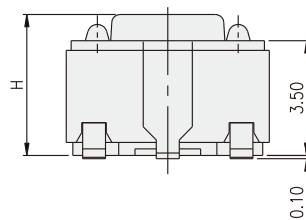
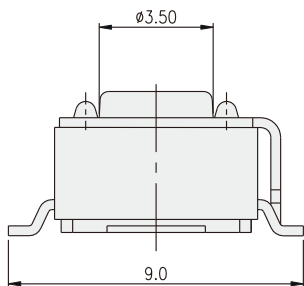
P.C.B. LAYOUT

TACT SWITCH

DTSMG-6



PART NO.	H
DTSMG-61	4.30
DTSMG-62	5.00
DTSMG-63	7.00
DTSMG-65	9.50
DTSMG-66	13.00
DTSMG-68	11.30
DTSMG-69	19.50



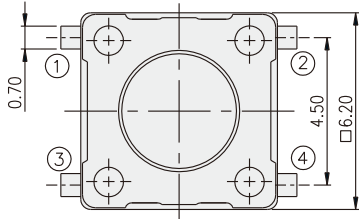
P.C.B. LAYOUT

TACT SWITCH
DTS(M)(J)-6 SERIES

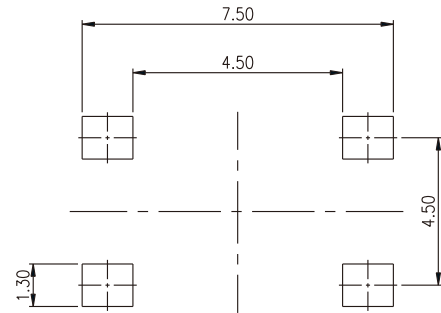
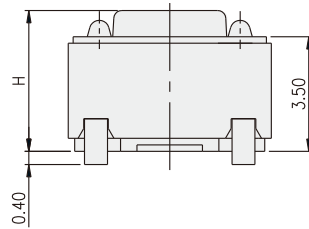
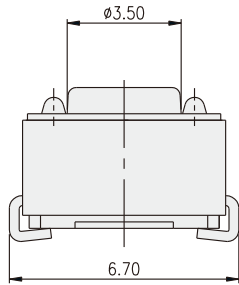
6x6 Surface Mounting Type
 (Ground Terminal Optional)



DTSJ-6



PART NO.	H
DTSJ-61	4.30
DTSJ-62	5.00
DTSJ-63	7.00
DTSJ-65	9.50
DTSJ-66	13.00
DTSJ-68	11.30
DTSJ-69	19.50

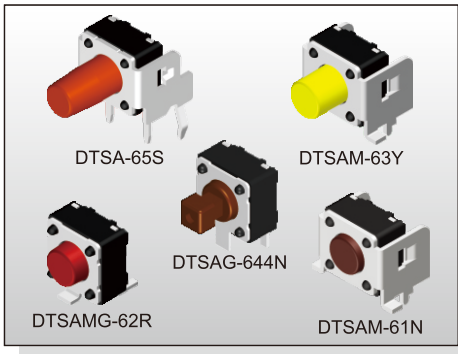


P.C.B. LAYOUT

TACT SWITCH

TACT SWITCH DTSA-6 SERIES

6x6 Right Angle & Ground Terminal Type



FEATURES

- ※ Variety of actuator lengths
- ※ Optional ground pin
- ※ Cap options

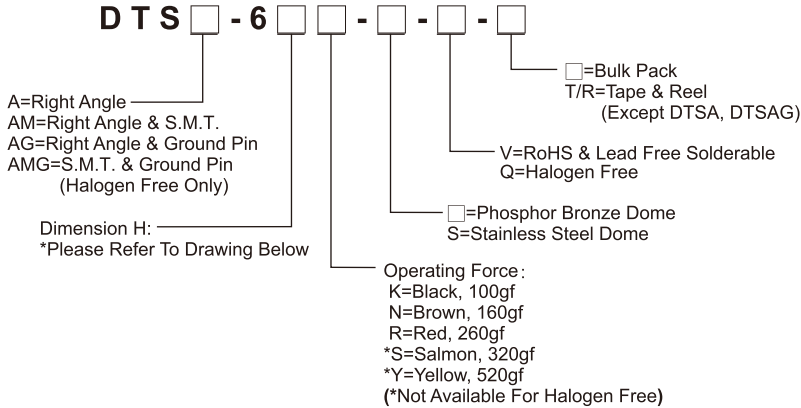
APPLICATION

- ※ Audio, OA equipment
- ※ Instrumentation
- ※ Setup box

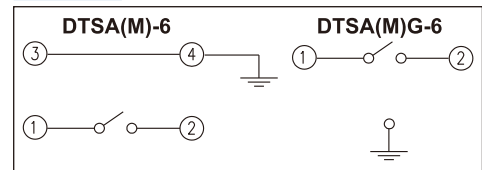
SPECIFICATION

Contact Rating	50mA, 12V DC
Contact Resistance	100mΩ max.
Insulation Resistance	100MΩ min. 500V DC
Dielectric Strength	250V AC/1 minute
Operating Force	100±50gf, Black(K) 160±50gf, Brown(N) 260±50gf, Red(R) 320±80gf, Salmon(S) 520±130gf, Yellow(Y)
Travel	0.25mm
Operating Life	Phosphor Bronze Dome 50,000 cycles for 520/320gf 100,000 cycles for 260gf 200,000 cycles for 160/100gf Stainless Steel Dome 300,000 cycles for 520/320gf 500,000 cycles for 260gf 1,000,000 cycles for 160/100gf
Operating Temp.	-25°C ~ +70°C
Storage Temp.	-30°C ~ +80°C

HOW TO ORDER



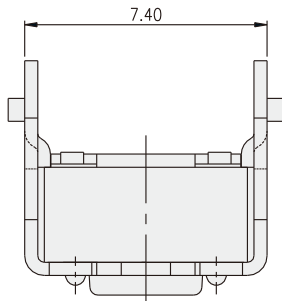
CIRCUIT



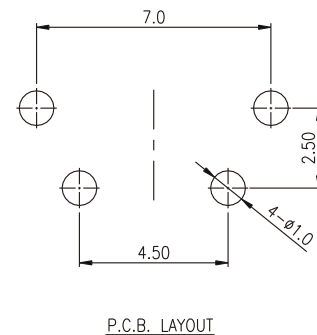
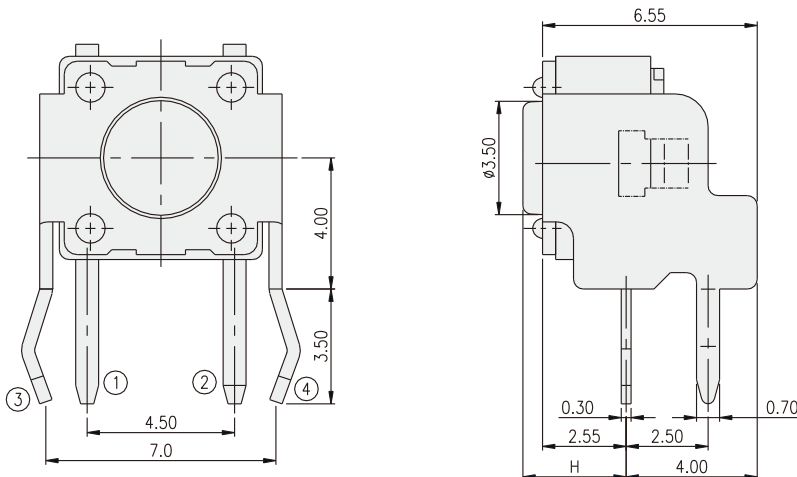
PACKAGE

- <Bag>
DTSA(G)-6: 500 pcs
<Tape & Reel>
DTSAM-6: 500 pcs
DTSAMG-61, 62: 500 pcs
DTSAMG-63, 64, 65: 380 pcs

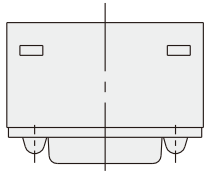
DTSA-6



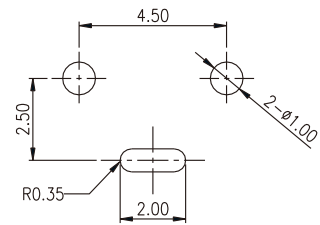
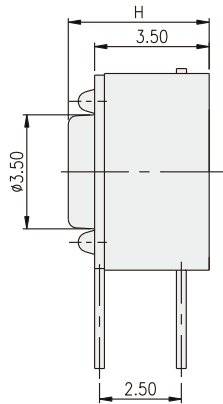
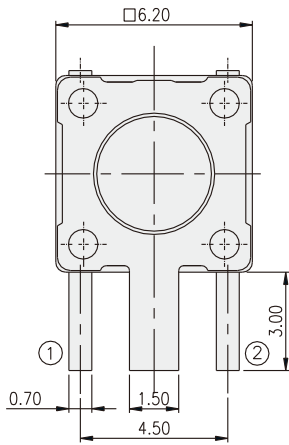
PART NO.	H
DTSA-61	3.15
DTSA-62	3.85
DTSA-63	5.85
DTSA-644	6.15(SQ.2.40)
DTSA-648	6.15(SQ.2.80)
DTSA-65	8.35
DTSA-66	11.85



DTSAG-6



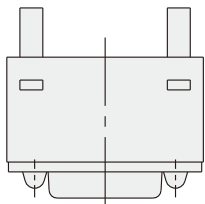
PART NO.	H
DTSAG-61	4.30
DTSAG-62	5.00
DTSAG-63	7.00
DTSAG-644	7.30(SQ.2.40)
DTSAG-648	7.30(SQ.2.80)
DTSAG-65	9.50
DTSAG-66	13.00



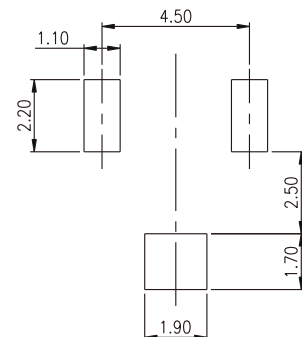
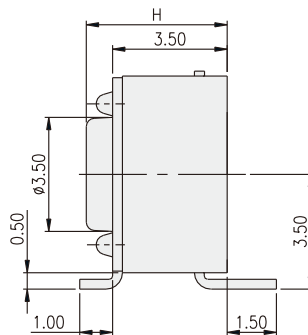
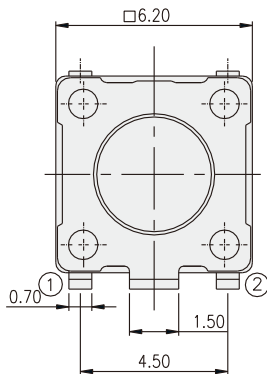
P.C.B. LAYOUT

TACT SWITCH

DTSAMG-6

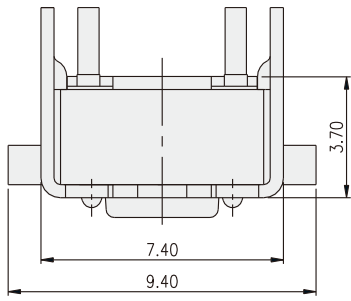


PART NO.	H
DTSAMG-61	4.30
DTSAMG-62	5.00
DTSAMG-63	7.00
DTSAMG-644	7.30(SQ.2.40)
DTSAMG-648	7.30(SQ.2.80)
DTSAMG-65	9.50
DTSAMG-66	13.00

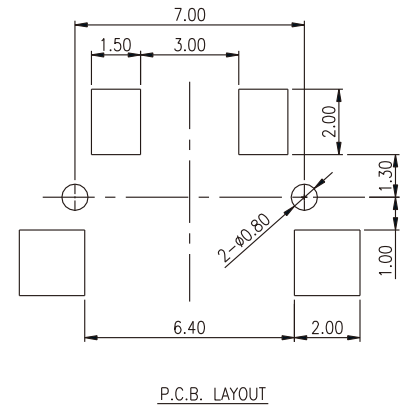
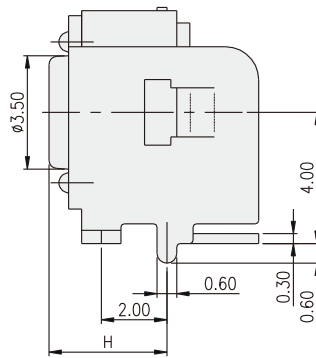
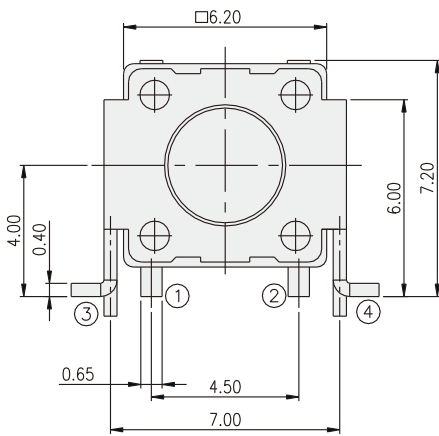


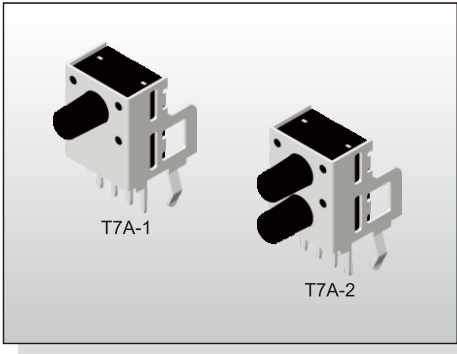
P.C.B. LAYOUT

DTSAM-6



PART NO.	H
DTSAM-61	3.60
DTSAM-62	4.30
DTSAM-63	6.30
DTSAM-644	7.30(SQ.2.40)
DTSAM-648	7.30(SQ.2.80)
DTSAM-65	8.80





FEATURES

- ※Double switch
- ※Two Circuit

APPLICATION

- ※Audio, OA equipment
- ※Instrumentation
- ※Setup box

SPECIFICATION

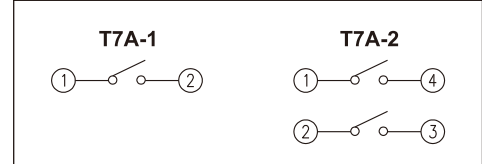
Contact Rating	50mA, 12V DC
Contact Resistance	100mΩ max.
Insulation Resistance	100MΩ min. 100V DC
Dielectric Strength	250V AC/1 minute
Operating Force	180±50gf
Travel	0.20mm
Operating Life	100,000 cycles
Operating Temp.	-20°C ~ +70°C
Storage Temp.	-30°C ~ +80°C

HOW TO ORDER

T7A-□14KQP

- 1=Single Stem
- 2=Double Stem
- Stem High: 3.80mm
- Package: Bulk Pack
- Halogen Free
- Stem Color: Black
- Operating Force: 180gf

CIRCUIT

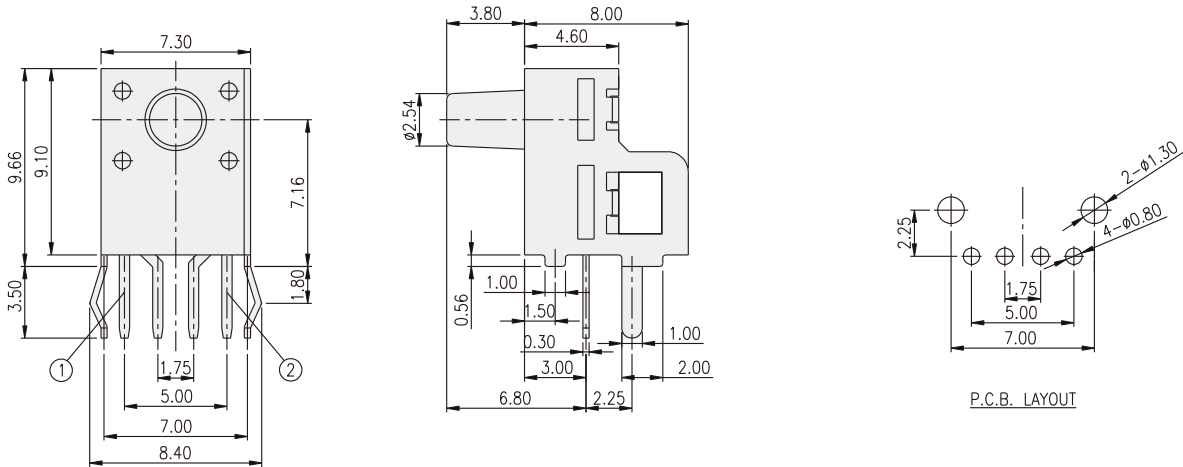


PACKAGE

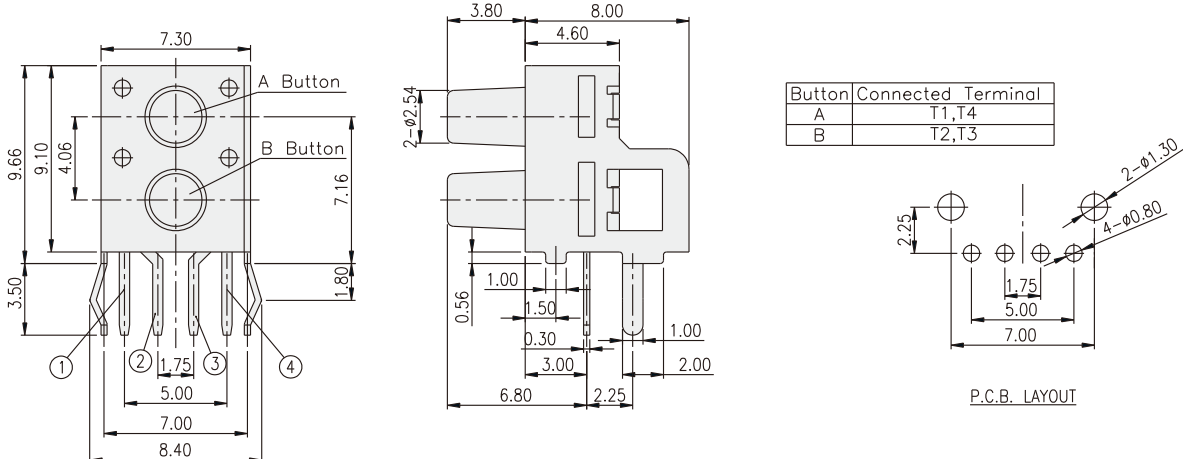
<Bag>
400 pcs

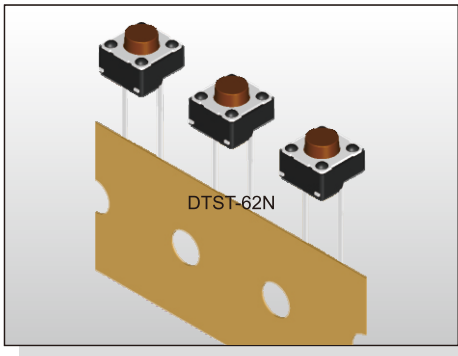
TACT SWITCH

T7A-1



T7A-2





FEATURES

- ※Radial taping type
- ※Variety of actuator lengths
- ※Allow automatic insertion onto PCB.

APPLICATION

- ※White goods , OA equipment
- ※Audio, DVD player, TV
- ※Instrumentation

SPECIFICATION

Contact Rating	50mA, 12V DC
Contact Resistance	100mΩ max.
Insulation Resistance	100MΩ min. 500V DC
Dielectric Strength	250V AC/1 minute
Operating Force	100±50gf, Black(K) 160±50gf, Brown(N) 260±50gf, Red(R) 320±80gf, Salmon(S) 520±130gf, Yellow(Y)
Travel	0.25mm
Operating Life	Phosphor Bronze Dome 50,000 cycles for 520/320gf 100,000 cycles for 260gf 200,000 cycles for 160/100gf Stainless Steel Dome 300,000 cycles for 520/320gf 500,000 cycles for 260gf 1,000,000 cycles for 160/100gf
Operating Temp.	-25°C ~ +70°C
Storage Temp.	-30°C ~ +80°C

HOW TO ORDER

DTST-6 [] - [] - [] - []

Radial Taping Type

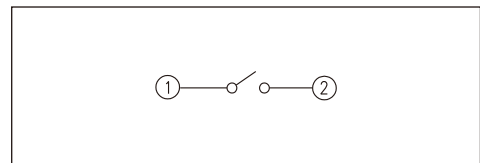
Height:
1=4.30mm
2=5.00mm
3=7.00mm
44=7.30mm (SQ.)x2.40mm
48=7.30mm (SQ.)x2.80mm
5=9.50mm
6=13.00mm

Operating Force:
K=Black, 100gf
N=Brown, 160gf
R=Red, 260gf
S=Salmon, 320gf
Y=Yellow, 520gf

V=RoHS & Lead Free Solderable
Q=Halogen Free

[]=Phosphor Bronze Dome
[]=Stainless Steel Dome

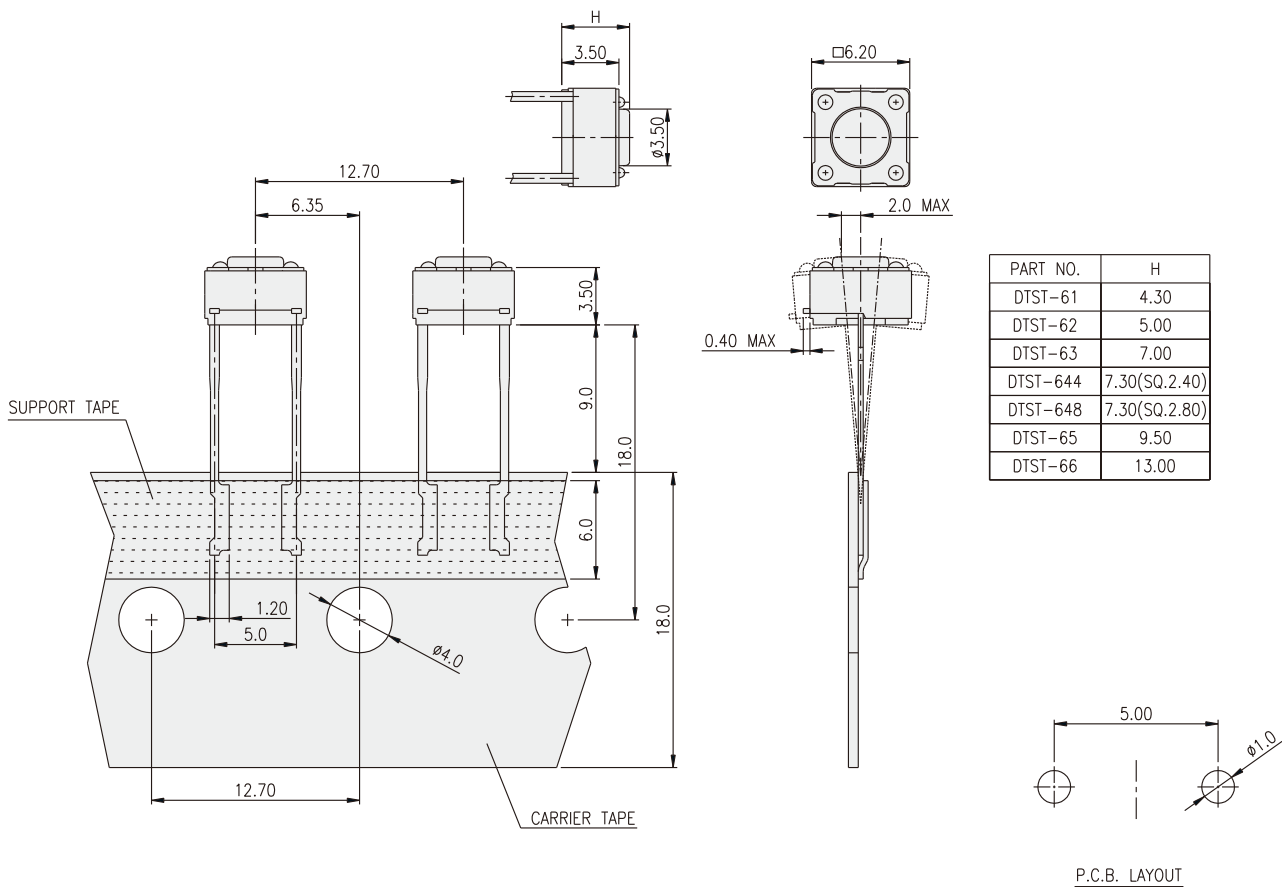
CIRCUIT



PACKAGE

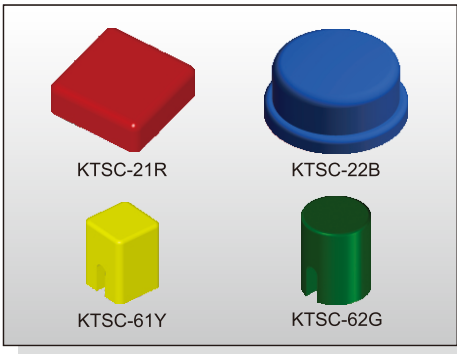
<Box>
900 pcs

DTST-6



TACT SWITCH
KTSC-(6)(2) SERIES

Cap for 6x6 / 12x12
 Tact Switch



HOW TO ORDER

KTSC - [] [] []

Prod. Size: <Tactile Switch>
 2=12X12mm (Can be applied on DTS□-24)
 6=6x6mm (Can be applied on DTS□-644)

Cap Type:
 1=Square
 2=Round

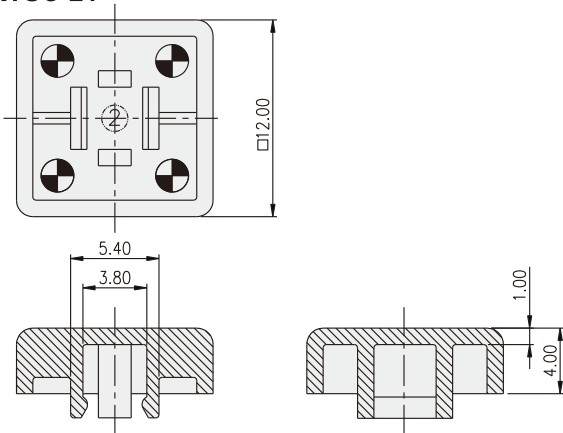
Cap color:
 Y=Yellow
 B=Blue
 R=Red
 I=Ivory
 K=Black
 G=Green
 S=Salmon
 Ge=Gray

PACKAGE

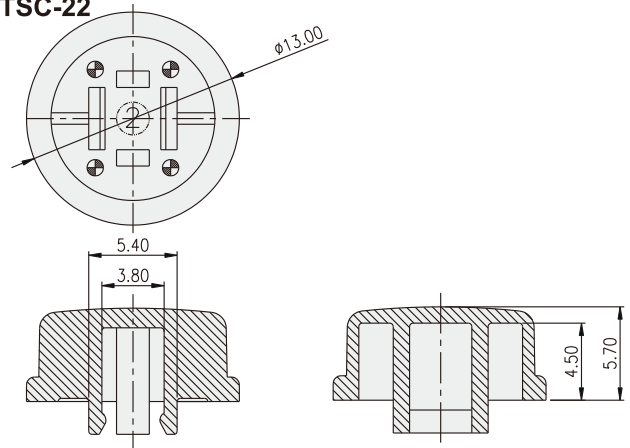
<Bag>
 KTSC-2: 500 pcs
 KTSC-6:1500 pcs

TACT SWITCH

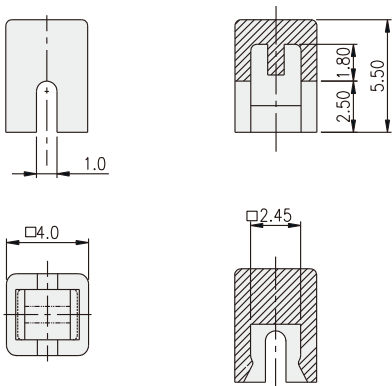
KTSC-21



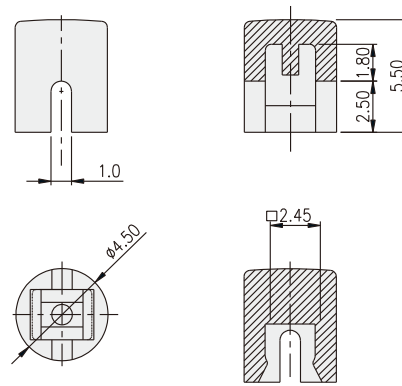
KTSC-22



KTSC-61

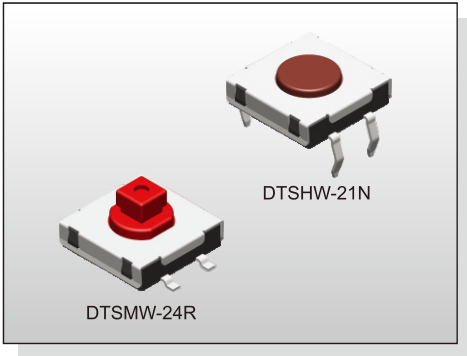


KTSC-62



TACT SWITCH
DTS()W-2 SERIES

12x12 SMT & Through Hole
 Washable Type



FEATURES

- ※ Sealed
- ※ Through hole & SMT type
- ※ 1 million operating life cycle

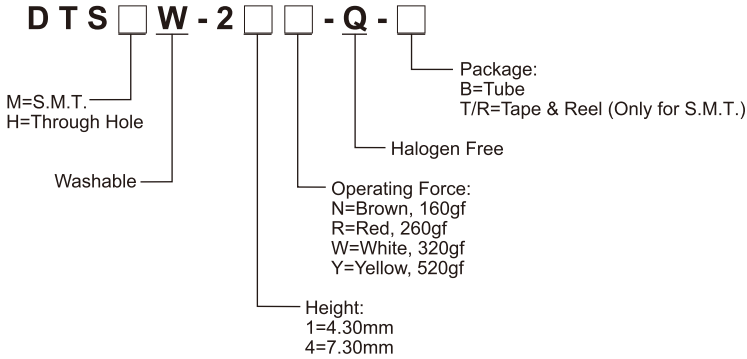
APPLICATION

- ※ Audio, OA equipment
- ※ Instrumentation
- ※ Industrial

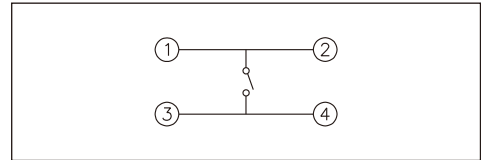
SPECIFICATION

Contact Rating	50mA, 24V DC
Contact Resistance	100mΩ max.
Insulation Resistance	100MΩ min. 250V DC
Dielectric Strength	250V AC/1 minute
Operating Force	160±50gf, Brown(N) 260±50gf, Red(R) 320±80gf, Salmon(S) 520±130gf, Yellow(Y)
Travel	0.4mm
Operating Life	300,000 cycles for 520/320gf 1,000,000 cycles for 260/160gf
Operating Temp.	-40°C ~ +85°C
Storage Temp.	-40°C ~ +85°C

HOW TO ORDER



CIRCUIT



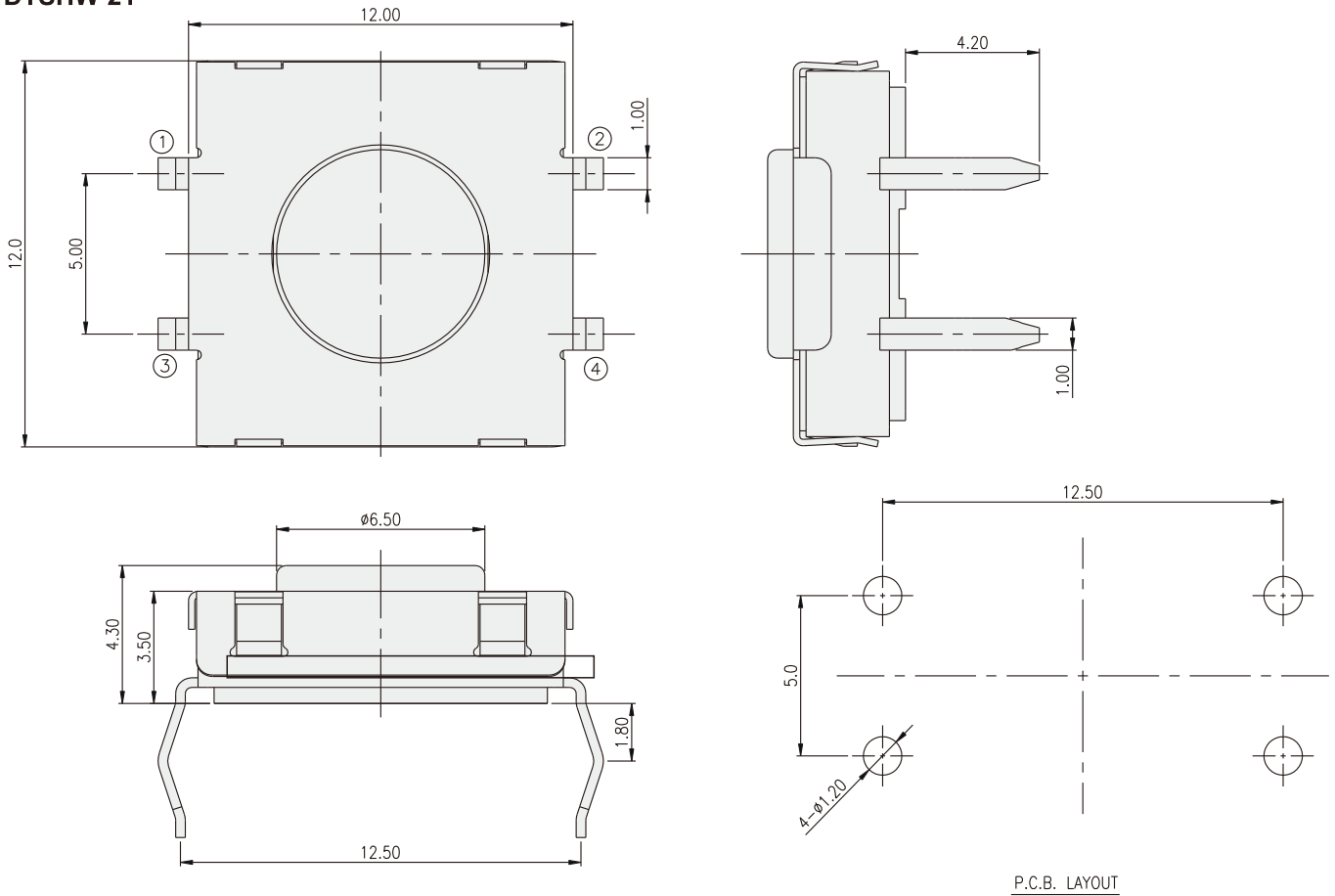
PACKAGE

<Tube>
39 pcs

<Tape & Reel>
DTSMW-21: 700 pcs
DTSMW-24: 500 pcs

TACT SWITCH

DTSHW-21



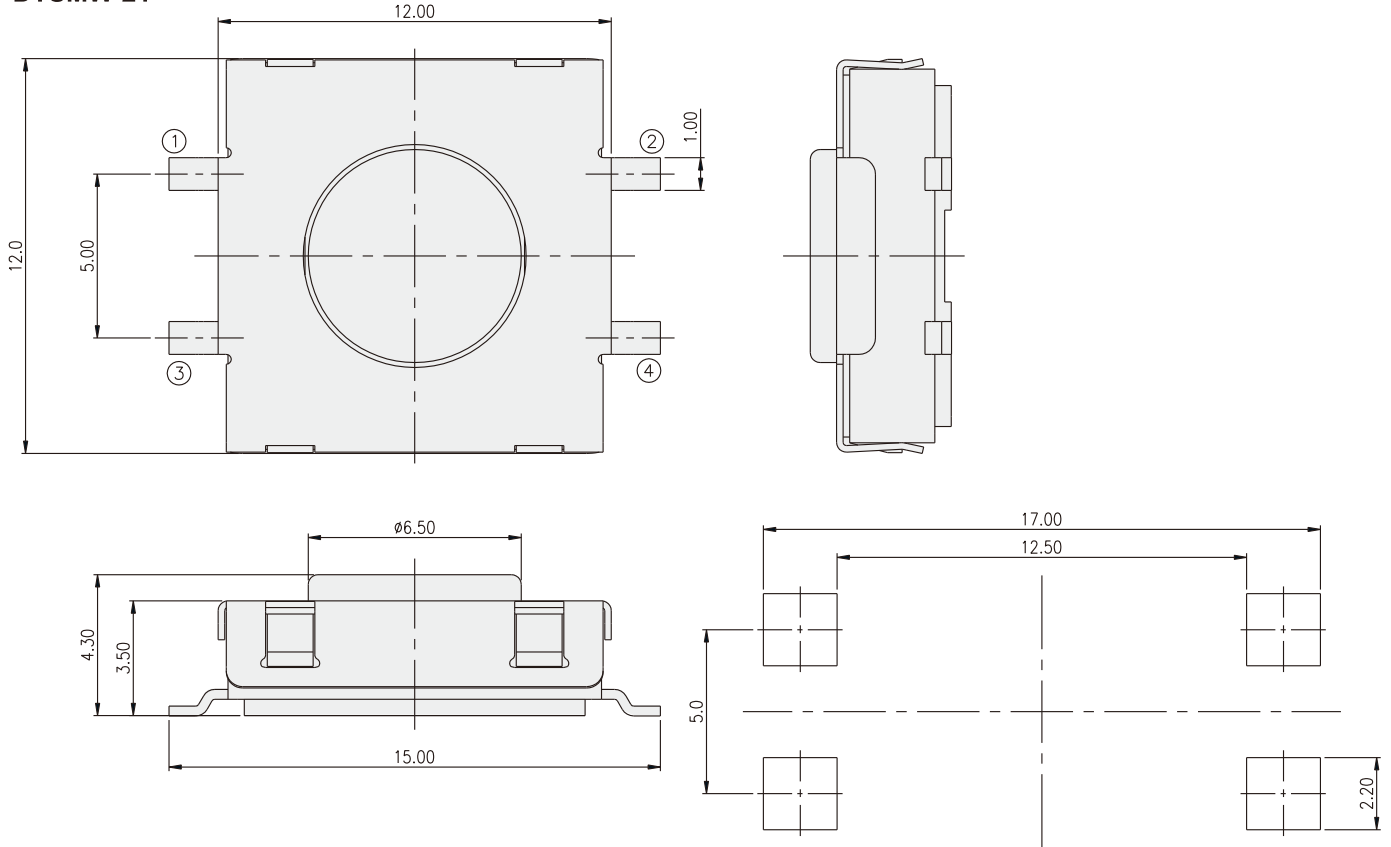
TACT SWITCH
DTS()W-2 SERIES

12x12 SMT & Through Hole
 Washable Type



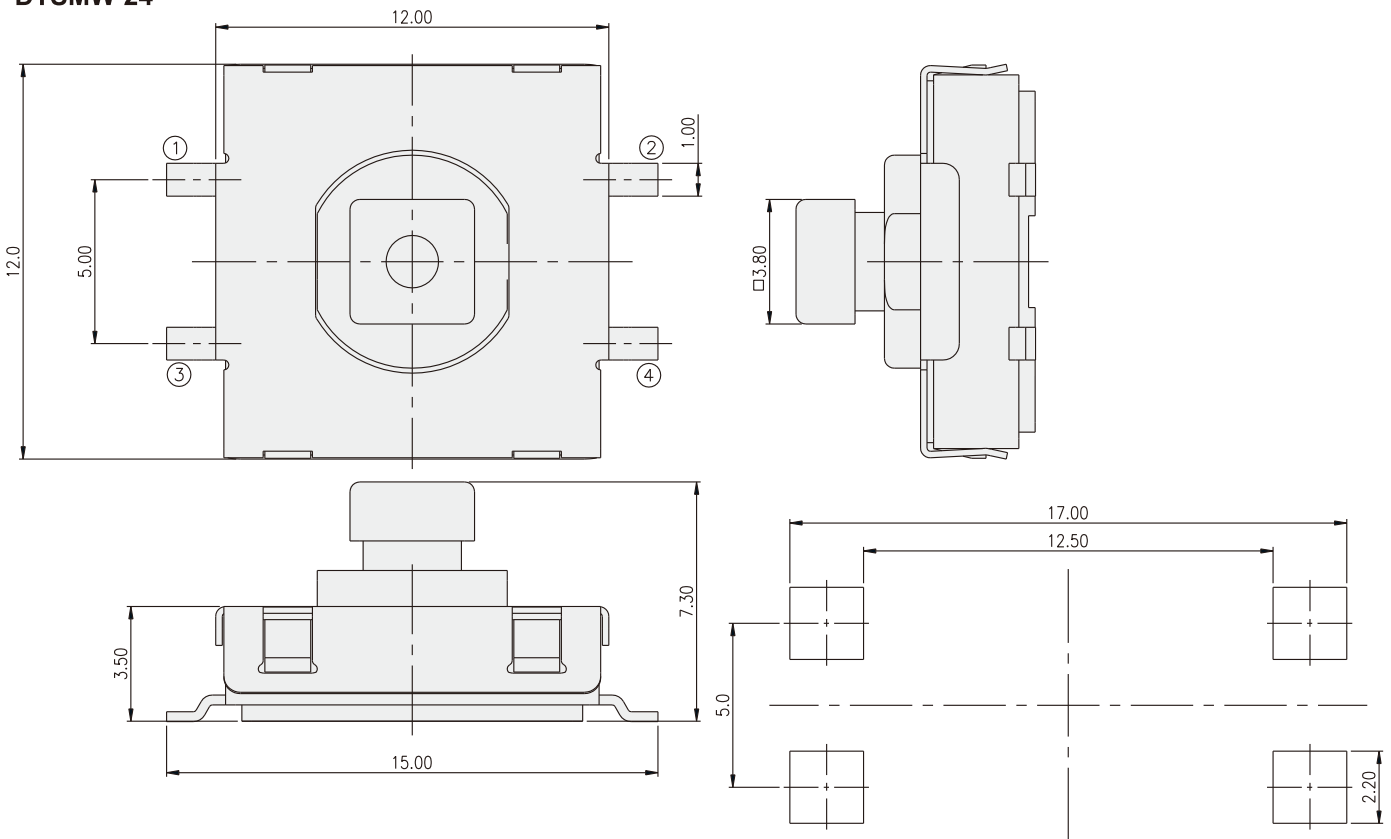
TACT SWITCH

DTSMW-21



P.C.B. LAYOUT

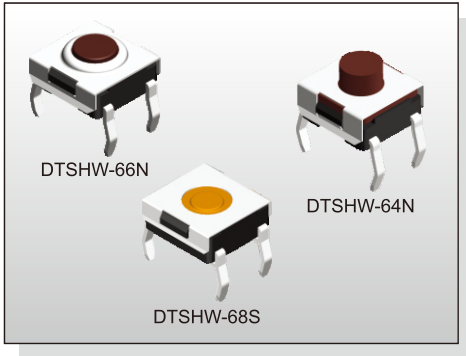
DTSMW-24



P.C.B. LAYOUT

TACT SWITCH DTSHW-6 SERIES

6x6 Through Hole
Washable Type



FEATURES

- ※Sealed
- ※Snap in type
- ※Dust proof with high reliability

APPLICATION

- ※Audio, OA equipment
- ※Instrumentation, Communication
- ※White goods

SPECIFICATION

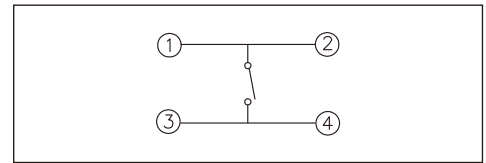
Contact Rating	50mA, 12V DC
Contact Resistance	100mΩ max.
Insulation Resistance	100MΩ min. 500V DC
Dielectric Strength	250V AC/1 minute
Operating Force	160±50gf, Brown(N) 66/677 160±50gf, Silver(S) 68 180±50gf, Brown(N) 69/67/65/64 260±70gf, Red(R) 69/67/66/65/64 360±90gf, Transparent(T) 69/67/65/677
Travel	0.25mm 68S/66N/66R/677 0.45mm(69/67N,R)(65/64N,R,T) 0.6mm 69/67T
Operating Life	100,000 cycles min. for 66/68/677 500,000 cycles min. for 69/67/65/64
Operating Temp.	-25°C ~ +70°C
Storage Temp.	-30°C ~ +80°C

HOW TO ORDER

DTSHW-6 □ □ - □ - **B**

- Through Hole
- Washable
- Package: Tube
- V=RoHS & Lead Free Solderable
- Q=Halogen Free
- Dimension H:
 - 4=4.50mm (N, R)
 - 5=3.50mm (N, R, T)
 - 6=3.10mm (N, R)
 - 7=5.20mm (N, R, T)
 - 77=7.30mm (N, T)
 - 8=2.30mm (S)
 - 9=3.80mm (N, R, T)
- Operating Force:
 - N=Brown, 160gf(66N, 677N)
 - 180gf(69N, 67N, 65N, 64N)
 - S=Silver, 160gf(68S)
 - R=Red, 260gf(69R, 67R, 66R, 65R, 64R)
 - T=Transparent, 360gf(69T, 67T, 65T, 677T)

CIRCUIT

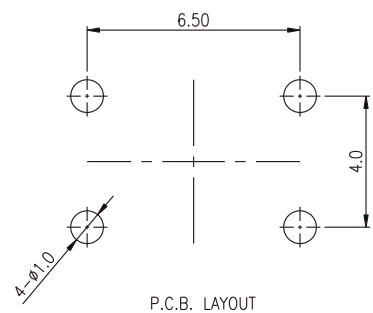
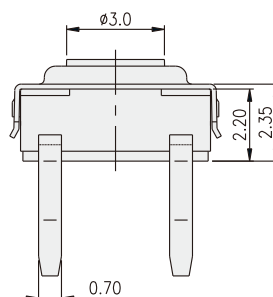
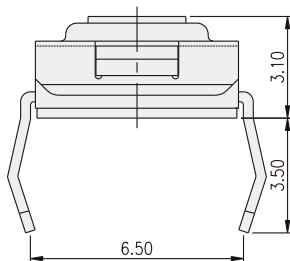
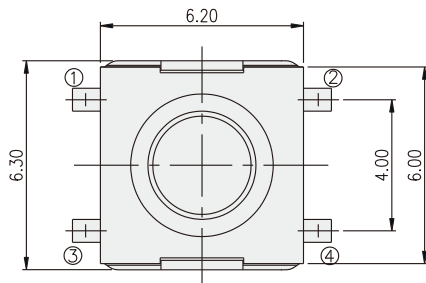


PACKAGE

<Tube>
75 pcs

TACT SWITCH

DTSHW-66

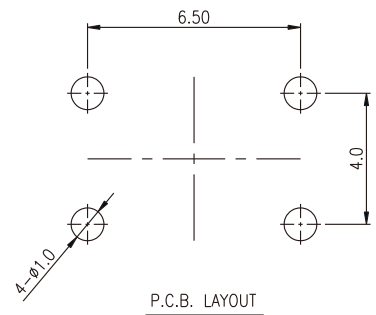
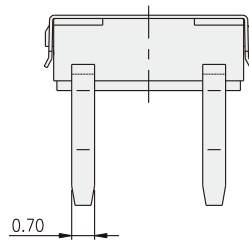
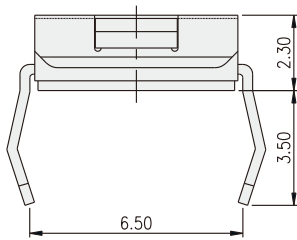
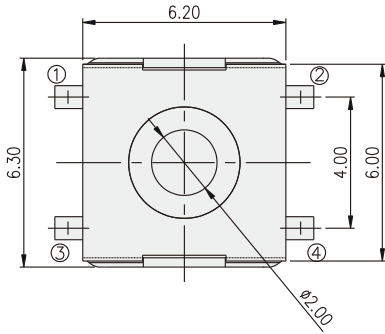


TACT SWITCH
DTSHW-6 SERIES

6x6 Through Hole
 Washable Type

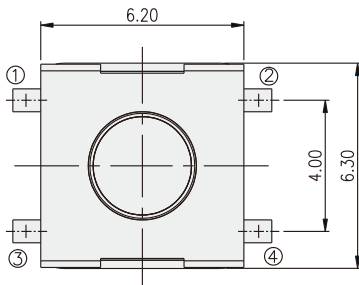


DTSHW-68

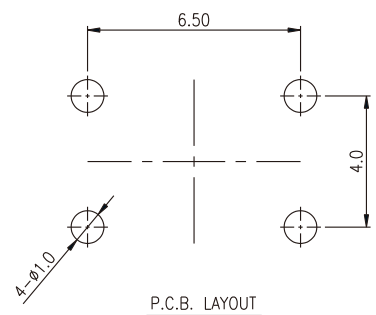
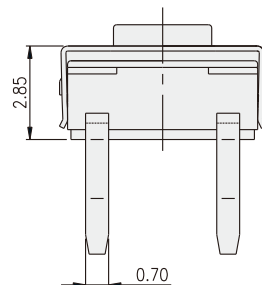
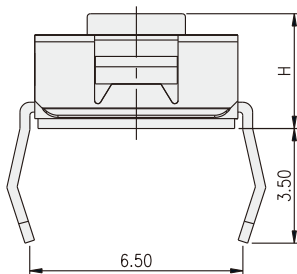


TACT SWITCH

DTSHW-6 □

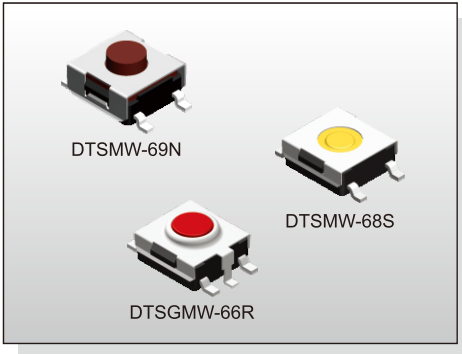


PART NO.	H
DTSHW-64	4.50
DTSHW-65	3.50
DTSHW-67	5.20
DTSHW-69	3.80
DTSHW-677	7.30



TACT SWITCH DTS(G)MW-6 SERIES

6x6 Gull-Wing SMT Washable Type



FEATURES

- ※ Sealed
- ※ Reflow solderable
- ※ Dust proof with high reliability

APPLICATION

- ※ Audio, OA equipment
- ※ Instrumentation, Communication
- ※ White goods

SPECIFICATION

Contact Rating	50mA, 12V DC
Contact Resistance	100mΩ max.
Insulation Resistance	100MΩ min. 500V DC
Dielectric Strength	250V AC/1 minute
Operating Force	160±50gf, Brown(N) 66/677 160±50gf, Silver(S) 68 180±50gf, Brown(N) 69/67/65/64 260±70gf, Red(R) 69/67/66/65/64 360±90gf, Transparent(T) 69/67/65/677
Travel	0.25mm 68S/66N/66R/677 0.45mm (69/67N,R)/(65/64N,R,T) 0.6mm 69/67T
Operating Life	100,000 cycles min. for 68/66/677 500,000 cycles min. for 69/67/65/64
Operating Temp.	-25°C ~ +70°C
Storage Temp.	-30°C ~ +80°C

HOW TO ORDER

D T S W - 6 [] [] - [] - []

M=S.M.T.
GM=S.M.T. & With Ground Pin
(66 Only)

Washable

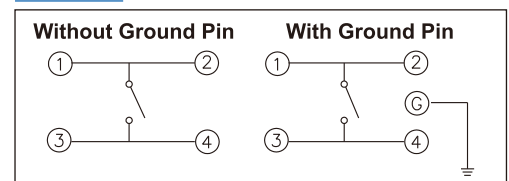
Package:
B=Tube
T/R=Tape & Reel

V=RoHS & Lead Free Solderable
Q=Halogen Free

Operating Force:
N=Brown, 160gf(66N, 677N)
180gf(69N, 67N, 65N, 64N)
S=Silver, 160gf(68S)
R=Red, 260gf(69R, 67R, 66R, 65R, 64R)
T=Transparent, 360gf(69T, 67T, 65T, 677T)

Dimension H:
4=4.50mm (N, R)
5=3.50mm (N, R, T)
6=3.10mm (N, R)
7=5.20mm (N, R, T)
77=7.30mm (N, T)
8=2.30mm (S)
9=3.80mm (N, R, T)

CIRCUIT



PACKAGE

<Tube>

75 pcs

<Tape & Reel>

DTSGMW-66: 2000 pcs

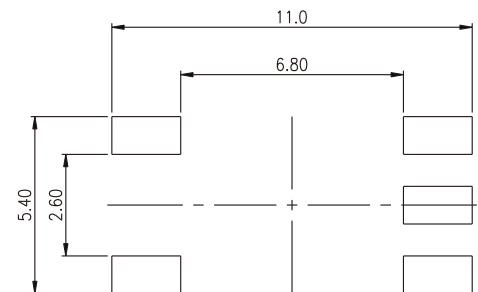
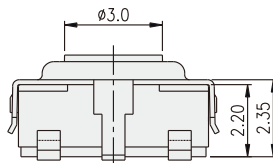
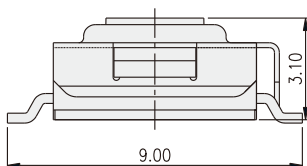
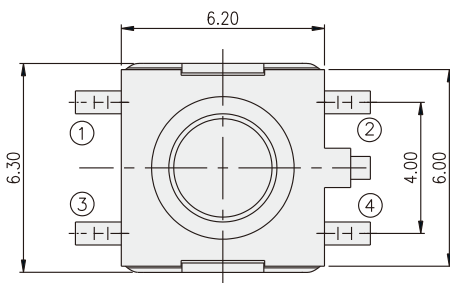
DTSMW-68, 66: 2000 pcs

DTSMW-69, 65: 1900 pcs

DTSMW-67, 64: 900 pcs

DTSMW-677: 650 pcs

DTSGMW-66



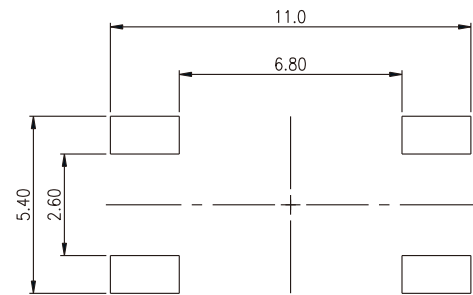
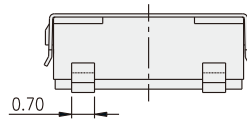
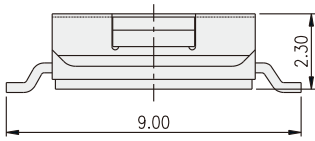
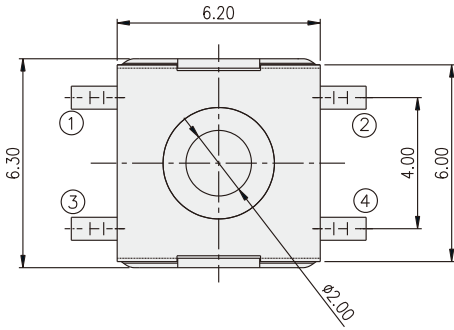
P.C.B. LAYOUT

TACT SWITCH
DTS(G)MW-6 SERIES

6x6 Gull-Wing SMT
 Washable Type



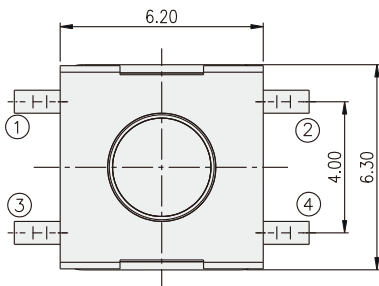
DTSMW-68



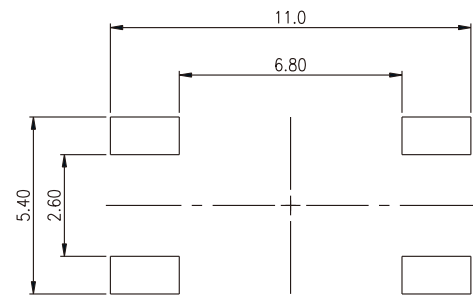
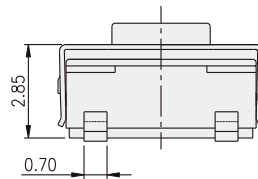
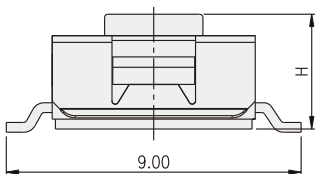
P.C.B. LAYOUT

TACT SWITCH

DTSMW-6 □



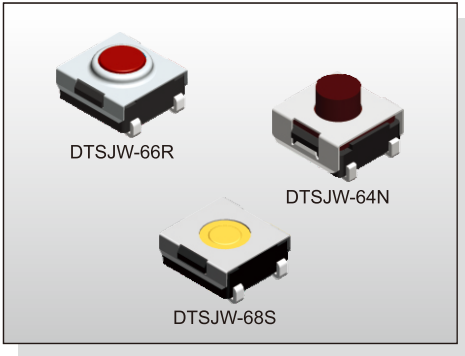
PART NO.	H
DTSMW-64	4.50
DTSMW-65	3.50
DTSMW-67	5.20
DTSMW-69	3.80
DTSMW-677	7.30



P.C.B. LAYOUT

TACT SWITCH DTSJW-6 SERIES

6x6 J SMT
Washable Type



FEATURES

- ※Sealed
- ※Reflow solderable
- ※Dust proof with high reliability

APPLICATION

- ※Audio, OA equipment
- ※Instrumentation, Communication
- ※White goods

SPECIFICATION

Contact Rating	50mA, 12V DC
Contact Resistance	100mΩ max.
Insulation Resistance	100MΩ min. 500V DC
Dielectric Strength	250V AC/1 minute
Operating Force	160±50gf, Brown(N) 66/677 160±50gf, Silver(S) 68 180±50gf, Brown(N) 69/67/65/64 260±70gf, Red(R) 69/67/66/65/64 360±90gf, Transparent(T) 69/67/65/677
Travel	0.25mm 68S/66N/66R/677 0.45mm (69/67N,R)/(65/64N,R,T) 0.6mm 69/67T
Operating Life	100,000 cycles min. for 68/66/677 500,000 cycles min. for 69/67/65/64
Operating Temp.	-25°C ~ +70°C
Storage Temp.	-30°C ~ +80°C

HOW TO ORDER

D T S J W - 6 □ □ - □ □ - □ □

J Bend

Washable

Dimension H:

- 4=4.50mm (N, R)
- 5=3.50mm (N, R, T)
- 6=3.10mm (N, R)
- 7=5.20mm (N, R, T)
- 77=7.30mm (N, T)
- 8=2.30mm (S)
- 9=3.80mm (N, R, T)

Package:

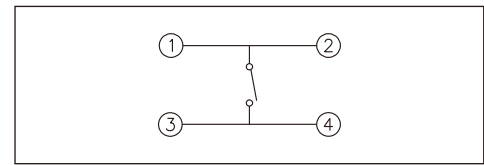
- B=Tube
- T/R=Tape & Reel

V=RoHS & Lead Free Solderable
Q=Halogen Free

Operating Force:

- N=Brown, 160gf(66N, 677N)
- 180gf(69N, 67N, 65N, 64N)
- S=Silver, 160gf(68S)
- R=Red, 260gf(69R, 67R, 66R, 65R, 64R)
- T=Transparent, 360gf (69T, 67T, 65T, 677T)

CIRCUIT



PACKAGE

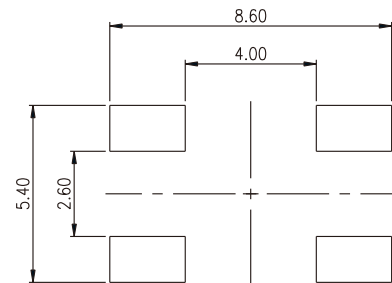
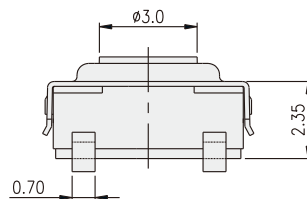
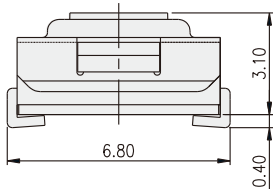
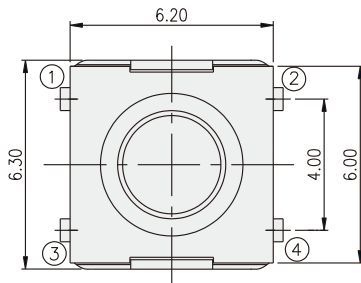
<Tube>

75 pcs

<Tape & Reel>

- DTSJW-64, 67: 900 pcs
- DTSJW-65, 69: 1800 pcs
- DTSJW-66: 1900 pcs
- DTSJW-68: 2000 pcs
- DTSJW-677: 650 pcs

DTSJW-66



P.C.B. LAYOUT

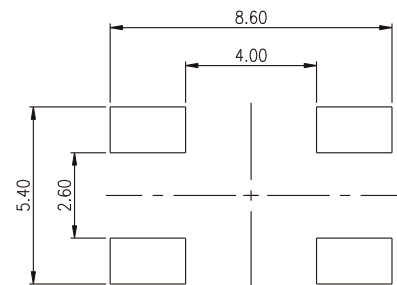
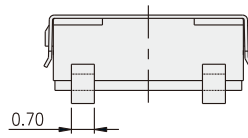
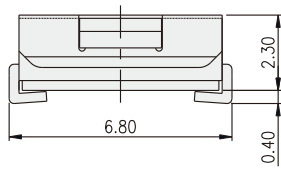
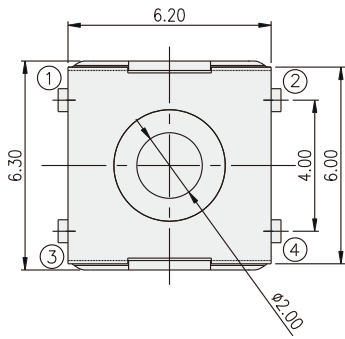
TACT SWITCH

TACT SWITCH
DTSJW-6 SERIES

6x6 J SMT
 Washable Type



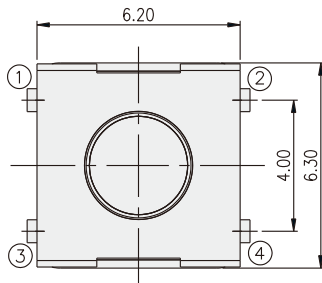
DTSJW-68



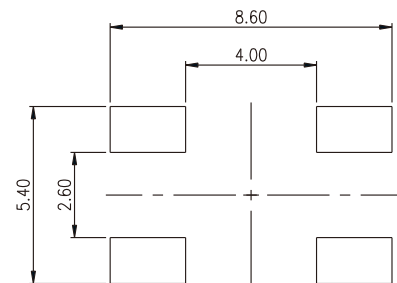
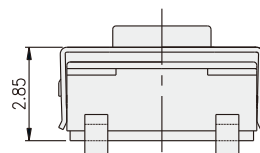
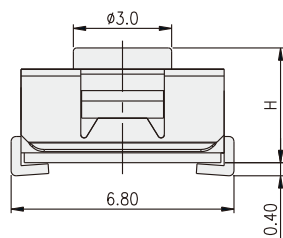
P.C.B. LAYOUT

TACT SWITCH

DTSJW-6□



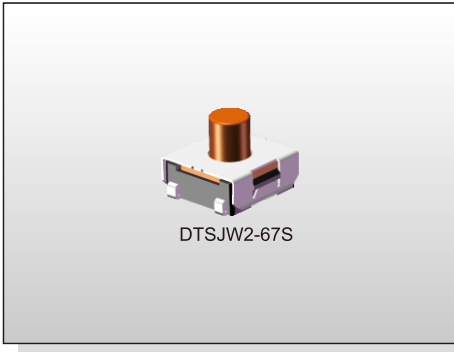
PART NO.	H
DTSJW-64	4.50
DTSJW-65	3.50
DTSJW-67	5.20
DTSJW-69	3.80
DTSJW-677	7.30



P.C.B. LAYOUT

TACT SWITCH DTSJW()-6 SERIES

6x6 J SMT
Washable Type



FEATURES

- ※ Sealed
- ※ Gold contact available
- ※ Dust proof with high reliability

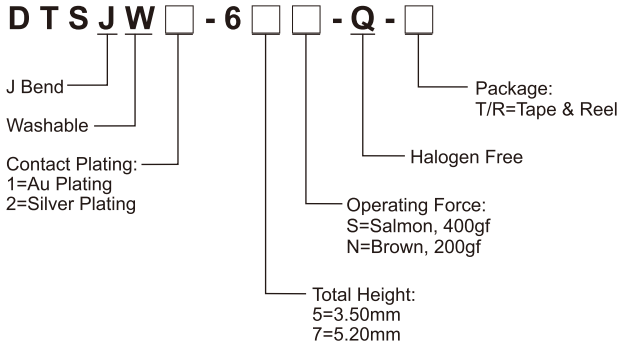
APPLICATION

- ※ Audio, OA equipment
- ※ Instrumentation, Communication
- ※ White goods

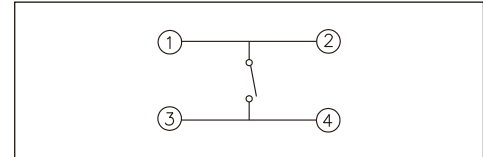
SPECIFICATION

Contact Rating	50mA, 12V DC
Contact Resistance	100mΩ max.
Insulation Resistance	100MΩ min. 500V DC
Dielectric Strength	250V AC/1 minute
Operating Force	200±50gf, 400±100gf
Travel	0.4/0.6mm
Operating Life	300, 000 cycles
Operating Temp.	-40°C ~ +85°C
Storage Temp.	-40°C ~ +85°C

HOW TO ORDER



CIRCUIT



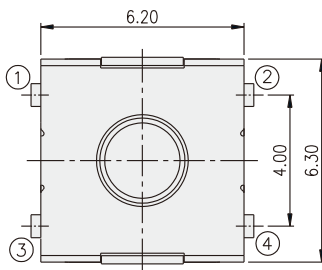
PACKAGE

<Tape & Reel>

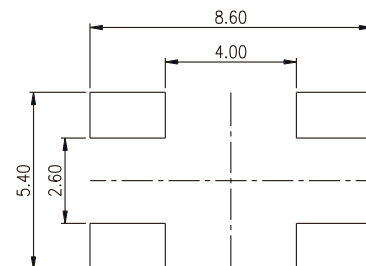
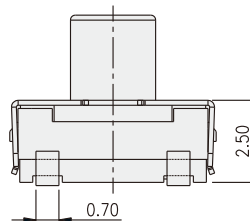
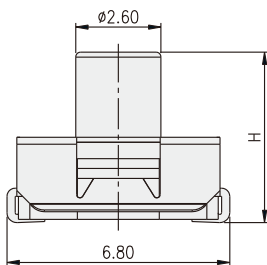
DTSJW□-65: 1900 pcs
DTSJW□-67: 900 pcs

TACT SWITCH

DTSJW□-6



PART NO.	H
DTSJW□-65	3.50
DTSJW□-67	5.20



P.C.B. LAYOUT

TACT SWITCH
DTSYHL-6 SERIES

6x6 Through Hole Type
(Pitch 4.0mm)



FEATURES

- ※Low profile with 2.5-3.5mm height
- ※Snap-in type
- ※Sharp click feeling

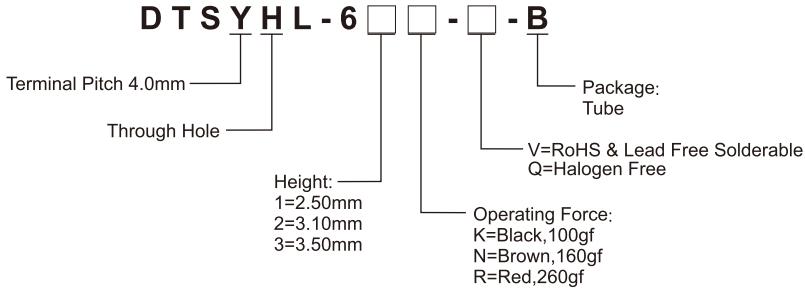
APPLICATION

- ※Audio, OA equipment
- ※Instrumentation
- ※Industrial

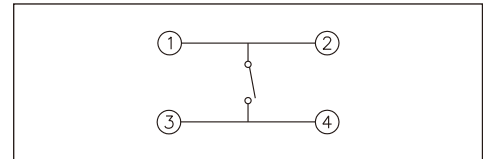
SPECIFICATION

Contact Rating	50mA, 12V DC
Contact Resistance	100mΩ max.
Insulation Resistance	100MΩ min. 500V DC
Dielectric Strength	250V AC/1 minute
Operating Force	100±50gf, Black(K) 160±50gf, Brown(N) 260±50gf, Red(R)
Travel	0.25mm
Operating Life	100,000 cycles for 260gf 1,000,000 cycles for 160, 100gf
Operating Temp.	-25°C ~ +70°C
Storage Temp.	-40°C ~ +70°C

HOW TO ORDER



CIRCUIT

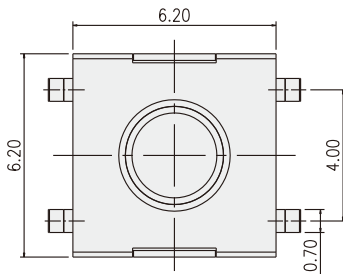


PACKAGE

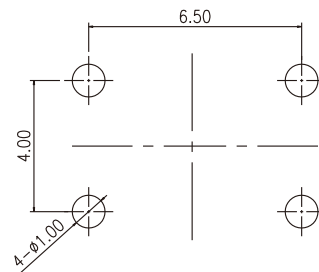
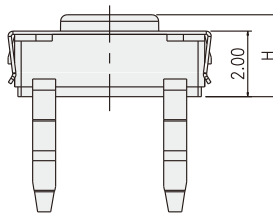
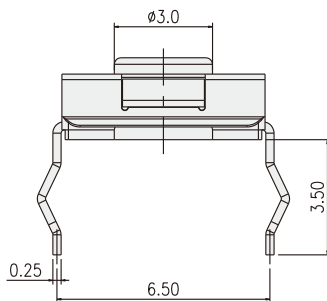
<Tube>
75 pcs

TACT SWITCH

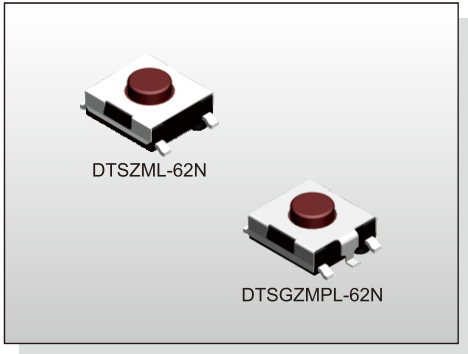
DTSYHL-6



PART NO.	H
DTSYHL-61	2.50
DTSYHL-62	3.10
DTSYHL-63	3.50



P.C.B. LAYOUT



FEATURES

- ※ Thinner type with 2.5-5.25mm height
- ※ Ground terminal available
- ※ Reflow solderable

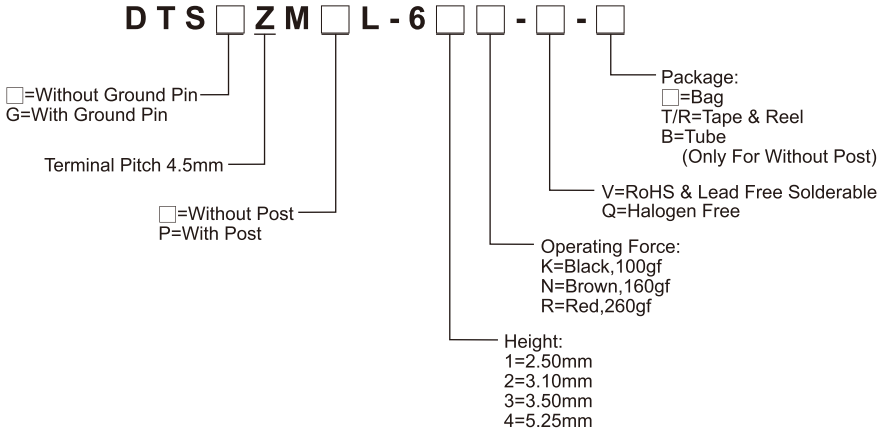
APPLICATION

- ※ Audio, OA equipment
- ※ Instrumentation
- ※ Consumer electronics

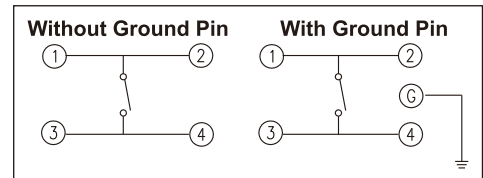
SPECIFICATION

Contact Rating	50mA, 12V DC
Contact Resistance	100mΩ max.
Insulation Resistance	100MΩ min. 500V DC
Dielectric Strength	250V AC/1 minute
Operating Force	100±50gf, Black(K) 160±50gf, Brown(N) 260±50gf, Red(R)
Travel	0.25mm
Operating Life	100,000 cycles for 260gf 1,000,000 cycles for 160, 100gf
Operating Temp.	-25°C ~ +70°C
Storage Temp.	-30°C ~ +80°C

HOW TO ORDER



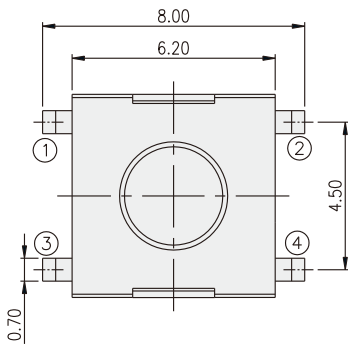
CIRCUIT



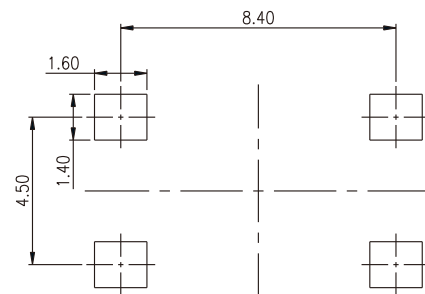
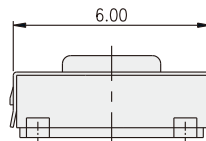
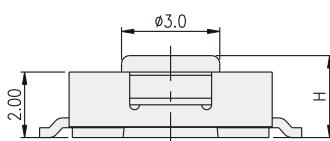
PACKAGE

- <Tube>
 75 pcs
- <Tape & Reel>
 DTS(G)ZML-61□: 2500 pcs
 DTS(G)ZML-62□: 2500 pcs
 DTS(G)ZMPL-61, 62: 1200 pcs
 DTS(G)ZM(P)L-63: 1200 pcs
 DTS(G)ZML(P)L-64: 900 pcs

DTSZML-6

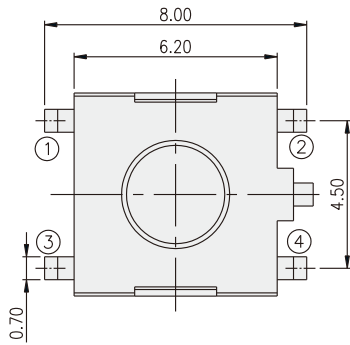


PART NO.	H
DTS□ZML-61	2.50
DTS□ZML-62	3.10
DTS□ZML-63	3.50
DTS□ZML-64	5.25

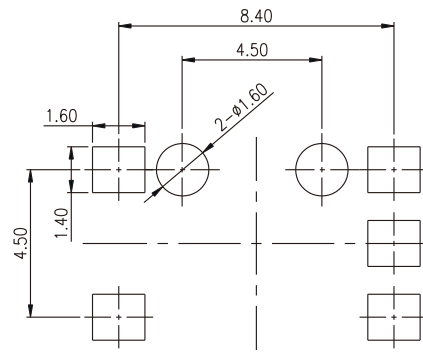
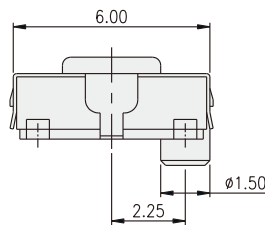
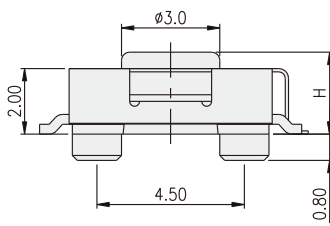


P.C.B. LAYOUT

DTSGZMPL-6



PART NO.	H
DTS□ZMPL-61	2.50
DTS□ZMPL-62	3.10
DTS□ZMPL-63	3.50
DTS□ZMPL-64	5.25

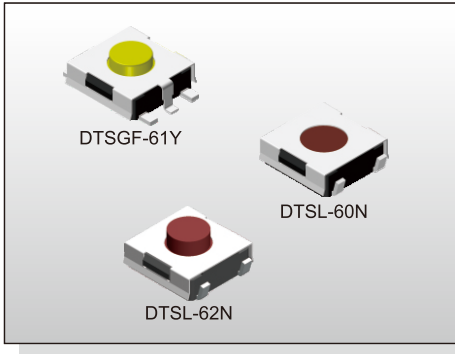


P.C.B. LAYOUT

TACT SWITCH

TACT SWITCH DTS(G)(L)(F)-6 SERIES

6x6 Thinner Type With Ground Terminal
(Pitch 4.0mm)



FEATURES

- ※ Thinner type with 2.0-3.1mm height
- ※ Ground terminal available
- ※ Reflow solderable

APPLICATION

- ※ Audio, OA equipment
- ※ Instrumentation
- ※ White goods

SPECIFICATION

Contact Rating	50mA, 12V DC
Contact Resistance	100mΩ max.
Insulation Resistance	100MΩ min. 500V DC
Dielectric Strength	250V AC/1 minute
Operating Force	100±50gf, Black(K) 160±50gf, Brown(N) 200±50gf, Brown(N) 62 Only 260±50gf, Red(R) 320±80gf, White(S) 520±130gf, Yellow(Y)
Travel	0.25mm
Operating Life	300,000 cycles for 520/320gf 500,000 cycles for 260/200gf 1,000,000 cycles for 160/100gf
Operating Temp.	-25°C ~ +70°C
Storage Temp.	-30°C ~ +80°C

HOW TO ORDER

D T S - **6** -

=Without Ground Pin
G=With Ground Pin

L=L S.M.T.
F=F S.M.T.

Total Height:
0=2.00mm
1=2.50mm
2=3.10mm

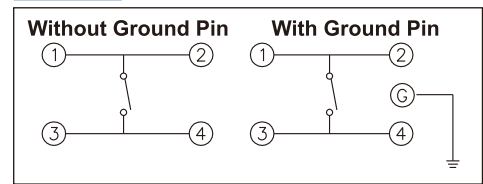
Operating Force:
K=Black, 100gf
N=Brown, 160gf
R=Red, 260gf
S=White, 320gf
Y=Yellow, 520gf
N=Brown, 200gf <Soft actuator 62 Only>

Package:
B=Tube
T/R=Tape & Reel

V=RoHS & Lead Free Solderable
Q=Halogen Free

Actuator Type:
=Soft <62> / Hard <60, 61>
P=Hard <62 Only>

CIRCUIT



PACKAGE

<Tube>

75 pcs

<Tape & Reel>

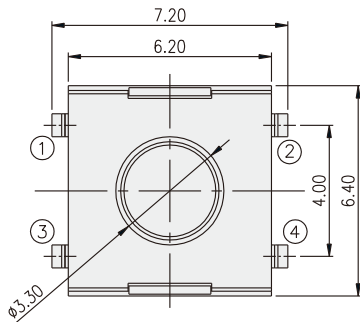
DTS(G)F-60 / DTSF-61 : 3000 pcs

DTS(G)L-60 / DTS(G)L-61 : 2700 pcs

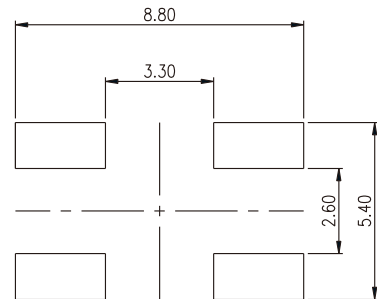
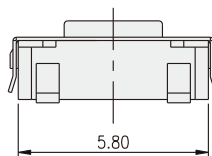
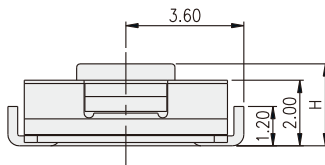
DTS(G)L-62 / DTS(G)F-62 : 2500 pcs

DTSGF-61 : 2500 pcs

DTSL-6



PART NO.	H
DTSL-60	2.00
DTSL-61	2.50
DTSL-62	3.10



P.C.B. LAYOUT

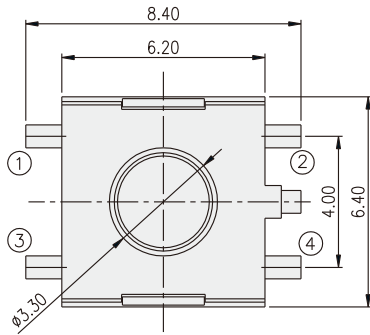
TACT SWITCH

TACT SWITCH
DTS(G)(L)(F)-6 SERIES

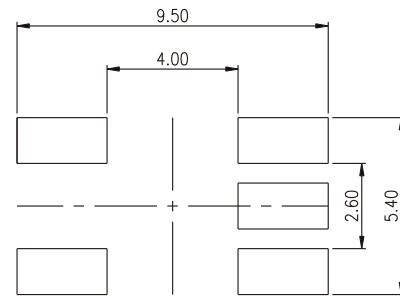
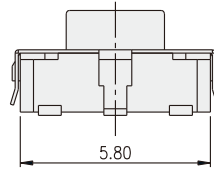
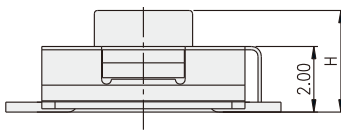
6x6 Thinner Type With Ground Terminal
 (Pitch 4.0mm)



DTSGF-6



PART NO.	H
DTSGF-60	2.00
DTSGF-61	2.50
DTSGF-62	3.10

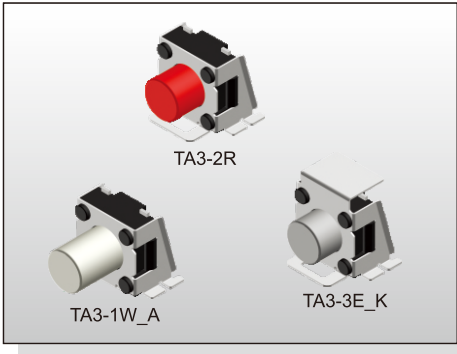


P.C.B. LAYOUT

TACT SWITCH

TACT SWITCH
TA3 SERIES

6x6 Right Angle Type
With Supporting Terminal & Tab Available



FEATURES

- ※Sealed type IP57
- ※Extended bracket available
- ※Easy to pick & place with top tab

APPLICATION

- ※Data storage, Server
- ※Instrumentation
- ※Audio, OA equipment

SPECIFICATION

Contact Rating	50mA, 12V DC
Contact Resistance	100mΩ max.
Insulation Resistance	10MΩ min. 500V DC
Dielectric Strength	250V AC/1 minute
Operating Force	185±50gf, 260±50gf
Travel	0.15mm
Operating Life	200, 000 cycles
Operating Temp.	-25°C ~ +70°C
Storage Temp.	-30°C ~ +80°C

HOW TO ORDER

TA3 - [] [] [] [] [] - [] [] [] [] []

Stem Height:
1=4.35mm
2=2.80mm
3=2.30mm
4=4.00mm
6=1.12mm

Color Of Stem:
W=White
R=Red
E=Gray

Operating Force:
2=185gf
3=260gf

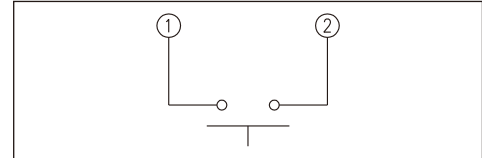
Package:
T/R=Tape & Reel
V=RoHS & Lead Free Solderable
Q=Halogen Free

[]=Silver Plating
S=Silicone Stem, Terminal Silver Plating (For TA3-3)

[]=Without Tab
K=Tab for auto-dipping

[]=With Solder Pad
A=Without Solder Pad

CIRCUIT

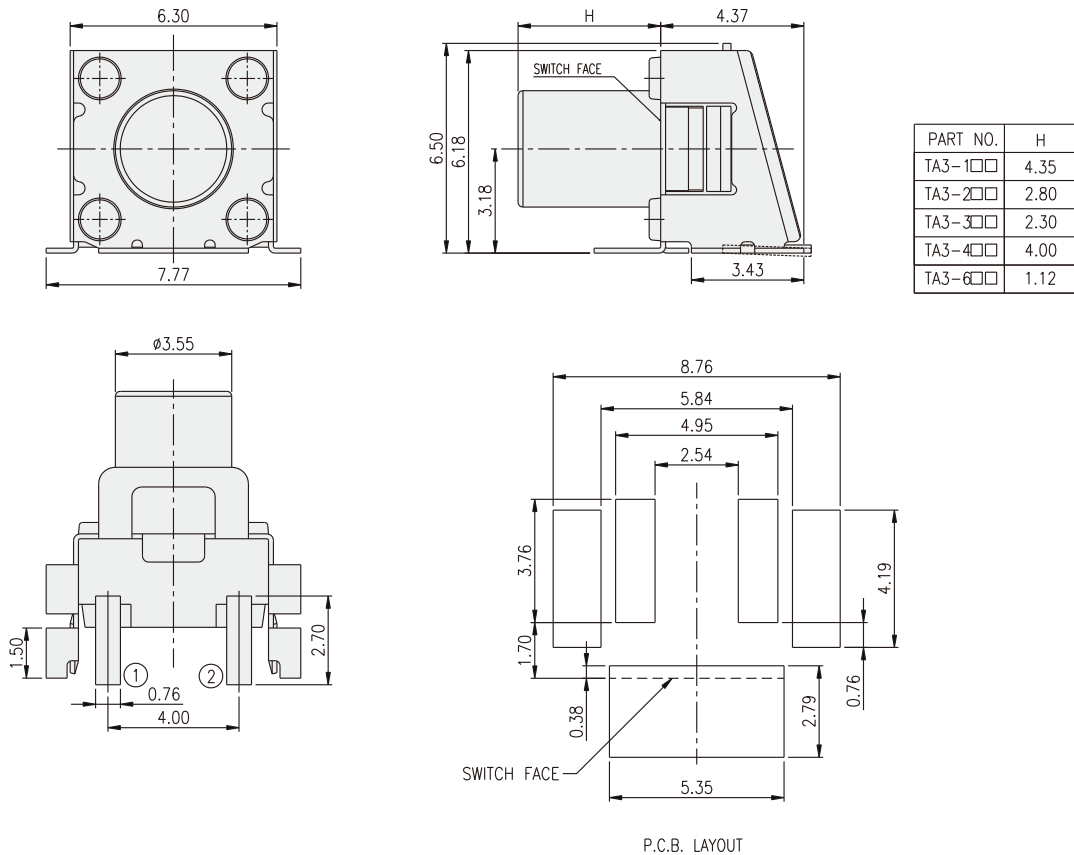


PACKAGE

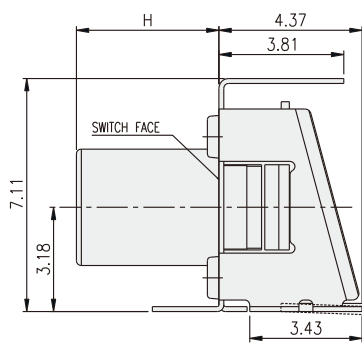
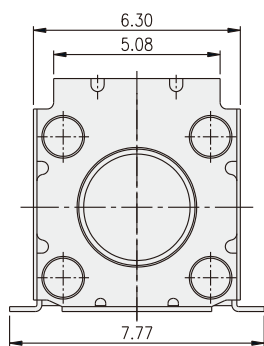
<Tape & Reel>
TA3: 600 pcs
TA3-[] [] [] K: 550 pcs

TACT SWITCH

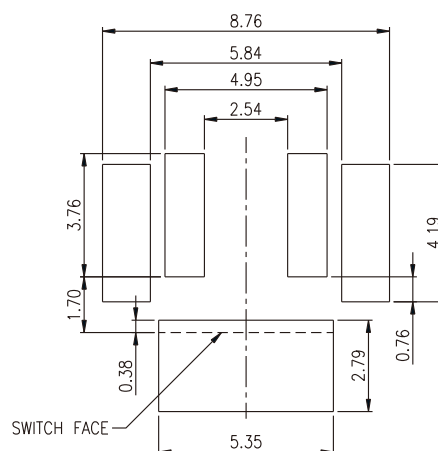
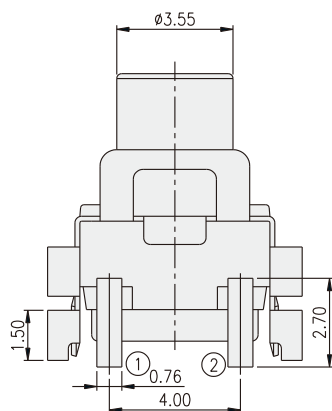
TA3-[] []



TA3-□□K



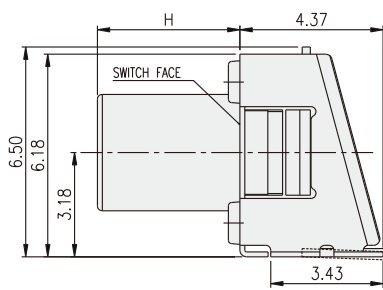
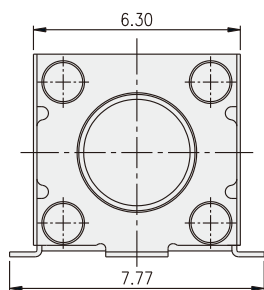
PART NO.	H
TA3-1□□K	4.35
TA3-2□□K	2.80
TA3-3□□K	2.30
TA3-4□□K	4.00
TA3-6□□K	1.12



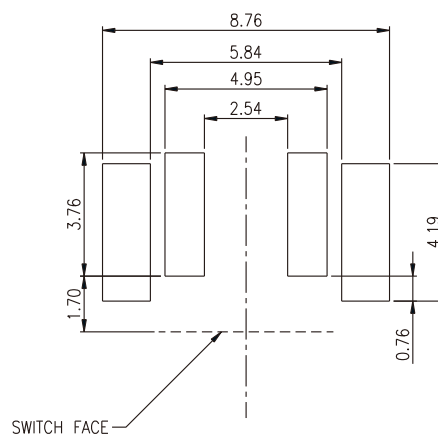
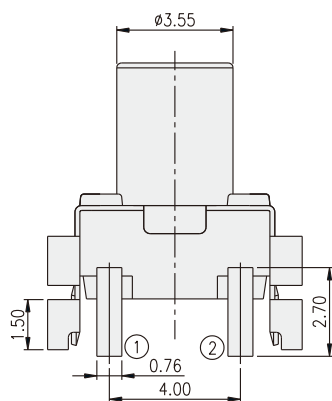
P.C.B. LAYOUT

TACT SWITCH

TA3-□□A



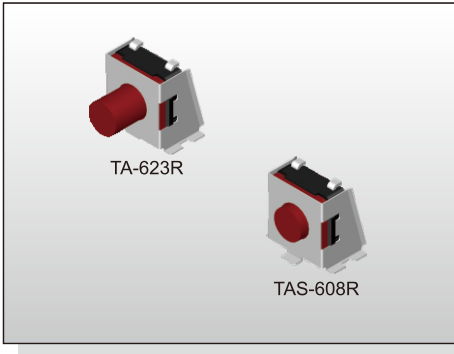
PART NO.	H
TA3-1□□A	4.35
TA3-2□□A	2.80
TA3-3□□A	2.30
TA3-4□□A	4.00
TA3-6□□A	1.12



P.C.B. LAYOUT

TACT SWITCH
TA-6 SERIES

6x6 SMT & Right Angle Type
Soft Stem



FEATURES

- ※Right angle (SMT type)
- ※Support terminal available
- ※Reflow solderable

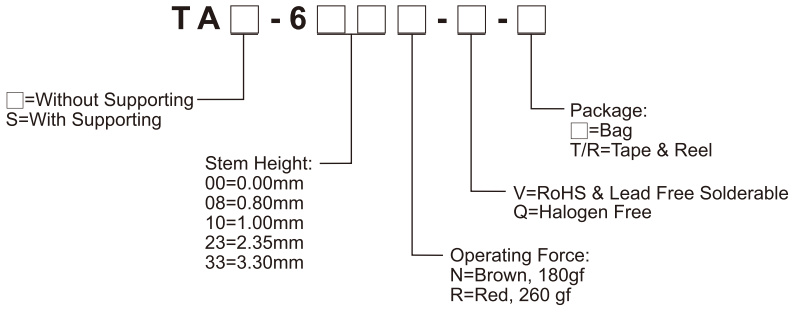
APPLICATION

- ※Audio, OA equipment
- ※Instrumentation
- ※Hair dryers

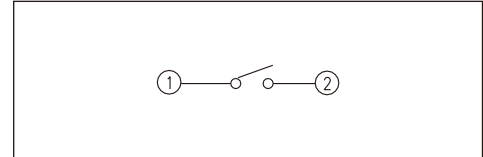
SPECIFICATION

Contact Rating	50mA, 12V DC
Contact Resistance	100mΩ max.
Insulation Resistance	100MΩ min. 500V DC
Dielectric Strength	250V AC/1 minute
Operating Force	180±50gf, Brown(N) 260±70gf, Red(R)
Travel	0.45mm
Operating Life	500, 000 cycles
Operating Temp.	-25°C ~ +70°C
Storage Temp.	-30°C ~ +80°C

HOW TO ORDER



CIRCUIT

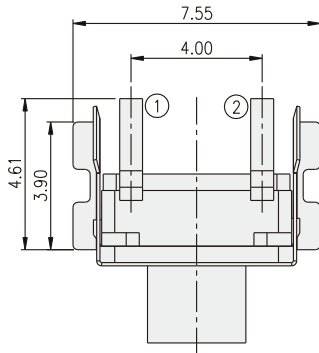


PACKAGE

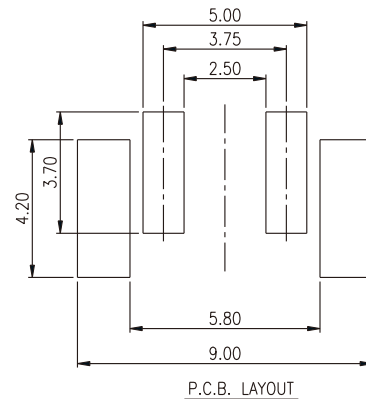
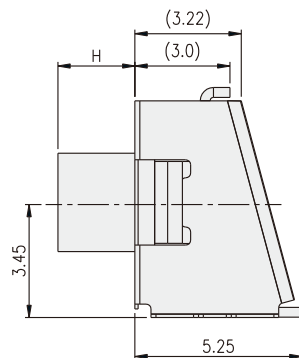
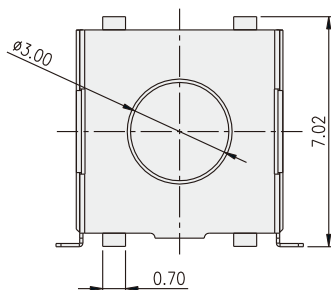
<Bag>
500 pcs
<Tape & Reel>
TA(S)-600 / 608 / 610 / 623: 700 pcs
TA(S)-633: 500 pcs

TACT SWITCH

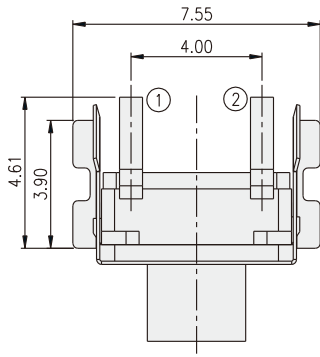
TA-6



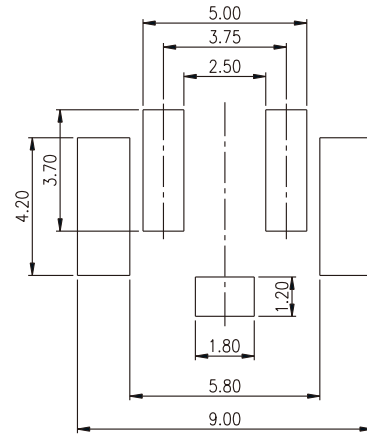
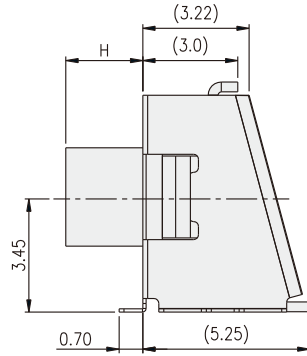
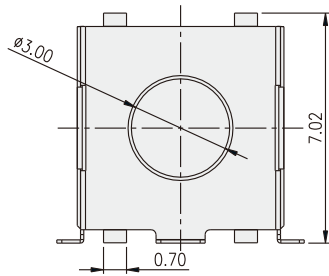
PART NO.	H
TA-600	0
TA-608	0.80
TA-610	1.00
TA-623	2.35
TA-633	3.30



TAS-6



PART NO.	H
TAS-600	0
TAS-608	0.80
TAS-610	1.00
TAS-623	2.35
TAS-633	3.30

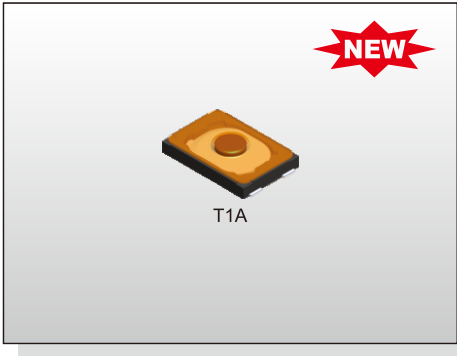


P.C.B. LAYOUT

TACT SWITCH

TACT SWITCH
T1A SERIES

2.8*1.9 J Terminal SMT Type
 (H=0.50mm)



T1A

FEATURES

- ※ Compact-size 2.8*1.9mm
- ※ Low profile with 0.50mm
- ※ Long operation cycles

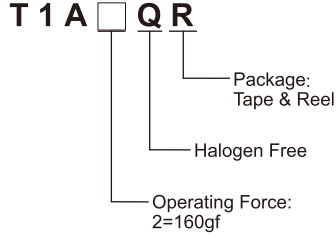
APPLICATION

- ※ Smart phone
- ※ Digital camera, Medical
- ※ Portable electronic device
- ※ 3C products

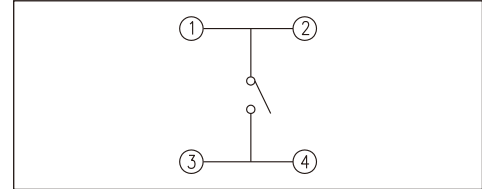
SPECIFICATION

Contact Rating	10uA, 1V DC to 50mA, 12V DC
Contact Resistance	500mΩ max.
Insulation Resistance	100MΩ min. 100V DC
Dielectric Strength	100V AC/1 minute
Operating Force	160±50gf
Travel	0.13mm
Operating Life	300,000 cycles
Operating Temp.	-40°C ~ +85°C
Storage Temp.	-40°C ~ +85°C

HOW TO ORDER



CIRCUIT

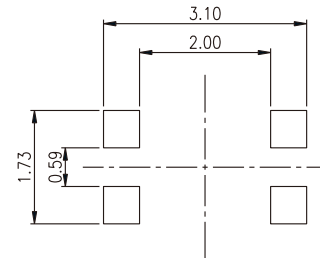
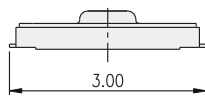
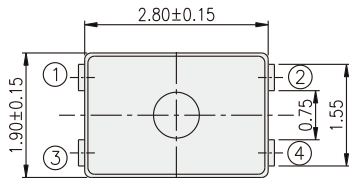


PACKAGE

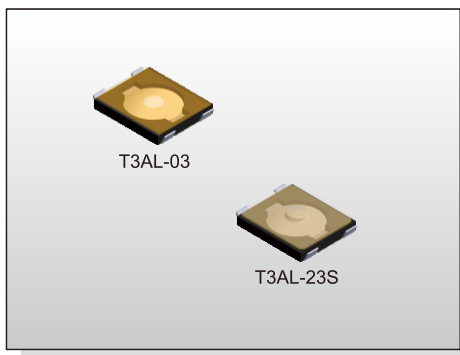
<Tape & Reel>
 16000 pcs

TACT SWITCH

T1A



P.C.B. LAYOUT



FEATURES

- ※ Compact-sized 2.6x3mm
- ※ Low profile with 0.45mm / 0.65mm

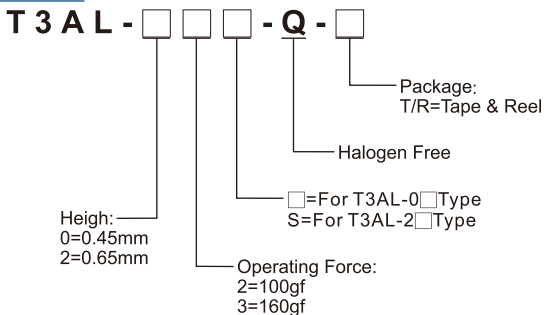
APPLICATION

- ※ Smart phone
- ※ Digital camera, Medical
- ※ Portable electronic device

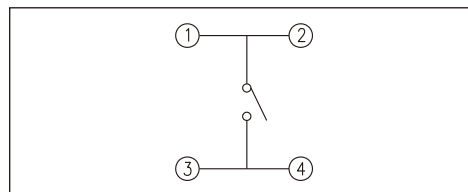
SPECIFICATION

Contact Rating	50mA, 12V DC
Contact Resistance	500mΩ max.
Insulation Resistance	50MΩ min. 100V DC
Dielectric Strength	250V AC/1 minute
Operating Force	100±50gf, 160±50gf
Travel	0.15mm
Operating Life	100,000 cycles
Operating Temp.	-40°C ~ +85°C
Storage Temp.	-40°C ~ +85°C

HOW TO ORDER



CIRCUIT

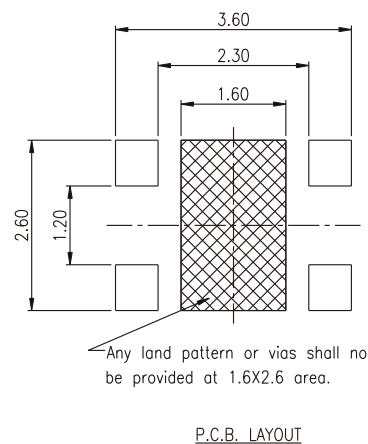
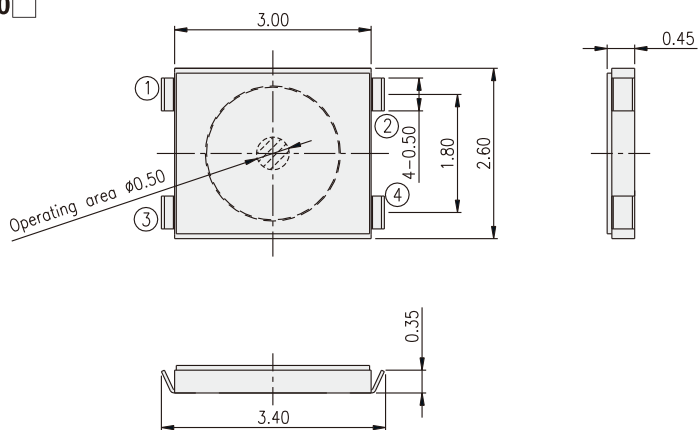


PACKAGE

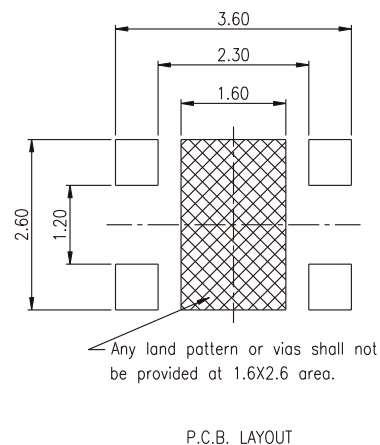
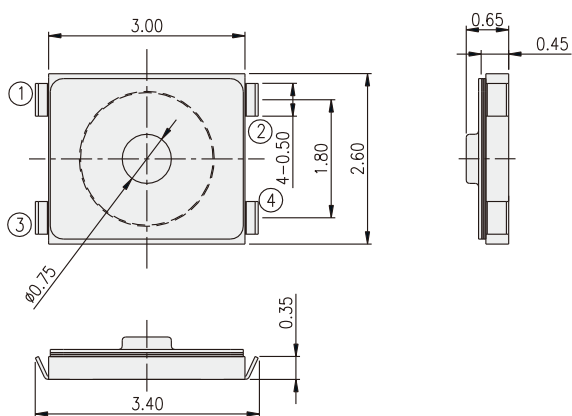
<Tape & Reel>
8000 pcs

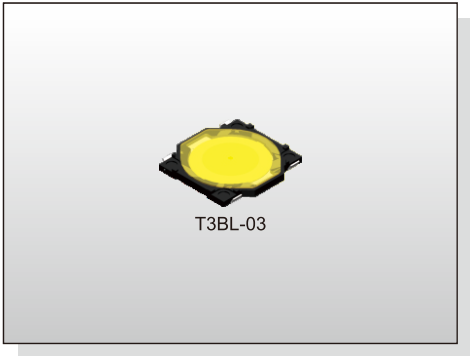
TACT SWITCH

T3AL-0□



T3AL-2□S





FEATURES

- ※ Compact-sized 3.7x3.7mm
- ※ Low profile of 0.35mm height
- ※ 500,000 life cycles operating

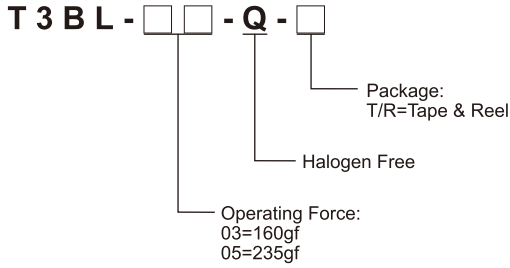
APPLICATION

- ※ Smart phone
- ※ Digital camera, Medical
- ※ Portable electronic device

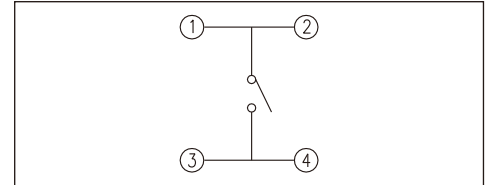
SPECIFICATION

Contact Rating	50mA, 12V DC
Contact Resistance	100mΩ max.
Insulation Resistance	100MΩ min. 100V DC
Dielectric Strength	100V AC/1 minute
Operating Force	160±50gf/235±60gf
Travel	0.15mm
Operating Life	50,000 cycles for 235gf 500,000 cycles for 160gf
Operating Temp.	-40°C ~ +85°C
Storage Temp.	-40°C ~ +85°C

HOW TO ORDER



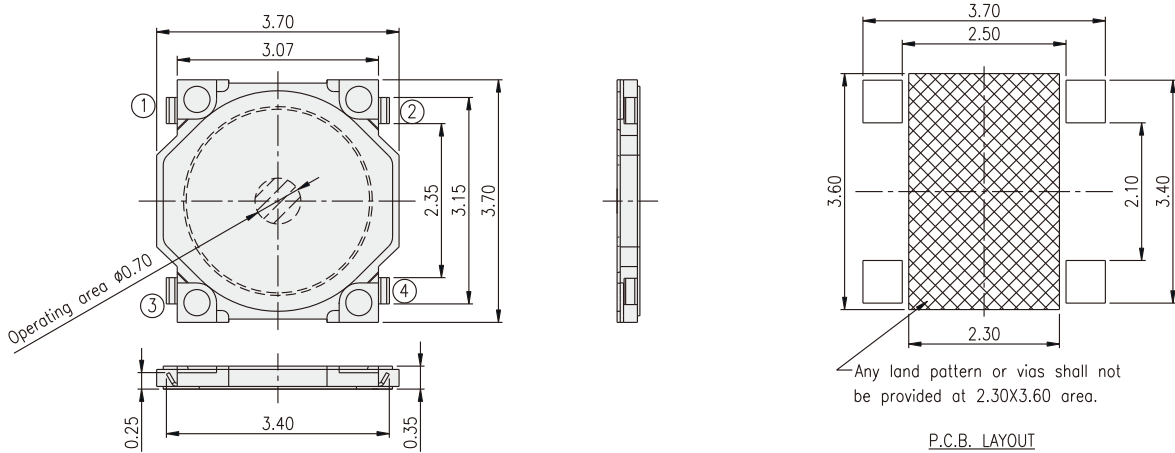
CIRCUIT

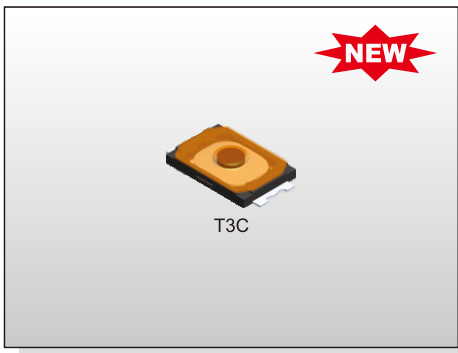


PACKAGE

<Tape & Reel>
8000 pcs

T3BL





T3C

FEATURES

- ※ Compact-size 3.0*2.0mm
- ※ Low profile with 0.60mm
- ※ Long operation cycles

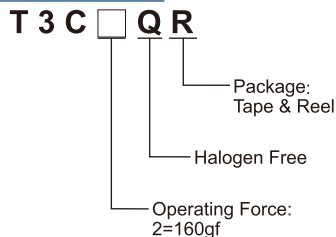
APPLICATION

- ※ Smart phone
- ※ Digital camera, Medical
- ※ Portable electronic device
- ※ 3C products

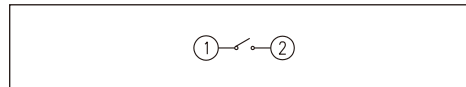
SPECIFICATION

Contact Rating	10uA, 1V DC to 50mA, 12V DC
Contact Resistance	500mΩ max.
Insulation Resistance	100MΩ min. 100V DC
Dielectric Strength	100V AC/1 minute
Operating Force	160±50gf
Travel	0.13mm
Operating Life	300,000 cycles
Operating Temp.	-40°C ~ +85°C
Storage Temp.	-40°C ~ +85°C

HOW TO ORDER



CIRCUIT

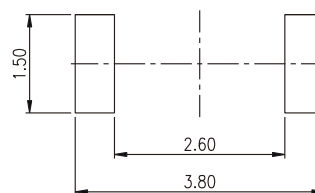
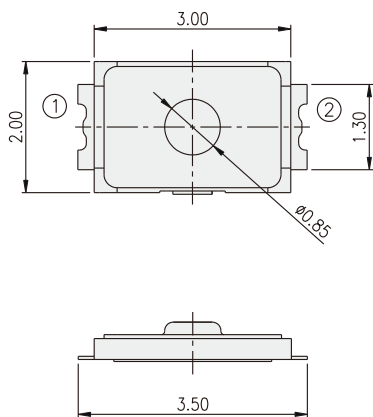


PACKAGE

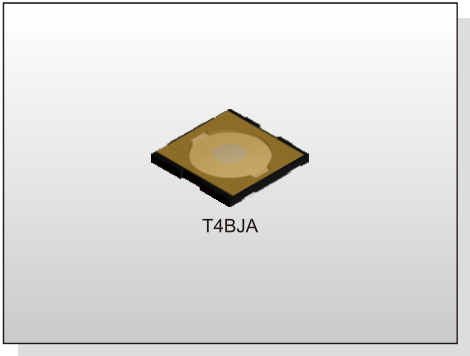
<Tape & Reel>
8000 pcs

TACT SWITCH

T3C



P.C.B. LAYOUT



FEATURES

- ※ Compact-sized 4.8x4.8mm
- ※ Low profile of 0.55mm height
- ※ Long operating life

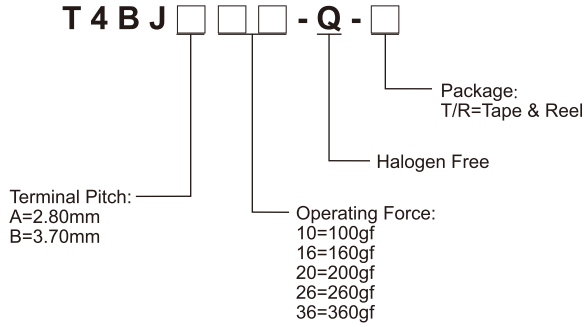
APPLICATION

- ※ Smart phone
- ※ Digital camera, Medical
- ※ Portable electronic device

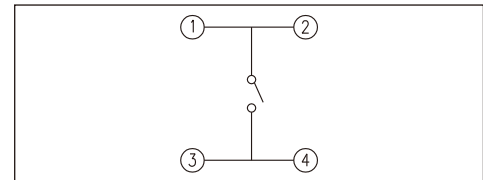
SPECIFICATION

Contact Rating	50mA, 12V DC
Contact Resistance	100mΩ max.
Insulation Resistance	100MΩ min. 100V DC
Dielectric Strength	100V AC/1 minute
Operating Force	100±50gf/160±50gf/200±50gf 260±50gf/360±60gf
Travel	0.2mm
Operating Life	200,000 cycles for 360gf 500,000 cycles for 260/200gf 1,000,000 cycles for 160/100gf
Operating Temp.	-30°C ~ +80°C
Storage Temp.	-40°C ~ +85°C

HOW TO ORDER



CIRCUIT

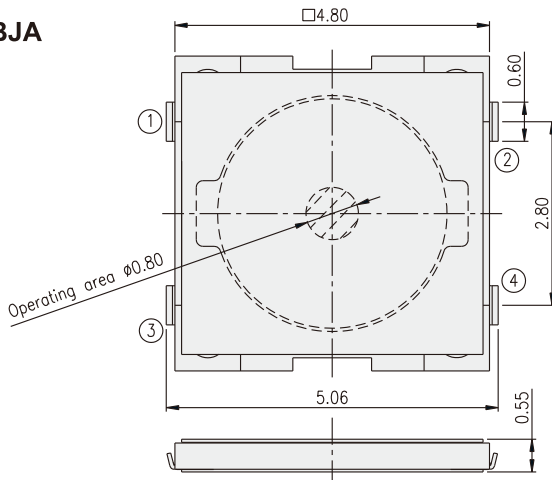


PACKAGE

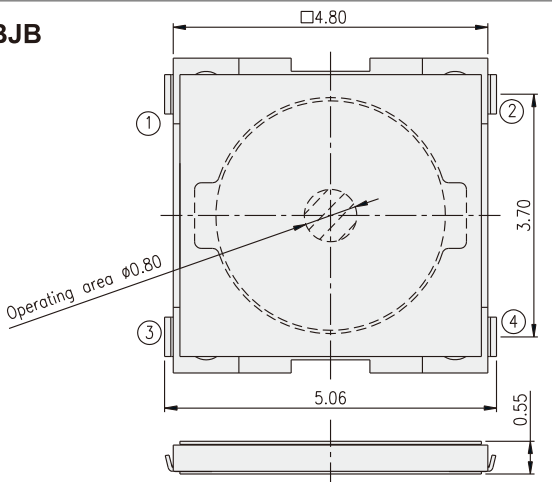
<Tape & Reel>
8000 pcs

TACT SWITCH

T4BJA

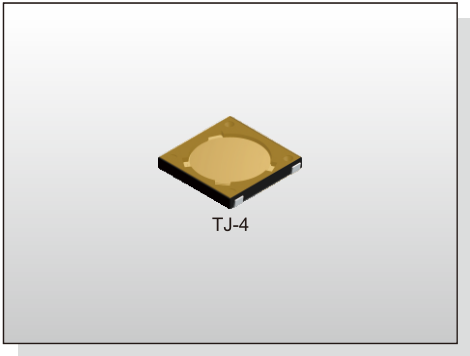


T4BJB



TACT SWITCH
TJ-4 SERIES

4.4x4.4 J Terminal SMT Type
(H: 0.55mm)



FEATURES

- ※ Compact-sized 4.4x4.4mm
- ※ Low profile of 0.55mm height
- ※ Long operating life

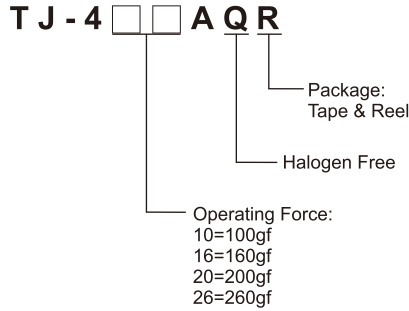
APPLICATION

- ※ Smart phone
- ※ Digital camera, Medical
- ※ Portable electronic device

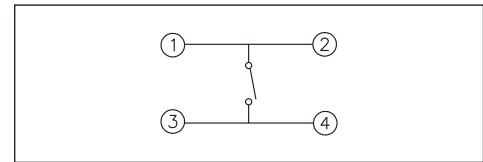
SPECIFICATION

Contact Rating	50mA, 12V DC
Contact Resistance	100mΩ max.
Insulation Resistance	100MΩ min. 500V DC
Dielectric Strength	300V AC/1 minute
Operating Force	100±50gf/160±50gf/200±50gf 260±50gf
Travel	0.2mm
Operating Life	500,000 cycles for 260/200gf 1,000,000 cycles for 160/100gf
Operating Temp.	-20°C ~ +70°C
Storage Temp.	-30°C ~ +80°C

HOW TO ORDER



CIRCUIT

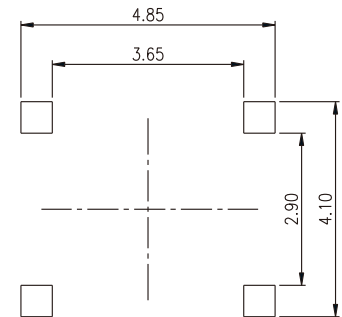
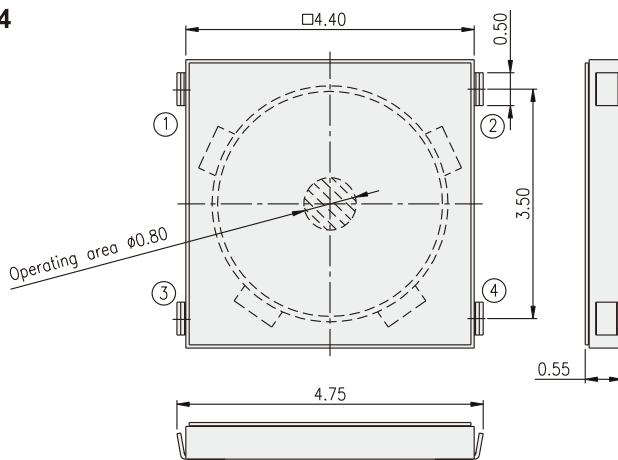


PACKAGE

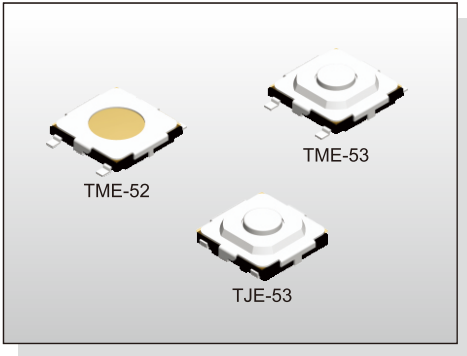
<Tape & Reel>
TJ-4: 8000 pcs

TACT SWITCH

TJ-4



P.C.B. LAYOUT



FEATURES

- ※ Compact-sized 5.2x5.2mm
- ※ Long operating life
- ※ With ground terminal

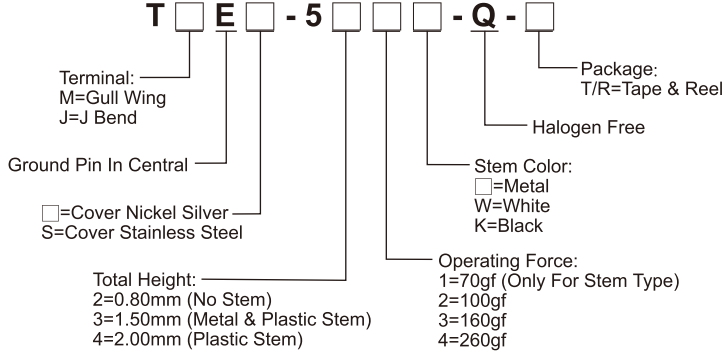
APPLICATION

- ※ Smart phone
- ※ Digital camera, Medical
- ※ Portable electronic device

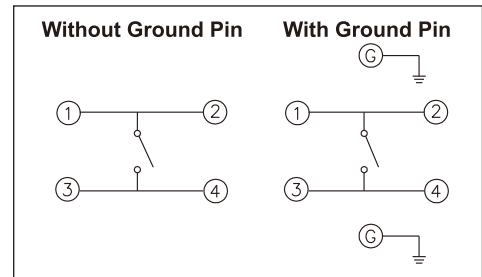
SPECIFICATION

Contact Rating	50mA, 12V DC
Contact Resistance	100mΩ max.
Insulation Resistance	100MΩ min. 500V DC
Dielectric Strength	250V AC/1 minute
Operating Force	70±50gf/ 100±50gf/160±50gf 260±50gf
Travel	0.25mm
Operating Life	200,000 cycles for 260gf 1,000,000 cycles for 160/100/70gf
Operating Temp.	-25°C ~ +70°C
Storage Temp.	-30°C ~ +80°C

HOW TO ORDER



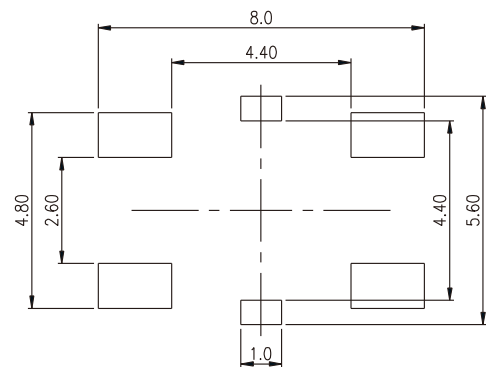
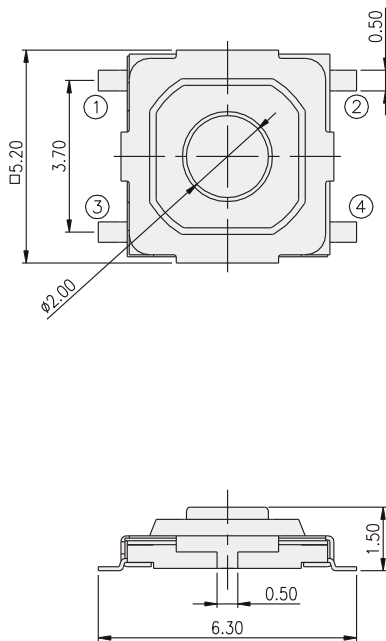
CIRCUIT



PACKAGE

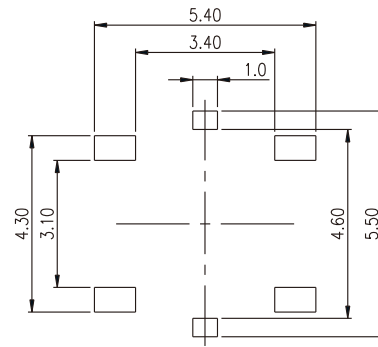
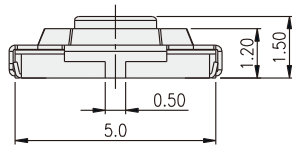
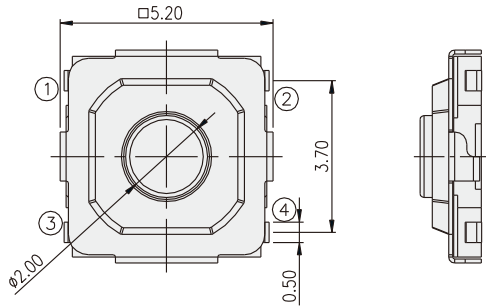
<Tape & Reel>
 T□E-52, 53=4000 pcs
 T□E-54=3000 pcs

TME-5



P.C.B. LAYOUT

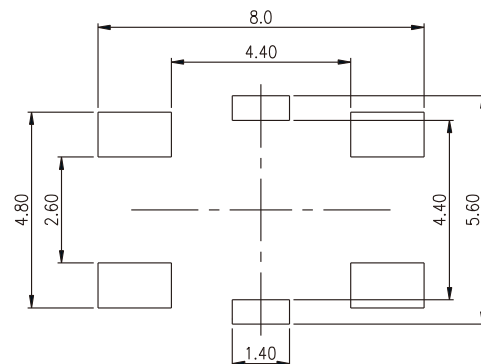
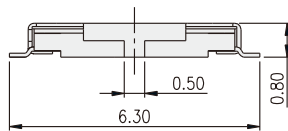
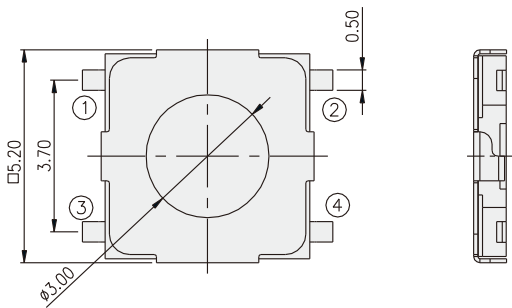
TJE-53



P.C.B. LAYOUT

TACT SWITCH

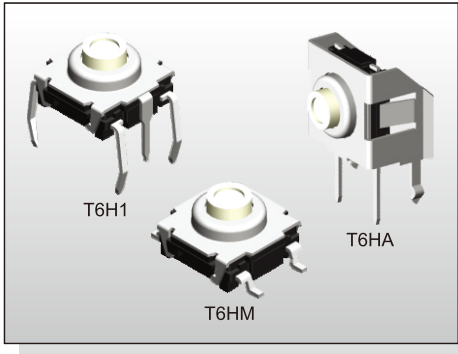
TME-52



P.C.B. LAYOUT

TACT SWITCH
T6H SERIES

7.4x7.4 / 8.0x8.0
Right Angle / Through Hole / SMT Type



FEATURES

- ✘ Support automatic insertion
- ✘ Vertical actuation
- ✘ Dust proof structure

APPLICATION

- ✘ Automotive
- ✘ Industrial
- ✘ Instrumentation

SPECIFICATION

Contact Rating	50mA, 12V DC
Contact Resistance	100mΩ max.
Insulation Resistance	100MΩ min. 100V DC
Dielectric Strength	250V AC/1 minute
Operating Force	130±50gf / 160±50gf 300±50gf / 500±100gf
Travel	0.5mm
Operating Life	200,000 cycles for 500gf 500,000 cycles for 300gf 1,000,000 cycles for 160/130gf
Operating Temp.	-40°C ~ +85°C
Storage Temp.	-40°C ~ +85°C

HOW TO ORDER

T 6 H [] - [] [] [] Q []

A=Right angle series
H=Through holes
M=S.M.T Type
1=6x6 ground terminal type
2=S.M.T ground terminal type

Package Style:
R=Tape & Reel (S.M.T. Type Only)
B=Tube

Halogen Free

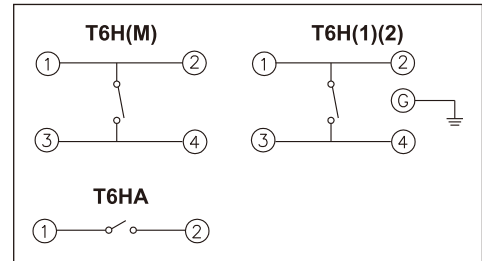
Contact Plating:
G = Plating Ag
A= Plating Au

Operating Force:
2=130gf
3=160gf
5=300gf
6=500gf

Total Height :

SMT/Through hole	Right angle
1=4.70mm	1=6.04mm
2=5.20mm	2=6.54mm
3=6.90mm	3=8.24mm
5=10.0mm	5=11.34mm

CIRCUIT



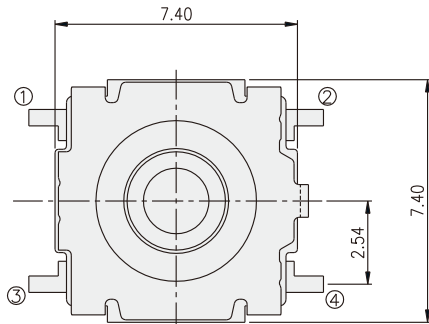
PACKAGE

<Tube>
T6HH, T6H1: 60 pcs
T6HA: 52 pcs

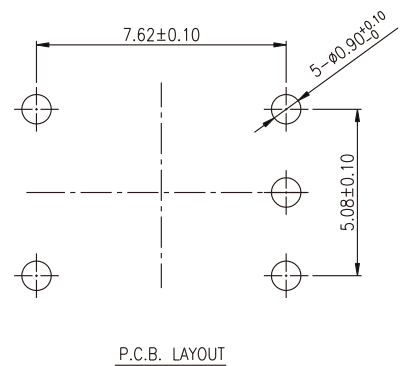
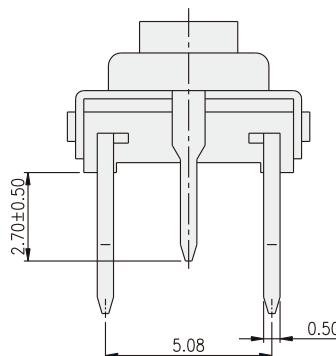
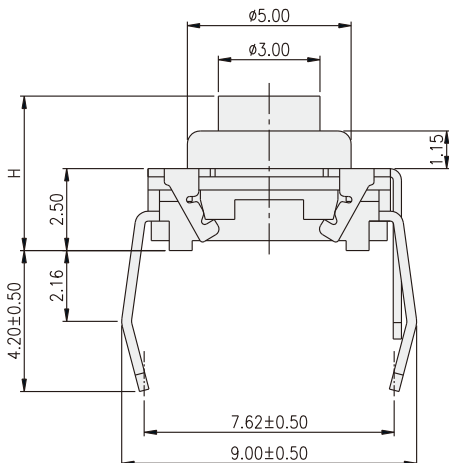
<Tape & Reel>
T6HM-(1)(2): 700 pcs
T6HM-3: 500 pcs
T6HM-5: 350 pcs

TACT SWITCH

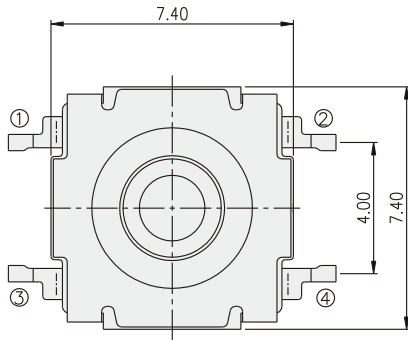
T6H1



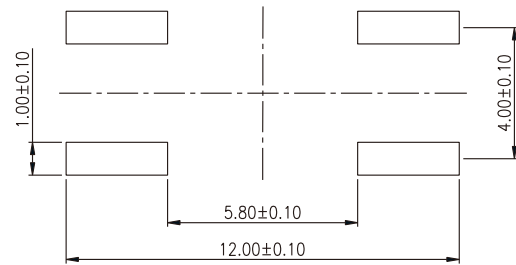
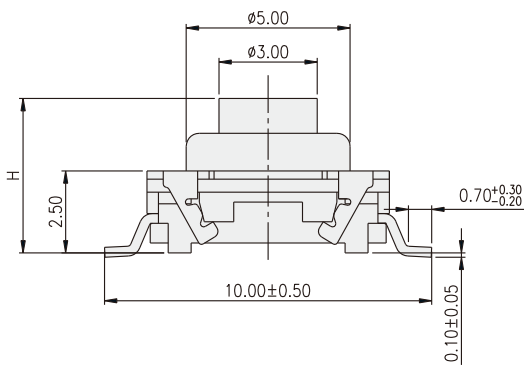
PART NO.	H
T6H1-1	4.70
T6H1-2	5.20
T6H1-3	6.90
T6H1-5	10.00



T6HM



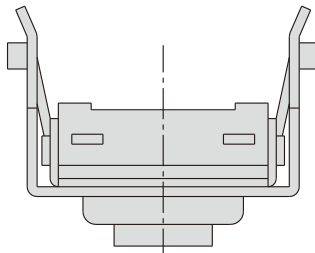
PART NO.	H
T6HM-1	4.70
T6HM-2	5.20
T6HM-3	6.90
T6HM-5	10.00



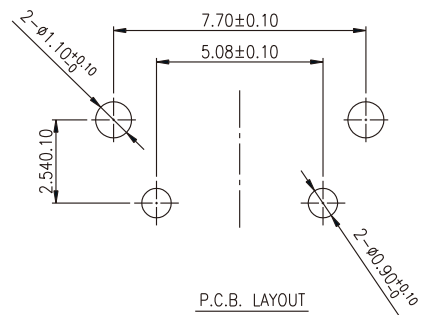
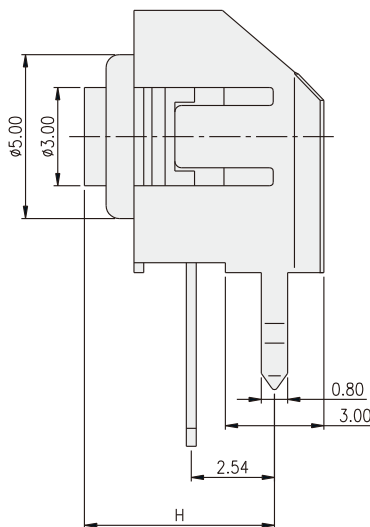
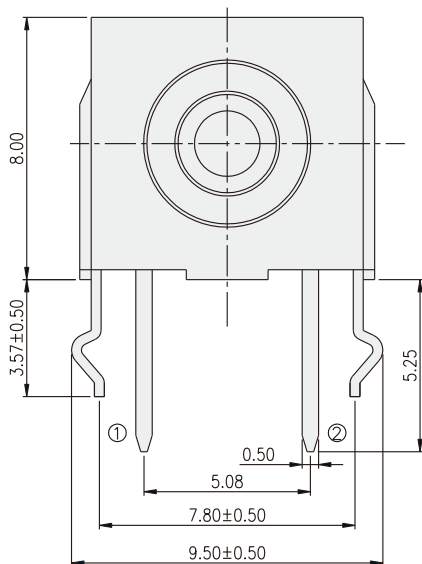
P.C.B. LAYOUT

TACT SWITCH

T6HA



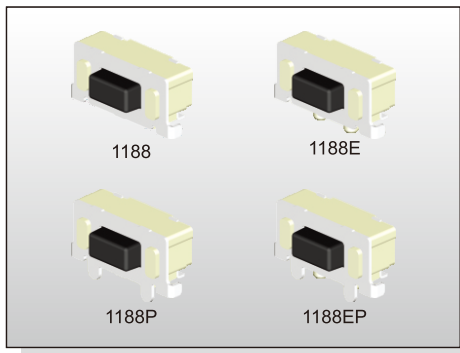
PART NO.	H
T6HA-1	6.04
T6HA-2	6.54
T6HA-3	8.24
T6HA-5	11.34



P.C.B. LAYOUT

TACT SWITCH 1188 SERIES

3.5x7
SMT & Side Push Type



FEATURES

- ※Side actuated
- ※Support / Ground pins options
- ※High solder strength

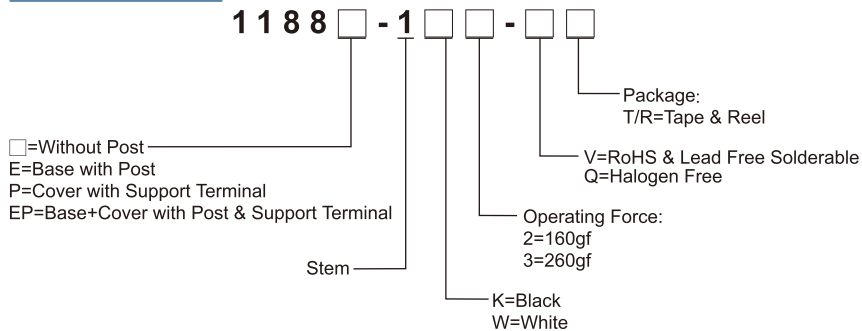
APPLICATION

- ※Audio, OA equipment
- ※Instrumentation
- ※Remote control

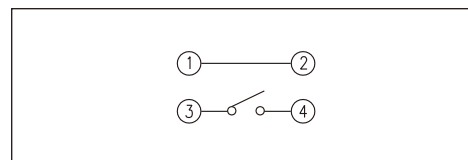
SPECIFICATION

Contact Rating	50mA, 12V DC
Contact Resistance	100mΩ max.
Insulation Resistance	100MΩ min. 500V DC
Dielectric Strength	250V AC/1 minute
Operating Force	160±50gf/260±50gf
Travel	0.25mm
Operating Life	30,000 cycles for 260gf 50,000 cycles for 160gf
Operating Temp.	-25°C ~ +70°C
Storage Temp.	-40°C ~ +80°C

HOW TO ORDER



CIRCUIT

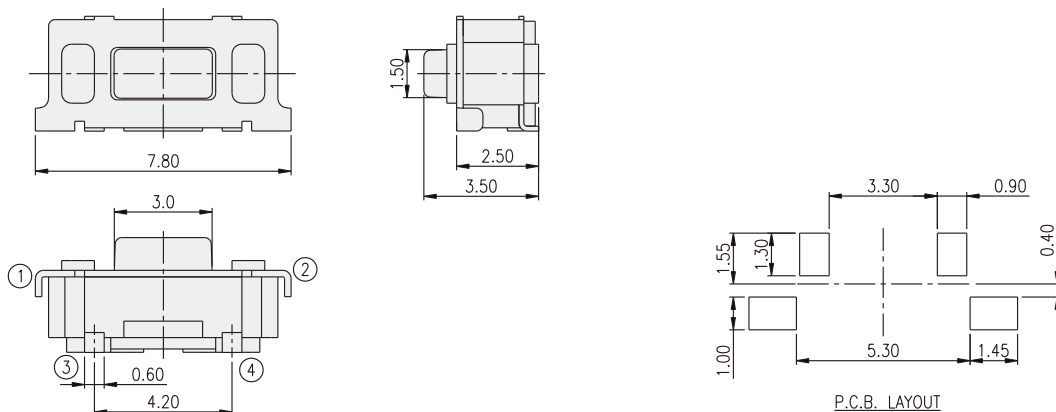


PACKAGE

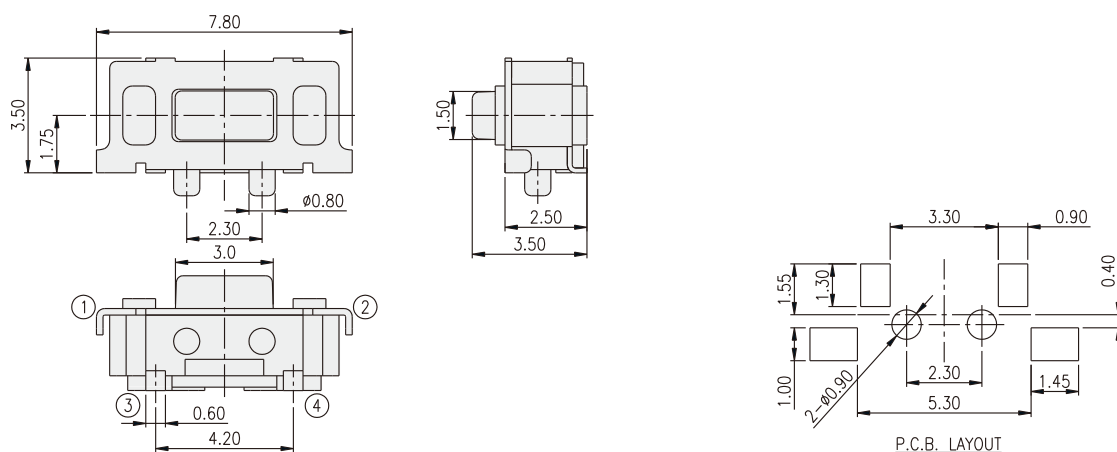
<Tape & Reel>
1500 pcs

TACT SWITCH

1188



1188E

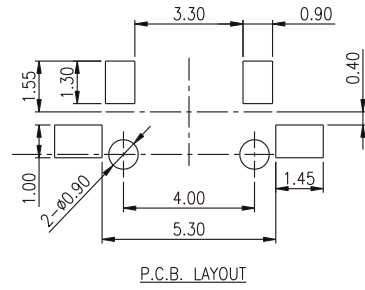
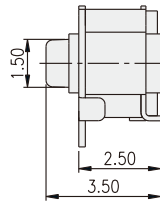
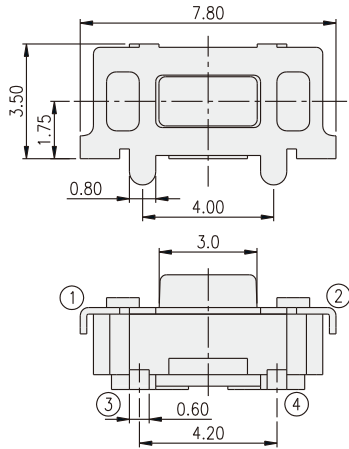


TACT SWITCH
1188 SERIES

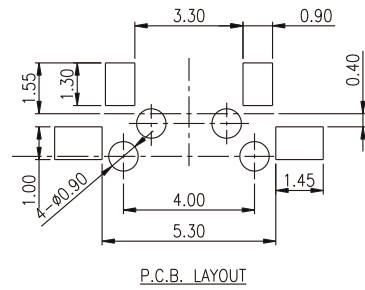
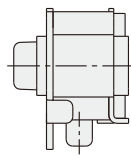
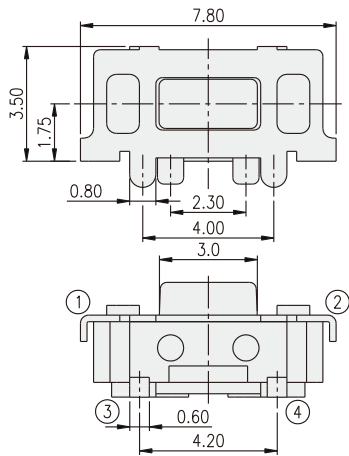
3.5x7
 SMT & Side Push Type



1188P



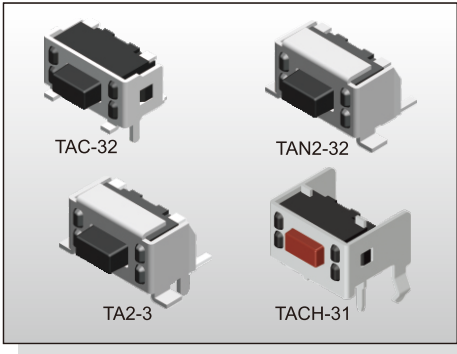
1188EP



TACT SWITCH

TACT SWITCH TA(C)(2)-3 SERIES

3.95x7.3 / 4.65x7.0
SMT & Side Push Type



FEATURES

- ※Side actuated
- ※Support/Ground pin option
- ※High solder strength

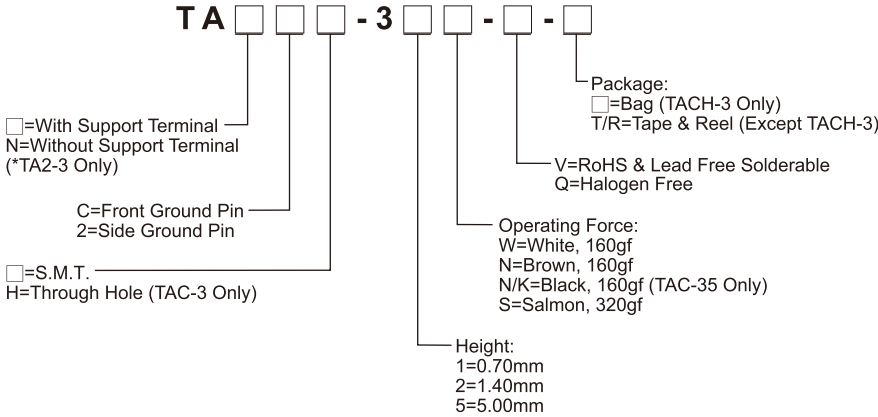
APPLICATION

- ※Data storage, Server
- ※Instrumentation
- ※Audio, OA equipment

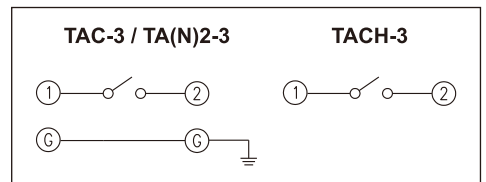
SPECIFICATION

Contact Rating	50mA, 12V DC	
Contact Resistance	100mΩ max.	
Insulation Resistance	100MΩ min. 500V DC	
Dielectric Strength	250V AC/1 minute	
Operating Force	160±50gf, 260±50gf	TAC-3
	160±50gf, White(W)	TA2-3
	160±50gf, Brown(N)	
	320±50gf, Salmon(S)	
Travel	0.25mm	
Operating Life	50,000 cycles	
Operating Temp.	-25°C ~ +70°C	
Storage Temp.	-40°C ~ +80°C	

HOW TO ORDER



CIRCUIT

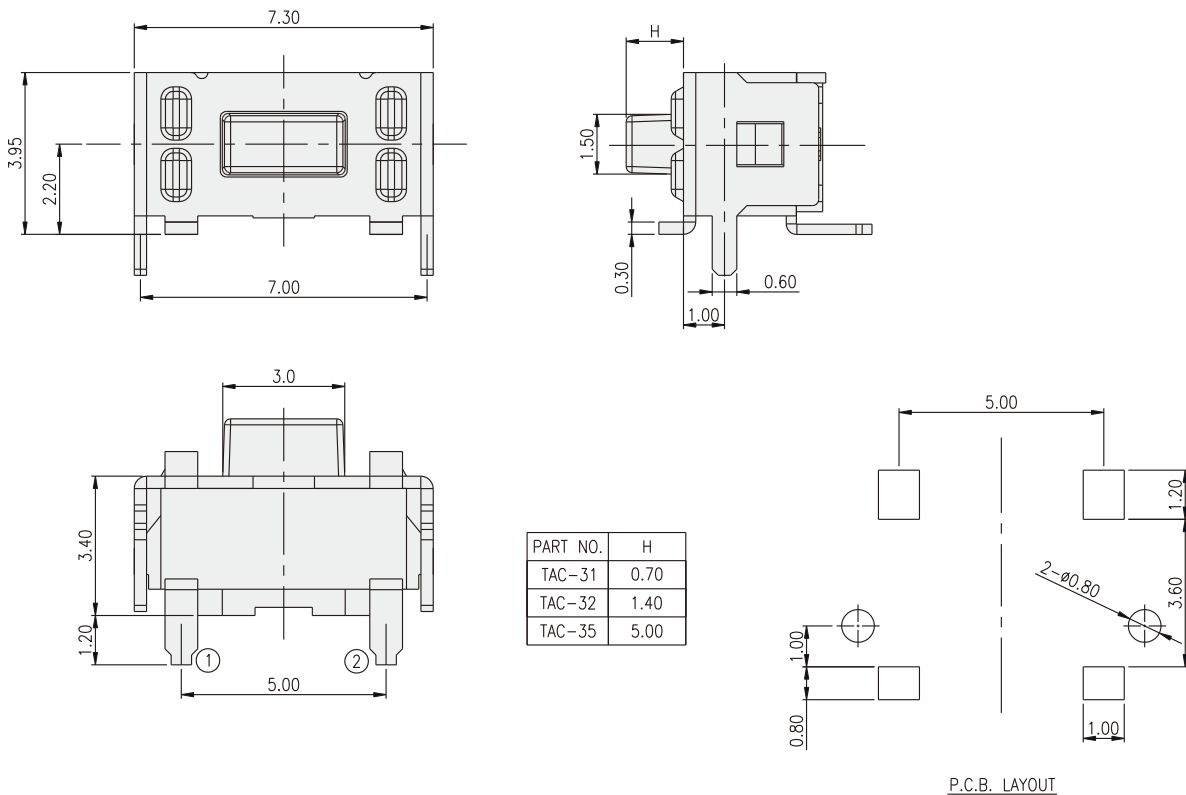


PACKAGE

<Bag>
500 pcs(TACH-3 Only)

<Tape & Reel>
900 pcs

TAC-3

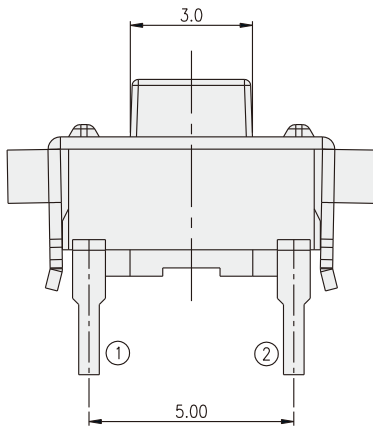
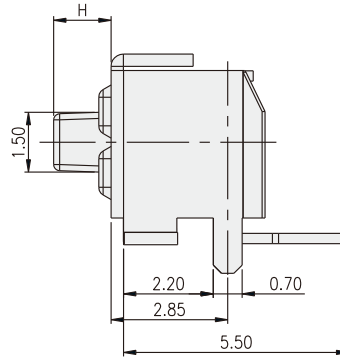
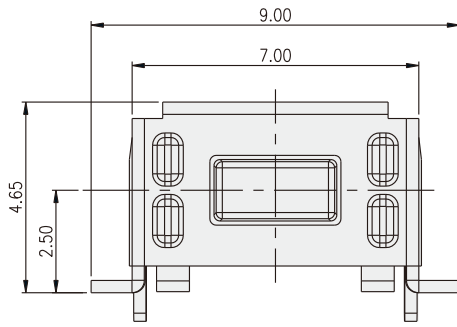


TACT SWITCH
TA(C)2-3 SERIES

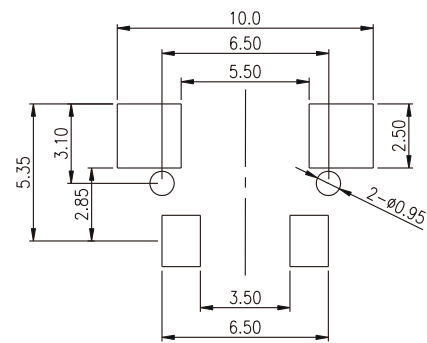
3.95x7.3 / 4.65x7.0
 SMT & Side Push Type



TA2-3



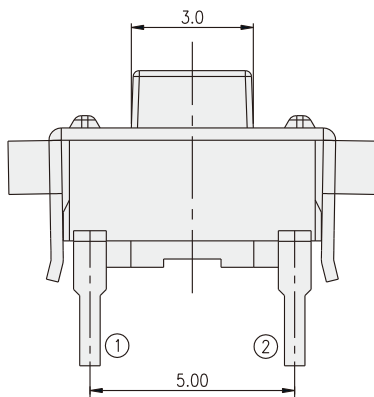
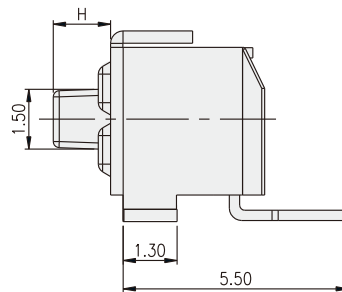
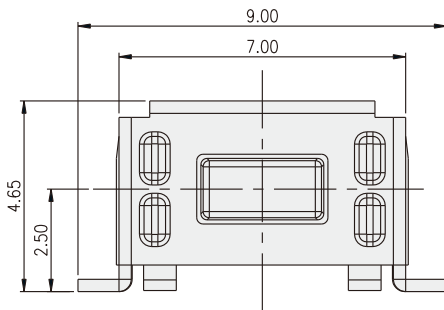
PART NO.	H
TA2-31	0.70
TA2-32	1.40
TA2-35	5.00



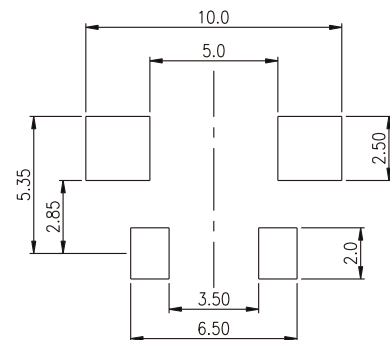
P.C.B. LAYOUT

TACT SWITCH

TAN2-3



PART NO.	H
TAN2-31	0.70
TAN2-32	1.40
TAN2-35	5.00



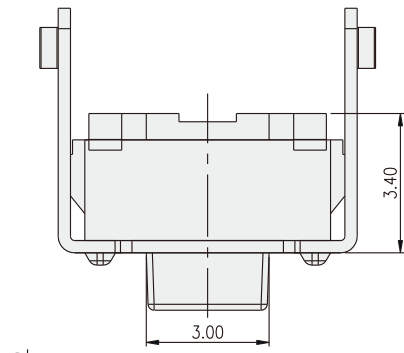
P.C.B. LAYOUT

TACT SWITCH
TA(C)(2)-3 SERIES

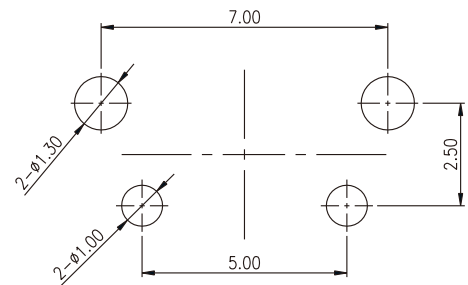
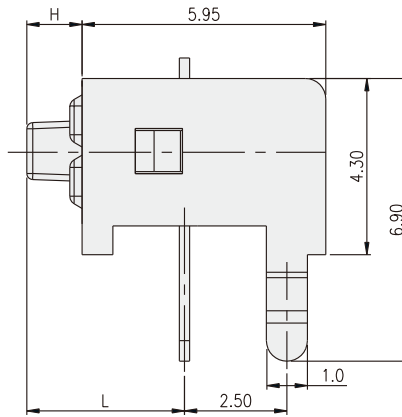
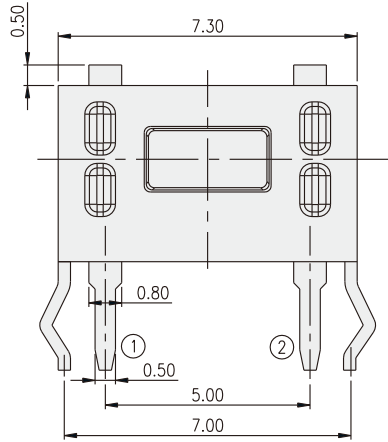
3.95x7.3 / 4.65x7.0
 SMT & Side Push Type



TACH-3

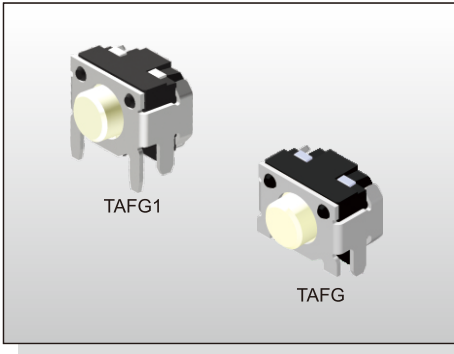


PART NO.	H	L
TACH-31	0.70	3.15
TACH-32	1.40	3.85
TACH-35	5.00	7.45



P.C.B. LAYOUT

TACT SWITCH



FEATURES

- ※Miniature 3.3x4.5mm side push type
- ※High solder strength
- ※Sharp click feeling

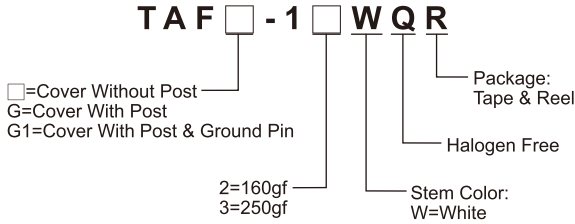
APPLICATION

- ※Smart phone
- ※Tablet
- ※Portable personal audio

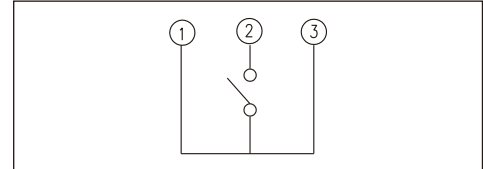
SPECIFICATION

Contact Rating	50mA, 12V DC
Contact Resistance	500mΩ max.
Insulation Resistance	100MΩ min. 100V DC
Dielectric Strength	250V AC/1 minute
Operating Force	160±50gf/250±50gf
Travel	0.2mm
Operating Life	100,000 cycles
Operating Temp.	-40°C ~ +85°C
Storage Temp.	-40°C ~ +85°C

HOW TO ORDER



CIRCUIT

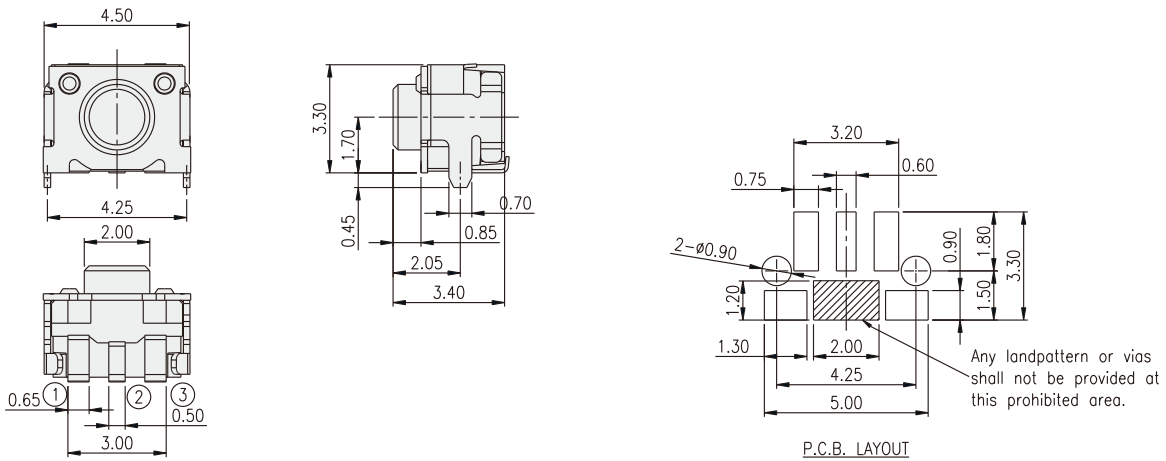


PACKAGE

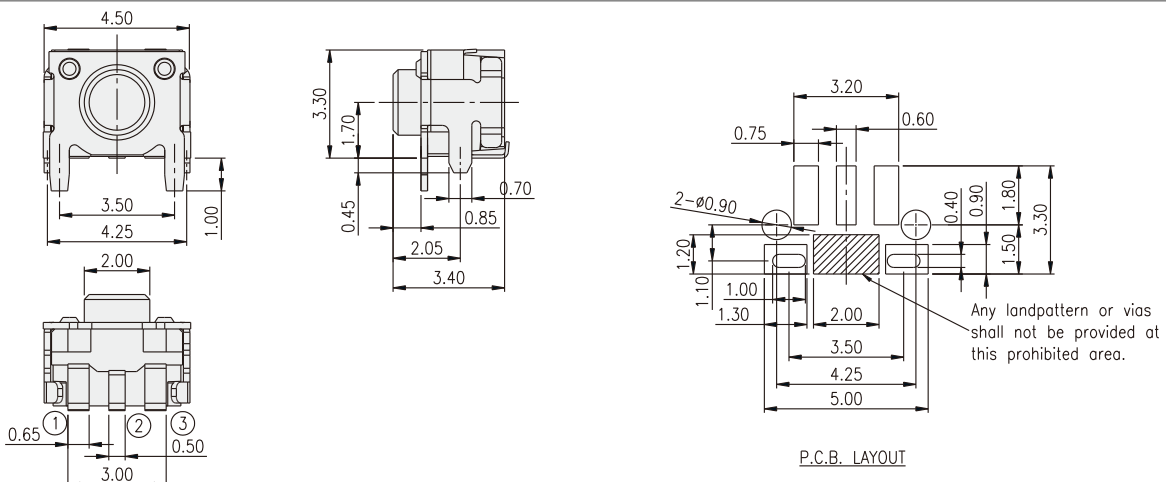
<Tape & Reel>
TAF(G): 2000 pcs
TAFG1: 1800 pcs

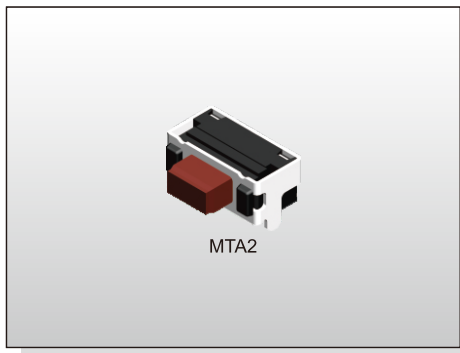
TACT SWITCH

TAFG



TAFG1





FEATURES

- ※ Compact-sized 1.9x4.5mm
- ※ Side actuated
- ※ Sealed with dust proof structure

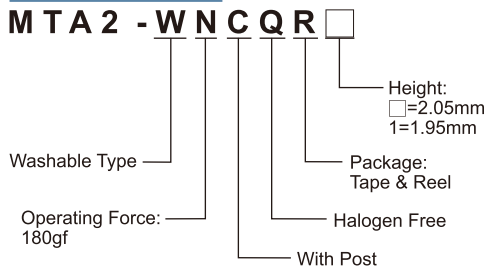
APPLICATION

- ※ Smart phone
- ※ Digital camera, Medical
- ※ Portable electronic device

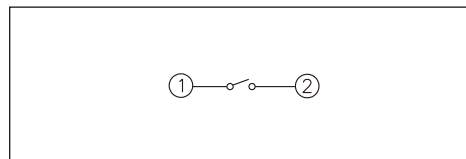
SPECIFICATION

Contact Rating	50mA, 12V DC
Contact Resistance	100mΩ max.
Insulation Resistance	100MΩ min. 100V DC
Dielectric Strength	250V AC/1 minute
Operating Force	180±50gf
Travel	0.20mm
Operating Life	100,000 cycles
Operating Temp.	-30°C ~ +80°C
Storage Temp.	-40°C ~ +90°C

HOW TO ORDER



CIRCUIT

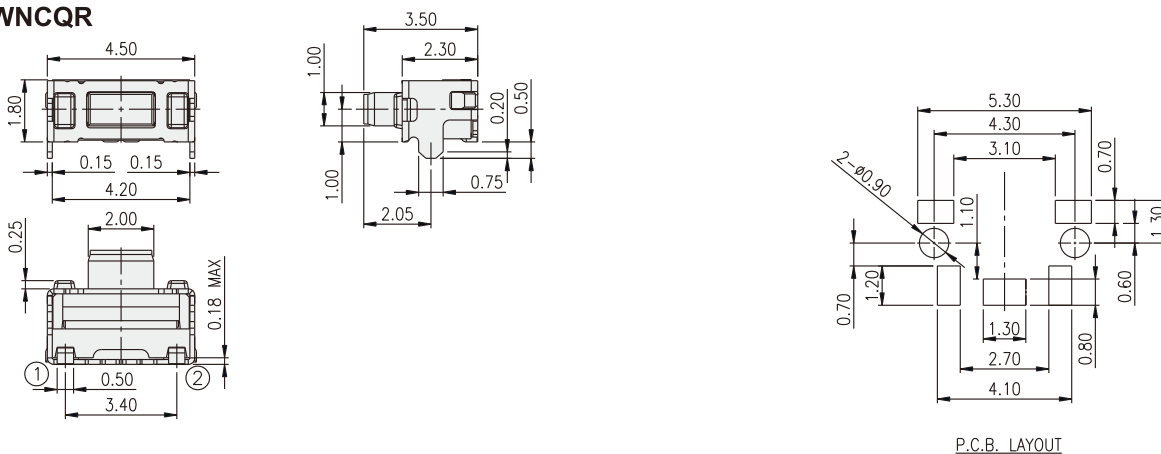


PACKAGE

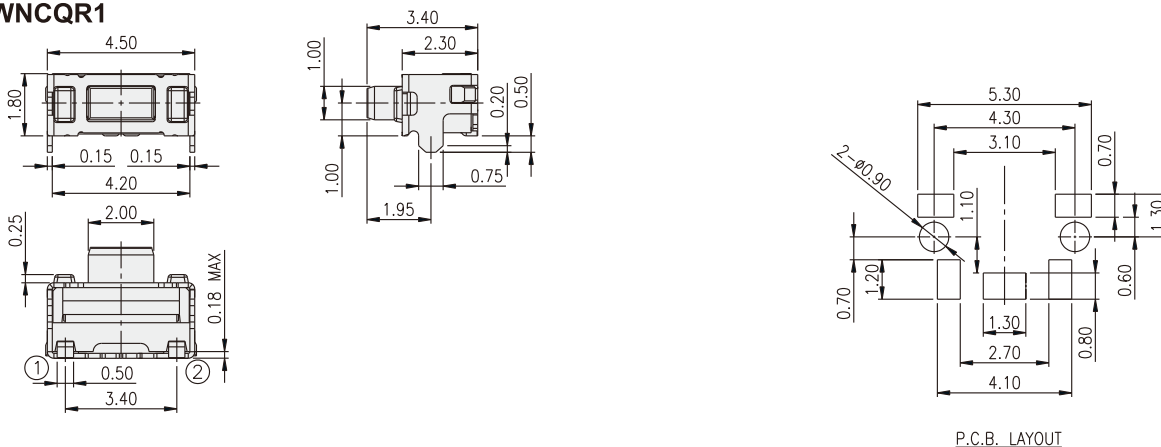
<Tape & Reel>
3000 pcs

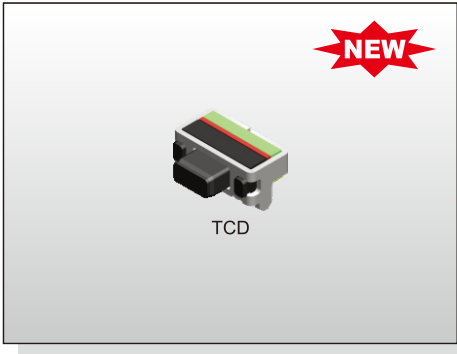
TACT SWITCH

MTA2-WNCQR



MTA2-WNCQR1





TCD

FEATURES

- ※ Compact-sized
- ※ Side actuated
- ※ Sealed with dust proof
- ※ PCB-base structure

APPLICATION

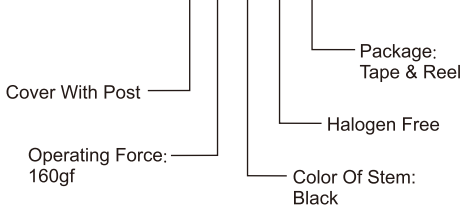
- ※ Smart phone
- ※ Digital Camera, Medical
- ※ Portable electronic device

SPECIFICATION

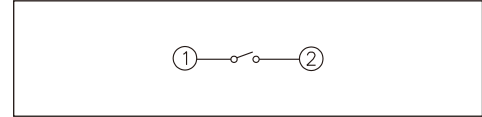
Contact Rating	50mA, 12V DC
Contact Resistance	100mΩ max.
Insulation Resistance	100MΩ min. 100V DC
Dielectric Strength	250V AC/1 minute
Operating Force	160±50gf
Travel	0.2mm
Operating Life	100,000 cycles
Operating Temp.	-40°C ~ +85°C
Storage Temp.	-40°C ~ +85°C

HOW TO ORDER

T C D - C 2 K Q R



CIRCUIT

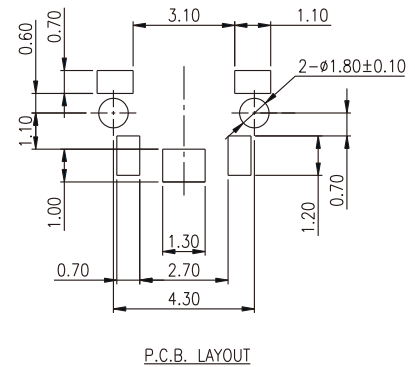
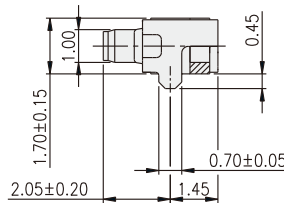
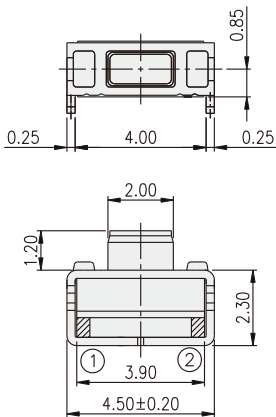


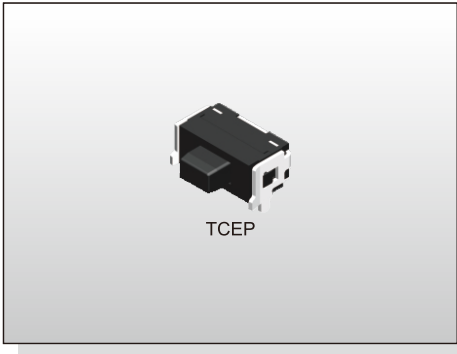
PACKAGE

<Tape & Reel>
3000 pcs

TACT SWITCH

TCD





TCEP

FEATURES

- ※ 1.65mm above PCB
- ※ High solder strength

APPLICATION

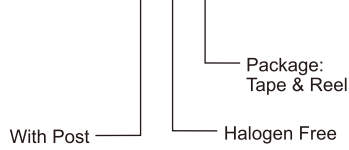
- ※ Personal audio
- ※ Mobile phone
- ※ Audio, OA equipment

SPECIFICATION

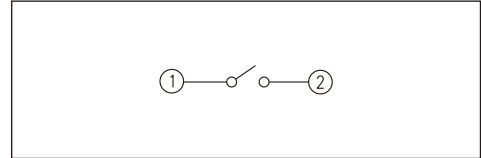
Contact Rating	20mA, 12V DC
Contact Resistance	100mΩ max.
Insulation Resistance	100MΩ min. 100V DC
Dielectric Strength	250V AC/1 minute
Operating Force	160±50gf
Travel	0.2mm
Operating Life	100,000 cycles
Operating Temp.	-40°C ~ +85°C
Storage Temp.	-40°C ~ +90°C

HOW TO ORDER

T C E P Q R



CIRCUIT

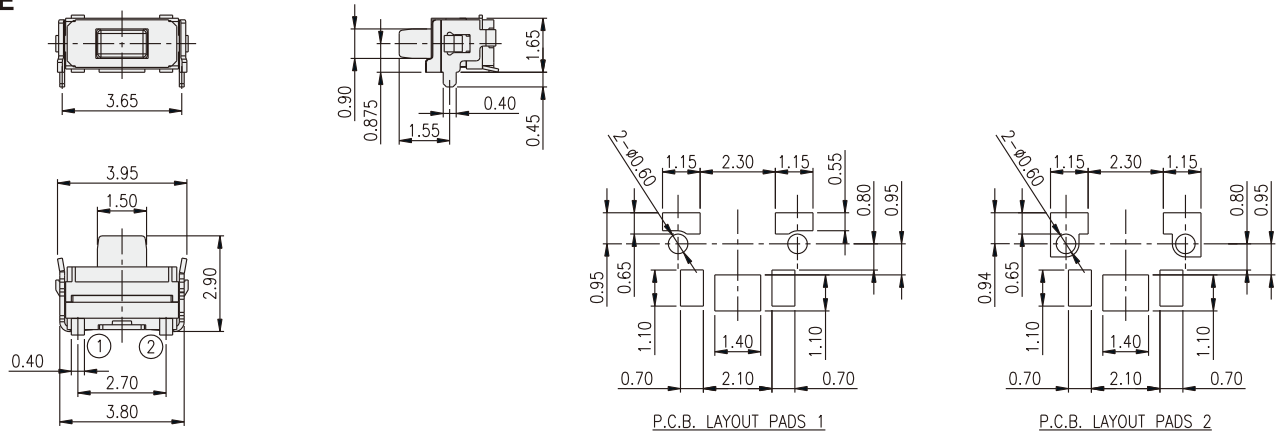


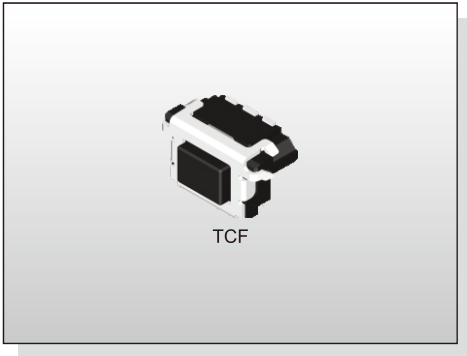
PACKAGE

<Tape & Reel>
3000 pcs

TACT SWITCH

TCE





TCF

FEATURES

- ※Miniature 2.9x4.5mm
- ※Side push mid-mount type
- ※200,000 operating life cycles

APPLICATION

- ※Smart phone
- ※Portable personal audio
- ※Digital camera

SPECIFICATION

Contact Rating	10μA, 2V DC to 20mA, 15V DC
Contact Resistance	1000mΩ max.
Insulation Resistance	100MΩ min. 100V DC
Dielectric Strength	250V AC/1 minute
Operating Force	160±50gf/240±70gf
Travel	0.15mm
Operating Life	200,000 cycles
Operating Temp.	-40°C ~ +85°C
Storage Temp.	-40°C ~ +85°C

HOW TO ORDER

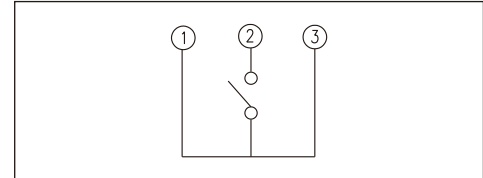
TCF □ QR

Package:
Tape & Reel

Halogen Free

Operating Force:
2=160gf
3=240gf

CIRCUIT

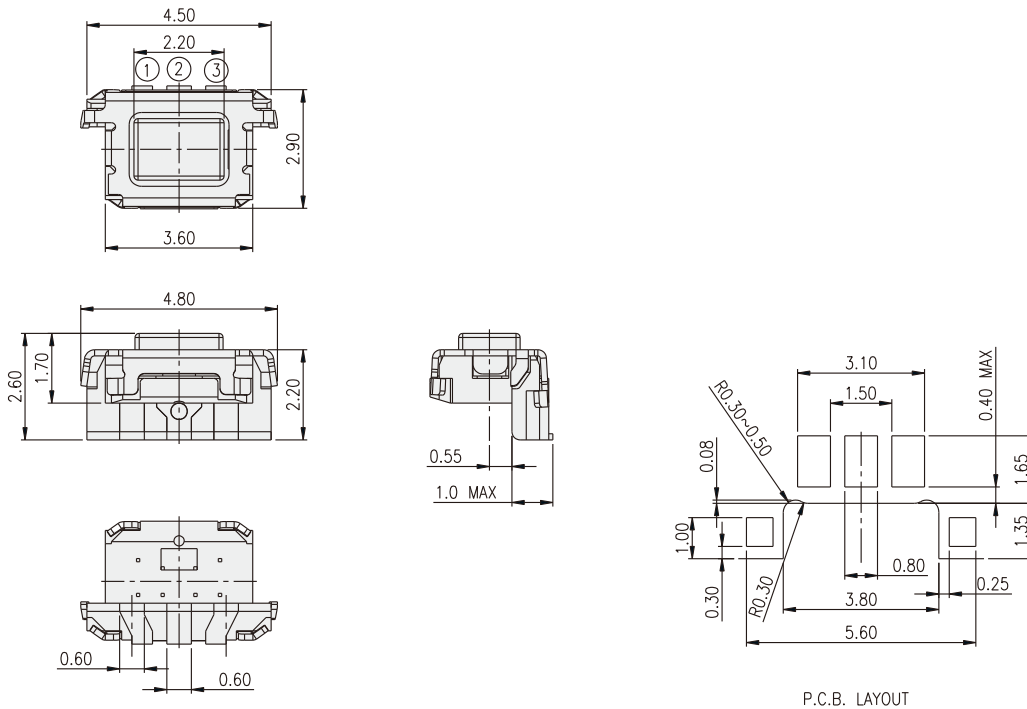


PACKAGE

<Tape & Reel>
2400 pcs

TACT SWITCH

TCF





TCH

FEATURES

- ※Miniature 4.5*2.2mm
- ※Side push mid-mount type
- ※600,000 operation life cycles

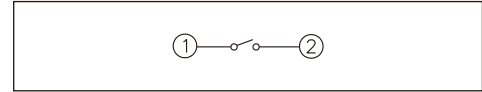
APPLICATION

- ※Smart phone
- ※Portable personal audio
- ※Digital camera
- ※3C products

SPECIFICATION

Contact Rating	50mA, 12V DC
Contact Resistance	500mΩ max.
Insulation Resistance	100MΩ min. 100V DC
Dielectric Strength	100V AC/1 minute
Operating Force	160±50gf
Travel	0.15mm
Operating Life	600,000 cycles
Operating Temp.	-30°C ~ +85°C
Storage Temp.	-40°C ~ +90°C

CIRCUIT

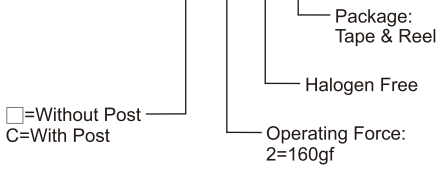


PACKAGE

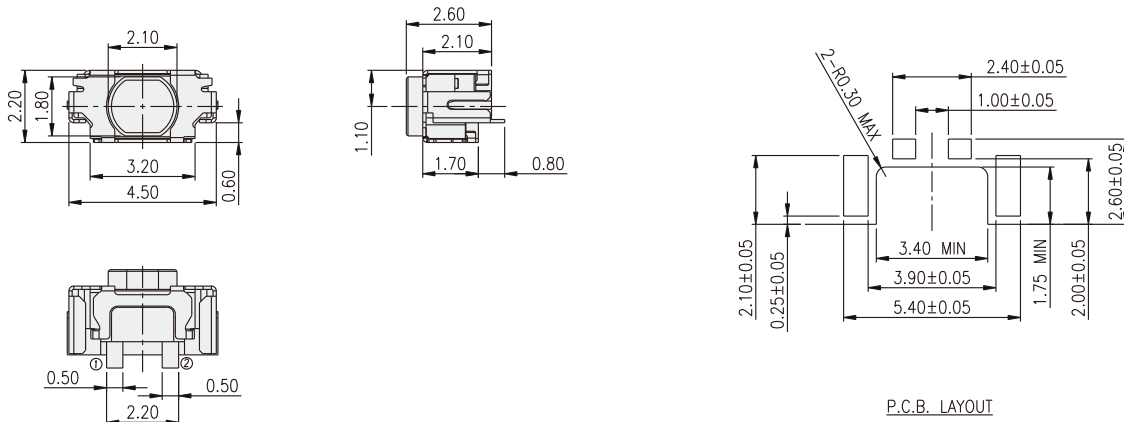
<Tape & Reel>
3000 pcs

HOW TO ORDER

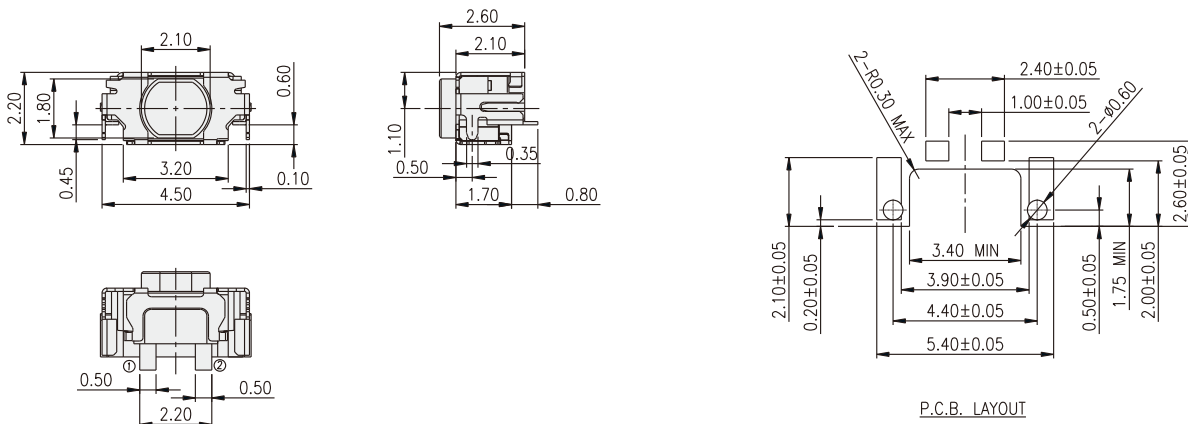
T C H Q R



TCH



TCHC





FEATURES

- ※Soft actuation feeling
- ※Long travel of 1.3mm
- ※Wide stem for easy operation

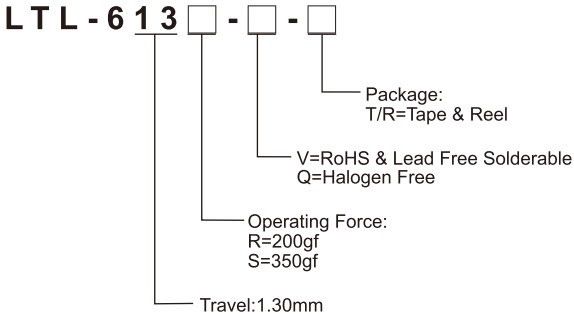
APPLICATION

- ※Automotive
- ※Instrumentation
- ※Audio

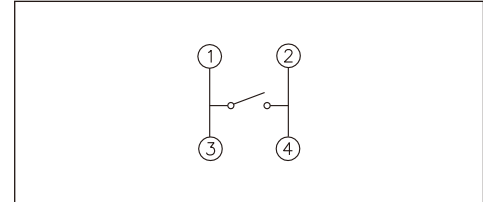
SPECIFICATION

Contact Rating	50mA, 12V DC
Contact Resistance	100mΩ max. 500V DC
Insulation Resistance	100MΩ min. 500V DC
Dielectric Strength	300V AC/1 minute
Operating Force	200±50gf/350±100gf
Travel	1.3mm
Operating Life	30,000 cycles (350gf) 100,000 cycles (200gf)
Operating Temp.	-40°C ~ +85°C
Storage Temp.	-40°C ~ +85°C

HOW TO ORDER



CIRCUIT

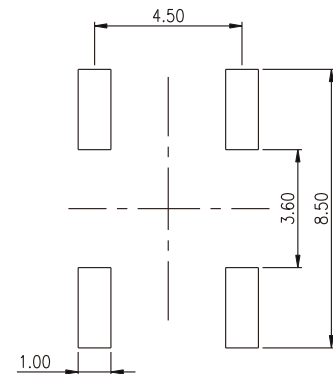
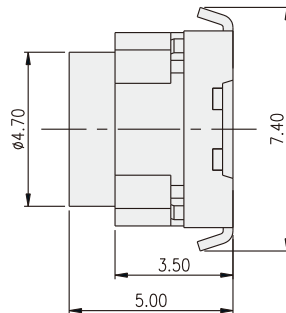
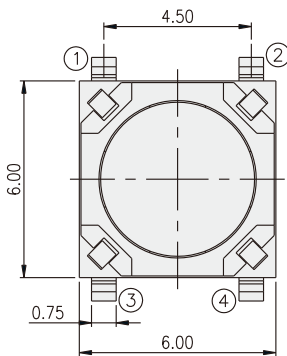


PACKAGE

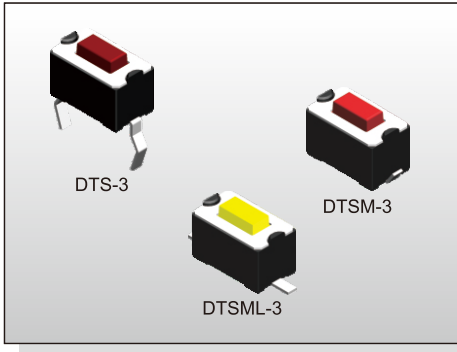
<Tape & Reel>
900 pcs

TACT SWITCH

LTL-6



P.C.B. LAYOUT



FEATURES

- ※ Compact size 3.5x6 mm
- ※ Sharp click feeling
- ※ Choice of SMT terminal type

APPLICATION

- ※ Audio, OA equipment
- ※ Instrumentation
- ※ Industrial

SPECIFICATION

Contact Rating	50mA, 12V DC
Contact Resistance	100mΩ max.
Insulation Resistance	100MΩ min. 500V DC
Dielectric Strength	250V AC/1 minute
Operating Force	125±50gf, Black(K) 160±50gf, Brown(N) 260±50gf, Red(R) 320±80gf, Salmon(S) 520±130gf, Yellow(Y)
Travel	0.25mm
Operating Life	30,000 cycles for 520/320/260gf 50,000 cycles for 160/125gf
Operating Temp.	-25°C ~ +70°C
Storage Temp.	-30°C ~ +80°C

HOW TO ORDER

D T S □ - 3 □ □ - □ □

□: Through Hole
M: J Bend Outward
ML: S.M.T./Flat
MF: S.M.T./Gull-wing

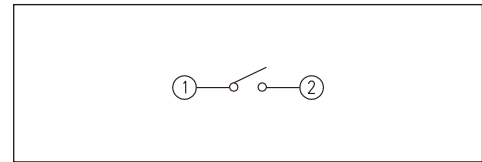
Package:
□=Bag(Through Hole Only)
B=Tube Package(Except DTSMF-3)
T/R=Tape & Reel

V=RoHS & Lead Free Solderable
Q=Halogen Free

Dimension H:
1=4.30mm
2=5.00mm

Operating Force:
K=Black, 125gf
N=Brown, 160gf
R=Red, 260gf
S=Salmon, 320gf
Y=Yellow, 520gf >Not Available For Halogen Free

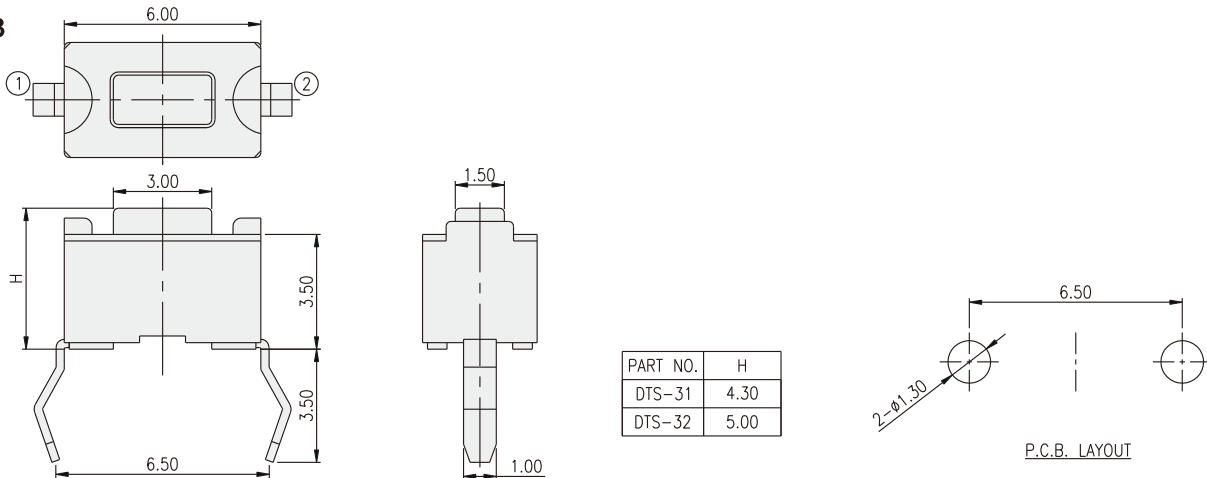
CIRCUIT



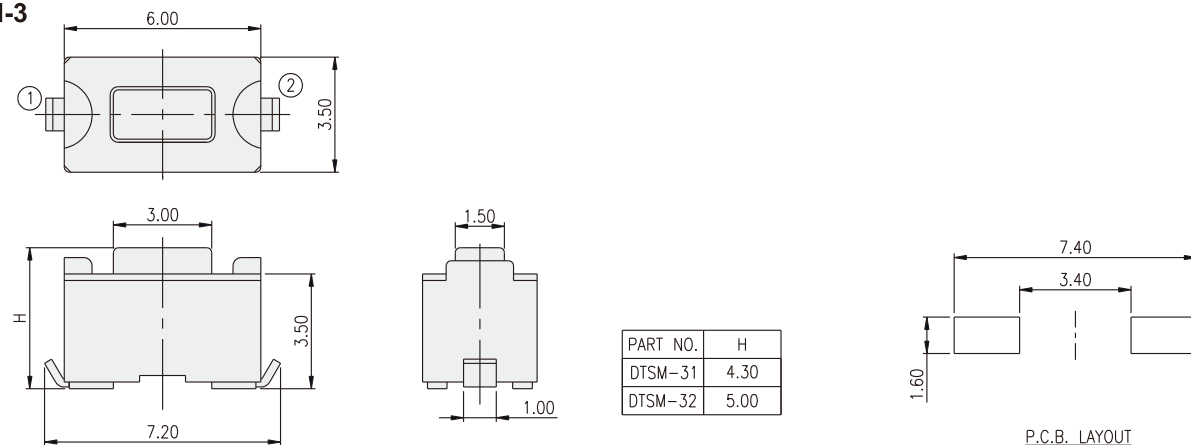
PACKAGE

- <Tube>
DTS(M)(L)-3: 135 pcs
- <Bulk>
1000 pcs
- <Tape & Reel>
DTSM(L)(F)-31: 1800 pcs
DTSM(L)(F)-32: 1600 pcs

DTS-3



DTSM-3

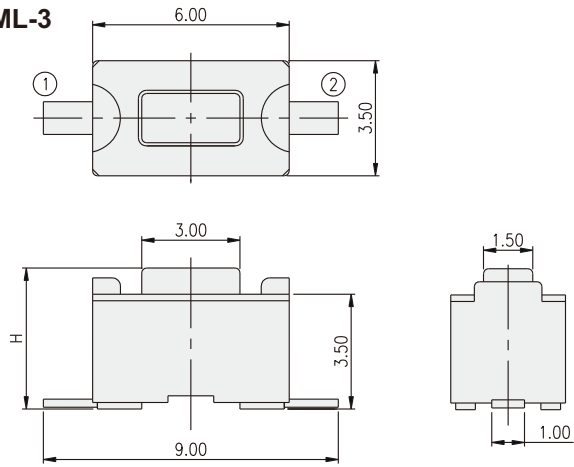


TACT SWITCH
DTS-3 SERIES

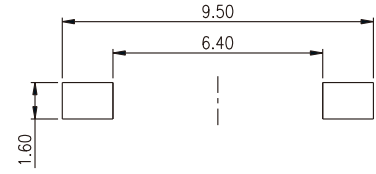
3.5x6 Through Hole & SMT Type
 Tactile Switch



DTSMML-3

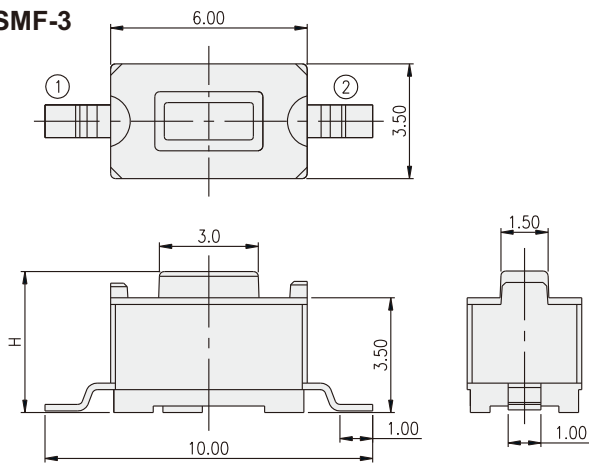


PART NO.	H
DTSMML-31	4.30
DTSMML-32	5.00

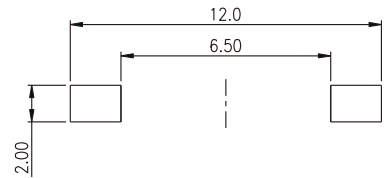


P.C.B. LAYOUT

DTSMF-3

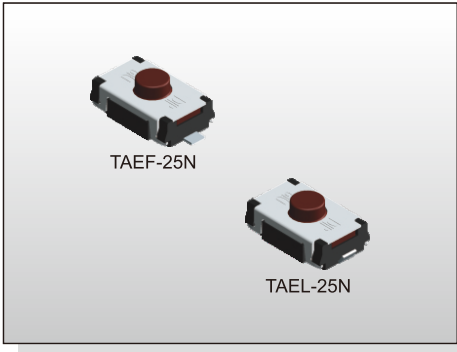


PART NO.	H
DTSMF-31	4.30
DTSMF-32	5.00



P.C.B. LAYOUT

TACT SWITCH



FEATURES

- ※3.8x6mm of thinner type 2.5mm height
- ※Soft actuator with long travel
- ※Choice of actuation force

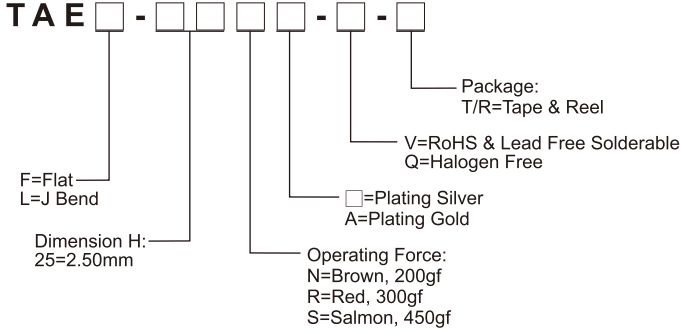
APPLICATION

- ※Car remote control
- ※Audio, OA equipment
- ※Instrumentation

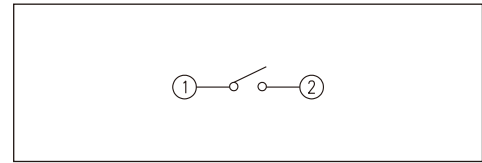
SPECIFICATION

Contact Rating	50mA, 12V DC
Contact Resistance	100mΩ max.
Insulation Resistance	100MΩ min. 100V DC
Dielectric Strength	300V AC/1 minute
Operating Force	200gf, Brown(N) 300gf, Red(R) 450gf, Salmon(S)
Travel	0.30mm, Brown(N) 0.35mm, Red(R) 0.45mm, Salmon(S)
Operating Life	100,000 cycles (S) 200,000 cycles (N/R)
Operating Temp.	-40°C ~ +85°C
Storage Temp.	-40°C ~ +85°C

HOW TO ORDER



CIRCUIT

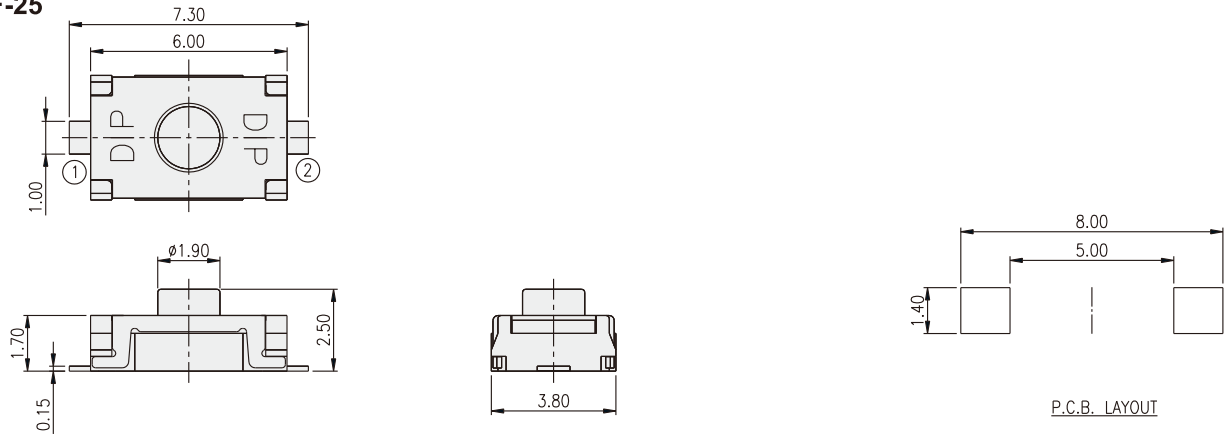


PACKAGE

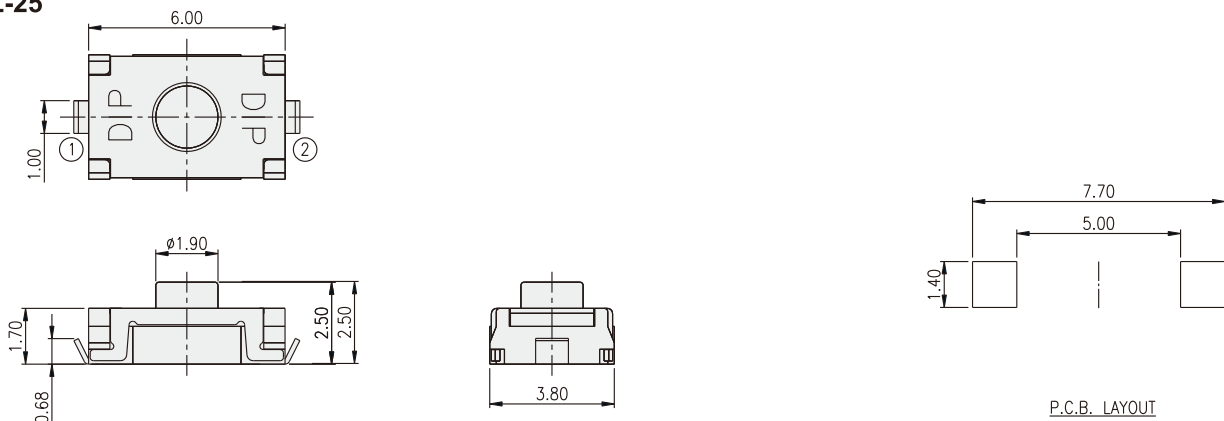
<Tape & Reel>
2700 pcs

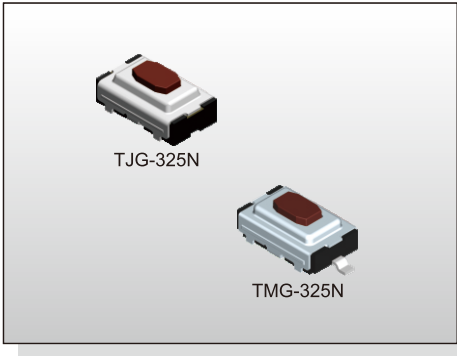
TACT SWITCH

TAEF-25



TAE L-25





FEATURES

- ※ Thinner type 2.5mm height
- ※ High density mounting
- ※ With anti-ESD of ground terminal

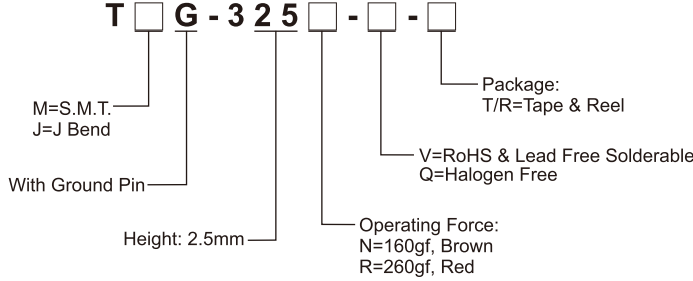
APPLICATION

- ※ Consumer products
- ※ Instrumentation
- ※ Industrial

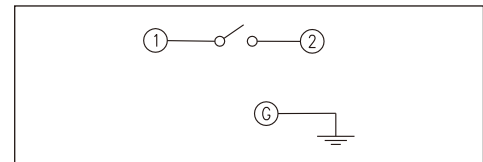
SPECIFICATION

Contact Rating	50mA, 12V DC
Contact Resistance	100mΩ max.
Insulation Resistance	100MΩ min. 500V DC
Dielectric Strength	300V AC/1 minute
Operating Force	160±50gf, Brown(N) 260±50gf, Red(R)
Travel	0.25mm
Operating Life	20,000 cycles for 260gf 50,000 cycles for 160gf
Operating Temp.	-25°C ~ +70°C
Storage Temp.	-30°C ~ +80°C

HOW TO ORDER



CIRCUIT

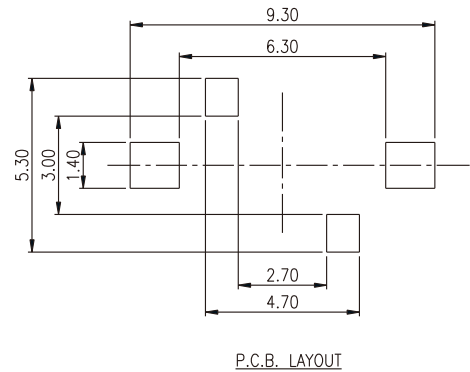
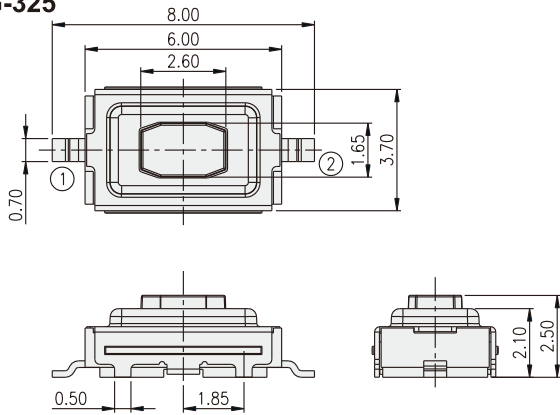


PACKAGE

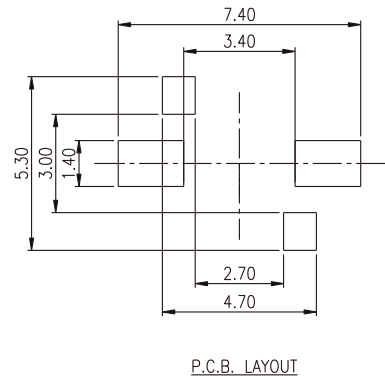
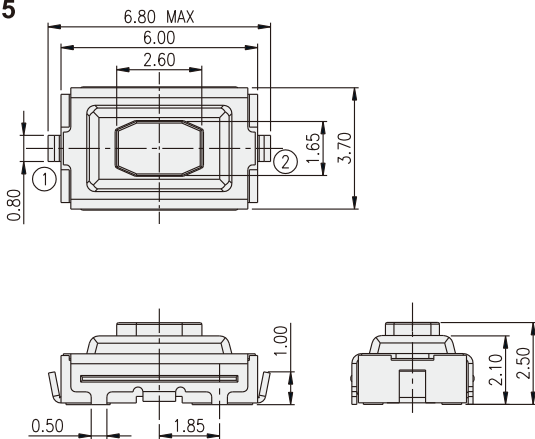
<Tape & Reel>
 2800 pcs

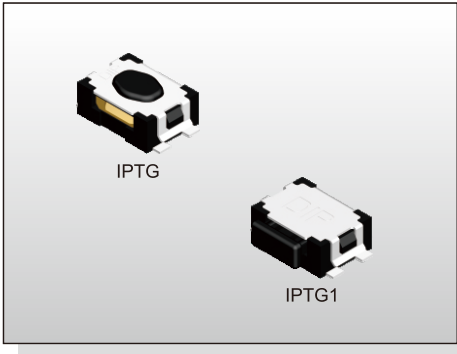
TACT SWITCH

TMG-325



TJG-325





FEATURES

- ※ Compact-sized 2.8x3.8mm
- ※ Vertical or side actuation
- ※ Wide stem

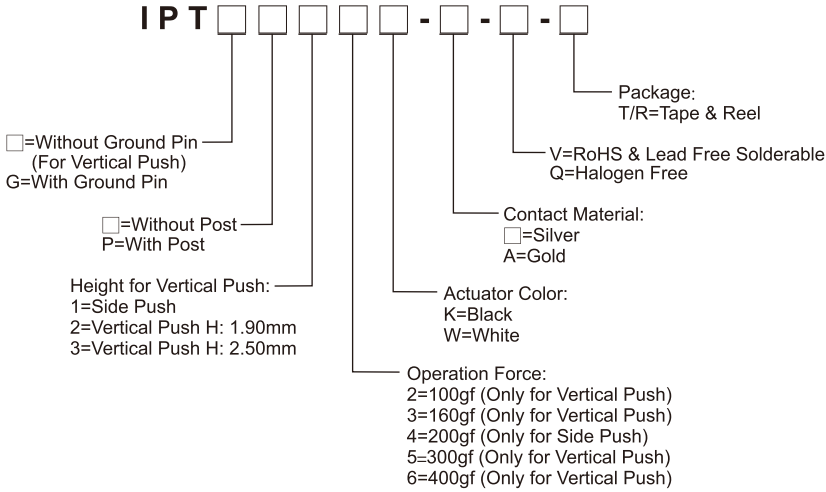
APPLICATION

- ※ Automotive
- ※ Portable electronic device
- ※ Control panel

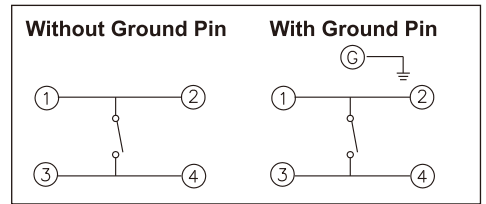
SPECIFICATION

Contact Rating	50mA, 12V DC
Contact Resistance	100mΩ max.
Insulation Resistance	100MΩ min. 500V DC
Dielectric Strength	100V AC/1 minute
Operating Force	100±50gf, 160±50gf (Vertical Push) 200±65gf (Side Push) 300±80gf, 400±80gf (Vertical Push)
Travel	0.13mm (Vertical Push) 0.20mm (Side Push)
Operating Life	50,000 cycles for 300/400gf 100,000 cycles for 100/160/200gf
Operating Temp.	-20°C ~ +70°C
Storage Temp.	-30°C ~ +80°C

HOW TO ORDER



CIRCUIT

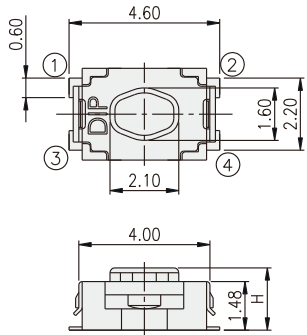


PACKAGE

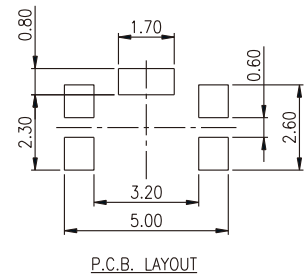
<Tape & Reel>
IPTGP1: 3000 pcs
IPTG1: 3500 pcs
IPTG2: 7000 pcs
IPTG3: 6300 pcs

TACT SWITCH

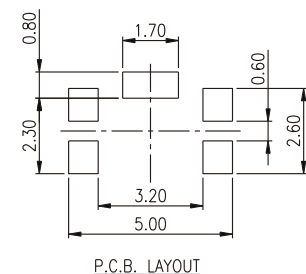
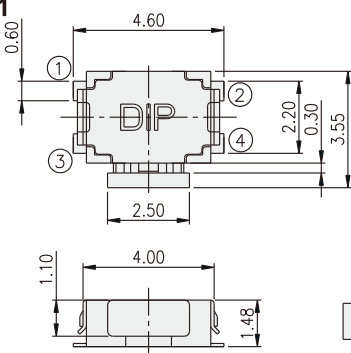
IPTG

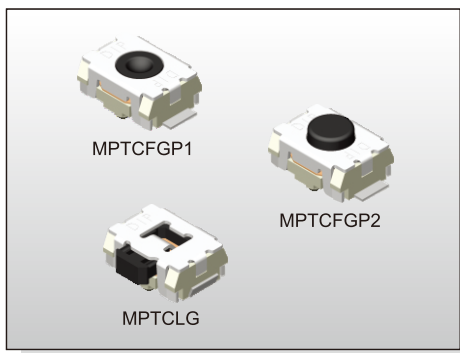


PART NO.	H
IPTG2	1.90
IPTG3	2.50



IPTG1





FEATURES

- ※ Compact-sized 2.9x3.9mm
- ※ Vertical or side actuation
- ※ Reflow solderable

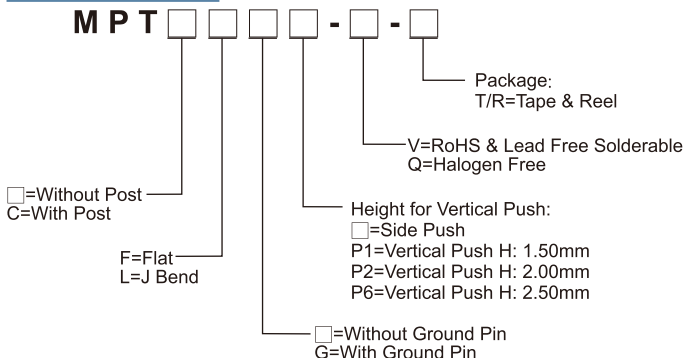
APPLICATION

- ※ Automotive
- ※ Portable electronic device
- ※ Control panel

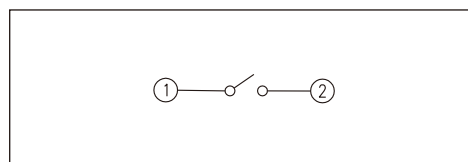
SPECIFICATION

Contact Rating	50mA, 12V DC
Contact Resistance	100mΩ max.
Insulation Resistance	100MΩ min. 100V DC
Dielectric Strength	100V AC/1 minute
Operating Force	160±50gf (Vertical Push) 220±65gf (Side Push)
Travel	0.13mm (Vertical Push) 0.20mm (Side Push)
Operating Life	100,000 cycles
Operating Temp.	-20°C ~ +70°C
Storage Temp.	-30°C ~ +80°C

HOW TO ORDER



CIRCUIT

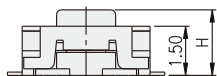
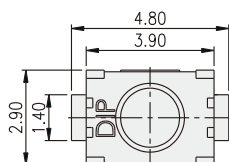


PACKAGE

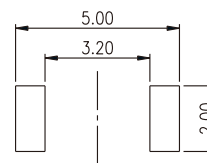
<Tape & Reel>
Side push: 3500 pcs
Vertical push: 2000 pcs

TACT SWITCH

MPTFP □

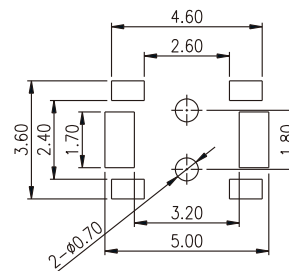
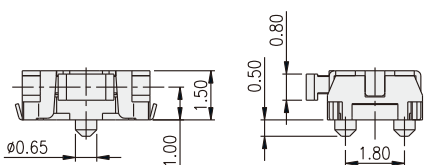
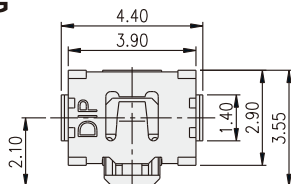


PART NO.	H
MPTFP1	1.50
MPTFP2	2.00
MPTFP6	2.50

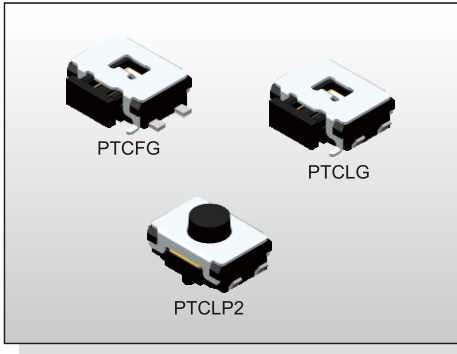


P.C.B. LAYOUT

MPTCLG



P.C.B. LAYOUT



FEATURES

- ※For high density mounting
- ※Vertical or side actuation
- ※Reflow solderable

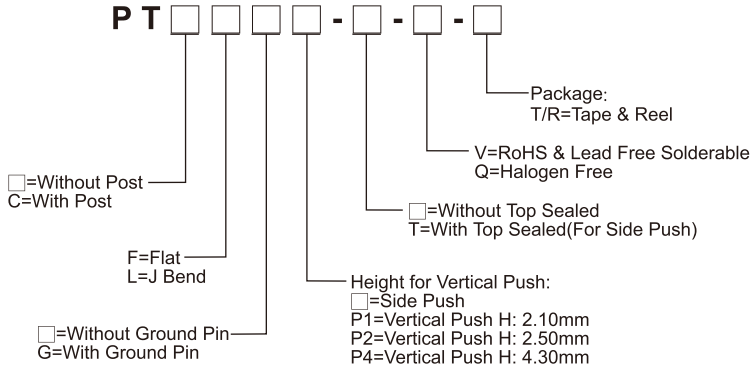
APPLICATION

- ※Automotive
- ※Portable electronic device
- ※Control panel

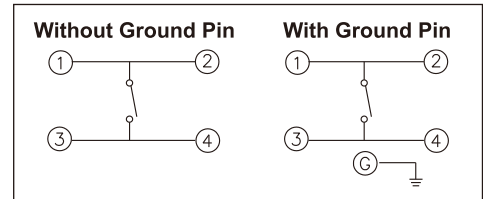
SPECIFICATION

Contact Rating	50mA, 12V DC
Contact Resistance	100mΩ max.
Insulation Resistance	100MΩ min. 500V DC
Dielectric Strength	250V AC/1 minute
Operating Force	160±50gf (Vertical Push) 220+80/-70gf (Side Push)
Travel	0.20mm (Vertical Push) 0.30mm (Side Push)
Operating Life	100,000 cycles
Operating Temp.	-25°C ~ +70°C
Storage Temp.	-30°C ~ +80°C

HOW TO ORDER



CIRCUIT

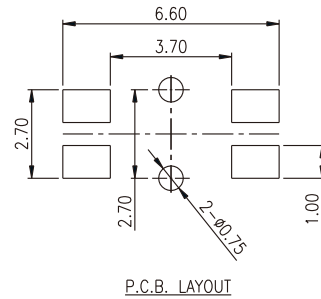
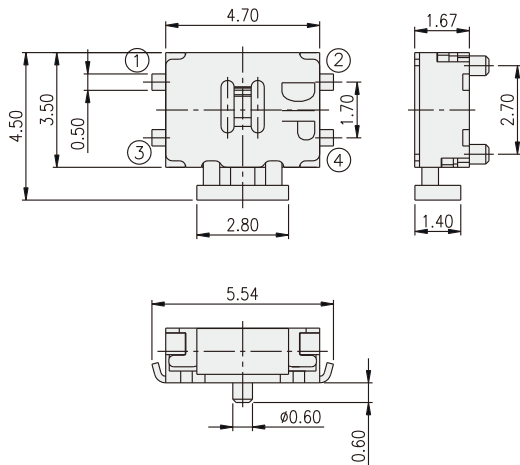


PACKAGE

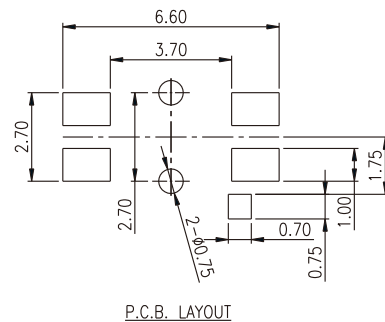
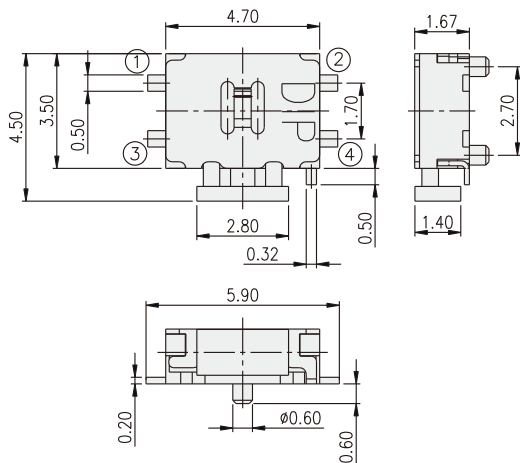
<Tape & Reel>
 Side push: 3000 pcs
 Vertical push: 2400 pcs

TACT SWITCH

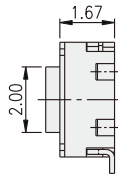
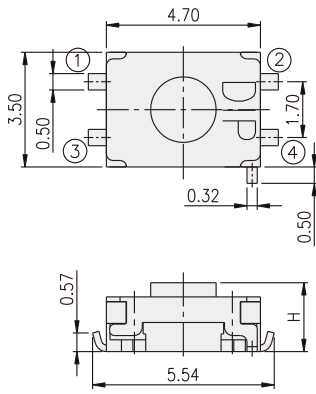
PTCL



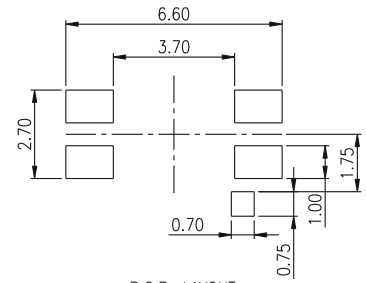
PTCFG



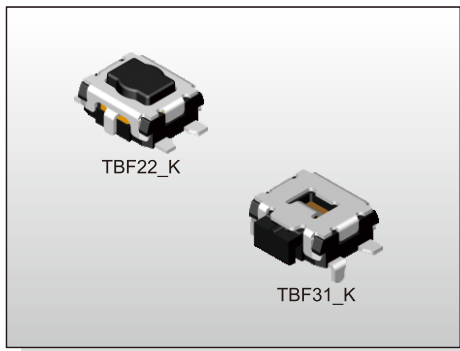
PTLGP□



PART NO.	H
PTLGP1	2.10
PTLGP2	2.50
PTLGP4	4.30



P.C.B. LAYOUT



FEATURES

- ※Miniature 2.9x3.5mm
- ※Vertical or side actuation
- ※Long operating life

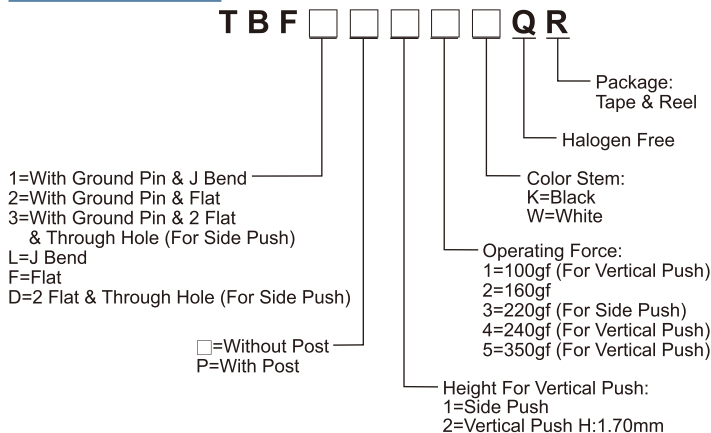
APPLICATION

- ※Mobile phone
- ※Consumer electronics
- ※Automotive

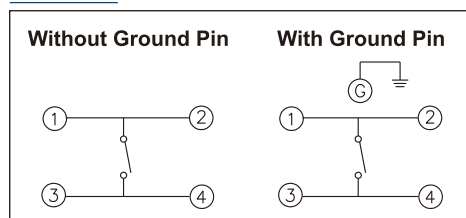
SPECIFICATION

Contact Rating	10μA, 2V DC to 20mA, 15V DC
Contact Resistance	100mΩ max.
Insulation Resistance	100MΩ min. 100V DC
Dielectric Strength	250V AC/1 minute
Operating Force	100±50/160±50/240±80/350±100gf (Vertical Push) 160+70/-40, 220+80/-70gf (Side Push)
Travel	0.15mm (Vertical Push) 0.20mm (Side Push)
Operating Life	100,000 cycles for Side Push 200,000 cycles for 160/240/350gf 1,000,000 cycles for 100gf (Vertical Push)
Operating Temp.	-40°C ~ +85°C
Storage Temp.	-40°C ~ +85°C

HOW TO ORDER



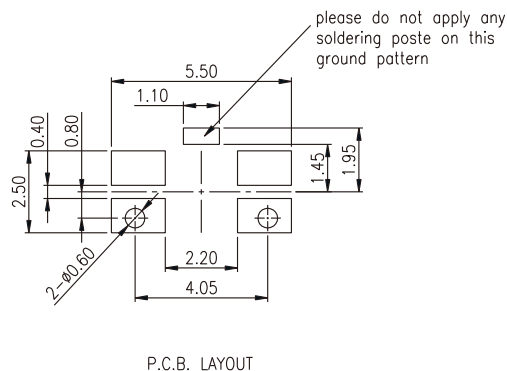
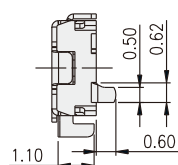
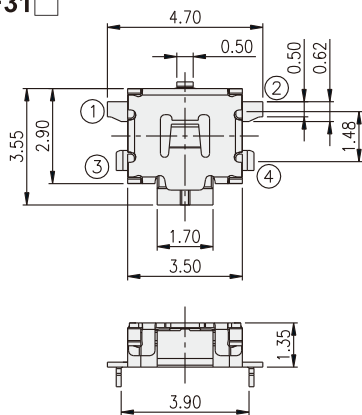
CIRCUIT



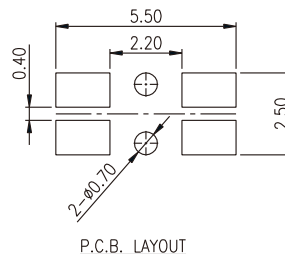
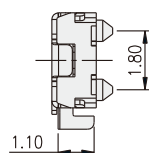
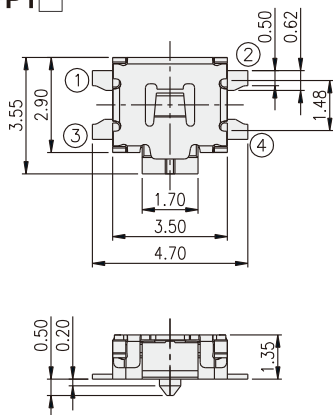
PACKAGE

<Tape & Reel>
3000 pcs

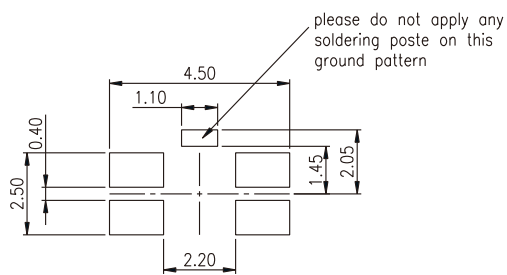
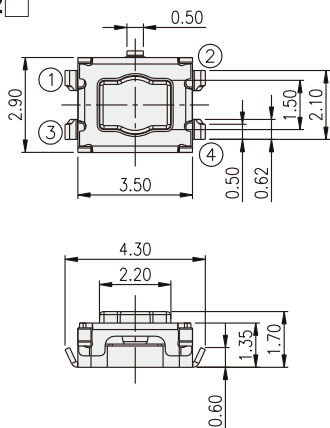
TBF31 []



TBFFP1 []

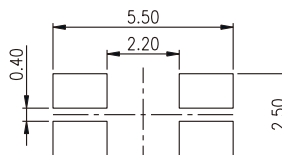
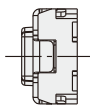
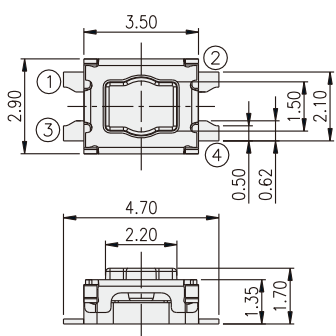


TBF12 □

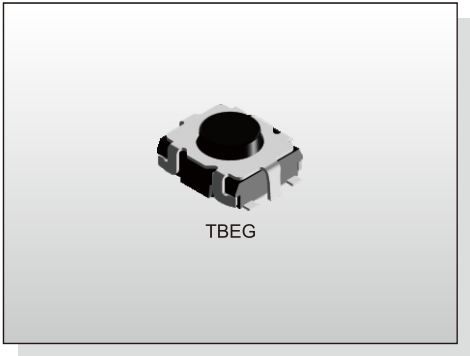


P.C.B. LAYOUT

TBFF2 □



P.C.B. LAYOUT



FEATURES

- ※Electrical life: 200,000 cycles
- ※Sharp click feeling
- ※2.7x3.0mm miniature tact switch

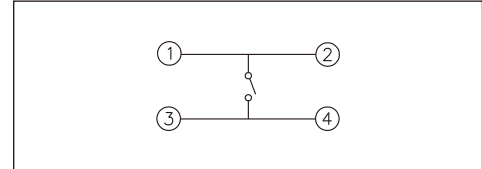
APPLICATION

- ※Automotive
- ※Video game device

SPECIFICATION

Contact Rating	50mA, 12V DC
Contact Resistance	100mΩ max.
Insulation Resistance	100MΩ min. 500V DC
Dielectric Strength	250V AC/1 minute
Operating Force	160±50gf/200±50gf/400±80gf
Travel	0.12mm
Operating Life	200,000 cycles
Operating Temp.	-40°C ~ +85°C
Storage Temp.	-40°C ~ +90°C

CIRCUIT



PACKAGE

<Tape & Reel>
8000 pcs

HOW TO ORDER

T B E □ - □ - Q - □

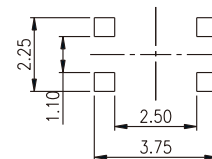
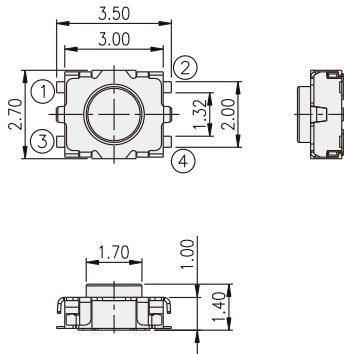
G=With Ground Pin
□=Without Ground Pin

Package:
T/R=Tape & Reel

Halogen Free

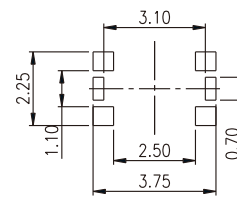
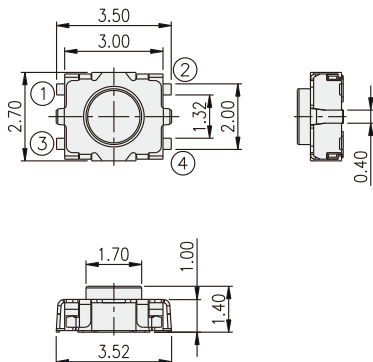
Operating Force:
N=Brown, 160gf
W=White, 200gf
□=Black, 400gf

TBE



P.C.B. LAYOUT

TBEG



P.C.B. LAYOUT