

FEATURES

- ※2.0mm stroke
- ※Through hole or SMT
- ※1P2T, 2P2T models

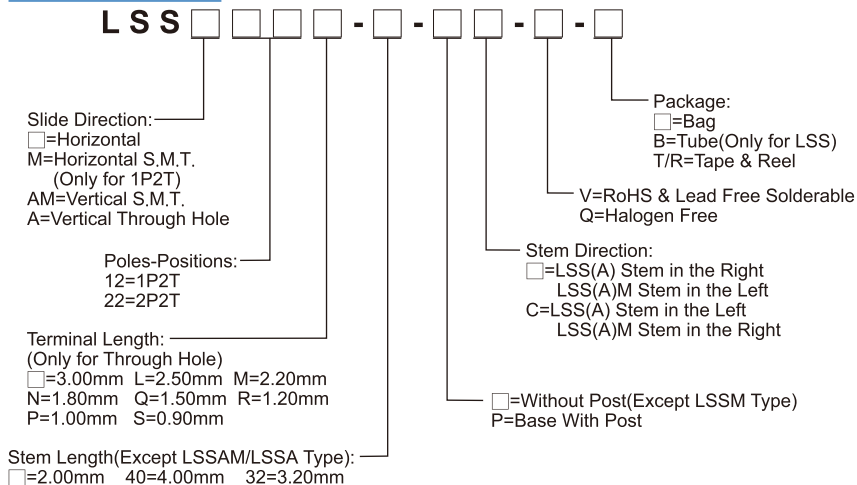
APPLICATION

- ※Remote control
- ※Consumer electronics
- ※Instrumentations

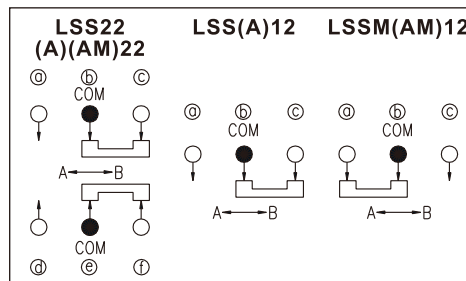
SPECIFICATION

Contact Rating	0.1A, 12V DC
Contact Resistance	60mΩ max.
Insulation Resistance	100MΩ min. 500V DC
Dielectric Strength	500V AC/1 minute
Operating Force	200±150gf
Travel	2mm
Operating Life	10,000 cycles
Operating Temp.	-10°C ~ +60°C
Storage Temp.	-20°C ~ +70°C

HOW TO ORDER



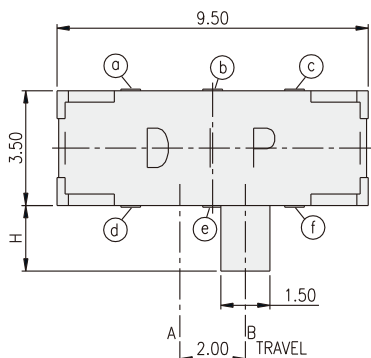
CIRCUIT



PACKAGE

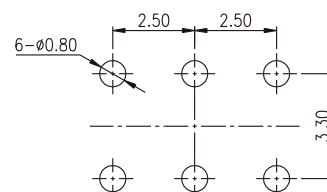
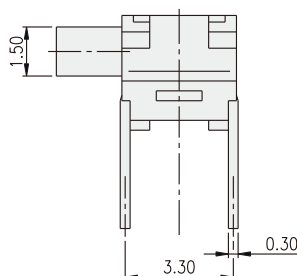
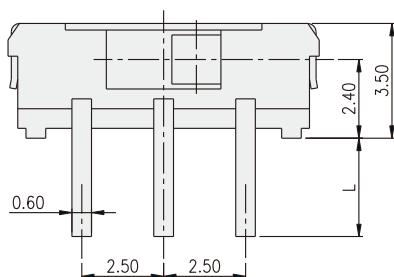
- <Bag>
LSS(A)12, 22: 1000 pcs
- <Tube>
LSS[]2, LSS[]2M, LSS[]2L: 50 pcs
- <Tape & Reel>
LSS12, 22-N,P,S,Q,R: 900 pcs
LSS12, 22-[],M,L: 800 pcs
LSS12, 12-40-P, 22[]-40: 800 pcs
LSSM12-P, LSSM12-40-P: 800 pcs
LSSM12: 1000 pcs
LSSA(M)12, 22: 600 pcs
LSSA12, 22M,L-P: 600 pcs
LSSA12, 22R-P: 500 pcs

LSS22



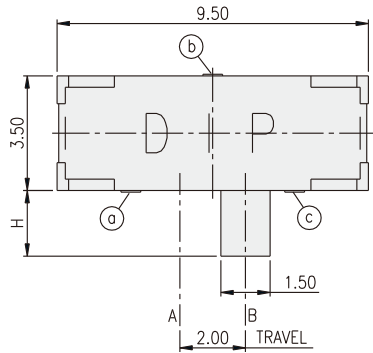
PART NO.	H
LSS22	2.0
LSS22-32	3.20
LSS22-40	4.0

PART NO.	L
LSS22	3.0
LSS22S	0.90
LSS22P	1.0
LSS22R	1.20
LSS22Q	1.50
LSS22N	1.80
LSS22M	2.20
LSS22L	2.50



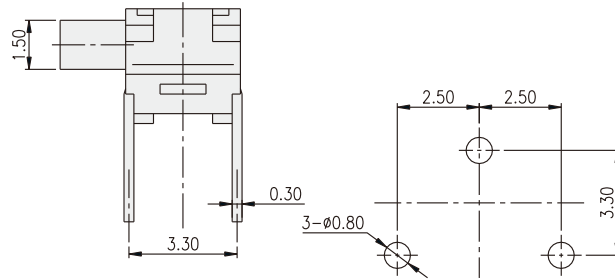
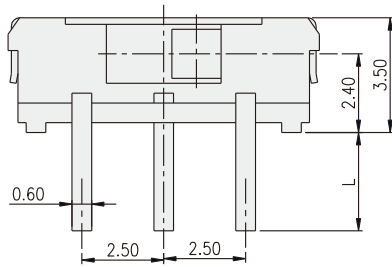
P.C.B. LAYOUT

LSS12



PART NO.	H
LSS12	2.00
LSS12-32	3.20
LSS12-40	4.00

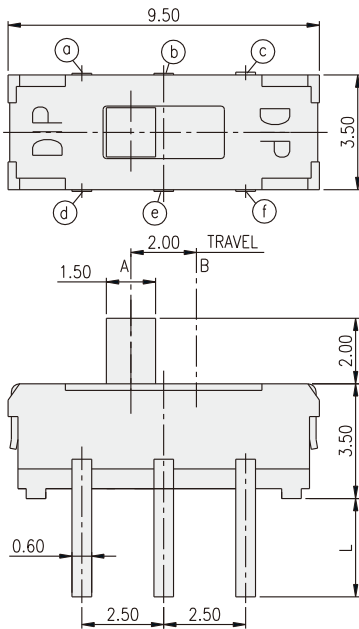
PART NO.	L
LSS12	3.0
LSS12S	0.90
LSS12P	1.0
LSS12R	1.20
LSS12Q	1.50
LSS12N	1.80
LSS12M	2.20
LSS12L	2.50



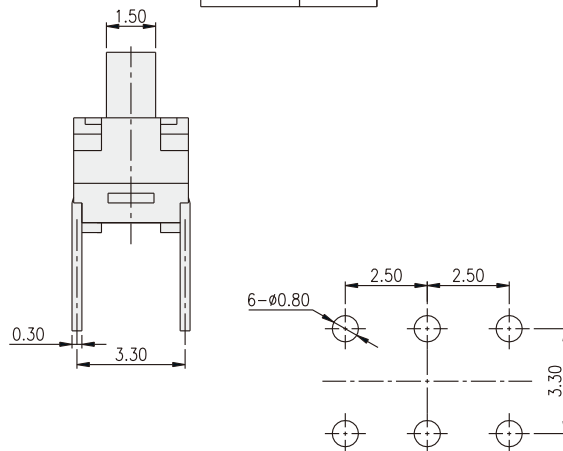
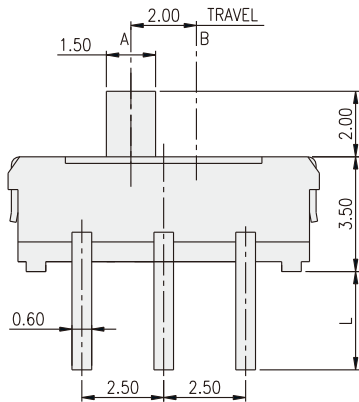
P.C.B. LAYOUT

SLIDE SWITCH

LSSA22

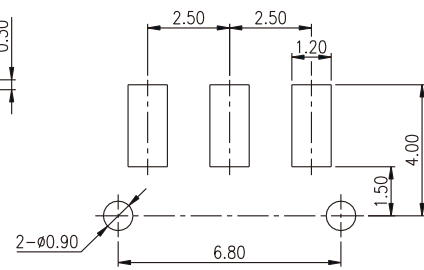
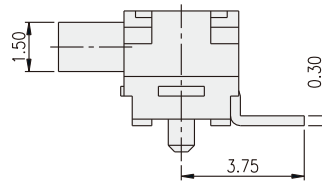
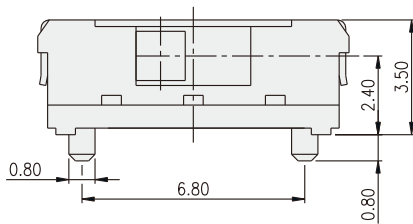
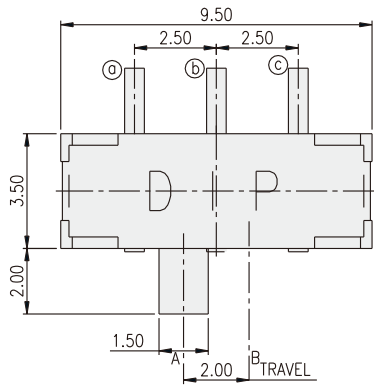


PART NO.	L
LSSA22	3.0
LSSA22S	0.90
LSSA22P	1.0
LSSA22R	1.20
LSSA22Q	1.50
LSSA22N	1.80
LSSA22M	2.20
LSSA22L	2.50



P.C.B. LAYOUT

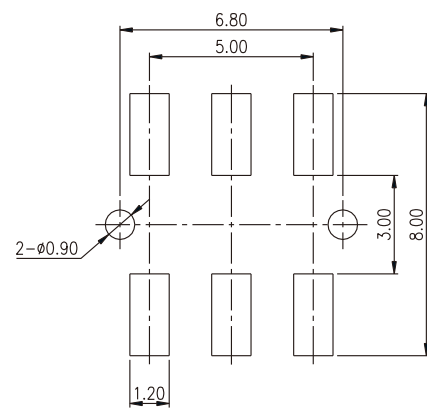
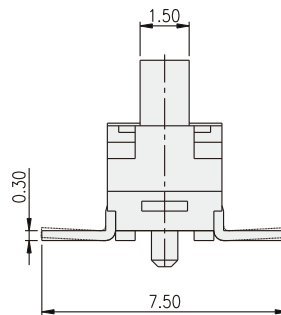
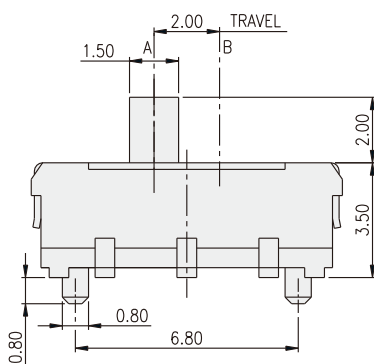
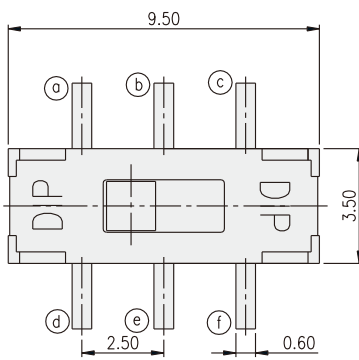
LSSM12-P



P.C.B. LAYOUT

SLIDE SWITCH

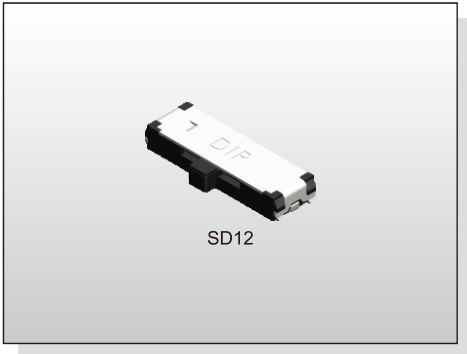
LSSAM22-P



P.C.B. LAYOUT

SLIDE SWITCH SD12 SERIES

Slide Type (1P3T)



FEATURES

- ※ 1.45mm height
- ※ 1P3T model
- ※ Single side recoil

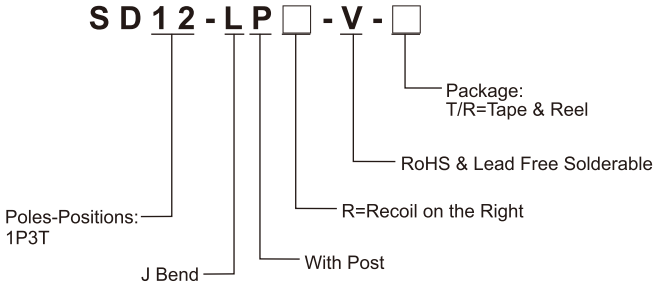
APPLICATION

- ※ Remote control
- ※ Consumer electronics
- ※ Instrumentations

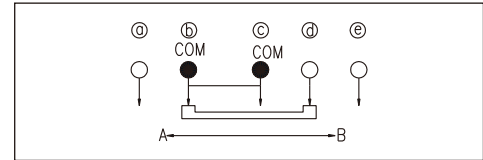
SPECIFICATION

Contact Rating	0.3A, 15V DC
Contact Resistance	1Ω max.
Insulation Resistance	10MΩ min. 100V DC
Dielectric Strength	100V AC/1 minute
Operating Force	150±100gf
Travel	1.5mm
Operating Life	5,000 cycles
Operating Temp.	-10°C ~ +60°C
Storage Temp.	-25°C ~ +85°C

HOW TO ORDER



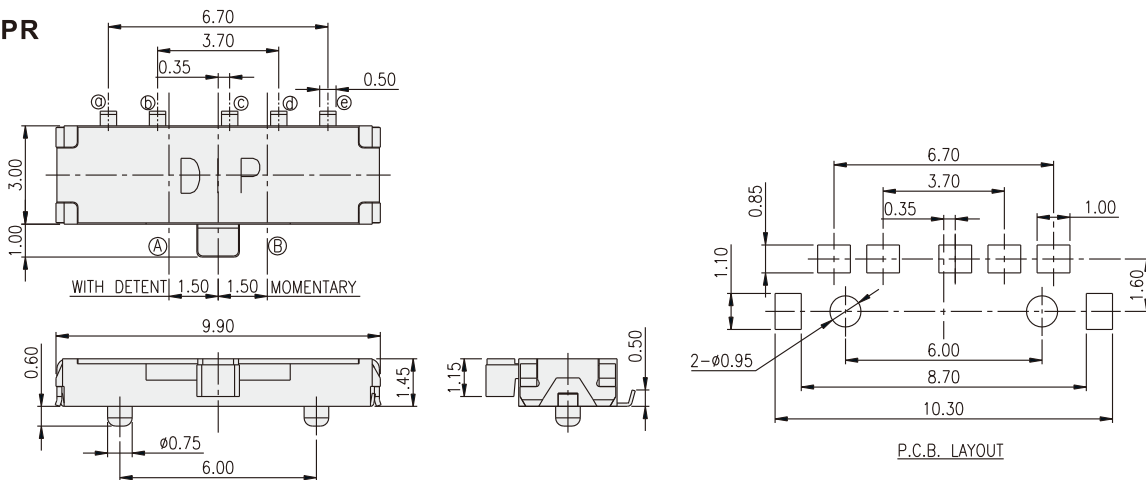
CIRCUIT



PACKAGE

<Tape & Reel>
3000 pcs

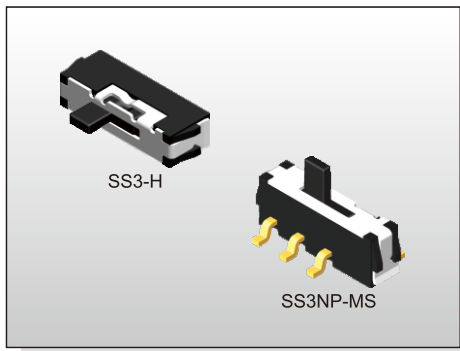
SD12-LPR



SLIDE SWITCH

SLIDE SWITCH SS3 SERIES

Recoil & SMT Type (1P2T)



FEATURES

- ※2.0mm height
- ※1P2T model
- ※Reflow solderable

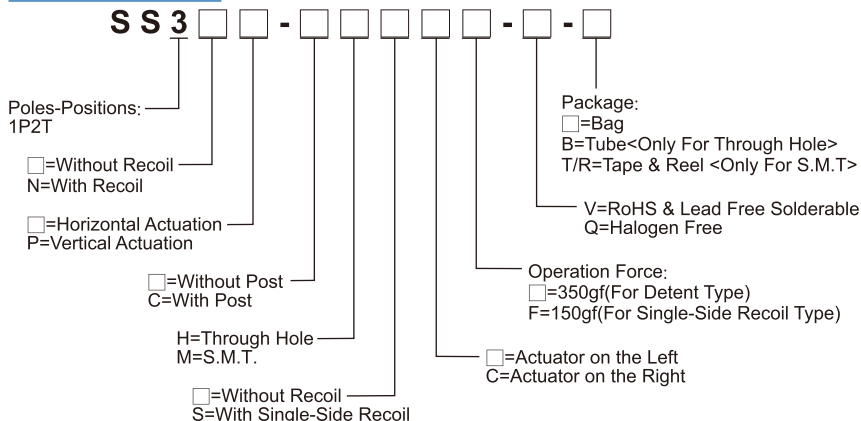
APPLICATION

- ※Remote control
- ※Consumer electronics
- ※Instrumentations

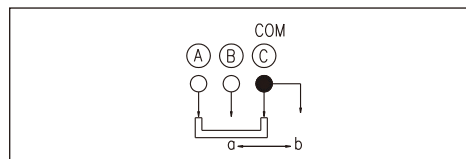
SPECIFICATION

Contact Rating	25mA, 24V DC
Contact Resistance	100mΩ max.
Insulation Resistance	100MΩ min. 500V DC
Dielectric Strength	500V AC/1 minute
Operating Force	100gf min./350gf max. (Detent Type) 150±100gf (Recoil Type)
Travel	2mm
Operating Life	10,000 cycles
Operating Temp.	-20°C ~ +70°C
Storage Temp.	-40°C ~ +85°C

HOW TO ORDER



CIRCUIT

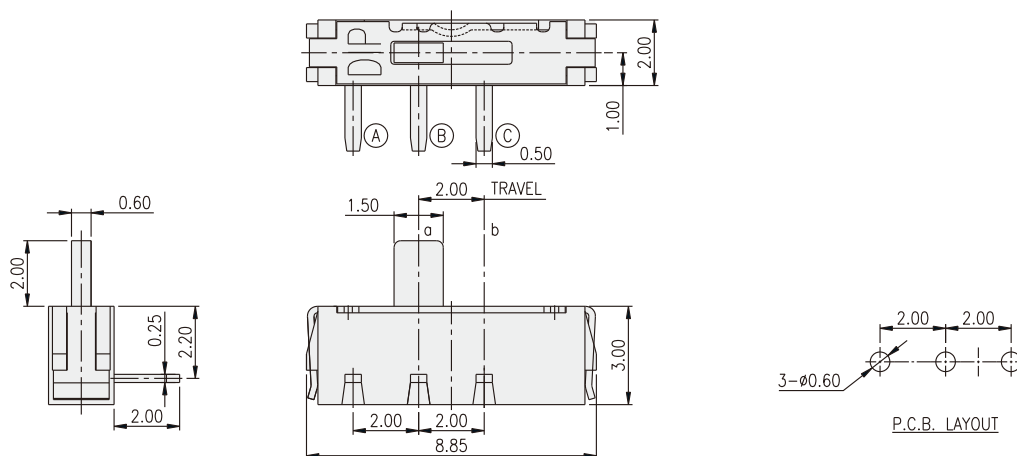


PACKAGE

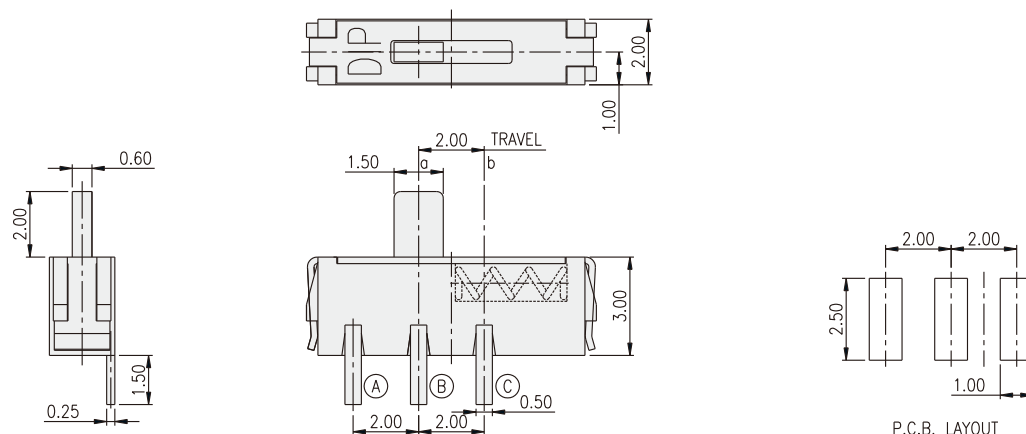
- <Bag>
2000 pcs
- <Tube>
53 pcs
- <Tape & Reel>
SS3-CM: 1900 pcs
SS3NP: 1000 pcs

SLIDE SWITCH

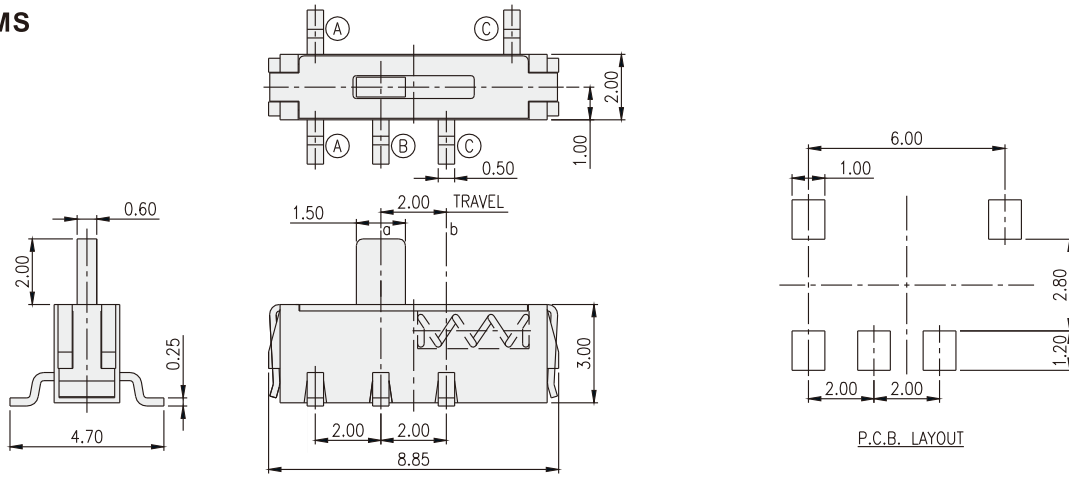
SS3-H



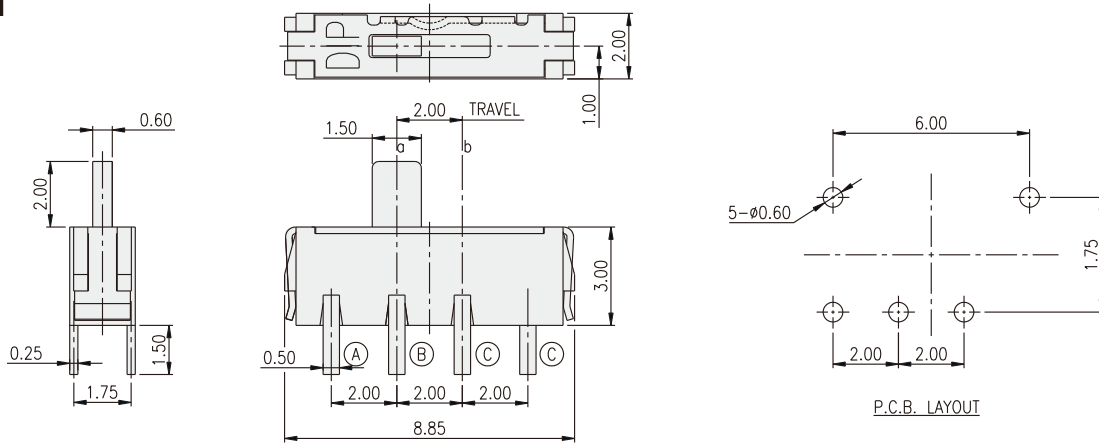
SS3N-MS



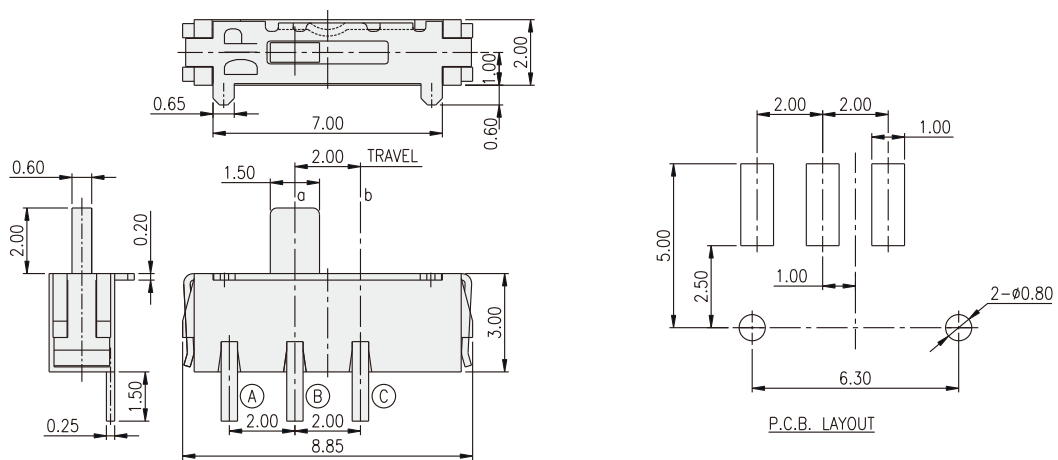
SS3NP-MS

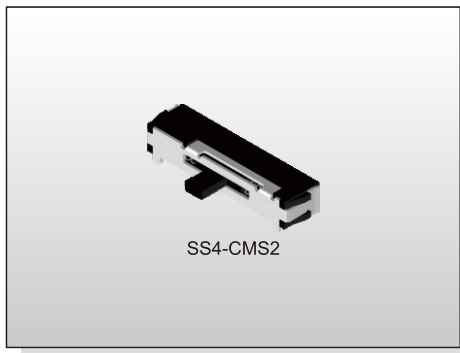


SS3P-H



SS3-CM





FEATURES

- ※2.0mm height
- ※1P3T model
- ※Reflow solderable

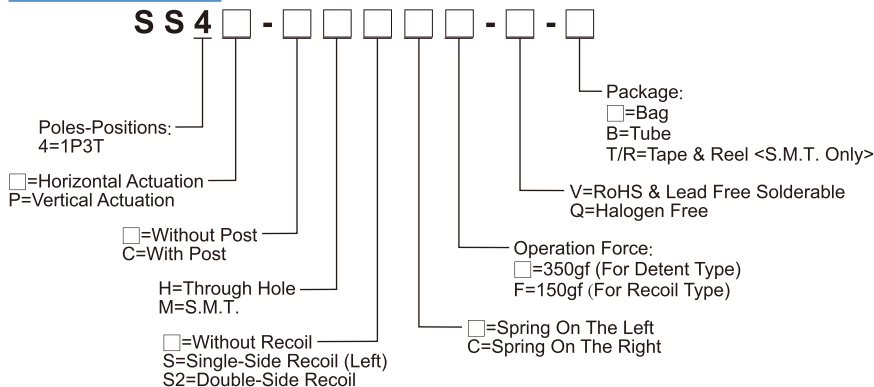
APPLICATION

- ※Remote control
- ※Consumer electronics
- ※Instrumentations

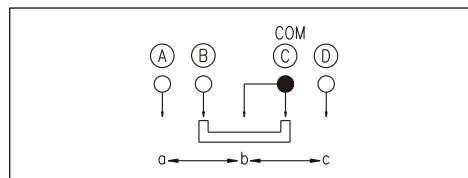
SPECIFICATION

Contact Rating	25mA, 24V DC
Contact Resistance	100mΩ max.
Insulation Resistance	100MΩ min. 500V DC
Dielectric Strength	500V AC/1 minute
Operating Force	100gf min./350gf max.(Detent Type) 150±100gf (Recoil Type)
Travel	2mm
Operating Life	10,000 cycles
Operating Temp.	-20°C ~ +70°C
Storage Temp.	-40°C ~ +85°C

HOW TO ORDER



CIRCUIT

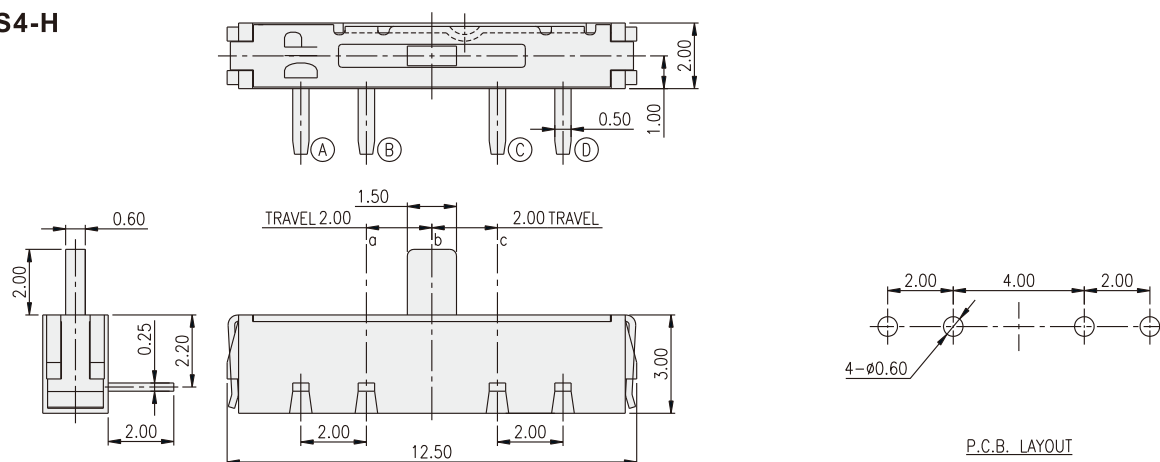


PACKAGE

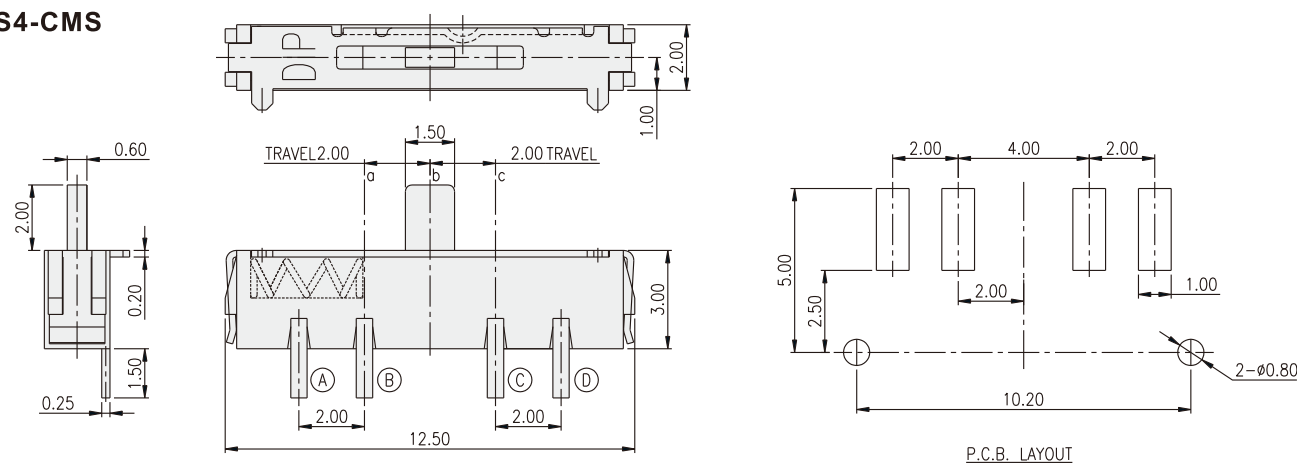
- <Bag>
1500 pcs
- <Tube>
38 pcs
- <Tape & Reel>
1900 pcs

SLIDE SWITCH

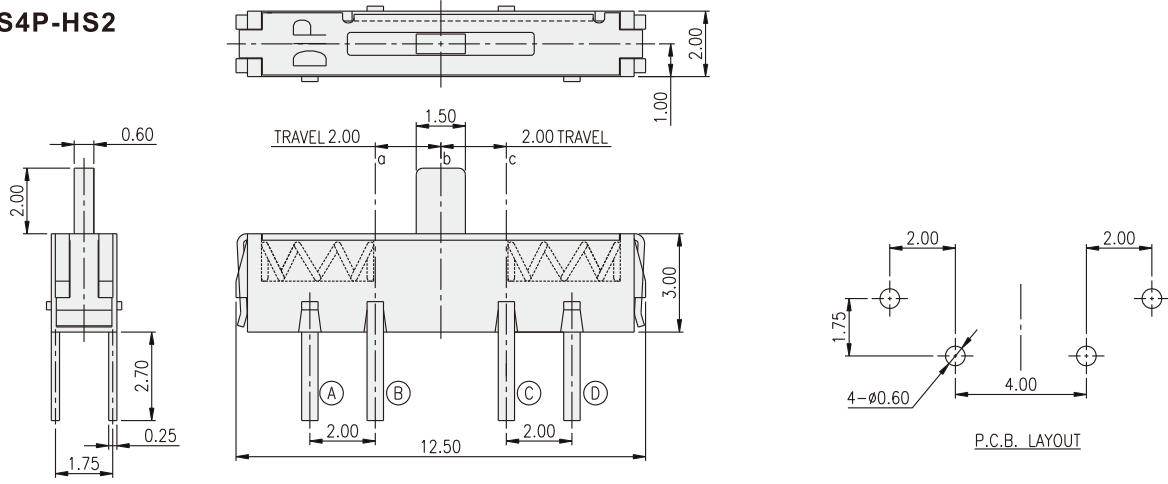
SS4-H



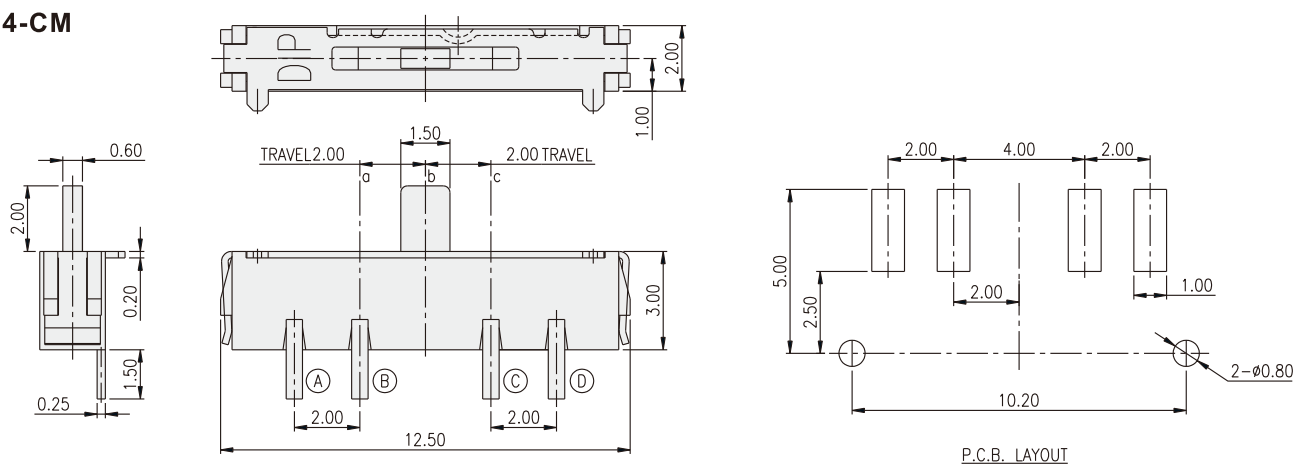
SS4-CMS



SS4P-HS2



SS4-CM

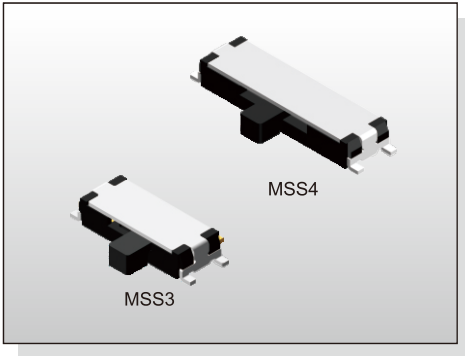


SLIDE SWITCH

SLIDE SWITCH

SLIDE SWITCH MSS(3)(4) SERIES

Miniature & SMT Type
(1P2T, 1P3T)



FEATURES

- ✘ 1.4mm height
- ✘ 1P2T, 1P3T models
- ✘ Stroke 1.5mm

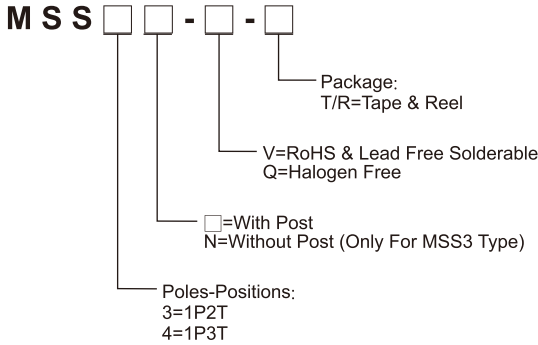
APPLICATION

- ✘ Remote control
- ✘ Consumer electronics
- ✘ Instrumentations

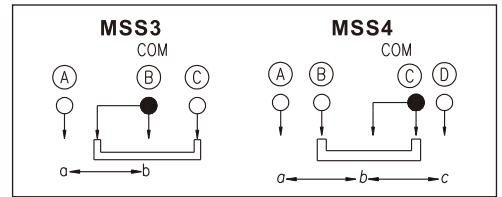
SPECIFICATION

Contact Rating	25mA , 24V DC	
Contact Resistance	70mΩ max	
Insulation Resistance	100MΩ min. 100V DC	
Dielectric Strength	100V AC/1 minute	
Operating Force	150±100gf (1.47N±0.98N)	MSS3
	A→B 150±100gf (1.47N±0.98N)	MSS4
	C→B 150±100gf (1.47N±0.98N)	
	B→C 200±150gf (1.96N±1.47N)	
B→A 200±150gf (1.96N±1.47N)		
Travel	1.5mm	
Operating Life	10, 000 cycles	
Operating Temp.	-20°C ~ +70°C	
Storage Temp.	-40°C ~ +85°C	

HOW TO ORDER



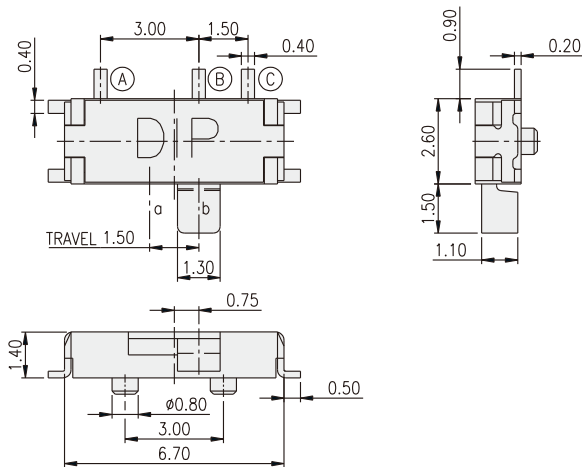
CIRCUIT



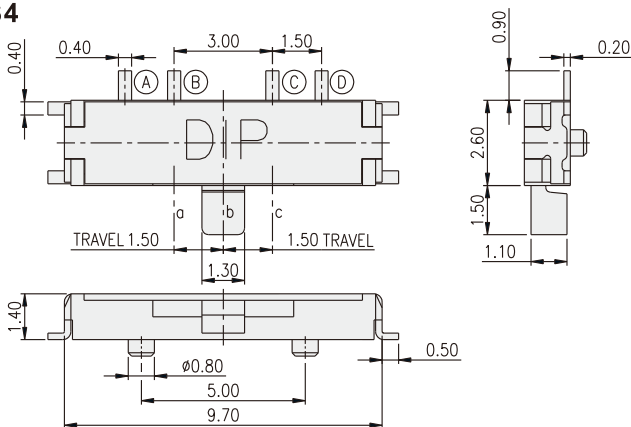
PACKAGE

<Tape & Reel>
2500 pcs

MSS3



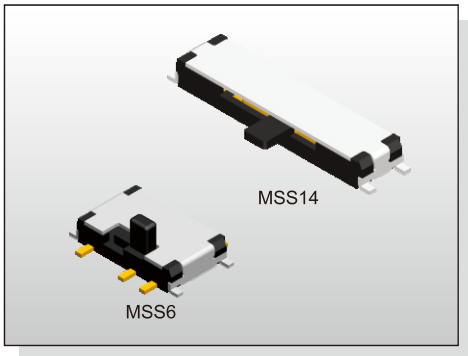
MSS4



SLIDE SWITCH

SLIDE SWITCH MSS(6)(14) SERIES

Miniature Travel & SMT Type (2P2T, 1P4T)



FEATURES

- ✧ 1.4mm height
- ✧ 2P2T, 1P4T models
- ✧ Stroke 1.5mm

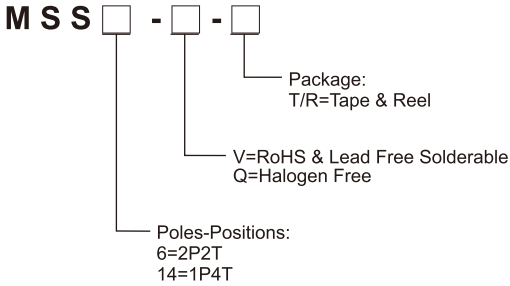
APPLICATION

- ✧ Remote control
- ✧ Consumer electronics
- ✧ Instrumentations

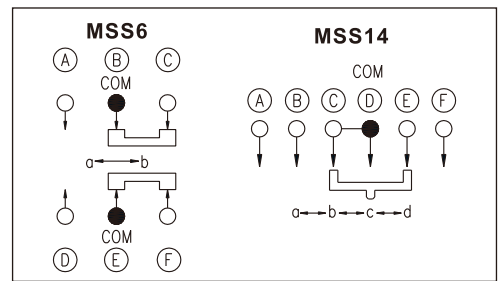
SPECIFICATION

Contact Rating	25mA , 24V DC	
Contact Resistance	70mΩ max	
Insulation Resistance	100MΩ min. 100V DC	
Dielectric Strength	100V AC/1 minute	
Operating Force	200±150gf (1.96N±1.47N)	MSS6
	A→B 150±100gf (1.47N±0.98N)	MSS14
	D→C 150±100gf (1.47N±0.98N)	
	B→C 200±150gf (1.96N±1.47N)	
	C→D 200±150gf (1.96N±1.47N)	
B→A 200±150gf (1.96N±1.47N)		
Travel	1.5mm	
Operating Life	10,000 cycles	
Operating Temp.	-20°C ~ +70°C	
Storage Temp.	-40°C ~ +85°C	

HOW TO ORDER



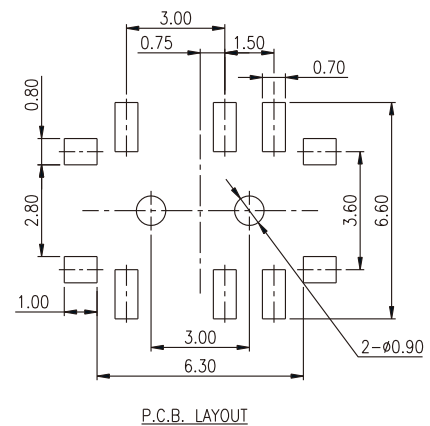
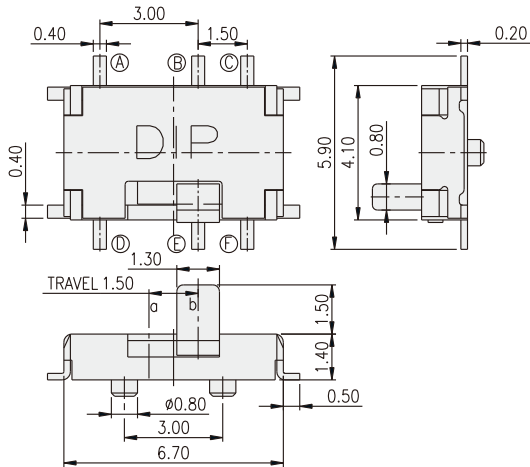
CIRCUIT



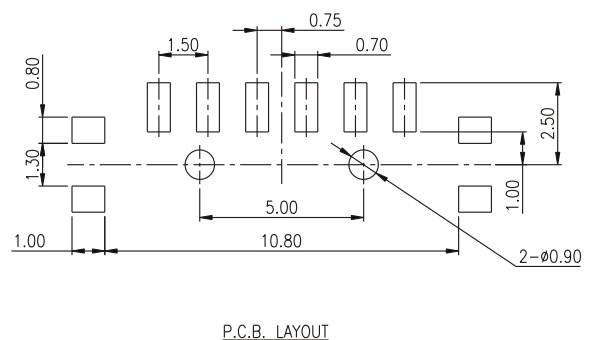
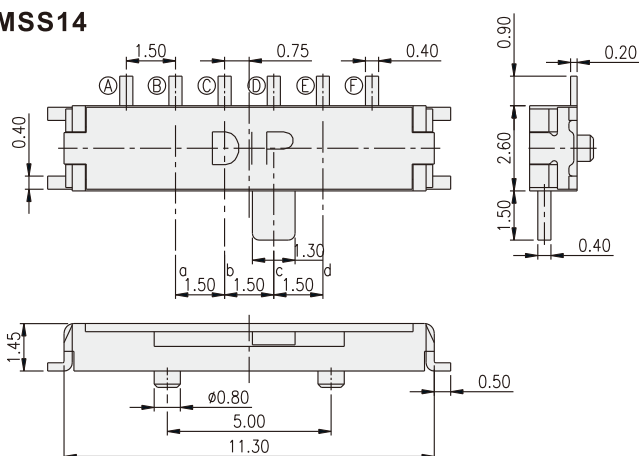
PACKAGE

<Tape & Reel>
MSS6: 1400 pcs
MSS14: 2500 pcs

MSS6

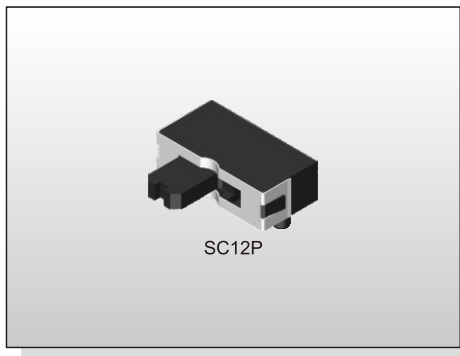


MSS14



SLIDE SWITCH SC12P SERIES

Slide Type
(1P2T)



FEATURES

- ✘ 3.0mm height
- ✘ Through hole type
- ✘ 1P2T model

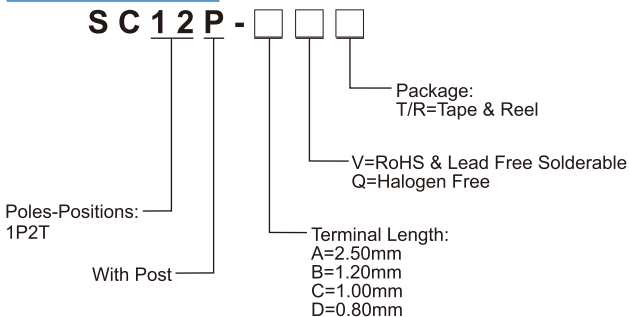
APPLICATION

- ✘ Remote control
- ✘ Consumer electronics
- ✘ Instrumentations

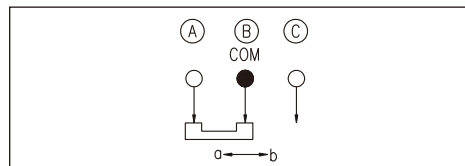
SPECIFICATION

Contact Rating	0.3A, 10V DC
Contact Resistance	50mΩ max.
Insulation Resistance	100MΩ min. 500V DC
Dielectric Strength	500V AC/1 minute
Operating Force	100~300gf
Travel	2.5mm
Operating Life	10,000 cycles
Operating Temp.	-10°C ~ +60°C
Storage Temp.	-20°C ~ +75°C

HOW TO ORDER



CIRCUIT

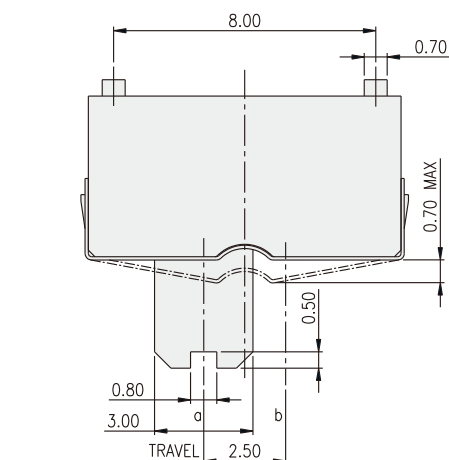


PACKAGE

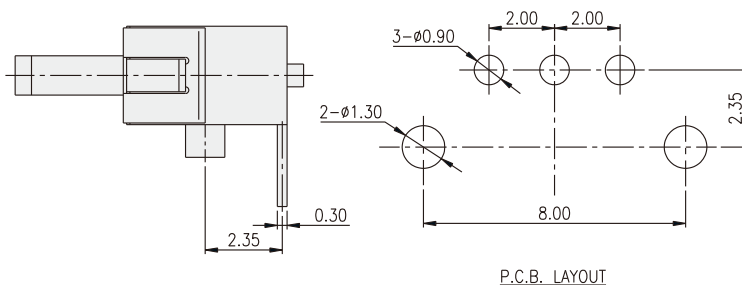
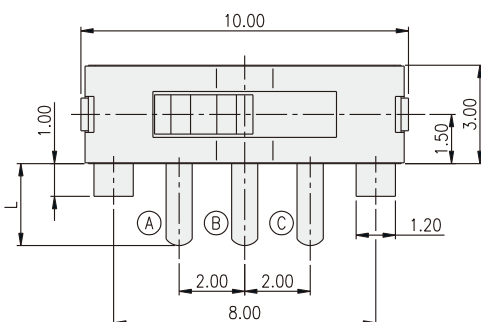
<Tape & Reel>
650 pcs

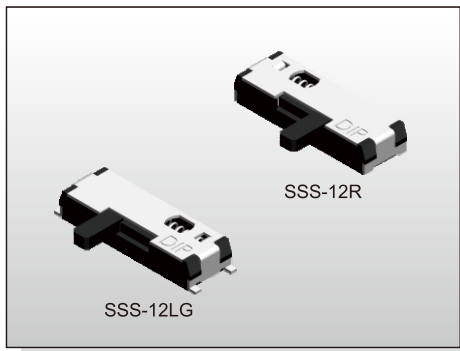
SLIDE SWITCH

SC12P



PART NO.	L
SC12P-A	2.50
SC12P-B	1.20
SC12P-C	1.00
SC12P-D	0.80





FEATURES

- ※2.0mm height
- ※1P2T model
- ※Stroke 2.7mm

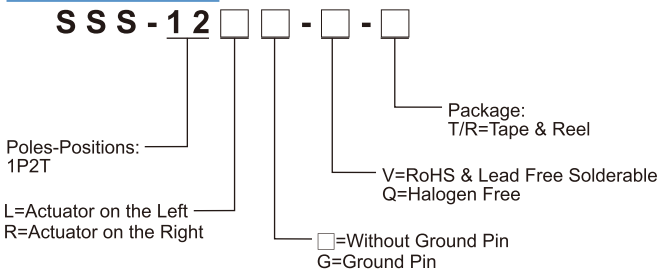
APPLICATION

- ※Remote control
- ※Consumer electronics
- ※Instrumentations

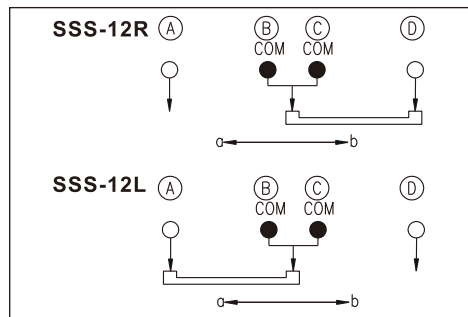
SPECIFICATION

Contact Rating	0.3A, 4V DC
Contact Resistance	70mΩ max.
Insulation Resistance	100MΩ min. 100V DC
Dielectric Strength	100V AC/1 minute
Operating Force	180±70gf
Travel	2.7mm
Operating Life	10,000 cycles
Operating Temp.	-10°C ~ +60°C
Storage Temp.	-20°C ~ +75°C

HOW TO ORDER



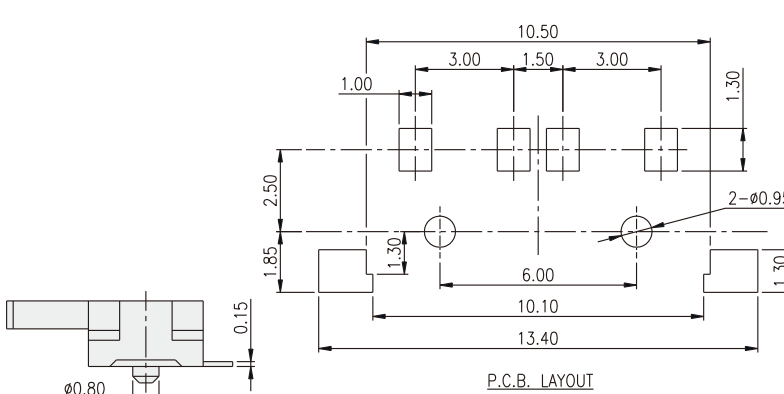
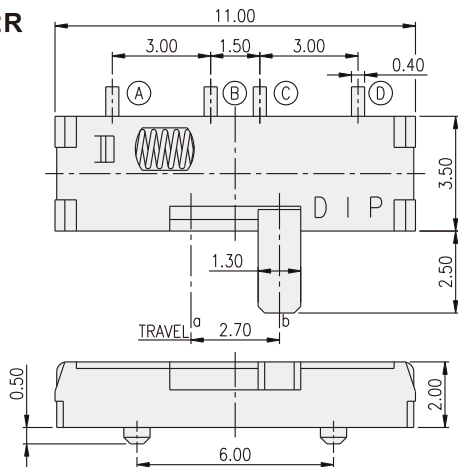
CIRCUIT



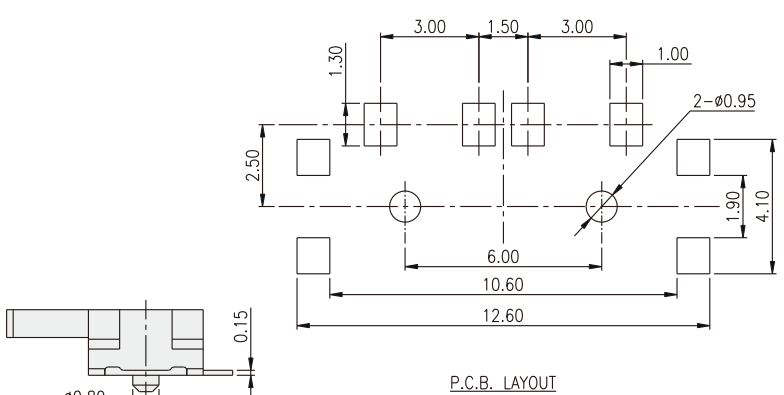
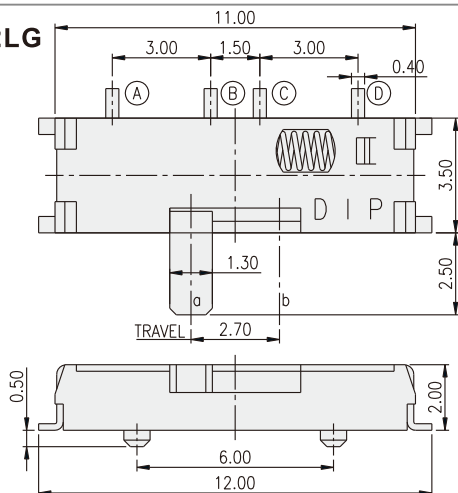
PACKAGE

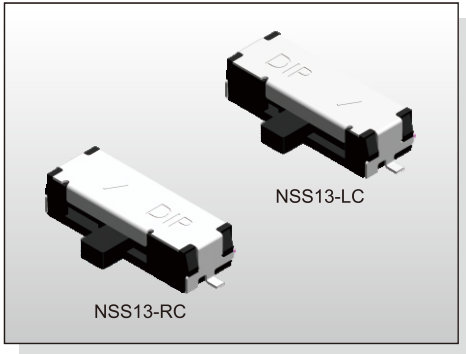
<Tape & Reel>
2000 pcs

SSS-12R



SSS-12LG





FEATURES

- ※ 1P3T model
- ※ Single-side recoil type
- ※ Reflow solderable

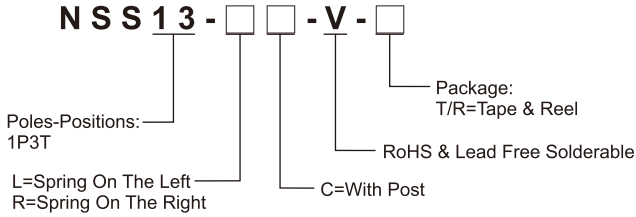
APPLICATION

- ※ Remote control
- ※ Consumer electronics
- ※ Instrumentations

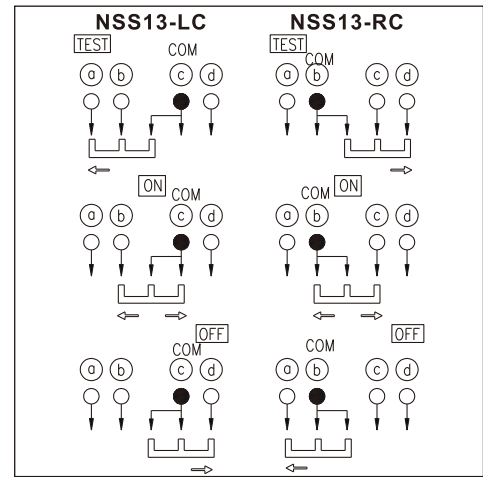
SPECIFICATION

Contact Rating	0.3A, 4V DC
Contact Resistance	100mΩ max.
Insulation Resistance	100MΩ min. 500V DC
Dielectric Strength	500V AC/1 minute
Operating Force	320±150gf (ON-TEST) 320±150gf (OFF-ON) 500+100/-200gf (ON-OFF)
Travel	2mm (ON-TEST) 4mm (OFF-ON) 4mm (ON-OFF)
Operating Life	10, 000 cycles
Operating Temp.	-20°C ~ +70°C
Storage Temp.	-40°C ~ +85°C

HOW TO ORDER



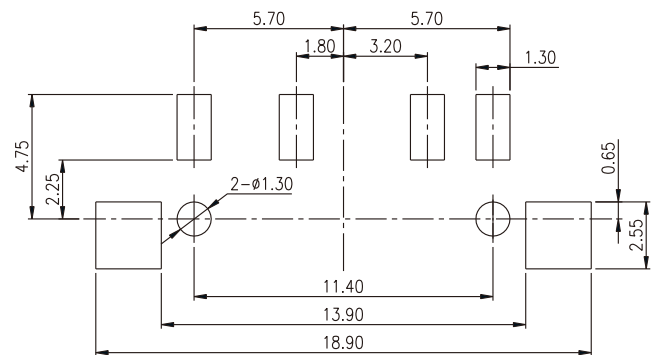
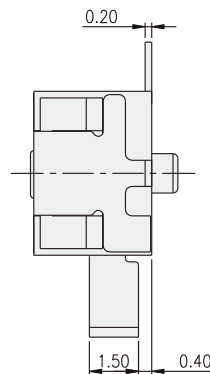
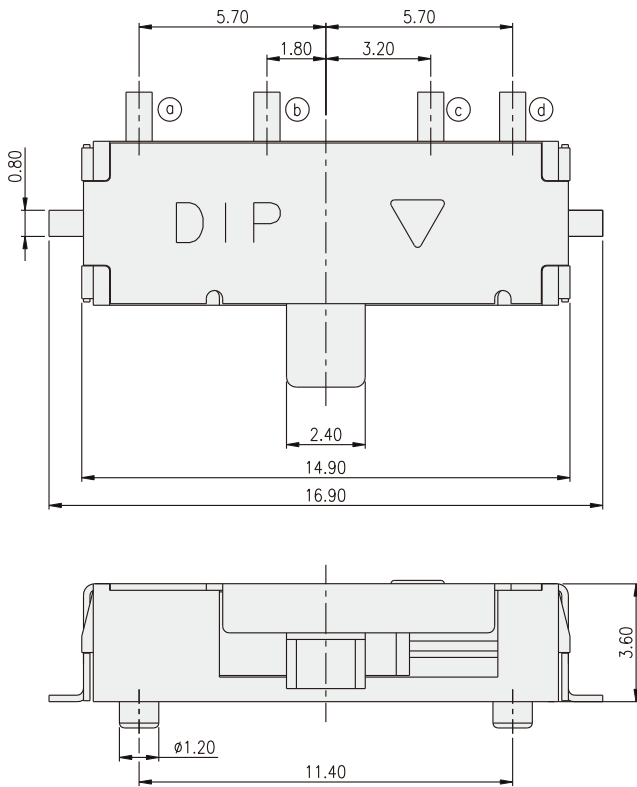
CIRCUIT



PACKAGE

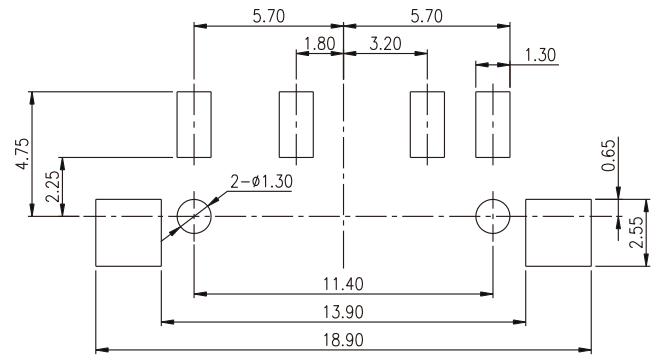
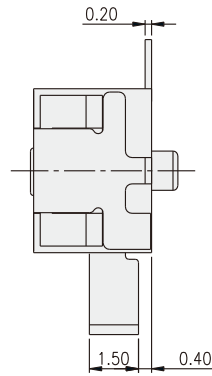
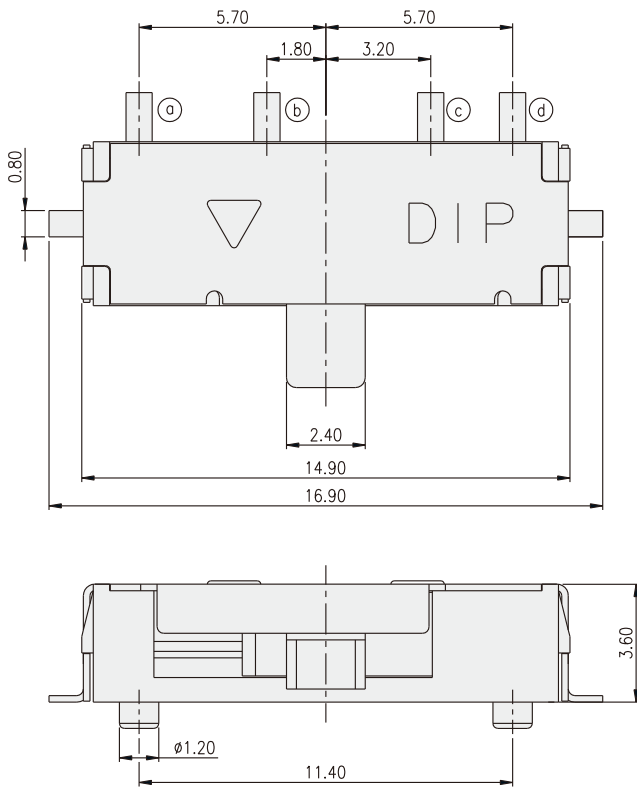
<Tape & Reel>
800 pcs

NSS13-LC

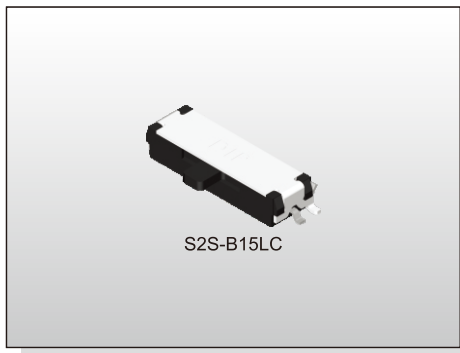


P.C.B. LAYOUT

NSS13-RC



P.C.B. LAYOUT



S2S-B15LC

FEATURES

- ※2.0mm height
- ※Double-side recoil
- ※Stroke 1.5mm

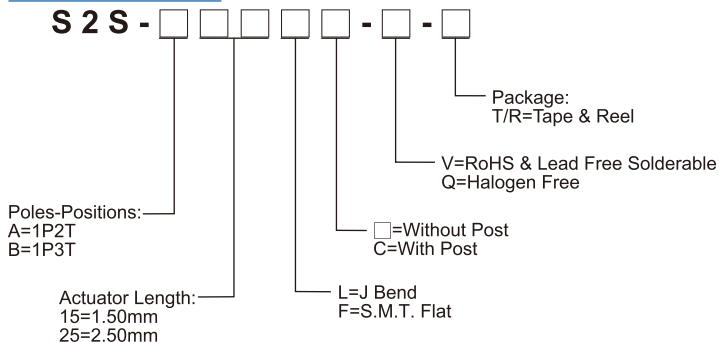
APPLICATION

- ※Remote control
- ※Consumer electronics
- ※Instrumentations

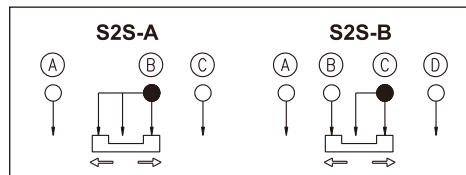
SPECIFICATION

Contact Rating	300mA, 4V DC
Contact Resistance	70mΩ max.
Insulation Resistance	100MΩ min. 100V DC
Dielectric Strength	100V AC/1 minute
Operating Force	100±50gf
Travel	1.5mm
Operating Life	50,000 cycles
Operating Temp.	-30°C ~ +80°C
Storage Temp.	-40°C ~ +90°C

HOW TO ORDER



CIRCUIT

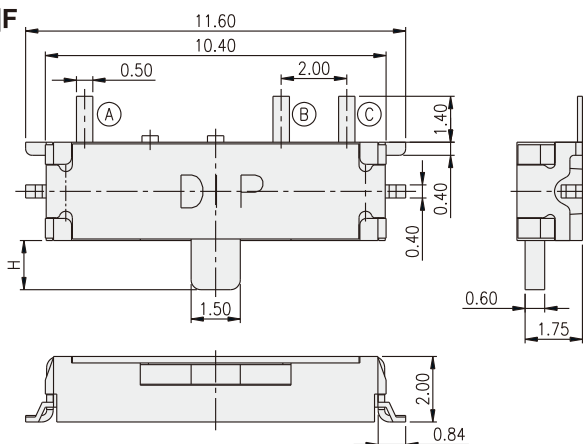


PACKAGE

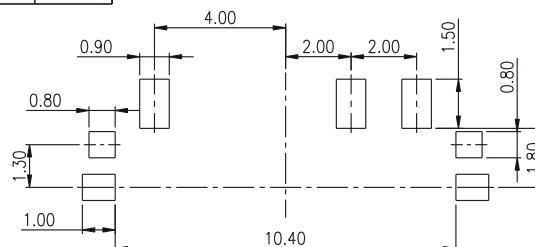
<Tape & Reel>
2000 pcs

SLIDE SWITCH

S2S-A [] [] [] F

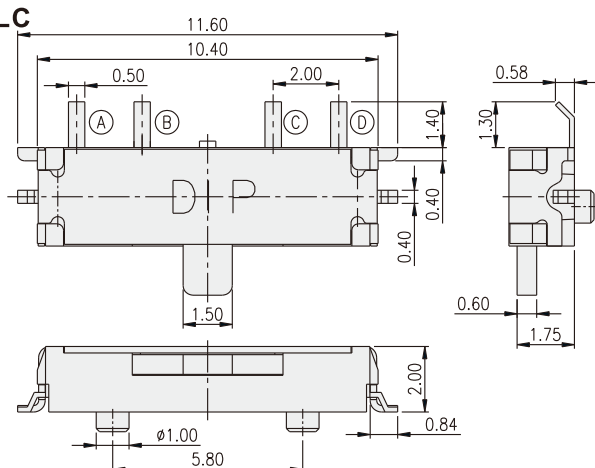


PART NO.	H
S2S-A15F	1.50
S2S-A25F	2.50

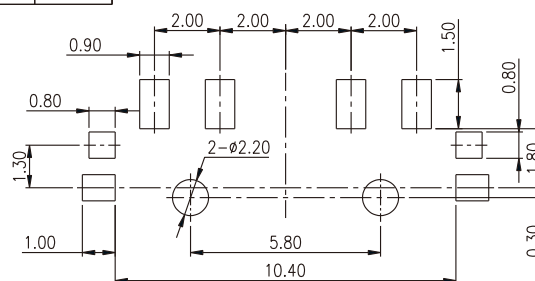


P.C.B. LAYOUT

S2S-B [] [] [] LC



PART NO.	H
S2S-B15LC	1.50
S2S-B25LC	2.50



P.C.B. LAYOUT